

Colorado City Record

10 Pages - 1 Section Plus Supplements Vol. 75 No. 62 Pub. No. 122800

P.O. Box 92, Colorado City, Texas 79512 Sunday, August 3, 1980

20¢



MICHAEL SWANN, left, catcher for the Colorado City Rangers, tags out a runner at home plate in the game against Sidney here Tuesday. The Rangers went on to win the game 8-2. However, they were eliminated by two heart-breaking losses, one to Brady 3-2 and one to Sweetwater's Flintkote Cats 6-5.

"Never Too Late" To Open Here Aug. 14

Colorado City Playhouse will present "Never Too Late," a comedy by Sumner Arthur Long, August 14, 15, 16, 21, 22 and 23.

This three act play takes place in Calverton, a small town in Massachusetts and revolves around Harry and Edith Lambert, a middle-aged couple who unexpectedly find themselves expecting another child after more than twenty years.

The Lamberts' daughter, Kate, and her husband, Charlie, live in the same house with the Lamberts.

Doctor James Kimbrough and his wife, Grace, are family friends and confidants.

As the plot unfolds,

Harry, a strong minded pillar of the community, becomes the talk of the town and finds himself on the receiving end of numerous practical jokes.

Edith is swept away in

See PLAY Page 2



HARRY LAMBERT, portrayed by Kent Wornack, advances on his son-in-law, Charlie, played by Mike Brooks (right) in the heat of an argument in this scene from the upcoming Colorado City Playhouse production of "Never Too Late." Box office opens August 11 at 1 p.m. and the play will be presented August 14, 15, 16, 21, 22 and 23 with curtain time at 8 nightly. For advanced reservations, phone 728-3491.



THE YARD OF MR. AND MRS. G.D. FOSTER at 1425 Dallas has been named the "Yard of the Month" by the Colorado City Area Chamber of Commerce Manager Starr Greenblatt, right, presents a plaque in commemoration of the selection. The "Yard of the Month" sign will remain in the yard for the next month.

117 Register For Draft

A total of 117 men 19 and 20-year-olds had registered for the draft in Mitchell County as of the close of registration Friday afternoon.

Last week, 57, 20-year-olds registered in the county and this past week, there were 60 men who are 19 who registered.

This was the first registration for military service since the start of the All Volunteer Force in 1973.

The system of registration was set up so that persons born in the months of January, February and March registered on Monday. Persons born in April, May and June registered Tuesday and persons whose birth dates fell in July, August and September signed up on Wednesday. Those who were born in October, November and December registered Thursday.

The draft was stopped and the All Volunteer Force went into effect after the Viet Nam war.

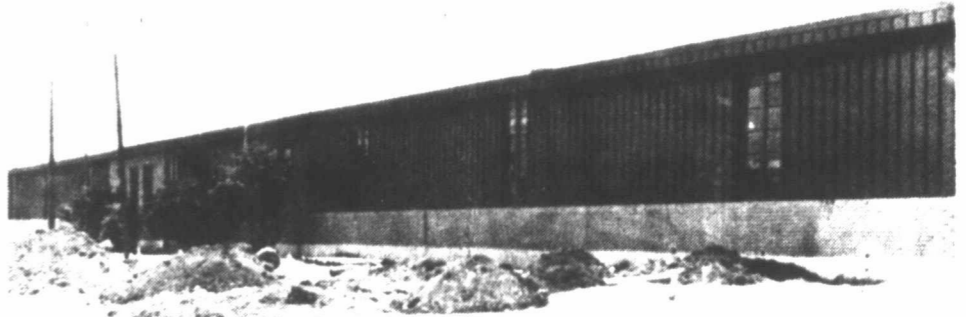
A report from the Veterans Administration Regional Office states that "while most Viet Nam veterans now agree with a majority of the public that America should have stayed out of Viet Nam, these same

veterans are glad they served their country and would serve again if asked to."

This was determined by a survey ordered by President Carter "...to better understand some of the issues that will continue to confront the Viet Nam Era veteran.

The survey reflects strong patriotic feelings on the part of veterans, despite disillusionment with the war and a great

See DRAFT Page 9



LORRAINE SCHOOL is undergoing renovation as approved by a bond issued last Spring. Shown here is the east exterior of the school.

Band Drive To Begin

Colorado High School Wolf Band will have their annual fund drive by selling subscriptions to the Colorado City Record Tuesday, Wednesday and Thursday.

This will be the 19th consecutive year in which the band has conducted the drive which is the group's major money making project of the year.

By earning money on commissions and cash bonuses, the band finances educational trips, purchases special equipment and develops music projects.

For each subscription sold, the band gets a cash commission. Cash bonuses are awarded daily for volume sales. Individual students working in teams get cash bonuses for leading in daily sales.

See BAND DRIVE Page 2



THE MITCHELL COUNTY Public Library now has the modern Kukan Explorer Microreader and microfilm copies of the Colorado Record published since 1905. This versatile microfilm reader and equipment were donated to the library by Mr. and Mrs. Lee Jones, Jr., of 341 Elm, Colorado City. The microreader easily adapts to roll film or microfilm format materials. Its magnifiers can be quickly changed by simply inserting one of four different lenses. The image is projected on a large non-glare screen attached to the compact reader.

Athletes To Report Wednesday

Attention athletes planning to play football with the Colorado City Wolves for the coming year. Coach Tom Ramsey has announced that there will be a team meeting Wednesday at the field house at 5:30

See ATHLETES Page 2

Drink Tax Received

The sale of mixed drinks in taxes during the second quarter of 1980 pushed the yearly total during the first six months to nearly a half-billion dollars, State Comptroller Bob Bullock announced Friday.

He said \$45.7 million in mixed drink taxes have been collected during the six month period.

See TAXES Page 7

Lorraine Meet Set

The Lorraine City Council will discuss the city's tax rate during their regular meeting at 6:30 p.m. Tuesday.

Also, on the agenda is an electric line connection at the sewer plant.

Chamber Meeting Slated

The Colorado City Area Chamber of Commerce will have its monthly board meeting at 7 p.m. Monday in the Chamber offices.

On the agenda will be consideration of the need for an Interstate 20 low water crossing.

There also will be a report on who has been selected as speaker for the annual farm tour

See CHAMBER Page 9

60 Day Dove Season Here

Dove season for Mitchell County and the north zone will be Sept. 1-Oct. 30, a straight 60-day season representing a change from the split season used last year.

Dove hunting is big business in Mitchell County as many hunters come into the county.

Game Warden Ronnie Aston said it appears now that hunting will be poor due to the dry conditions. There is no grain so dove will have to depend on sunflowers and natural fruit, he noted.

Because of the dry

conditions, tank hunting will be good, he noted.

Dove Program Leader Jim Dunks advised the Texas Parks & Wildlife Commission at a public meeting in Austin Wednesday that the split hunting season for mourning doves in the north zone has received opposition from some hunters who contend that they are penalized by having the winter season. "The winter season in the north zone will remain controversial, but it appears that the straight season will

See DOVE Page 9

Town Talk

by MAC McKINNON

The Chamber of Commerce deserves to be congratulated on the success of the American Junior Rodeo Association rodeo held here last week.

There were large crowds each night with a very large crowd there Saturday night. Everything went off great and those who worked so hard did a great job.

A special work of thanks should be expressed to Travis Cawthron, Kenneth Beasley, Ronnie Wagner, Squirrely Northcutt, Bobby Moody and the many others who worked the events and ran the show. Of course, there were many other workers involved and they deserve thanks.

I believe everyone was impressed with the new arena as there were a great number of compliments and no complaints. Those here from out of town were very impressed with the facility.

Travis Cawthron is the man to thank for the arena as he has spent untold hours laboring and worrying over it. Most of the welding was done by the Dossey Brothers and they did a great job.

Bobby Lemons and a number of others also helped take care of the great many details involved. Several people said it couldn't be done but the arena is there to show what our community can do.

xxx

The census count here surprised a number of people as it was thought Colorado City had close to 6,000 people and had gains since 1960. However, the

See COLUMN Page 2

Couple Aides Education

By DONNA WATSON

Over the past few years, Mitchell County residents have been the recipients of numerous educational items through the generous goodwill of two of the county's outstanding citizens, Mr. and Mrs. Lee Jones, Jr.

Jones and his wife, Nona, have taken an active interest in the welfare and education of youth in Mitchell County.

Because of that interest, Jones, a historian, author and lawyer, donated over 100 copies of "Lore and Legend," a book he and Mrs. Jones compiled depicting the history of Mitchell County, to the Colorado Independent School District.

Mitchell County Public Library was given copies, as were the libraries in Lorraine and Westbrook.

In addition to the schools, Colorado City Historical Museum, Chamber of Commerce, Colorado City, Root Valley Fair Lodge, Claxton Lodge, Association of Retired Persons, Institute of Texas Cultures in San Antonio, Mitchell County Bicentennial Commission and Mitchell County Historical Commission were recipients of the book.

Jones researched and authored a second historical study entitled "Red Raiders Retaliate," the story of Lone Wolf (Gipagho) The Elder, famous Kiowa Indian Chief.

See EDUCATION Page 2



JIM SIKES, 44, former administrator of the West Coke County Hospital District in Robert Lee, is now the administrator for Root Valley Fair Lodge here. Sikes is a native of Waco, a graduate of Baylor and Tufts University. He was a clergyman for 10 years before entering the health care field seven years ago. He has spent the past six years in administration.

AUGUST 3 1980

ATHLETES, From Page 1

p.m. During this meeting, football gear (shoes, socks, etc...) will be issued. He also announced that players need to come by and pick up a physical form and take it to the family physi-

cian for a physical. There will not be a physician to give physicals like in the past. All boys from freshmen through seniors wanting to play must attend this meeting and have a physical.

MEMBER 1980

TEXAS PRESS ASSOCIATION

Colorado City Record

136 E. 2nd 728-3413 728-3414

MAC McKINNON Publisher

Published every Sunday and Thursday morning by Colorado City Record, Colorado City, Texas. Second class postage paid at Colorado City, Texas. Mailing address, Colorado City Record, P.O. Box 92, Colorado City, Texas 79512.

Subscription rates in Mitchell County are \$12.50 per year and outside Mitchell County \$15.00 per year.

Any erroneous reflection upon the character, standing or reputation of any person, firm or corporation will be corrected when such occurs in the columns of this newspaper and is brought to the attention of the management.

The Colorado City Record is not responsible for copy omission, typographical errors or any unintentional errors that may occur other than to make proper corrections after being brought to attention. Advertising is accepted on this basis only.

DEADLINES:

Deadlines are necessary in order to publish accurate facts with as few typographical errors as possible. Your cooperation will be appreciated.

Deadline for Thursday's paper for news & advertising (including Classified Ads) is 5 p.m. Tuesday. Deadline for Sunday's paper for news & advertising (including Classified Ads) is 5 p.m. Friday.

COLUMN, From Page 1

census shows that the population has dropped slightly, from 5,227 in 1970 to 5,174 now. The county population also showed a drop, from 9,606 in 1970 to 8,606 now. It was thought by some that the county would show an increase due to the large number of people now living at the lake. This census report was of pre-preliminary figures and a preliminary will be issued later this year. A final report will not be made until sometime next year. Incidentally, the winners in the City National Bank population guessing contest will not be announced until after the preliminary report is made.

EDUCATION, From Page 1

Several copies of this book were donated to the Mitchell County Library, Colorado City and Loraine Schools and Mitchell County Historical Commission. As a historian, and in an effort to preserve a history of the county, Jones also came into possession of a scrapbook kept by pioneer Coloradan Jim Sherwin. The book covered the time period from 1882 until Sherwin's death a few years ago. Because of its age, the scrapbook was not in a condition to allow persons to enjoy all the county history it contained. Through the efforts of Jones and his wife, the scrapbook was revitalized in a form which allowed it to be placed in and donated to the public library for enjoyment. In his pursuit of the preservation of history for the enlightenment of the youth of the community, Jones donated many hours of legal work and money to save and preserve "The Heritage House." This house, located at 425 Chestnut, was listed in the National Register through the efforts of Jones and his wife. The house will be restored as nearly as possible to its original state and used as a museum to preserve historical artifacts and records. Jones has also researched the history of early day Colorado City Hotels. This information was compiled and placed in the Permian Historical Annuals.

BAND DRIVE, From Page 1

In the 18 year period, the band has been holding the subscription drive the band has earned more than \$18,500. Last year, the band earned \$1,450 in sales commissions and cash bonuses, the second highest total ever. Highest amount was in 1977 when the band earned \$1,500 in the three-day period the drive was held. Regular subscription rates are in effect for the band drive: -\$12.50 per year for in-county residents. -\$15 annually for out-of-county addresses. -\$11 for a nine-month college subscription, Sept. 1-June 1. Purchaser of a 12-month in-county subscription saves \$2.30 of the newstand price of 20 cents per issue for the year. All subscriptions sold by the band become effective Sept. 1, allowing time to process and complete paperwork. For those who are already subscribers, the year subscription purchased from the band will be added on to the end of the existing subscription.

PLAY, From Page 1

the romance of having a baby and Kate is forced into the undesirable role of family housekeeper. Despite his efforts to keep out of the path of his marauding father-in-law, Charlie always winds up the fall guy in any situation. This delightful comedy is entertainment for the entire family. The cast includes one of the Playhouse favorites, Kent Womack, as Harry Lambert. This veteran stage performer thrilled audiences as Elwood P. Dowd in "Harvey." Cecile Hubbard makes her debut in this riotous comedy as Edith Lambert. Mike Brooks characterizes Charlie and Kate is aptly performed by Elaine Fugate. Doctor James Kimbrough is portrayed by Jon Millington and Grace Kimbrough is characterized by Lisa Wilkerson. The cameo role of Mr. Foley, a carpenter hired to remodel the Lamberts' bathroom, is portrayed by Playhouse favorite, Porter Richardson. The role of Mayor Crane is acted out by Greg Chaney and a policeman, thrown into the middle of this crazy situation is characterized by Tommy Baker. Tickets go on sale August 11 at the box office for \$3.50. Advance reservations may be made by contacting the box office Monday through Wednesday between the hours of 1 p.m. and 5 p.m. at 915-728-3491. Box office will also be open between the hours of 1 p.m. and curtain time daily during the run of the play.

APOLOGY, From Page 1

"The request was made to a small group of 20 to 25 people and was not broadcast, printed or put over a public address system," McKinnon said. "It was implied that Midge and Loyd Ledbetter did not support the softball program when in fact they did through donations for tickets for a drawing and as members of the Chamber of Commerce which sponsored a hot dog supper for the tournament. "The original intent of the situation that resulted in the request was to get teams to patronize eating establishments that did advertise in the program." McKinnon also noted in the apology that he directed teams to the Dairy Queen here during the tournament as well as during the regular season when many out-of-town teams came here to play. A copy of the apology was mailed to the coaches and managers concerned. In his resignation, McKinnon said he was resigning effective immediately because "I believe I can no longer be a positive influence as a director. However, as a member, I am still 110 per cent behind the Chamber." After resigning, McKinnon presented a check to the Chamber for \$100 to reimburse the Chamber for the hot dog supper sponsored by the Chamber for the tournament. McKinnon noted that some people had been complaining about the Chamber sponsoring the hot dog supper, although almost all board members had voted to do so. McKinnon said he did not want any hard feelings over the hot dog supper so he would pay for it himself.

ALOE VERA

ALVA H INTL DIVISION

- Receive comprehensive training
- Market excellent products
- Enjoy tax benefits
- Determine your own income

Contact: DOYLE HERRING

P.O. Box 1898 Abilene, Texas 79604 (915) 677-0380

Two Lives?



Rev. G.G. Flores
Pastor
Christian Temple Church

"The life also of Jesus...made manifest in our mortal flesh." (II Cor. 4:11). We may have two lives. First, our own life inherited from our parents and given to us by our Creator. That life has some value, but how soon it fails and feels the forces of disease, decay and approaching death. But we may have another life, or rather the Life of Another the life also of JESUS. How much more valuable and transcendent is this life? It has no weakness nor decay nor limitation. Jesus has a physical life as real as ours, and infinitely greater; He is an actual man with a glorified body and a human spirit, and that life belongs to us just as much as His precious blood that He shed and the spiritual grace He bestows. He has risen and ascended as our living Head and He is ever saying to us, "BECAUSE I LIVE, YE SHALL LIVE ALSO." Why then should we limit Jesus to what we call the Spiritual realm? His resurrection body has in it all the vitality and strength that our mortal frame can ever need. Some day He is to raise us from the dead by virtue of that resurrection life. Why should it be thought such a strange thing if faith may now foredate its inheritance and claim in advance part of its physical redemption—a little handful of the soil of that better country; just as a seed is to bring forth more glorious fruit. This was Paul's experience. Why may it not be ours? There was a day at Lystra when under a shower of stones the Apostle Paul's life was ebbing out and he was left for dead outside the city gates. Then it was that the LIFE ALSO OF JESUS asserted itself, and, calmly rising up in the strength of his MASTER, he walked back through the streets whose stones were stained by his own blood and quietly went on his way preaching the Gospel as if nothing had happened. Yes, the secret of this life is to live so close to Jesus that we can breathe His very breath and ever be in touch with His Life and Love. Healing is in His Living Body, and we receive it as we abide in Him, we keep it only as we abide in Him, for you see, there are miraculous possibilities for the one who depends on Him. So let us live by Him.

- Sponsored By The Following Business Firms:
- Bodine Bros. Dairy**
 - First Baptist Church**
 - Colorado City Record**
 - Eddie's Of Colorado City**
 - Kiker-Seale Funeral Home**
 - Whirlpool Ramage Appliance**

For A Classified Ad That Pays Phone 728-3413

Announcement

William R. Jones, D.O.

Announces The Opening Of His Medical Office For General Practice

505 Chestnut
Colorado City, Texas 79512

Office Hours Telephone
By Appointment 915/728-5244

Will we get a large increase in insurance premiums when our teenager starts driving the family car?

Regrettably, yes. Young drivers, particularly young men, cause a disproportionate number of accidents, and consequently rate a higher premium. In 1972, for example, drivers between 15 and 24 made up 20 percent of the driving public but accounted for 32 percent of all fatal accidents. Your daughter may also be rated higher, but her increase will be more modest.

If your son or daughter has successfully completed an approved driver education program, he or she is probably eligible for a premium discount. Also, if your teenager is a good student, as indicated by his high school or college grades, he may be eligible for still another discount. Your local independent agent can help you obtain the discounts, which may be substantial.

YOUR Independent AGENT SERVES YOU FIRST

BOB RATLIFF INSURANCE

152 Walnut 728-5371

money money money

- SAVE IT...
- BORROW IT...
- PAY YOUR BILLS WITH IT...
- RETIRE ON IT...

All Through

The City National Bank
Member FDIC

We have a way with money. Our many financial services include checking and high interest savings accounts; computer-fast deposits, withdrawals. See us!

THE CITY NATIONAL BANK COLORADO CITY, TEXAS

FDIC

VISA

228 Elm 728-5221

Phone 728-3413 or 728-3414

GREEN B MASHED BROCCOLI

SAL Children Adults

Vill Snyder

SHU We

WHI

OPEN 7:30

Phone 728-3413

Save

CHP CO

\$28

Unique w... those w... selectio... mounie... include... Carlog... lockets... which c... finish c...

Go

Nige

189 Pin

Phone 728-3413 or 728-3414

Great results with classified ads

DINNER OUT

TURKEY & DRESSING
(With All The Trimmings)

ROAST BEEF

CHICKEN FRIED STEAK
SERVED WITH

GREEN BEANS BUTTERED SQUASH
MASHED POTATOES CREAM GRAVY
BROCCOLI APPLE TARTS

SALAD BAR 6 - 9 P.M. NIGHTLY
Children (Under 12) \$2.75
Adults \$3.75

NUBBIN ROWE - MANAGER

Villa Restaurant
Snyder Hwy. 728-3367

"SHUGART COUPON"
Wed., August 6

25

WALLET SIZE
COLOR PORTRAITS
99¢

ASK For Our
FREE 8 x 10
OFFER

Extra charge for GROUPS

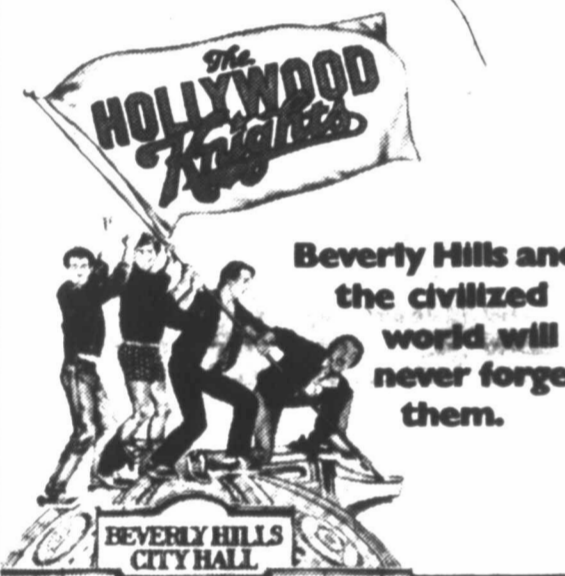
249 Walnut 728-3849

Whites Home & Auto

Palace Theatre

OPEN 7:30 START 7:45
Phone 728-2605 For Complete Information

Sunday & Monday



Beverly Hills and the civilized world will never forget them.

BEVERLY HILLS CITY HALL

R PolyGram Pictures

Save up to 35%

Amerock *Carriage House*

CHRISTMAS COLLECTION



\$28⁸⁸ Regular Suggested Retail Value \$45.00

Unique gift for the home, with lasting appreciation for those who live there. Attractive designer hardware selection includes a towel ring, 18" towel bar, wall mounted soap dish, and garment hook. Also included is a decorating idea booklet showing other Carriage House Collection™ bath hardware, plus locksets, cabinet hardware, and wall switch plates which can be added later. Popular Antique English finish complements nearly any decor.

Good Thru August

Higginbotham-Bartlett
Lumber Company
189 Pine 728-2301

Revival Begins

St. Luke Methodist Church in Colorado City will conduct a revival beginning tomorrow (Monday) night at 7:30 and will continue through Thursday night. Services will begin at 7:30 p.m. and Doug Stenbury will be the guest speaker. He is the pastor of the St. Luke Methodist Church in Roscoe. Jim Harris, song director of the Colorado City church will conduct the music.

Mike Cummings, pastor of the St. Luke Methodist Church would like to extend a personal welcome and invitation for everyone to attend.

Representative Here At Center On Wednesday



Doug Stenbury

Carl McGlothlin of the Big Spring Social Security Office has announced that a representative will be in Colorado City at the Wallace Center every other Wednesday of each month. The next scheduled date is this coming Wednesday and he will be here from 10 a.m. until 2 p.m. to answer questions and assist with problems.

Wallace Calendar

MONDAY, AUGUST 4

Ceramics (Sr. Citizens) 9:30 a.m.
Skating 10 a.m.
Photography (C.H.S.) 8-9 p.m.
Typing (Self-Paced) 9-4 p.m.
Job Applications, Manpower
Coordinator Margie Shawn 2 p.m.

TUESDAY, AUGUST 5

Ceramics (Sr. Citizens) 9:30 a.m.
Noon Meal (Sr. Citizens) Noon
Adult Education (Orphie Conner) 1-5 p.m.
Photography (C.H.S.) 8-9 p.m.
Misc. Town Trips in Van 1:30-4:30 p.m.

WEDNESDAY, AUGUST 6

Summer Rec. Program
(Dental Hygiene Program) 8-Noon
Medical Trips 9-4 p.m.
Social Security Representatives 10-2 p.m.
Beginning Tennis 6:30-7:30 p.m.
Photography (C.H.S.) 8-9 p.m.

THURSDAY, AUGUST 7

Blood Pressure Check 10-Noon
Noon Meal (Sr. Citizens) Noon
Skating (All Ages) 7 p.m.
Misc. Town Trips in Van 1:30-4:30 p.m.
Photography (C.H.S.) 8-9 p.m.

FRIDAY, AUGUST 8

Photography 8-9 p.m.

NEW CLASSES.....Sign Up Now!!

Photography Class, Mike Walla, instructor. Class begins at 8 p.m. at the High School. Cost for the five day course is \$15. Register at the Wallace Center.

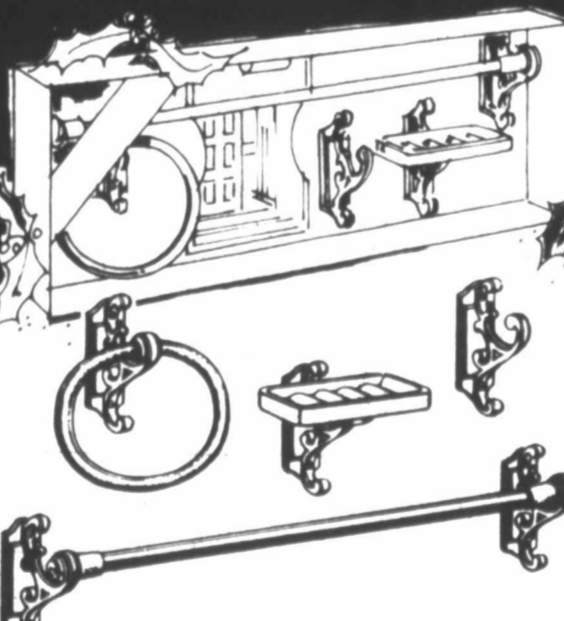
Basic Electronics through Western Texas College for youth ages 10-16.

Social Security Representatives will be at Wallace Center every other Wednesday.

Save up to 35%

Amerock *Charter*

CHRISTMAS COLLECTION




\$28⁸⁸ Regular Suggested Retail Value \$45.00

Special gift idea for the home of someone special. Gift-boxed selection includes a Burnished Brass finish towel ring, 18" towel bar, wall mounted soap dish, and garment hook. Also included is a special decorating idea booklet showing other items available to accent the bathroom and other areas with versatile Charter Collection™ styling.

Good Thru August

Higginbotham-Bartlett
Lumber Company
189 Pine 728-2301

Here Comes The Band



Beating A Path Right Up To Your Door

Starting **TUESDAY**

COLORADO HIGH WOLF BAND'S ANNUAL SALE OF Colorado City Record Subscriptions

3 Days Only

These Fine Students Will Come Calling To Your Home In Their Annual Big Fund Raising Event For Their Wolf Band Program. Their Campaign Will Be Only Three Days, No More.

Tuesday, Wednesday & Thursday

Every Subscription, New Or Renewal, Earns Money To Finance Extra Phases Of Colorado High Band Program, Including Special Trips And Equipment. In 19 Years Their Commissions And Bonuses Have Totaled More Than \$18,500.

Each Sale Aids The Band

Help 'Em Set A Record
They Earned \$1,450 In 3 Days Last Year

Save Yourself Money

Yes, Indeed! You Can Save Cash While You Assist The Band. You Save \$8.30 (Compare To Newsstand Price) When You Buy A One-Year Subscription. You Pay Only \$12.50 For A Subscription Delivered In Mitchell County. Just \$11.00 For A College Student For 9 Months And \$15.00 For Twelve Months Delivered Outside Of Mitchell County. So Be Ready For The Band...

Watch For 'Em...So You Can Be A Booster
By Subscribing To The Record

- *For Yourself
- *For A Man In Uniform
- *For A College Student
- *For A Relative Or Friend

AUGUST 03 80

MITCHELL COUNTY TELEVISION SCHEDULE

**Cable Reception Numbers
Are Listed At Top:
For Week Of Aug. 3-9**

Christian Broadcasting Network Is On Ch. 11 & Has A Varied Scheduling Format.

TUESDAY

PM	KMID CH.2 Midland	KTAB CH.3 Ablene	KERA CH.4 Dallas	KTVT CH.5 Fort Worth	KWAB CH.7 Big Spring	WFAA CH.8 Dallas	KRBC CH.9 Ablene	KTXS CH.12 Ablene	WTBS CH.13 Atlanta
6:00	News - NBC News	News - Newbywed Game	Electric Company MacNeil-Lehrer Rept.	Bewitched - Adam-12	News - Joker's Wild	News - P.M. Magazine	News - Wild Kingdom	News - Gomer Pyle	Hogan's Heroes All in the Family
7:00	Misadventures of Sheriff Lobo	White Shadow	News - Voices	Guns n' Smokes	Happy Days - Laverne and Shirley	Happy Days - Laverne and Shirley	Misadventures of Sheriff Lobo	Happy Days - Laverne and Shirley	Movie: 'Promise Her Anything'
8:00	Movie: 'From Here to Eternity: Aftermath'	Movie: 'One in a Million: The Ron'	Movie: 'Why Do Birds Sing?'	Movie: 'Beguiled'	Blair Rodeo - Taxi	Three's Company - Three's Company	Movie: 'From Here to Eternity: Aftermath'	Three's Company - Taxi	
9:00	and Revenge'	LeFlore Story	Flambers		The Barbara Walters Summer Special	The Barbara Walters Summer Special	and Revenge'	The Barbara Walters Summer Special	TBS Evening News
10:00	News - Best of Carson	News - Cannon	Movie: 'Seance on a Wet Afternoon'	Mary Tyler Moore - Bob Newhart	News - ABC News Soap	News - ABC News Soap	News - Best of Carson	News - ABC News Soap	Last of the Wild Movie: 'I Died a'
11:00		Barnaby Jones		Movie: 'Love Is a Ball'	Movie: 'King of Marvin'	Movie: 'King of Marvin'			Thousand Times'
12:00	Tomorrow		Sign Off		Gardens'	Gardens'	Tomorrow		Movie:

WEDNESDAY

PM	KMID CH.2 Midland	KTAB CH.3 Ablene	KERA CH.4 Dallas	KTVT CH.5 Fort Worth	KWAB CH.7 Big Spring	WFAA CH.8 Dallas	KRBC CH.9 Ablene	KTXS CH.12 Ablene	WTBS CH.13 Atlanta
6:00	News - NBC News	News - Newbywed Game	Electric Company MacNeil-Lehrer Rept.	Bewitched - Adam-12	News - Joker's Wild	News - P.M. Magazine	News - Nashville on the Road	News - Gomer Pyle	Hogan's Heroes All in the Family
7:00	Real People	Major League Baseball: Texas at New York	News - Human Face of China	Guns n' Smokes	Eight is Enough	Eight is Enough	Real People	Eight is Enough	Movie: 'Between Heaven and Hell'
8:00	Diff'rent Strokes - Sanford		Great Performances: The Marriage of Figaro	Movie: 'Boy Who Cried Werewolf'	Charlie's Angels	Charlie's Angels	Diff'rent Strokes - Sanford	Salinas Rodeo	
9:00	Quincy				Vegas	Vegas	Quincy	Vegas	TBS Evening News
10:00	News - Tonight Show	News - Your Turn		Mary Tyler Moore - Bob Newhart	News - ABC News Love Boat	News - ABC News Love Boat	News - Tonight Show	News - ABC News Love Boat	Last of the Wild Movie: 'Advise and Consent'
11:00		Saint	Jazz at the Maintenance	Movie: 'Wuthering Heights'	Baretta	Baretta		Baretta	
12:00	Tomorrow	Movie: 'Whispering Death'	Shop - Sign Off				Tomorrow		

THURSDAY

PM	KMID CH.2 Midland	KTAB CH.3 Ablene	KERA CH.4 Dallas	KTVT CH.5 Fort Worth	KWAB CH.7 Big Spring	WFAA CH.8 Dallas	KRBC CH.9 Ablene	KTXS CH.12 Ablene	WTBS CH.13 Atlanta
6:00	News - NBC News	News - Newbywed Game	Electric Company MacNeil-Lehrer Rept.	Bewitched - Adam-12	News - Joker's Wild	News - P.M. Magazine	News - First Thursday	News - Gomer Pyle	Hogan's Heroes All in the Family
7:00	Movie: 'Other Side of Hell'	Waltons	News - Here's to Your Health	Guns n' Smokes	Mark and Mindy - Angie	Mark and Mindy - Angie	Movie: 'Other Side of Hell'	Mark and Mindy - Angie	Movie: 'The Black Orchid'
8:00		Barnaby Jones	Edward the King	Movie: 'The World of Henry Orient'	Barney Miller - Nobody's Perfect	Barney Miller - Nobody's Perfect		Barney Miller - Nobody's Perfect	
9:00		Knots Landing	Undersea World of Jacques Cousteau		20/20	20/20		20/20	TBS Evening News Pre-Season Football
10:00	News - Tonight Show	News - Jeffersons	Movie: 'The Maharishi Returns'	Mary Tyler Moore - Bob Newhart	News - ABC News Charlie's	News - ABC News Charlie's	News - Tonight Show	News - ABC News Charlie's	Atlanta at Seattle
11:00			Movie: 'The Day They Hanged Kid Curry'		Angels	Angels		Angels	
12:00	Tomorrow		Sign Off		Baretta	Baretta	Tomorrow		Movie:

SUNDAY

PM	KMID CH.2 Midland	KTAB CH.3 Ablene	KERA CH.4 Dallas	KTVT CH.5 Fort Worth	KWAB CH.7 Big Spring	WFAA CH.8 Dallas	KRBC CH.9 Ablene	KTXS CH.12 Ablene	WTBS CH.13 Atlanta
6:00	Disney's Wonderful World	60 Minutes	Soundstage	Movie: 'Anne of the Thousand Days'	Galactica 1980	Galactica 1980	Disney's Wonderful World	Galactica 1980	Nashville on the Road Movie: 'Gulliver's'
7:00	CHiPs	Archie's Place One Day at a Time	Evening at Pops	Movie: 'Bite the Bullet'	Movie: 'Bite the Bullet'	CHiPs	Movie: 'Bite the Bullet'	Travels	
8:00	Movie: 'From Here to Eternity: Island and'	Alice - Jeffersons	Masterpiece Theatre - Little				Movie: 'From Here to Eternity: Island and'	Upstairs, Downstairs	
9:00	Homecoming		Nova A is for Atom B is for Bomb	High Chaparral			Homecoming	TBS Evening News	
10:00	News - Tales of the Unexpected	News - CBS News Movie: 'Getting Away'	Monty Python Benny Hill Show	Maverick	ABC News - PTL Club	News - Movie: 'An Affair to Love a'	News - Eischied/Kate Loves a	ABC News - Ernest Angley	Ruff House - Open Up
11:00	Inside	From It All	Two Ronnies - Fall & Rise of R. Parnin	News - Rex Humbard		Remember	Mystery	Whodunit? Greatest	Movie: 'The Young Land'
12:00	Sign Off		Prisoner - Sign Off					Unsolved Mysteries	

MONDAY

PM	KMID CH.2 Midland	KTAB CH.3 Ablene	KERA CH.4 Dallas	KTVT CH.5 Fort Worth	KWAB CH.7 Big Spring	WFAA CH.8 Dallas	KRBC CH.9 Ablene	KTXS CH.12 Ablene	WTBS CH.13 Atlanta
6:00	News - NBC News	News - Newbywed Game	Another Voice - MacNeil-Lehrer Rept.	Bewitched - Adam-12	News - Joker's Wild	News - P.M. Magazine	News - Pop! Goes the Country	News - Gomer Pyle	Hogan's Heroes All in the Family
7:00	Little House on the Prairie	Flo - WKRP in Cincinnati	News - Sneak Previews	Guns n' Smokes	That's Incredible	That's Incredible	Little House on the Prairie	That's Incredible	Love American Style Mobil Showcase
8:00	Movie: 'From Here to Eternity: Crossroads'	M*A*S*H - Housecalls	National Geographic	Movie: 'Forever Young Forever'	Movie: 'Intimate Strangers'	Movie: 'Intimate Strangers'	Movie: 'From Here to Eternity: Crossroads'	Movie: 'Intimate Strangers'	Summershow
9:00	and Secrets'	Lou Grant	Picasso - a Painter's Diary	Free			and Secrets'		TBS Evening News
10:00	News - Tonight Show	News - Harry O	'Doc' The Oldest Man/Sea	Mary Tyler Moore - Bob Newhart	News - ABC News Barney Miller	News - ABC News Barney Miller	News - Tonight Show	News - ABC News Barney Miller	Last of the Wild Movie: 'Along Came Jones'
11:00			Short Story Theatre - Another Voice	Movie: 'Calling Dr. Gillespie'			Movie: 'Red'		
12:00	Tomorrow	Sign Off			Sies of Monsters'	Tomorrow	Sylvia's Chalet		Movie: 'The Conspirators'

FRIDAY

PM	KMID CH.2 Midland	KTAB CH.3 Ablene	KERA CH.4 Dallas	KTVT CH.5 Fort Worth	KWAB CH.7 Big Spring	WFAA CH.8 Dallas	KRBC CH.9 Ablene	KTXS CH.12 Ablene	WTBS CH.13 Atlanta
6:00	News - NBC News	News - Newbywed Game	Electric Company MacNeil-Lehrer Rept.	Bewitched - Adam-12	News - Joker's Wild	News - P.M. Magazine	News - That Nashville Music	News - Gomer Pyle	Hogan's Heroes All in the Family
7:00	Here's Boomer	Facts of Life	Incredible Hulk	News - Wall Street	Guns n' Smokes	Benson - Goodtime Girls	Benson - Goodtime Girls	Here's Boomer	Movie: 'Plan 9 From Outer Space'
8:00	Speak Up America	Dukes of Hazzard	Washington Week/Review Ben Wattenberg's 1980	Movie: 'Dr. Faustus'	Movie: 'Last of the Red Hot Lovers'	Movie: 'Last of the Red Hot Lovers'	Speak Up America	Movie: 'Last of the Red Hot Lovers'	
9:00	Friday Night Fights	Dallas	Bill Moyers' Journals				Friday Night Fights		TBS Evening News
10:00	News - Tonight Show	News - Avengers		Mary Tyler Moore - Bob Newhart	News - PGA Championship	News - PGA Championship	News - Tonight Show	News - PGA Championship	Last of the Wild Movie: 'Brides of'
11:00			Jazz at the Maintenance Shop	Movie: 'Lovers and Other Strangers'	Paid Political Program: Texas Talkin'	Paid Political Program: 'Rawhide'		Paid Political Program: 'Rawhide'	Dracula
12:00	Midnight Special		Dick Cavett Show Sign Off				Midnight Special		Movie: 'Man Afraid'

Kare
Duri
The First
Church of Lora

AFTER
The energy
porch po
were also
COOLIN
AGAIN.
Have 100

AM KM
CH.1
Midland

7:00 Today

8:00

9:00 Donahue

10:00 Wheel of Fortune
Pasword

11:00 Card Sh

12:00 The Doct

1:00 Days of C
Lives

2:00 Another

3:00 Texas (PREMI

4:00 Mary Tyl
Moore
Leave it t
Beaver

5:00 Andy Griffith
Bewitche

6:00 Brady Bu
Happy D
Again

AM KM
CH.1
Midland

7:00 Godzilla/
Globetrot
ters Adv
ture Ho

8:00 Fred and
Barney
the Shr

9:00 Daffy Du
Show

10:00 The Val
le O Sho
Mexican
Tejano

11:00 Wrestling

12:00 Lone Sta
Spartan

1:00 Pre-Gam
Major L
Baseball
Philadel

2:00 at Pittsbu
/er Chie
at Boos

3:00

4:00 Film Fas

5:00 WIM Ki

6:00 Convers

7:00 NBC No

Karen Tarrt And Mitch Hamer United In Marriage During Double Ring Evening Ceremony In Loraine

The First Baptist setting for the wedding of Hamer. Luke Smith, pastor, officiated the double ring ceremony at 7 p.m. August 2.

corated with white satin ribbons with yellow and blue silk roses.

Alta Miles of Loraine was the organist for the ceremony and she played traditional wedding selections and accompanied Mrs. Linton Ray Webb as she sang "Sunrise, Sunset."

The bride completed the bridal tradition as she carried an old handkerchief belonging to her grandmother, Mrs. Will Young; she wore a new wedding gown, a blue garter and a dime in her shoe. She carried a bouquet of white and blue silk daisies and yellow and white silk roses accented with baby's breath.

The bride presented a long stemmed rose to her mother as she ascended down the aisle to the altar and another rose to her new mother-in-law as she left the altar.

Debbie Kennedy of San Angelo was the maid of honor. She was attired in a yellow crepe gown with spaghetti straps and an accordion pleated skirt. A chiffon overlay topped the gown. She carried a nosegay of fresh flowers made up of yellow and white daisies and carnations complimented with baby's breath.

The candlelighters were Jill Lynam of Loraine and Kim Compton of Hereford. They wore tucked yellow dotted swiss floor length gowns trimmed with satin ribbon.

Gina Daniel of Tyler, niece of the bride, served as flower girl. She wore a yellow voile floor length dress with tucks and lace trim as she scattered rose petals from a small white basket trimmed in yellow satin ribbon.

Ring bearers were Blaine and Brandon Shep-

pard of Lamesa. The nephews of the groom carried the rings on white satin pillows.

Donnie Lowrance of Colorado City served as best man and Blake Reynolds and Mike Womack of Colorado City were ushers.

Mrs. Jimmy Wall of English, Ind., presided at the registry table which featured a picture of the bride and was decorated with a plumed pen and bud vase holding a yellow silk rose.

Nolan Daniel, nephew of the bride, from Tyler distributed rice bags.

A reception followed in the fellowship hall of the church given by the bride's mother. A three-tiered traditional white wedding cake with columns featuring flowers and doves on the top was featured on the bride's table. Yellow and blue flowers added color to the cake.

Lisa Thompson laddled punch and Tammy Hambricht of San Angelo served the bride's cake. The groom's table featured a German chocolate cake and coffee served by Guen Bell and Kathryn Wall. The table was covered with a yellow linen cloth and decorated with blue silk flowers with yellow accents.

The bride is a graduate of Loraine High School and has attended Angelo State University one year. The groom is a graduate of Colorado High School and has attended Western Texas College. He is presently employed with Mesa Oil Company in Midland where the couple will reside after a wedding trip to Red River, N.M.

Out of town guests came from Post, Dallas, Tyler, Ruston, La., Cashatta, La., Andrews, Merkel, Sweetwater and English, Ind.

Parents of the groom hosted the rehearsal dinner at Villa Inn Restaurant Friday night.

ANOTHER SIDING JOB BY IDEAL EXTERIORS
1719 VINE
PHONE 728-2686
COLORADO CITY, TEXAS 79512



The energy saving/maintenance free products installed on this home at 1033 Vine are vinyl siding, wall insulation, aluminum screens, and raught iron porch post. The overhang, window facings, window sills & door facings were also covered. These products will SAVE MONEY on HEATING, COOLING & PAINTING. This house will NEVER NEED PAINTING AGAIN. Call or come by Ideal Exteriors for a FREE ESTIMATE. We Have 100% BANK NOTE FINANCING AVAILABLE.

MON-FRI

AM	KMID CH.2 Midland	KTAB CH.3 Ablene	KERA CH.4 Dallas	KTVT CH.5 Fort Worth	KWAB CH.7 Big Spring	WFAA CH.8 Dallas	KRBC CH.9 Ablene	KTXS CH.12 Ablene	WTBS CH.13 Atlanta
7:00	Today	Morning	Inside Out Cover Story Zoom	Siam Bang Theatre	Good Morning America	Good Morning America	Today	Good Morning America	Hazel Lucy Show
8:00		Captain Kangaroo	News Mister Rogers Neighborhood	Comedy Capers New Zoo Revue					Family Affair Green Acres
9:00	Donahue	Jeffersons Alice	Sesame Street	Leave it to Beaver My Three Sons	PTL Club	People Edge of Night	The David Letterman Show	Sylvia's Chalet	Movie
10:00	Wheel of Fortune Password Plus	Price Is Right	Electric Company Villa Alegra	Daktari	Love Boat	Love Boat	Love Boat	Love Boat	
11:00	Card Sharks The Doctors	Young and the Restless	Sesame Street	I Dream of Jeannie News	Family Feud Ryan's Hope	Family Feud Ryan's Hope	Card Sharks The Doctors	Family Feud Ryan's Hope	Freeman Reports
12:00	Days of Our Lives	News Search for Tomorrow	Over Easy MacNeil- Lehrer Rept.	Movie	All My Children	All My Children	News Midday w/Kay Days of Our Lives	All My Children	Movie
1:00	Another World	As the World Turns	Varied Programs	One Life to Live	One Life to Live	One Life to Live	Another World	One Life to Live	Super Station
2:00	Texas (PREMIERE)	Guiding Light		General Hospital	General Hospital	General Hospital	Texas (PREMIERE)	General Hospital	Funtime Banana Splits
3:00	Mary Tyler Moore Leave it to Beaver	One Day at a Time Bugs Bunny & Coyote	Dick Cavett Show Over Easy	Banana Splits	Edge of Night New Zoo Revue	Movie	Movie	Edge of Night Hogan's Heroes	Flintstones Gilligan's Island
4:00	Andy Griffith Bewitched	Gilligan's Island Brady Bunch	Zoom Mister Rogers Neighborhood	Bugs Bunny/ Porky Pig Superman	Mike Douglas Show			Gunsmoke	My Three Sons I Dream of Jeannie
5:00	Brady Bunch Happy Days Again	Bewitched CBS News	Sesame Street Dick Van Dyke	I Love Lucy Dick Van Dyke	ABC News	ABC News	NBC News	Real McCoys ABC News	Andy Griffith I Love Lucy

SATURDAY

AM	KMID CH.2 Midland	KTAB CH.3 Ablene	KERA CH.4 Dallas	KTVT CH.5 Fort Worth	KWAB CH.7 Big Spring	WFAA CH.8 Dallas	KRBC CH.9 Ablene	KTXS CH.12 Ablene	WTBS CH.13 Atlanta
7:00	Godzilla/ Globetrot- ters Adven- ture Hour	Adventures of Mighty Mouse and Heckle & Jeckle	Sesame Street	World's Greatest Superfriends	World's Greatest Superfriends	World's Greatest Superfriends	Godzilla/ Globetrot- ters Adven- ture Hour	World's Greatest Superfriends	Ultraman Movie: Terror in a
8:00	Fred and Barney Meet the Shmoo	Bugs Bunny/ Road Runner Show	Mister Rogers Neighborhood Zoom	News	Plasticman Comedy/ Adventure Show	Plasticman Comedy/ Adventure Show	Fred and Barney Meet the Shmoo	Plasticman Comedy/ Adventure Show	Texas Town
9:00	Daffy Duck Show	All-New Popeye Hour	Sesame Street	Extension '80 Fifty Plus	Scooby and Scrappy Doo	Scooby and Scrappy Doo	Daffy Duck Show	Scooby and Scrappy Doo	Movie: Juarez
10:00	The Val de la O Show Mexican Tejano	New Fst Albert Show	Electric Company Mister Rogers Neighborhood	Hanna-Barbers	Laff-A-Lymp- pics	Laff-A-Lymp- pics	The Jetsons	Laff-A-Lymp- pics	
11:00	Wrestling	Shazam! Tarzan and the Super	Sesame Street	Lee Times Parents in Action	ABC Weekend Special American Bandstand	ABC Weekend Special Peppermint Place	Godzilla Flash Gordon	ABC Weekend Special American Bandstand	Movie: Sword Of
12:00	Lone Star Sportman	Seven Going Places	To Be Announced	Sign of the Times Point of View	To Be Announced	Wild Kingdom	Wrestling This Week in Baseball	Can-Am Challenge	Damascus
1:00	Pre-Game Show Major League Baseball: Philadelphia	Jack Van Impe Presents To Be Announced	Great Perfor- mances: The Marriage of Figaro	Fiesta Mexicana Varietades Musicales	Porter Wagoner	In Search of... Coors Outdoorsman	Pre-Game Show Major League Baseball: Philadelphia	Challenge Match Fishin Coors Outdoorsman	Movie: Fighter Attack
2:00	at Pittsburgh /or Chicago at Boston	U.S. Clay Court Tennis Championship at Boston	Newton/Weaver Hour	American Angler Wide World of Sports	To Be Announced Wide World of Sports	at Pittsburgh /or Chicago at Boston	Sports Affeld Wide World of Sports		
3:00		CBS Sports Spectacular	Movie: Warol						Mission Impossible
4:00	Film Feature Wild Kingdom		Que Pass USA?	PGA Championship	PGA Championship	Petticoat Junction Beverly Hillbillies	PGA Championship	PGA Championship	This Week in Baseball
5:00	Conversation NBC News	Spotlight CBS News	Que Pass USA? To Be Announced	Lawrence Walk			Dallas Cow- boys Weekly This Week		Championship Wrestling



Mrs. Mitch Hamer

... Former Miss Karen Tarrt

SATURDAY

PM	KMID CH.2 Midland	KTAB CH.3 Ablene	KERA CH.4 Dallas	KTVT CH.5 Fort Worth	KWAB CH.7 Big Spring	WFAA CH.8 Dallas	KRBC CH.9 Ablene	KTXS CH.12 Ablene	WTBS CH.13 Atlanta
6:00	Muppets	She Na Ne	National Geographic	Real McCoys	Hee Haw	News	Lawrence Walk	Hee Haw	Prog Cont'd
6:30	Eyes of Texas	Gilligan's Island		Make Room For Daddy		Saturday			
7:00	Buck Rogers in the 25th Century	That's My Line (PREMIERE)	Lord Mount- batten: A Man for the Century	Pop! Goes the Country That Nash- ville Music	240-Robert	NASL Soccer: Dallas at Ft. Lauder- dale	Buck Rogers in the 25th Century	240-Robert	That Nash- ville Music: Pop! Goes the Country
8:00		Movie: 'No Other Love'	Movie: 'Seance on a Wet After- noon'	Nashville on the Road Porter Wagoner	Love Boat			Love Boat	Untouchables
9:00	Pre-Conven- tion Special Report		High Chaparral	Fantasy Island		Fantasy Island	Pre-Conven- tion Special Report	Fantasy Island	TBS Evening News
10:00	News	News	Benny Hill Show Two Ronnies	Wrestling	ABC News Scriptures Ernest Angley	News	News Comment Saturday Night Live	ABC News Country Roads	Dick Maurice and Company
10:30	Saturday Night Live	Movie: 'Fun In Acapulco'	Fall & Rise of N. Perrin Dick Cavett Show	Ironsides	WCT Challenge				Rock Concert
11:00									Championship Wrestling
11:30									Stan
12:00	Wrestling				Cup Tennis		Movie: 'Twilight for the Gods'		Hitchcock Sign Off
12:30			Prisoner	News/Sign Off					Movie:

Perkin's
Apothecary & Mercantile
Will Be
OPEN SUNDAY
12:30 - 1:30 P.M.

DO-IT-YOURSELFERS
we've got what it takes to improve your home.

Storm Doors
With Full View Safety Glass
(Solid Glass)

36"x80" Gold Frame.....\$89.95
32"x80" Gold Frame.....\$89.95
36"x80" Antique Bronze\$79.95
32"x80" Antique Bronze\$79.95

Storm Doors
Heavy Aluminum Frame
(Bottom Sash Raises)

36"x80" Aluminum Frame.....\$69.95
32"x80" Aluminum Frame.....\$69.95
30"x80" Aluminum Frame.....\$69.95
30"x78" Aluminum Frame.....\$69.95
32"x78" Aluminum Frame.....\$69.95

ROCKWELL
BROS. & CO.

302 W. 2nd Colorado City, 728-2441

CROSSROADS
TEXAS

IMAGINE ...

YOURSELF TRAVELING TEXAS.

You become lost and find this group of highway signs and refer to your map to find your location. There is only one place in the state you can be ...



WHERE ARE YOU?
Find the answer and some interesting facts about the area in the next edition.

ANSWER IN NEXT EDITION

© J.G. Williamson 1980

This Map Is A Puzzle & So Is Insurance -- Let Us Answer Your Questions On Auto, Home, Life & Business Insurance. Phone Tom Lowell At

KEN OODSEY
INSURANCE

247 Walnut 728-3401

AUGUST 3 1980



SPORTS

Workouts Begin For Girls At CHS

August 11 is the first day for volleyball workouts at the Colorado High School, stated Coach George Martin, and they will begin at 10 a.m. All girls must have a physical by this date in order to participate. Physical examination forms may be obtained at the high school office from Coach Mar-

tin. Workouts will continue through August 17. There is a volleyball scrimmage set for August 18 at Odessa Permian High School and the varsity team will be selected from those playing. All interested girls must attend the workouts and the scrimmage. The scrimmage will begin at 10 a.m.

Lions Go Down Fighting During District Tourney

The Lions were defeated in their first two games Tuesday and Wednesday nights as they faced Snyder and Comanche during the Teenage League Championship Tournament in Cisco.

Snyder defeated them 14-2 and Comanche 14-1. The Snyder Oilers went

on to take the championship title and they will now play in Sweetwater the first of this week in state competition.

The Lions team, sponsored by the Noon Day Lions, is made up of Tom Rees, Jr., Tip Chaney, Ruben Luera, James Blackwell, Robert Gomez, Amilio Marti-

nez, Jardy Powell, Yardy Powell, Dennis Rivera and Jeffery Butler. The three pickup players are Stacey Tarter, Tracy Tarter and Henry Garcia.

Jack Pharris is the manager of the team and he is assisted by David Smith. Bat boy for the Lions is John Pharris.

Annual Jaycees Tourney Finals This Afternoon

The Jaycees Slow-Pitch Tournament will conclude today about 5 p.m. All teams have been knocked out of play and these last games are the championship games.

Local teams participating in the tournament are Boll Weevils, Rejects, Calvary Baptist, Loraine Baptist, Church of Christ A, Dirty Dozen and Church of Christ B.

Tournament play began Friday night at 6:45 p.m. and did not stop for anything until early this morning at 5 a.m. They will resume play this afternoon at 1.

There has been some really tough games with a lot of good competition and sportsmanship.

Woody Anderson, Jaycee member, stated that this was the best Jaycee Tournament ever and added that it was a total success.

The Big Spring Umpiring Association umpired all of the games for the tournament.

Anderson also stated that Tex Blankenship and family has really put a great deal into the tournament, helping to make it a success as they did in Church League Softball season.

There will be around \$500 worth of prizes and awards given Sunday afternoon. There is a first, second and third place team trophy and individual tee-shirts for first and second place winners.

Wind breakers will be given to the all-tournament team and a bat for the player with the most home runs. The most valuable player will receive a travel bag and the best glove on the field will receive a new leather softball glove.

All proceeds from the tournament will go into the Jaycees Club which is responsible for the Jaycees Field that is available to everyone in

the community. They also have other projects they support such as scholarships, the Boy's Club and other community projects.

DINE OUT

Sunday Menu Homestyle Cooking
BEGINNING AT 11 A.M., SUNDAY

**Savory Pepper Steak
Golden Fried Chicken
Polynesian Pork Chops**

Broccoli	Salad Bar
Glazed Carrots	Vegetable Soup
Creamed Potatoes Banana Pudding Blueberry Muffins Homeade Rolls	
CHILD'S PLATE	\$2.50
ADULTS	\$3.75

**Jim's
Trucktown Restaurant**
Interstate 20 728-5325



ACCEPTING THE SECOND PLACE AWARD for the Church League Tournament for the Loraine Baptist women team are Sandy Phillips, Gloria Moreno, Brenda Lee (back), Almaz Webb and Fielda Blair.

New CHS Coaches To Be Honored

There will be a reception honoring the new girls' coaches at Colorado High School and Colorado Middle School Saturday at 6:30 p.m. at the State Park at Lake Colorado City.

Laura Wiley and Mike Wilkins are the coaches to be honored.

Mrs. Wiley is the new

assistant coach to Coach George Martin and will work with the high school girls in volleyball, basketball and track. She will also be the junior varsity (freshman) coach.

Coach Wilkins will assist Coach Linda Mathis at Middle School with seventh and eighth grade girls.



REGGIE GARDNER of the Colorado City Rangers scores, bringing them a littler closer to a winning game.

Texas Freshman Teenage League Tourney Concludes

The Texas Freshman Teenage League Tournament concluded Wednesday night with the Sweetwater Lions taking first place.

The final games Wednesday were between Flintkote Cats of Sweetwater and Brady, with the Cats taking it 14-2. The final game was between the Flintkote Cats and the Lions, both of Sweetwater. The Lions won 8-2 giving them the honor of participating in the state competition in Brownwood.

Colorado City Rangers lost both of their games by one point but their coach, Doug Chitsey, stated that the boys played some good ball.



RANGER TEAM members come out to shake Doug Chitsey, Jr.'s hand after he hit a homerun over the fence bringing in two people on bases in the game between the Sidney Eagles of Comanche Tuesday night. They beat the Sidney Eagles with a score of 8-2 before losing to the Flintkote Cats.

Wed., August 6

25 PICTURES FOR 99¢

KING SIZE WALLET CREATIVE COLOR PORTRAITS FOR ONLY

Kodak paper. For a Good Look at the Times of Your Life.

25 PICTURES FOR 99¢ THIS TIME

Extra Charge for GROUPS

WE USE KODAK PAPER

Shugart's inc. ASK About Our **FREE 8 x 10 OFFER**

Whites Home & Auto
249 Walnut 728-3849

FARM BUREAU INSURANCE

130 Walnut 728-3408

Your Full Service Agency

Phone Us For Your Insurance Needs - Life, Fire, Auto And Crop Hail. We Serve Your First.

 Joe Murphy Agency Mgr. 728-3642	 Dan Morgan Agent 728-8268	 George Walker Agent 728-3932
--	--	---

Lone Wolf Electric Cooperative, Inc. Statement Of Non-Discrimination

Lone Wolf Electric Cooperative, Inc., has filed with the Federal Government a compliance assurance in which it assures the Rural Electrification Administration that it will comply fully with all requirements of Title VI of the Civil Rights Act of 1964 and the rules and regulations of the Department of Agriculture issued thereunder, to the end that no person in the United States shall, on the ground of race, color, or national origin be excluded from participation in, be denied the benefits of, or be otherwise subjected to discrimination in the conduct of its program and the operation of its facilities. Under this assurance, this organization is committed not to discriminate against any person on the ground of race, color or national origin in its policies and practices relating to applications for service or any other policies and practices relating to treatment of beneficiaries and participants including rates, conditions and extension of service, use of any of its facilities, attendance at and participation in any meeting of beneficiaries and participants or the exercise of any rights of such beneficiaries and participants in the conduct of the operations of this organization.

"Any person who believes himself, or any specific class of individuals, to be subjected by this organization to discrimination prohibited by Title VI of the act and the rules and regulations issued thereunder may by himself or a representative, file with the Secretary of Agriculture, Washington, D. C. 20250, or the Rural Electrification Administration, Washington, D. C. 20250, or this organization or all, a written complaint. Such complaint must be filed not later than 180 days after the alleged discrimination, or by such later date to which the Secretary of Agriculture or the Rural Electrification Administration extends the time for filing. Identity of complainants will be kept confidential except to the extent necessary to carry out the purposes of the rules and regulations."

Lone Wolf Electric Cooperative, Inc.

NOTICE

Dr. Ruth Y. Ackers Podiatrist, Inc.

Announces Our Newest
Location

**2150 S. Danville Drive
Ablene, Texas**

695-1890 695-1891

Please keep, as we were left out of the yellow pages.

GO-PHER...SKINNY'S

**SKINNY'S NEW EVERYDAY
LOW, LOW PRICES**

Shop Skinny's And Save On
Gas - Ice, And Your Favorite Beverages

Regular Or Super KOTEX 12 Ct. Box \$1.25 Del Monte FRUIT COCKTAIL ... 303 Can 69¢ Ranch Style BEANS 300 Can 45¢ Del Monte Whole Kernel CORN 300 Can 45¢ Rotel TOMATOES & CHILI ... 1 Size 45¢ Del Monte TOMATOES 303 Can 55¢ Hunt's MARINCH SANDWICH . 15 Oz. Can 79¢ Underwood DEVIL HAM 2 1/2 Oz. Can 45¢ Austex Meatball SPAGHETTI 300 Can 75¢ VISA & MASTERCARD Accepted	Wolf CHILI 10 Oz. Can 79¢ Wolf CHILI 19 Oz. Can \$1.39 Wolf CHILI W/BEANS ... 15 Oz. Can 89¢ Wolf TAMALES 300 Can 69¢ Rosalta REFRIED BEANS . 17 Oz. Can 55¢ Chef RAVIOLI BEEF ... 15 Oz. Can 75¢ Starkist CHUNK TUNA . 6 1/2 Oz. Can \$1.15 Campbell's Chunky CHICKEN 10 1/2 Oz. Can 55¢ Crisco REGULAR OIL .. 24 Oz. Btl. \$1.49 Crisco SHORTENING 1 Lb. Can 95¢
--	---

SKINNY'S-AROUND THE CORNER FROM WHERE YOU ARE!
Shop 6 A.M. To 12 A.M. Sunday - Friday ... 6 A.M. To 1 A.M. Saturday

DRINK TA
Mitchell Cou
ved \$327.02 as
of the 10 per c
tax during the l
ter. This repr
per cent of t
\$2,180.11 colle
ing that perio
Colorado Cit
ed \$249.42 as
cent of the tota
collected by
during the fir
Scurry Cour
ved \$2,491.03
per cent of

**Lake Ar
Opened**

An additiona
acres area of w
been opened up
Colorado City
ing buoys clos
discharge at t
Electric Morg
Power Plant.
Moving of th
was completed
Warden Ronni
Lake Colorad
State Park Su
dent Bill Griff
Townsend and
TESCO e
Thursday.
The moving
buoys was app
TESCO some
and has now b
pleted, Aston r

**Rehear
To Be**

Band rehear
Colorado High
set to begin Mo
will continue
and Thursday
til school starts
Section r
and other re
will be schedu
the days when
are available.
are encourage
tend this meeti

**Lorain
Reside
Dies**

Cora Pierce
rairie died at
Wednesday at
Lodge Nursing
Loraine.
Services wer
a.m. Friday at
City Cemete
the direction
Seale Funeral
She was a f
chita Falls res
Rev. Glenn
minister of
Baptist Churc
ted.
Born Aug. 4
came to Lora
Wichita Fal
years ago.
Survivors i
sister, Rosie
Loraine.

**Let
To
Edi**

Dear Citize
It has been
our attention
recent softbe
ment held in
request was
ing the coach
ticipants not
nize the Da
here because
purchased an
program.
We believe
reputation fo
backing and
the youth in
will stand on
speak for its
going into a
fense here i
paper.
You know,
ness has a po
ing with infl
days, and w
already gon
advertising
are forced t
sometimes...
what should
sides, I su
shopping sp
we purchase
portion of th
of comme
don't count.

Midg
Colorado Ci

DRINK TAX, From Page 1

Mitchell County received \$327.02 as its share of the 10 per cent state tax during the last quarter. This represents 15 per cent of the total \$2,180.11 collected during that period. Colorado City collected \$249.42 as its 15 per cent of the total \$1,662.78 collected by the state during the first quarter. Scurry County received \$2,491.03 as its 15 per cent of the total

\$16,606.89 collected by the state during the last quarter. Snyder received \$2,167.31 as its 15 per cent of the total \$14,448.74 collected by the state during the last quarter. Nolan County received \$2,758.60 as its 15 per

cent of the total \$18,390.67 collected by the state during the last quarter. Sweetwater received \$1,620.89 as its 15 per cent of the total \$10,805.94 collected by the state during the last quarter. Howard County received \$3,556.87 as its 15 per cent of the total \$23,712.47 collected by the state during the last quarter. Big Spring received \$2,644.08 as its 15 per cent of the total \$17,627.18 collected by the state during the last quarter.

Registration Set At Howard College

Students wishing to pre-register for courses during the upcoming Fall semester at Howard College in Big Spring may still do so until 5:30 p.m. Thursday in the registrar's office located in the Admini-

stration Building, according to Jan Dunagan, registrar at HC. Times for pre-registration for the Fall semester are from 7 a.m. until 5:30 p.m. Forms for immunization records and trans-

cript requests will be provided by the registrar for students to fill out for registration. All students planning to attend classes full-time are asked to bring their ACT or SAT scores. Students who have not com-

pleted one of these tests will still be eligible to register. Howard College will offer the ACT test August 19. For additional information about registration, contact the registrar's office at 267-6311.

Lake Area Opened

An additional 10 to 15 acres area of water has been opened up at Lake Colorado City by moving buoys closer to the discharge at the Texas Electric Morgan Creek Power Plant. Moving of the buoys was completed by Game Warden Ronnie Aston, Lake Colorado City State Park Superintendent Bill Griffin, Barry Townsend and several TESCO employees Thursday. The moving of the buoys was approved by TESCO some time ago and has now been completed, Aston reported.

Rehearsal To Begin

Band rehearsals for Colorado High School is set to begin Monday and will continue Tuesday and Thursday nights until school starts. Section rehearsals and other rehearsals will be scheduled during the days when students are available. Students are encouraged to attend this meeting.

Lorraine Resident Dies

Cora Pierce, 79, of Lorraine died at 5:50 p.m. Wednesday at Leisure Lodge Nursing Home in Lorraine. Services were at 10:30 a.m. Friday at Colorado City Cemetery under the direction of Kiker-Seale Funeral Home. She was a former Wichita Falls resident. Rev. Glenn Roenfeldt, minister of the First Baptist Church, officiated. Born Aug. 4, 1890, she came to Lorraine from Wichita Falls eight years ago. Survivors include a sister, Rosie Pierce of Lorraine.

Letter To The Editor

Dear Citizens: 7-28-80 It has been brought to our attention that, at a recent softball tournament held in our city, a request was made urging the coaches and participants not to patronize the Dairy Queen here because we had not purchased an ad in their program. We believe that our reputation for donating, backing and supporting the youth in our town will stand on its own and speak for itself without going into a lengthy defense here in the newspaper. You know, any business has a problem coping with inflation these days, and when you've already gone over your advertising budget you are forced to say "no" sometimes...and this is what should happen. Besides, I suppose the shopping spree tickets we purchased, and our portion of the chamber of commerce funds don't count.

Signed: Midge Ledbetter, P.O. Box 692, Colorado City, TX 79612

OPEN 8 A.M. TILL 10 P.M. FOR YOUR SHOPPING CONVENIENCE

SAFEWAY Safeway brands!

Satisfaction guaranteed Just look for this mark on the label! SAFEWAY S BRANDS for fine quality and real value!	Dressing Salad, Nu Made (Save 37%) Safeway Special! 32-oz. Jar 78¢ <small>(Limit 1 with \$10.00 or more additional purchase excluding cigarettes.)</small>	Pizzas Bel-air, Assorted (Save 40%) Safeway Special! 13-oz. Pkg. 99¢	Detergent White Magic (Save 76%) Safeway Special! 49-oz. Box 99¢ <small>(Limit 1 with \$10.00 or more additional purchase excluding cigarettes.)</small>
	Drink Mix Cragmont! Makes 8 quarts. Assorted Flavors. (Save 64%) Safeway Special! 26 1/2-oz. Cann. 99¢	Aluminum Foil Safeway 12 Inches Wide Safeway Special! 25-Sq. Ft. Roll 39¢	Pinto Beans Town House (Save 10%) Safeway Special! 16-oz. Pkg. 39¢
	Sherbet Lucerne (Save 60%) Safeway Special! 1/2-Gallon Ctn. 99¢	Tastee-Os Cereal, Safeway (Save 20%) Safeway Special! 15-oz. Box 79¢	Brownie Mix Mrs. Wright's, Quick & Easy! Safeway Special! 22 1/2-oz. Pkg. \$1.23
		Orange Juice Bel-air Frozen (Save 14%) Safeway Special! 6-oz. Can 33¢	

Shop and Save! Crackers 69¢ <small>Busy Baker Snack Crackers 8-oz. Assorted Flavors Special!</small>	Money-Saving Values! Longhorn \$1.49 <small>Cheddar Cheese Safeway 10-oz. Halfmoon Special!</small>	Compare These Values! Fish Sticks 79¢ <small>Captain's Choice Frozen 8-oz. Pkg. Safeway Special!</small>	Variety Department Values! Panty Hose 79¢ <small>Safeway All-In-One Assorted Shades and Sizes (Save 50%) Safeway Special!</small>
Tomato Catsup 66¢ <small>24-oz. Bottle</small>	Fabric Softener \$1.69 <small>Empress 16-oz. Pkg.</small>	Tea Bags 48¢ <small>20-Pkg.</small>	Shampoo 89¢ <small>Truly Fine Baby Shampoo 16-oz. Bottle</small>
Lawn/Leaf Bags \$1.99 <small>10-Gallon</small>	Soft Margarine 69¢ <small>16-oz. Pkg.</small>	Pork Rinds 59¢ <small>2-lb. Pkg.</small>	Baby Oil 99¢ <small>Truly Fine 16-oz. Bottle</small>
Frostings 89¢ <small>Mrs. Wright's Ready 15 1/2-oz. 10 Spread</small>	Virginia Peanuts \$1.39 <small>Partly Shelled 12-oz. Can</small>	Dill Pickles 89¢ <small>White Town House 22-oz. Jar</small>	Polish Remover 2 for \$1 <small>2-oz. Bottles</small>
			Cotton Balls 2 for \$1 <small>2-Pkg.</small>

Safeway Special!
BEL-AIR FROZEN STRAWBERRIES
Whole, Delicious! (Save 44%)
For Desserts 20-oz. Bag 99¢
Topping 49¢
Pie Crust 77¢

Safeway Special!
BEL-AIR FROZEN VEGETABLES
★ Cut Corn Save 30¢
★ Mixed Vegetables Save 38¢
★ Green Peas Save 30¢
★ Peas & Carrots Save 25¢
YOUR CHOICE 32-oz. Bag 99¢

Finest Quality Meats!
Pork Chops \$1.29
Loin Assorted Family Pack
Lean and Meaty! Safeway Special! —Lb.
Safeway Franks 89¢
*Meat or *Beef Safeway Special!

Shampoo 89¢
Truly Fine Baby Shampoo 16-oz. Bottle
Baby Oil 99¢
Truly Fine 16-oz. Bottle

Motor Oil 59¢
Safeway HD 30 Wt. Stock up Now and Save! (Save 20%)
Safeway Special! —Qt. Can

Fresh Fruits and Vegetables!
Nectarines 49¢
California Large Luscious Flavor! Safeway Special! —Lb.

Chicken Hens 59¢
Frozen Under 7-Lbs. USDA Insp. Graded "A" No Giblets. Safeway Special! —Lb.

Beef Liver 98¢
Sliced, Skinned and Deveined. Delicious Fried With Onions! Safeway Special! —Lb.

Sliced Bacon \$1.25
Smok-A-Roma, Breakfast Favorite! Fries Crisp & Delicious. Safeway Special! 1-Lb. Pkg.

Smoked Picnics 79¢
6 to 8-Lbs. average Water Added. Safeway Special! (Sliced Picnics *Half or *Whole-Lb. 99¢) —Lb.

Beef Patty Mix \$1.19
Made from Beef and Vegetable Protein. Safeway Special! —Lb.

Sliced Bologna \$1.19
Scotch Buy 1-Lb. Pkg.

Tomatoes 59¢
Red-Ripe! Safeway Special! —Lb.

Potatoes \$2.49
Russet US #1 Scotch Buy 10-Lb. Bag

Absorbent Bounty Towels Designer 2-Roll Pkg. \$1.05

Nestle Quik Chocolate Drink Mix 2-Lb. Box \$2.56

Hunt's Tomato Juice 13 1/2-oz. Can 37¢

Yes Detergent For All Your Wash! 32-oz. Plastic \$1.64

Spray'n Wash Texize Stain Remover Non Aerosol 22-oz. Plastic \$1.61

Romaine Lettuce For Salads! Safeway Special! Each 49¢

No Static Cling! Doway Fabric Softener 64-oz. Plastic \$2.58

Made With Corn Oil! Mazola Margarine Quarters 1-Lb. Ctn. 85¢

Tomato Puree Hunt's, Thick and Rich! 15-oz. Can 49¢

Everything you want from a store and a little bit more. Prices Effective Mon., Tues., & Wed. Aug. 4, 5 & 6 1980 In Colorado City Sales in Retail Quantities Only!
SAFEWAY
FOOD STAMPS GLADLY ACCEPTED!

AUGUST 03 1980

Senior Citizen's Calendar

VBS Begins Monday

The 22nd and Austin Church of Christ will have their Vacation Bible School beginning Monday at 9:30 a.m. The Vacation Bible School will continue through Friday.

New Arrival

Mr. and Mrs. Horace Loper, Snyder, are the proud parents of a 8 lb., 12 oz., baby boy, Jason Wayne, born July 26 in Root Memorial Hospital.

For Your Convenience

Eddie's
of Colorado City

Is Your One-Stop Health Care Center

30-Day Charge Accounts

Eddie's Has A Complete Line Of Pharmaceutical Products To Serve You In Addition To: Delivery Service

Prescriptions Accurately & Promptly Filled
Two Registered Pharmacists To Serve You
Drive Up Window Service

After-Hour Prescription Service
If We Are Closed Phone
728-2575 Or 728-5802

Records Maintained For Insurance & Income Tax Reports

Let Eddie's Fill Your Next Prescription

Eddie's
of Colorado City
Truth and Honesty

COLORADO CITY MONDAY

9:30 a.m.-Ceramics. TUESDAY

9:30 a.m.-Ceramics. Noon-Noon meal will be served.

Noon - Nutritional meal served. FRIDAY

10:30 a.m.-Cinnamon rolls, coffee and juice served.

Noon - Nutritional meal served.

Local Church News

ST. LUKE METHODIST
Monday - Thursday 7:30 p.m.-Revival services.
FIRST BAPTIST SUNDAY
7 p.m.-Service in the park with fellowship, singing and preaching.
FIRST UNITED METHODIST SUNDAY
4 p.m.-UMW will meet in church parlor.
FRIDAY
11:45 a.m.-Wesley Class will meet.
22ND & AUSTIN CHURCH OF CHRIST
Monday - Friday 9:30 a.m.-11 a.m.-Vacation Bible School.

TUESDAY
7 p.m.-Devotional and fellowship at Root Valley Fair Lodge.
WEDNESDAY
9:30 a.m.-Ladies' Bible study and prayer.
CALVARY BAPTIST TUESDAY
5:30 a.m.-Men's prayer and breakfast.
OAK STREET BAPTIST MONDAY
7 p.m.-WMU will meet.
FIRST ASSEMBLY OF GOD THURSDAY
10 a.m.-WM's will meet.
FRIDAY
7 p.m.-Royal Rangers will meet.

WEDNESDAY
9 a.m.-4 p.m.-Medical trips. Phone 728-2330.
10 a.m.-2 p.m.-Social Security representative will be at the center.
THURSDAY
10 a.m.-Noon - Blood pressure check.
Noon-Noon meal will be served.
LORAIN MONDAY
10:30 a.m.-Cinnamon rolls, coffee and juice served.
Noon - Nutritional meal served.
WEDNESDAY
10 a.m.-Movies.
10:30 a.m.-Cinnamon rolls, coffee and juice served.



JACK WAGNER, center, Thursday was honored on the occasion of his retirement after 29 years of service to the City of Colorado City in the water department. Pictured with him are his wife and Buzz Rich, city water superintendent. Rich presented Wagner with a watch on behalf of the city.

EFFECT OF TAX INCREASE

The Commissioners of Mitchell County propose to adopt a tax rate of \$1.25 per \$100.00 of value based on 25% assessment for the 1980 roll.

This compares to a tax rate of \$1.25 per \$100.00 of value based on 25% assessment for the 1979 roll. The tax rate in fact will be the same for the 1980 year.

The average home owner's county taxes will be the same as 1979.

NOTICE OF TAX INCREASE

The Westbrook Independent School District proposes to increase your property taxes to \$1.10 per \$100.00 of value on a 28% assessment.

A public meeting to vote on the increase will be held on August 11, 1980 at 8:00 p.m. in Westbrook High School, Westbrook, Texas.

The Westbrook Independent School District Board of Trustees has considered the proposal and voted in a public hearing on the tax increase as follows:

FOR the proposal to increase tax rate:

William Conaway, Jr.
Cleburne Rich
Don Burnett
E. A. Oden
Warren Zant

AGAINST the proposal to increase tax rate:

None

ABSENT and not voting:

Jerry Webb
Floyd Ritchey

NOTICE OF TAX INCREASE

The Mitchell County Commissioners Court proposes to increase your property taxes by fifty-four (54) percent.

A public hearing on the increase will be held on August 12, at 7:00 p.m. at the Mitchell County Courthouse, Colorado City, Texas.

The Mitchell County Commissioners Court has considered the proposal and voted in a meeting of the Commissioners Court as follows:

FOR the proposal in increase taxes:

W. M. Vest
Johnny Shackelford
Paul Hunter
Billy Preston

AGAINST the proposal in increase taxes:

None

ABSENT and not voting:

Bill F. Carter

T
Bus Ser
RAI APPL & We Was Dry Refrig Air Con & Also TV For TV Also Ran Appl 728-
FURN REFIN 728- C 728-
D. Licens 2 month Hours 6- 11:30 p. Snack 728-
Will do wat ing run c pumps and Phone Eric 728 1654 or 728 2161 Lic
PLUM SPEC
We're Westing tributor plumbing lion and work P 5511. Colora Plumby Refrig Johnny Lamme 1218 Hick
NELL'S 1826 Color 72 1 Block No
SELF C-CITY MINI W 72
Chane Ins Be Colorado Resident Free 915
CA INSTA From the The 4 repair Pioneer 72
HOO RE Long
F. J. West O Monday 8:30 Satur
Will do w ing, cas work and 728 3083.
YE CE CO Zenith Stereo croway Service. A Line 157 E.

It Makes Good "Cents" To Advertise In The Classifieds

Phone 728-3413 or 728-3414

Business Services

RAMAGE APPLIANCE & TV
We Rent Washers, Dryers & Refrigerated Air Conditioners & Also Color TV's
For TV Service Also Call Ramage Appliance
728-3373

FURNITURE REFINISHING
728 3604
OR
728 3170

Doris' Licensed Day Care
7 months - 13 years
Hours: 6:30 a.m. until 11:30 p.m. 7 days.
Snacks lunch
728-5554

Will do water well drilling, run casings and pumps and clean out
Phone Ernest Robinson
728 1654 or Jack Miller
728-1661 License No. 748

PLUMBING SPECIALISTS
We're the local Westinghouse distributor. We do plumbing, refrigeration and heating work. Phone 728-5511.
Colorado City Plumbing and Refrigeration
Johnny Tammen
1218 Hickory

NELL'S FLOWERS
1826 Chestnut
Colorado City
728-3821
1 Block North of Hospital

SELF STORAGE C-CITY JEWEL BOX MINI WAREHOUSE
728-5511

Chaney Brothers Insulation
Box 1215
Colorado City, Texas 79512
Residential Commercial
Free Estimates
915-728-5983

CARPET INSTALLATION
From Back Jute Vinyl, Tile, Drop Stream, Carpet Cleaning, Etc.
Phone
Pioneer Maintenance 728-5636

BOOT & SHOE REPAIR
Loughorn Leather Works
F. Interstate 20
West of Wood's Bonds
Monday thru Friday
8:30-12 & 1:30-5:30
Saturday: 8:30 Noon
728-5067

Will do water well drilling, casings, windmill work and pump. Phone 728 3083.

TELEVISION CENTER OF COLORADO
Zenith Televisions, Stereo and Sharp Microwave Ovens. We Service Zenith Televisions. We Now Have A Line Of Gift Items.
157 E. 2nd 728-2227

Business Services

HBO

THE HAIR AFFAIR
4 Expert Beauticians To Serve You
Tuesday - Saturday
271 Elm 728-2343

Downtown Bookstore will be closed for 30 days.

Honey Locally Produced
BY L.C. MORRIS
852 E. 12th
Call after 5 p.m.

I will do sewing in my home. Phone Becky Manning at 728 3009 after 5:30 p.m. No alterations please.

Mitchell County Hospital District
W.B.A. Host Memorial and Reed Valley Fair Lodge is an equal opportunity employment health care facility. Employment offered to qualified persons without regard to race, color, sex, national origin or handicap.

We do septic tanks, small leveling jobs, welding and repairs.
Lake Area Only.
Phone 728 5949 or 728-2804

Wilson Auto Electric Co. Repair on starters, generators, alternators, magnetos, 408 E. 3rd St., Big Spring. Phone James Norwood, owner, 267-8721

Color and black and white TV repair. All brands. Used TV's.
John Sanders
620 Chestnut 728-3863
Service call: 512-50.

Cut & Sew Barber Shop
Men's hair styling
1510 Westpoint, E. Hwy 80
Tues. Sat. 9 a.m. - 6 p.m.
728-5531
Dixie to Mitchell Road
Leas Sprades
Barbers & Stylists

ELECTROLUX
Vacuum Cleaners
Shampoos
Sales & Service
R.S. & Eva Wallis
1098 Pine 728-4765

Coc Construction Co.
CUSTOM HOME REMODELING
Building Of All Types.
FREE ESTIMATES
PHONE 728-8258

NEED A PLUMBER?
Phone Bob Tammen

BOJOS
Now Has All Your Plumbing Supplies.

MOHAWK CARPETS

THE CARPET SHOP

MORRIS PAINTS

THE CARPET SHOP

MORRIS PAINTS

Business Services

Will do furniture upholstery. Free estimates, free pickup and delivery. Phone 728-2158.

Beauty Boutique
Nylons
Jean Mitchell
Jean Burroughs
Open Monday - Friday
Phone 728-5404
1815 Locust Street

AUTHORIZED KIRBY DEALER. New and rebuilt Kirby's. Sales and Service. For free demonstration phone collect 235-1303. 115 W. Broadway, Sweetwater, TX.

Western Mattress Co. Bi-weekly sales and service. Phone 727-2333 and leave name.

Mower and chain saw parts and repair. 728-5714. Southside Service Center.

Public Notice

Notice is hereby given that a Public Hearing will be held by and before the Board of Trustees of the Colorado Independent School District, Colorado City, TX on August 11, 1980 at 7 p.m. in the Administrative Curriculum Center Building Board Room located at 534 East 11th Street in the City of Colorado City, Texas.

Purpose of said hearing is to adopt a budget for the Colorado Independent School District for the fiscal year beginning September 1, 1980 and ending August 31, 1981.

By Order of the Board of Trustees
Colorado Independent School District
T.L. Rees, President

Notice is hereby given that a Public Hearing will be held by and before the Board of Trustees of the Loraine Independent School District on August 11, 1980 at 8 p.m. in the Homemaking Department at the Loraine School. Purpose of said hearing is to adopt a tax rate and budget for the Loraine Independent School District for the fiscal year of 1980-81.

Ronald Bruce, President
Board of Trustees

There will be a public abandoned car auction at Dossey Wrecker Service on East Highway 80 on the 16th day of August at 10 a.m. authorized by Mitchell County Sheriff's Office. The following cars will be auctioned off: 1974 Austin, 1964 Oldsmobile, 1972 Pontiac, 1967 Chevrolet and a 1973 Chevrolet.

BUDGET HEARING
Notice is hereby given that a public hearing will be held by and before the County Commissioners Court on August 11, 1980 at 10 a.m. in the Commissioners Courtroom in the County Courthouse. Proposed said hearing is to adopt the 1981 budget.

County Judge
Bill F. Carter

Buy & Sale

Bodine Dairy
Huford Highway Or Local Grocery Store (Only Eggs)

WANT TO BUY: Good used furniture. Phone Marie Shy, 915-573-5312, Snyder.

Buy & Sale

FOR SALE: 1975 3/4 ton Ford pickup; 1971 Jeep and a 1973 Suzuki motorcycle. Phone 728-3076 after 5 p.m.

FOR SALE: 1978 Ford Courier pickup. Extra clean, five-speed, AM-FM, radio, long bed. Phone 728-3367 or 728-5866.

FOR SALE: Cab over camper, refrigerated air, propane stove with oven, ice box, porta-potty, excellent condition. See at 1208 Pine or phone 728-2028.

FOR SALE: 1978 Deck boat with tape deck. Economical 4 cylinder, Chevrolet engine, inboard and outboard, \$6,250. 48 hours total time. Phone 728-3422.

FOR SALE: 1977 Pontiac TransAm. 56,000 miles. For more information phone 728-3515 or 728-2571.

FOR SALE: 730 John Deere tractor. Can be seen at Claxton Repair Shop behind Hutchins Ford or phone 728-8425 or 728-3574.

FOR SALE: One 22,000 BTU, 220 volt refrigerated air conditioner. Phone 728-5747.

FOR SALE: 1974 AMC station wagon sportabout. Automatic transmission, power steering and brakes, 6 cylinder engine, gets excellent gas mileage, top condition. Phone 728-3098 after 5 p.m. weekdays and all day Saturday and Sunday.

FOR SALE: Wards refrigerator and a Deeborn evaporative cooler. 2 years old. Phone 728-5553.

FOR SALE: 1977 Chevrolet Silverado. Loaded. New tires. \$3,300. Phone 728-5050.

FOR SALE: Dune buggy. Nearly new engine, fiberglass body, completely reworked. Phone 728-3064.

FOR SALE: 1969 Ford 4-wheel drive. Good condition. Phone 728-5984 after 4 p.m.

FOR SALE OR TRADE: 1979 Ford pickup. F-150 Custom, standard transmission, power brakes and power steering, AM-FM radio, tape deck, heater and tool box. Phone 728-2246.

FOR SALE: Used refrigerator. \$75. Phone 728-8272.

FOR SALE: Suzuki 185 dirt bike. Good engine but needs a little work on the body. \$250. Phone after 5 p.m. 737-2708.

Vinyl siding, storm windows, storm doors, Soffit & Fascia, chain link and fireplaces, Aluminum screens, sun screens, turbon vents and replacement aluminum windows. 100% financing available.
IDEAL EXTERIORS
1719 Vine 728-2686

EXXON
Interstate Station in Colorado City For Lease. Immediate Possession Available. For information concerning this station, Phone Blaine Bushman Collect at 563-2842 between 8 a.m. & 5 p.m. Monday through Friday. After 5 p.m. or Saturday or Sunday 697-3806.

ANNOUNCEMENT
I am very pleased to announce that Ray Boyd and son are coming back to Colorado City to build homes. He was here for two years and did a good job, so I gladly recommend him to you. He will do a good job.

W.H. Cox
728-2169

Buy & Sale

FOR SALE: 1972 Oldsmobile Delta 88 Royale. Good condition. Phone 728-2546.

FOR SALE: Wildcat spray rigs. Phone anytime 728-2773 or 728-2089.

FOR SALE: 1977 Oldsmobile. 41,000 miles. Phone 728-5487.

FOR SALE: 5 year old Shetland pony. Phone 728-2412.

Houses For Sale-Rent

FOR RENT: FHA Approved mobile home lots. \$45 per month, water furnished. Hilltop Trailer Park. Phone 728-2092 or 728-5854.

FOR SALE: 3 bedroom house. Living room, fireplace, large dining room, central heating and air conditioning, large front porch and garage. On same lot, 2 bedroom apartment house with utility room and carport. 764 E. 5th. \$24,500 appraised. Phone 728-2329.

FOR RENT: Furnished trailer. All bills paid. Phone Bojo's, 728-8230.

HOUSE FOR SALE: 829 E. 8th. (Appraised at \$24,000. Make an offer. Phone 728-3100.

Office building for rent. Newly remodeled. Phone 728-5511.

HOUSE FOR SALE: 3 bedroom, 2 bath, large living and dining area, fireplace, Cathedral ceilings, large corner lot and refrigerated air. A house with extras on 102 W. 21st. Phone for appointment 728-2322.

FOR SALE: 2 bedroom brick house. 417 E. 9th. Terms negotiable. For more information phone owner at 915-576-2687 at Hamlin.

HOUSE FOR SALE: 3 bedroom, 2 bath with dressing area. Large dining room or den. Paneled throughout, carpeted, concrete storm cellar. Phone 728-2010 after 5 p.m.

FOR SALE: Farms and ranches, houses and residential lots. Phone R.B. Baker Real Estate, 728-5052, Henry Billberry, 728-3227 or Rita Latimer, 728-2126.

FOR SALE: 42 acres. \$675 an acre. Contact R.W. Baker at 817-897-2728.

Howard S. Wright Realty
422 E. 9th
Phone Fleta Lewis
728 2001 or Flo McKenney 728-5879 for your Real Estate needs.

FOR SALE: Comfortable lake cabin. 2 bedroom, den, built-in kitchen, washer-dryer hookups, recently remodeled, public water, gas and cable TV, water well on 2 large deeded lots. Will consider trade for oilfield equipment. George Powell, Agent, 728-5036.

FOR SALE: Farms and ranches, houses and residential lots. Phone R.B. Baker Real Estate, 728-5052, Henry Billberry, 728-3227 or Rita Latimer, 728-2126.

Mobile Home lots for rent for total electric or other. Phone 728-2169.

The Suddenly Beautiful Stimulift will take years off your appearance without surgery or dangerous chemical peeling. The special blend of proteins, vitamins, enzymes and minerals in Stimulift, plus the incredible benefits of aloe vera and jojoba oil, combine to attack such common skin problems as:

WRINKLES AGE LINES BROWN SPOTS **BLEMISHES DRY FLAKY SKIN CREPEY THROAT**
Phone 728-3068

Help Wanted

Coin Operated Game Route for sale in this area. Excellent income producer, exceptional tax benefits. Will sell all or part. For more information phone Mr. W.H. Cushman at 1-800-327-9191 Ext. 537.

HELP WANTED!!
Experienced transport drivers. HOFSCO. Phone 573-5473.

NEEDED nurses aids to work 4 nights on and 4 nights off. 11 p.m.-7 a.m. Experience preferred. Contact Mrs. JoAnn Merket at Root Memorial Hospital.

HELP WANTED: Spread the word. Immediate openings for LVN's. 7-3 shift, \$40, 3-11 shift, \$42. \$1,000,000 hospitalization policy, life insurance, vacation, holidays, savings bond plan and meals. Travel expense if qualified. Apply at Kristi Lee Manor, Colorado City, 728-5247.

CIRCULATION MANAGER NEEDED
Apply in person at Colorado City Record Office.

Real Estate

FOR SALE: 3 bedroom house with central heating and air conditioning. 1220 Vine. Phone 728-2417.

FOR SALE: 2 bedroom brick house. 417 E. 9th. Terms negotiable. For more information phone owner at 915-576-2687 at Hamlin.

HOUSE FOR SALE: 3 bedroom, 2 bath with dressing area. Large dining room or den. Paneled throughout, carpeted, concrete storm cellar. Phone 728-2010 after 5 p.m.

FOR SALE: Farms and ranches, houses and residential lots. Phone R.B. Baker Real Estate, 728-5052, Henry Billberry, 728-3227 or Rita Latimer, 728-2126.

FOR SALE: 42 acres. \$675 an acre. Contact R.W. Baker at 817-897-2728.

Howard S. Wright Realty
422 E. 9th
Phone Fleta Lewis
728 2001 or Flo McKenney 728-5879 for your Real Estate needs.

FOR SALE: Comfortable lake cabin. 2 bedroom, den, built-in kitchen, washer-dryer hookups, recently remodeled, public water, gas and cable TV, water well on 2 large deeded lots. Will consider trade for oilfield equipment. George Powell, Agent, 728-5036.

FOR SALE: Farms and ranches, houses and residential lots. Phone R.B. Baker Real Estate, 728-5052, Henry Billberry, 728-3227 or Rita Latimer, 728-2126.

Mobile Home lots for rent for total electric or other. Phone 728-2169.

The Suddenly Beautiful Stimulift will take years off your appearance without surgery or dangerous chemical peeling. The special blend of proteins, vitamins, enzymes and minerals in Stimulift, plus the incredible benefits of aloe vera and jojoba oil, combine to attack such common skin problems as:

WRINKLES AGE LINES BROWN SPOTS **BLEMISHES DRY FLAKY SKIN CREPEY THROAT**
Phone 728-3068

ANNOUNCEMENT
I am very pleased to announce that Ray Boyd and son are coming back to Colorado City to build homes. He was here for two years and did a good job, so I gladly recommend him to you. He will do a good job.

W.H. Cox
728-2169

Miscellaneous

Mobile Home Insurance. Finance your premium, small down. Homeowner's policy most doubles. All Mobile Home Homes. Abilene Mobile Homes, 672-6466.

Would like to babysit children in my home. Phone 728-3748.

Responsible hunters need deer lease. Phone collect 915-697-2365 or 915-694-0854.

Will do babysitting in my home 7:30 a.m.-5:30 p.m. All ages. Monday-Friday. 728-5657.

10 per cent off on all custom made draperies during July and August. Wanda Sikes, 728-3309.

TO GIVE AWAY: Female part German Shepherd. Phone 728-8262 or 728-5922.

Mitchell Masonic Lodge 563
will meet Tuesday August 5 at 8 p.m.
Roger W. Wells
Worshipful Master;
Charles M. Godwin,
Secretary.

Garage Sale

GARAGE SALE
644 Chestnut
Monday, August 4
8 a.m.-4 p.m.

MOVING SALE
961 E. 16th. 8 a.m.-6 p.m. Hand tools, furniture and miscellaneous.

CHAMBER, From Page 1
and the exact date for the tour.

Another discussion will involve a youth play day Labor Day at the Rodeo Arena.

In other business, the board will hear committee reports.

Custom Plans and Homes built to suit by FmHA, HUD, Conventional and VA specifications. Various lots throughout the city. Contact Ray Boyd, Abilene 692-0826 or Salesman W.H. Cox, 728-2169 or Wayne Boyd, 673-4185.

Real Estate Woods
Jerry & Winnie Putman
Home Ph. 644-2221, Office 728-2646

Lake Colorado City Property.

200 Acre Farm S/W of C-City. 3 B/R House With Fruit Trees, Storm Cellar, Commercial Water & TV Cable. 1/4 Mineral Rights. Owner Will Carry With 1/2 Down With 10% For 20 Years. \$625 Per Acre.

3 B/R, 2 Bath. 941 Elm.

4 B/R, 2 Bath Brick With One Car Garage Attached. 833 E. 14th. \$32,000.

2 B/R, 1 Bath. Chain Link Fenced Orchard. Several Storage Buildings On 3 Lots. 629 Pine, \$20,000.

If you want to sell your farm, home or lake property, we need listings.
Jerry & Winnie Putman
Home Ph. 644-2221, Office 728-2646

DRAFT, From Page 1

deal of bitterness about their treatment after the war. Ninety-one per cent of the veterans served in Viet Nam agreed with the statement: 'Looking back, I am glad I served my country.' Two-thirds of Viet Nam veterans say that they would serve again if asked.

"The survey also confirmed an advance sample finding that although only one in five Americans still support America's involvement in the Viet Nam war, a great majority of the public has a high regard for the veterans who fought the war.

"Other survey findings included: -'Nearly three-quarters of the veterans of earlier wars feel that people their own age gave them a friendly reception compared to less than half of the Viet Nam Era veterans.

-'Most of the veterans who served in the Viet Nam area said they have experienced moderate of heavy combat conditions while there.

-'The vast majority of educators report that neither age, nor military experience nor discrimination has been a problem for Viet Nam Era veterans at their schools. They rate the veterans frequently 'better' than other students.

-'Seven out of 10 Americans favor preferential hiring of veterans for federal jobs. There was nearly equal support for this among women as well as men.'

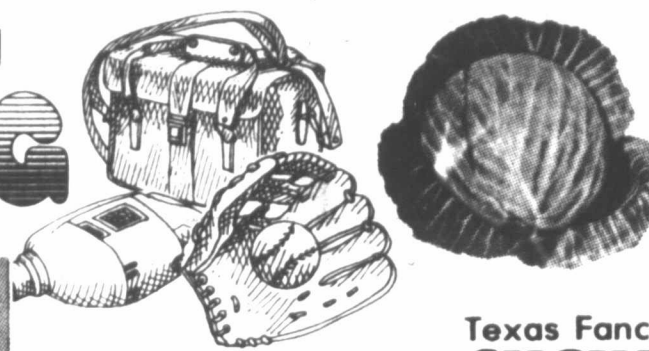
DOVE, From Page 1

appeal to the majority of hunters," Dunks said. Bag limits will remain unchanged from last year, at 10 per day, 20 in possession.

The north zone is comprised of Kinney, Uvalde, Medina, Bexar, Comal, Hays, Travis, Williamson, Milam, Robertson, Leon, Houston, Cherokee, Nacogdoches and Shelby Counties and all counties to the north and west.

AUGUST 3 1980

MORE THAN DISCOUNT! WE GIVE YOU
TOTAL SHOPPING
VALUE! BRAND-NAMES! LOWER PRICES!
 PLUS VALUABLE S&H GREEN STAMPS TOO!



Texas Green
CABBAGE
 Lb. **19¢**

AT FULLER FOODS

Double S&H Green Stamps Tuesday Afternoon Beginning At 1 P.M. AND All Day Wednesday PLUS. These Specials Are Good Beginning Today (Sunday) Thru Wednesday.

Texas Fancy **CUCUMBERS**..... Lb. **39¢**
 California Le Grande **NECTARINES**..... Lb. **59¢**
 California Red **ONIONS**..... Lb. **39¢**

Wilson's Certified
FRANKS
 12 Oz. **99¢**
 Pkg.



Turner's
CANTALOUPE
 Lb. **21¢**

Shurfresh
BACON..... 12 Oz. **99¢**
 Pkg.



Shurfine Frozen
BRUSSEL SPROUTS
 10 Oz. **49¢**
 Pkg.



Fresh
GROUND CHUCK
\$1.59
 Lb.



Jeno's Cheese, Sausage, Pepperoni, Hamburger Or Combination
FROZEN PIZZA..... 11 Oz. **\$1.19**
 Pkg.
 Morton's Frozen Apple, Cherry Or Peach
FRUIT PIES..... 24 Oz. **\$1.09**
 Pkg.

Gooch's **HOT LINKS**..... Lb. **\$1.29**

Glover's Dutch Oven **FRANKS**..... 3 Lb. **\$3.59**
 Pkg.

Senor Blue's Beef & Bean **BURRITOS**..... 4 Ct. **89¢**
 Pkg.

Thrift King Pre-Creamed
SHORTENING
 42 Oz. **\$1.19**
 Can

Shurfine Frozen Assorted Flavors
MELLORINE
 1/2 Gal. **89¢**
 Crtn.



Shurfine Fancy
CATSUP
 32 Oz. **79¢**
 Btl.



Hunt's
TOMATO SAUCE
 5 8 Oz. **\$1**
 Cans



Market Cut Red Rind **CHEESE**..... Lb. **\$1.98**
 Price's Bulk Pimiento **CHEESE SPREAD**..... Lb. **\$2.09**

Alabama Girl Sliced **DILL PICKLES**..... 22 Oz. **69¢**
 Jar

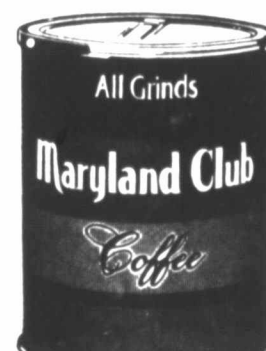
Shurfresh Reg. Or Dip **POTATO CHIPS**..... Twin **79¢**
 Pak

Spam **LUNCHEON MEAT**..... 12 Oz. **\$1.39**
 Can

Thrift King **PORK & BEANS**..... 4 15 Oz. **\$1**
 Cans

Bush's Best **PINTO BEANS**..... 3 15 Oz. **\$1**
 Cans

Maryland Club Reg., Drip Or Electric Perk
COFFEE
 1 Lb. **\$2.99**
 Can



Velvet Soft Spread Plastic 2 Lb. **99¢**
OLEO..... Tub
 Shurfresh Pure Vegetable Quarters **OLEO**..... 1 Lb. **49¢**
 Pkg.



Thrift King Liquid Reg. Or Lemon
DETERGENT
 32 Oz. **59¢**
 Btl.

Thrift King **FLOUR**..... 25 Lb. **\$3.69**
 Bag

Palmolive Liquid
DETERGENT
 13' Off 22 Oz. **99¢**
 Btl.

Affiliated Notebook
FILLER PAPER
 200 Ct. **99¢**
 Pkg.

Hi-Dri
PAPER TOWELS
 Big Roll **59¢**

Roxey **DOG FOOD**..... 5 15 Oz. **\$1**
 Cans

DOUBLE
ON ALL PURCHASES

Beginning At 1 P.M. Tuesday & All Day Wednesday

Lipton's 100% Pure
INSTANT TEA
 3 Oz. **\$1.99**
 Jar



Shasta Cola, Orange, Root Beer, Grape Or Strawberry
DRINKS... 2 Litre **99¢**
 Btl.



Wagner's **THIRST QUENCHER**..... 32 Oz. **59¢**
 Btl.

WE REDEEM USDA FOOD STAMPS

FULLER FOODS

