

Big Spring Herald Wednesday

'The crossroads of West Texas'

BIG SPRING, TEXAS, MARCH 26, 1980

PRICE 20c

VOL. 52 NO. 257

16 PAGES 2 SECTIONS

PRICE 20c

Kennedy's challenge gets new life

NEW YORK (AP) — Sen. Edward M. Kennedy won a new lease on his challenge for the White House with a surprise landslide over President Carter in New York and another upset in Connecticut. But he still is campaigning against long odds.

Republican Ronald Reagan padded his hefty Republican lead, winning big in New York on Tuesday while losing to George Bush in Connecticut.

Kennedy's first primary victories outside his own Massachusetts came just as the Carter camp was gaining support for its less-than-subtle suggestions that the time had come for Kennedy to quit and help Democrats unite behind the president.

The defeat he dealt Carter in New York, 59 percent to 41 percent, vir-

tually guaranteed that the senator from Massachusetts will be competing all the way to the Democratic National Convention.

But Carter gained nominating delegates in defeat, and his national count reached 45 percent of the majority it will take to win the Democratic nomination.

Kennedy said Tuesday night that the voters had sent a clear message to Washington and to their party: "They can no longer afford an inflation rate of 18 percent and interest rates that match..."

"And I think we're going to see that repeated in states all across this country," he said.

Carter's campaign chairman, Robert Strauss, said it won't happen.

He called the twin losses "no more than a dip...in the road toward the nomination." He said the primaries in Wisconsin and Kansas next Tuesday will put the president "back on the victory road."

Kennedy seemed to be conceding as much. Aides said he did not plan to campaign personally for those contests, but would turn at once to Pennsylvania, which holds the next of the big-state Democratic primary elections on April 22.

With victory in Connecticut, his boyhood home, Republican Bush won a chance to keep going. He was at work today in Wisconsin.

But the odds are as bleak for him as for Kennedy. Reagan, like Carter, has built a commanding lead in

nominating delegates, and it will take a succession of landslide defeats to stop him.

"There are a lot of primaries to go, and I'm sure there will be wins and losses, but I think we're well on the way," Reagan said.

These were Tuesday's Democratic results:

New York
Kennedy 574,566 or 59 percent, for 164 delegates.

Carter 399,862 or 41 percent, for 118 delegates.

Connecticut
Kennedy 98,571 or 47 percent, for 29 delegates.

Carter 87,108 or 41 percent, for 25 delegates.

Lyndon LaRouche 6,481 or 3 per-

cent.

California Gov. Edmund G. Brown Jr. 5,357 or 3 percent.

Uncommitted 13,290 or 6 percent.

Brown did not campaign. He's waiting for Wisconsin. But the Kennedy revival was a blow to his strategy, which was based on the assumption that he could emerge

there as the only alternative to Carter.

In the Connecticut Republican primary, the numbers read:

Bush 70,070 or 39 percent, for 15 delegates.

Reagan 61,333 or 34 percent, for 14 delegates.

Rep. John B. Anderson of Illinois

40,481 or 22 percent, for 6 delegates.

Meeting scheduled for Monday

Union says no to Cosden offer

By STEVE HERSHBERGER
The labor union representing Cosden employees voted down a management offer Wednesday night.

A spokesman with Cosden said today. "They have advised us that the members voted against it," the spokesman said.

J.D. Fortenberry, a business representative with the International Union of Operating Engineers, said a high turnout of some 500 union members rejected the Cosden offer.

Representatives of the I.U.O.E. will meet again with Cosden management officials at 10 a.m. next Monday.

The offer called for a 40-cent hourly increase on top of a 6 percent wage increase previously negotiated, the spokesman said. The offer also contained two hospitalization and medical plans.

The spokesman with Cosden said, "We offered an improved hospitalization and medical plan with no dental." The alternative for the union members was the present

hospitalization and medical plan with a dental plan that has a \$15.50 company contribution for a family or \$4 individually.

Fortenberry said of the medical plans, "It is short of money. The terms of the contract are unacceptable to the membership."

The IUOE has a right to strike at midnight next Monday if an agreement is not reached following subsequent negotiations. The decision to strike must come after a vote of the union's membership.

Nationally, oil companies and the Oil, Chemical and Atomic Workers are in a standoff over negotiations in Denver. Some 60,000 oil workers are in the midst of a twelve-week-old strike.

Proposals from two oil companies have passed the OCAW's National Oil Bargaining Policy Committee. Shell union members agreed to a 52-cent-an-hour wage increase on top of a 5 percent increase already negotiated. Shell workers will get a 10.5 percent wage boost in 1981.

Workers with the Rock Island Refinery ratified a two-year contract last Friday.

Labor and management officials here believe an agreement will be reached before the April 1 strike deadline.

"We don't expect to strike on April 1," Fortenberry said.

The spokesman with Cosden said, "We are optimistic there is not going to be a strike."

If there were a suspension, the spokesman said, "We would still operate the plant."

Murder, aggravated robbery

Ismael Juarez sentenced to 33 years in prison

Ismael Juarez Jr., 1003 N.W. Second St., was sentenced to serve 33 years in prison on murder and aggravated robbery charges after he had entered two pleas of guilty Tuesday, one in 118th District Court here and the other in 32nd District Court in Colorado City. The two sentences will run concurrently and Juarez will be given credit for two years already spent behind bars.

Juarez, 19, was transferred to Lubbock Tuesday afternoon, where he boarded a Texas Department of Corrections bus bound for Huntsville.

District Attorney Rick Hamby said he expected that Juarez would serve 20 years of the sentence and predicted Juarez would have a tough time getting parole.

Juarez waived his right of appeal when he entered the guilty pleas.

Juarez was taken to the 118th District Courtroom here at 11:15 a.m. where he entered a plea of guilt to the murder of Dean Mojica Feb. 21.

Juarez was then transferred to

Colorado City 32nd District Courtroom at 2:30 p.m. where he would have stood trial if he had not entered his plea of guilt.

The trial would have been held out of town as a result of a change of venue.

Juarez entered a plea of guilt in Colorado City to aggravated robbery of Andrew Grouse Feb. 22, 1976 at Winchell's Donut House.

ISMAEL JUAREZ JR.



113 votes cast in-city races

A total of 113 citizens have cast absentee ballots in the city council races. This compares with a total of 232 ballots cast absentee in last year's race, said Tom Ferguson, city secretary.

Deadline for hand-carried absentee ballots is April 1. Mailed ballots will be accepted until 10 p.m. April 3.

In the Big Spring Independent School board race a total of 131 ballots have been cast in the county clerk's office and three mail-in ballots. In the Howard County Junior College race a total of 142 votes have been cast with four mail-in ballots.

posing for photographers.

"This country desperately needs a change," Connally said amid accolades for his former opponent. "I want to be part of the effort that set the course of this change."

At a Longview Chamber of Commerce banquet later Tuesday, he continued to praise Reagan.

"I've always believed if you can't whip 'em, join 'em," he told a cheering crowd of 1,700. "He (Reagan) penetrated the very roots, the very core of the feeling of the American people. I saw it tested in Florida... New Hampshire, Massachusetts and Vermont. But I said wait until South Carolina and

South Carolina came and it went and they spoke and it was still Reagan."

After garnering only one delegate and racking up \$11 million in campaign debts, Connally bailed out of the Republican race March 9, still stinging from a sound whipping in South Carolina.

Connally reiterated that he is not interested in a vice presidential slot or a position in Reagan's administration, should Reagan be elected.

"I have stated repeatedly that I do not want to be vice president," Connally said. "The idea of being vice president does not appeal to me. I don't want anything. I don't want an appointment."

Before departing for Wisconsin, Reagan was greeted by thunderous applause at the Chamber of Commerce dinner, where his strong criticism of Democratic policies won him two standing ovations.

"It is time for the government to get out of the energy industry and turn it loose in the free market," he said. "It is also a time to begin a moral and military re-arming for the decade ahead."

He said the Carter Administration had made a shambles of the national economy by choosing a path of federal deficit spending and easy money. But the economic damage was nothing, he said, when compared to "what the Democrats have done to national security."

SALT II and foreign policy toward the Soviet Union have "depleted the great arsenal of democracy," he said.

"The president says if we don't approve the SALT treaty, no one will like us. I think it's time for the American people to say, 'We don't care if they like us. We want to be respected.'"

Carter's foreign policy borders on "appeasement," Reagan said, adding "it is time for the men and women of the business community to come to the rescue of the country."

Turning to inflation, Reagan said the blame should not rest with consumers and business, but with government.



WRAPPED UP IN HIS SPORT — Scott Wilson retrieves his soccer ball after it lodged at the rear of the net at a recent amateur outing at a soccer field in Lithonia. The three-year-old athlete untangled himself from the net and returned to the playing field to continue his training.

Focalpoint

Action/reaction: Light sentence?

Q. Why was Mike Asselin given such a light sentence when he was responsible for three deaths? Why wasn't he tried for more than one death?

A. District Judge Jim Gregg said 12 citizens on the jury gave Asselin the three-year probated sentence. Foreman Eddy Herm is inaccessible. One juror, William Wheeler, refused comment. Geraldine Martin, Washington Elementary teacher, another juror, said, "I personally didn't agree, understand? But, you can't just have a locked jury and throw it out, can you?" People have to go and listen to it themselves," she said. District Attorney Rick Hamby said he had the same question about the sentence and was "disappointed" in the sentence. Double jeopardy was the reason for not trying more than one case. Hamby said he used the best case he had.

Calendar: Eagle Forum books Shaw

THURSDAY
Big Spring Rotary Club will present the third in its series of five "Passport to Adventure" programs in the Howard College Auditorium at 7:30 p.m. It is entitled "Paris."

Eagle Forum will meet at 7:30 p.m. in the Pioneer Natural Gas Flame Room. Guest speaker will be Larry Don Shaw, candidate for state representative. Public is invited.

Coahoma City Council will meet at 7:30 p.m. at City Hall. Councilmen are expected to appoint an auditor.

FRIDAY
"Astrology — its basis and its meaning" will be discussed at 7:30 p.m. in the Tumbleweed Room of the Student Union Building at Howard College.

Tops on TV: 'The Day Christ Died'

CBS' "The Day Christ Died" has been lauded as both a dramatic and an inspirational success. The show, which airs at 7 p.m., and continues through the rest of prime time, stars the able cast of Chris Sarandon, Keith Mitchell and Hope Lange. If you're feeling classical instead of religious, catch PBS' presentation of Shakespeare's "Henry IV" at 8 p.m. Starring the veteran British actors Anthony Quayle and Jon Finch, the play features major characters representing contrasting perspectives on life and death, honor and value.

Inside: Wants fortune returned

THE MAJORITY OF IRAN'S ruling Revolutionary Council wants to put the American hostages on trial if the shah and his fortune are not returned to Iran, Ayatollah Mohammad Beheshti, Iran's justice minister and the council's first secretary, said today. He also told reporters at his weekly news conference in Tehran that he advocates breaking diplomatic relations with the United States. See page 2-A.

RADIATION WRECKED dreams of sterile Texan. See page 9-A.

Digest 2A Sports 1B
Editorials 4A Weather map 3A

Outside: Mild

Fair and mild today with increasing cloudiness tonight. Mostly cloudy Thursday. Chance of thunderstorms tonight and Thursday. Warmer tonight. High today in the low 70s, low tonight in the mid 60s. High Thursday in the low 60s. Winds will be from the south at 10 to 15 mph this morning, 15 to 20 mph and gusty this afternoon, 10 to 15 mph tonight. Chance of rain is 30 percent tonight, 50 percent Thursday.



FUNNY LINE — Ronald Reagan enjoys a good laugh at something said by former Governor John Connally of Texas during their news conference at Dallas-Fort Worth Airport in Grapevine Tuesday. Connally, who dropped out

of the race for the Republican presidential nomination earlier in the month, announced that he was supporting Reagan in the race.

Iran's ruling council wants to put U.S. hostages on trial

By the Associated Press

The majority of Iran's ruling Revolutionary Council wants to put the American hostages on trial if the shah and his fortune are not returned to Iran, the council's first secretary, Ayatollah Mohammad Beheshti, said today.

Famed Texas surgeon Dr. Michael DeBakey was on his way to Egypt, meanwhile, apparently to operate on the exiled and ailing Shah Mohammad Reza Pahlavi. Cairo newspapers said the shah's doctors have confirmed he has cancer of the spleen.

Beheshti, who also is Iran's justice minister, told reporters at his weekly news conference in Tehran that he advocates breaking diplomatic relations with the United States.

The ayatollah said trying the hostages is "the general idea in Iran" and most members of the Revolutionary Council are behind it if the shah is not brought back to stand trial for his alleged crimes.

Pahlavi avoided extradition proceedings in Panama and fled to Cairo Monday.

Beheshti was the second major leader of the revolutionary regime this week to advocate hostage trials in the wake of the shah's departure from Panama.

The threat of such trials was raised often after young militants seized the U.S. Embassy last Nov. 4 but had not been made for many weeks. It was revived Monday by Ayatollah Sadegh Khalkhali, a leading revolutionary and former chief judge, who said that after the new Iranian Parliament meets those Americans accused of being spies would be judged by revolutionary courts and sent to prison if found guilty, while the others would be freed.

Tens of thousands of Iranians demonstrated outside the embassy Tuesday in support of the militants, and many signed a petition calling for hostage trials.

But Foreign Minister Sadegh Ghotbzadeh said Tuesday there were no plans to try the Americans, and those demanding they be tried were "irresponsible people."

Ghotbzadeh said, however, that the shah "will either have to return to Iran" to face trial "or die." He did not elaborate.

He said the shah's flight to Egypt made the release of the hostages "extremely difficult" because it might turn more members of Iran's new Parliament against freeing them.

The 50 hostages were in their 144th day of captivity today.

In Washington, State Department spokesman Hodding Carter said the U.S. government was continuing "to examine available options that have not been exercised" to free the hostages. He said formal imposition of economic sanctions — essentially a symbolic gesture since U.S.-Iranian trade is virtually cut off — will "always be available as a non-violent option," but breaking relations with Iran would be counter-productive.

petition calling for hostage trials.

But Foreign Minister Sadegh Ghotbzadeh said Tuesday there were no plans to try the Americans, and those demanding they be tried were "irresponsible people."

Ghotbzadeh said, however, that the shah "will either have to return to Iran" to face trial "or die." He did not elaborate.

He said the shah's flight to Egypt made the release of the hostages "extremely difficult" because it might turn more members of Iran's new Parliament against freeing them.

The 50 hostages were in their 144th day of captivity today.

In Washington, State Department spokesman Hodding Carter said the U.S. government was continuing "to examine available options that have not been exercised" to free the hostages. He said formal imposition of economic sanctions — essentially a symbolic gesture since U.S.-Iranian trade is virtually cut off — will "always be available as a non-violent option," but breaking relations with Iran would be counter-productive.

petition calling for hostage trials.

But Foreign Minister Sadegh Ghotbzadeh said Tuesday there were no plans to try the Americans, and those demanding they be tried were "irresponsible people."

Ghotbzadeh said, however, that the shah "will either have to return to Iran" to face trial "or die." He did not elaborate.

He said the shah's flight to Egypt made the release of the hostages "extremely difficult" because it might turn more members of Iran's new Parliament against freeing them.

The 50 hostages were in their 144th day of captivity today.

In Washington, State Department spokesman Hodding Carter said the U.S. government was continuing "to examine available options that have not been exercised" to free the hostages. He said formal imposition of economic sanctions — essentially a symbolic gesture since U.S.-Iranian trade is virtually cut off — will "always be available as a non-violent option," but breaking relations with Iran would be counter-productive.



(AP LASERPHOTO)
ICHI BAN — Gary Coleman, star of the TV series "Different Strokes," thinks his lift by Hawaiian sumo wrestler Jesse Kahuahala is Ichi Ban, or Number One. The young actor and the veteran sumo wrestler met during a visit to the Hawaii State Capitol.

Police beat Intruders steal stereo

Burglars hit the home of Malinda Sue Yockers, 506 State, sometime between noon and 1 p.m. Tuesday.

Once inside the home, the intruders stole a stereo system including a turntable and two speakers. Loss was estimated at \$350.

Vandals smashed the windshield of a pickup belonging to Jerald R. Wilson, 707 Tulane, sometime over the weekend. Damage was estimated at \$175.

A neighbor of M.R. Gilliland, 1501 Mesquite, saw a man in a short-sleeved white shirt rummaging around in Gilliland's car. When the neighbor turned on an outside light, the burglar fled, but he took Gilliland's flashlight with him.

Cost of the flashlight was not estimated.

Three mishaps were reported Tuesday.

A vehicle driven by Sage Johnson, 206 Austin, struck a

parked vehicle belonging to Kenneth Lott, Odessa, on the 500 block of S. Main, 1:35 p.m.

Vehicles driven by Martha Fletcher, 3901 Hamilton, and Kathleen Grimes, 1609 Osage, collided in the lot of Goliad Junior High School, 3:31 p.m.

Vehicles driven by Elbert Clark, 405 N.W. 10th, and Lloyce Rawls, 1611 Scurry, collided at 1500 Gregg, 9:10 a.m.

Homebuilders in right town at wrong time

WASHINGTON — In the lexicon of Washington politics, the four Abilene homebuilders who visited their congressman Tuesday were members of just another special-interest group, trying to squeeze new money out of a potentially balanced budget.

And even as the builders relayed to Rep. Charles Stenholm, D-Stamford, fears of unemployment and bankruptcy in their industry, there was a feeling they had come to the right town at the wrong time.

They brought dire forecasts of the expected loss of nearly 150,000 jobs in the Texas homebuilding industry as the number of housing starts drop by half this year compared to 1978.

"Everyone wants government cut, but they want to keep their own goodies," said builder Jean P. Balch.

"In fact, we are trying to get government to do for us what we want them to quit doing for everyone else. We want a tourniquet put on our industry so it doesn't bleed to death while the economy is getting fixed."

Added builder Scott Moore: "We don't mind

being stabbed like the rest of this country with the inflation, but we don't want to be killed."

The statistics backing up these grim calls for government help were unveiled Tuesday as the National Association of Home Builders held an "Emergency Action Day" that drew some 2,000 members here for meetings and Capitol Hill lobbying.

The NAHB estimates inflation and high interest rates will combine in 1990 to cause the lowest level of housing "starts" since World War II.

The group says the downturn in housing starts — an estimated one million in 1980 compared to two million in 1978 — means the loss of 1.5 million jobs, \$27.5 billion in wages, \$7.5 billion in tax revenues, and \$125 billion in "total economic impact."

The projections for Texas show 115,400 units of housing will be built in 1980, compared to 209,288 in 1978. This 44.8 percent decline will cost a total 148,400 jobs in the state lost between 1978 and 1980, the NAHB said.

"I can sell the \$100,000 houses to the people who pull the money out of their pockets and pay, but people that want the \$50,000 houses can't afford to buy them. They can't find the money," said Gary Hodges, president of the Abilene Home Builders Association.

Builder and land developer I.S. Gathright said high demand for housing in Abilene in the past had enabled some builders to "raise the price just because they could get it. That's the way inflation works."

Aside from warning Congress of their plight, the NAHB hopes to influence two pieces of legislation in the House and Senate. The group would first like to defeat a bill aimed at stopping much of local government's authority to sell tax-exempt bonds. The bonds, used to finance single-family homes, are used for luxury housing in some areas, and the bill's sponsors argue, and

rob the U.S. Treasury of up to \$30 million in tax money each year for each \$1 billion in bonds sold.

The NAHB argues that \$1 billion in bonds creates numerous jobs and plows some \$700 million back into the economy.

A second issue is the Brooke-Cranston program, named after the senators who sponsored the plan that passed through Congress during the 1974 recession.

Under the plan, which Congress must reapprove to put in effect, the federal government purchases mortgages at below-market interest rates, holding them for resale to the private sector when declining interest rates makes them attractive.

HC freshman places second in Frank Phillips Rodeo

Annette Mitchell, freshman from Tularosa, N.M., placed second in breakaway roping with a time of 3.8 seconds in the Frank Phillips Rodeo, held in Borger March 13-16, according to Skipper Driver, coach of the Howard College Rodeo Teams.

Pam Mitchell, sophomore from Tularosa, N.M., placed fifth in the breakaway roping

with a time of 4.5 seconds.

Cody Lambert, freshman from El Paso, placed second in the saddle bronc event, and James Garlick, sophomore from California, placed third in the bareback riding event.

The next scheduled rodeo is the Howard College Rodeo, to be held April 10, 11 and 12 in conjunction with Western Week.

Howard College hosts district UIL contests

Howard College will host the District 9-B district level U.I.L. literary and academic competition Thursday-Friday in the Horace Garrett Applied Science Building, according to Terry Newman, Dean of Students at Howard College.

High schools involved will be Greenwood, Sterling City, Grady, Water Valley and Garden City. There will be 119 student contestants in 14 events. The top three winners in each competition will qualify for the regional meet.

Competition to be held Thursday, will be: Debate competition from 10 a.m. till 3 p.m. in the Dorothy Garrett Coliseum, East Room; science competition from noon till 2 p.m. in the Horace Garrett Applied Science Building, Room S-100; journalism competition from 1 till 4:30 p.m. in the Coliseum classroom; ready writing competition from 2:30 till 4:30 p.m. in the Administration Annex, Room 10.

Friday's competition will be: Slide rule from 10:10-30 a.m. in the Administration

For the record

If a feature on Chris Smith in Sunday's Herald indicated otherwise, the Big Spring High School student has not or will not be recruited by a college or a university until he completes competition in University Interscholastic League events.

To be directly recruited by an institution of higher learning would be a direct violation of UIL rules. For that reason, those in violation could be declared ineligible for further UIL competition.

947 oil rigs busy in Texas

The number of working oil rigs in the state dropped slightly this week.

As of Monday, 947 rigs were making hole, compared to 951 for the previous week. This still tops both the 934 total for last month, and the 703 total for this time last year.

The number of rigs making rose slightly. As of Monday, 2,676 rigs were working, compared to 2,669 for the previous week. This tops both the 2,601 total for last month, and the 1,960 total for this time last year.

Deaths

Keith Birkhead

Services for Keith Birkhead, 90, who died at 11:30 a.m. Monday in a local hospital, were 10:30 a.m. today at the Nalley-Pickle Rosewood Chapel with the Rev. Monroe Teeters, pastor of the First Baptist Church of Coahoma, officiating.

Burial was in Trinity Memorial Park.

pallbearers were Ralph White, E.A. Richters, Billy Spears, Tommy White, Bill Milliken and E.P. Birkhead.

F. L. McMurray

Services for Floyd L. McMurray, 80, who died at 2:55 p.m. Tuesday in a local hospital after a one-year illness will be 2 p.m. Thursday in the Nalley-Pickle Rosewood Chapel with burial at Trinity Memorial Park.

He was born Nov. 5, 1899 in Hillsboro, Texas. He came to Big Spring as a child with his parents. He had lived most of his life in Big Spring. He was a missionary Baptist. He was a veteran of World War II having served in the Army.

He is survived by nine sisters, Mrs. Joe Spinks, Mrs. H.D. McElreath, Thelma McMurray and Mrs. P.L. Daniel, all of Big Spring, Mrs. Ina Ward of Luther, Mrs. U.W. Wallace of Spur, Mrs. Orvil Roberson of Odessa, Mrs. C.C. Maxwell of Evant, Texas, and Ethel Casey of Fort Smith, Ark.; three brothers, W.H. McMurray of Sand Springs, George McMurray of Lubbock, and H.F. McMurray of Plano, Texas; numerous nieces and nephews.

Digest

Sisters discover gas

PITTSBURGH (AP) — The Benedictine Sisters of Erie hope to save more than \$23,000 a year with Josepha 1980, the natural gas well they discovered on their 100-acre property.

Armed with \$100,000 from the sale of stocks given them several years ago, the teaching and social service order of 140 nuns hired a company to drill the well. The nuns discovered they were sitting atop enough of the natural resource to heat their convent for 20 years.

School roof collapses

ANTIOCH, Calif. (AP) — No one was injured but damages could total several thousand dollars following the collapse of a section of roof at the school here, officials say.

The 40-by-60 foot section collapsed Tuesday after heavy rains. The Antioch High School auditorium was not occupied at the time, said school superintendent Francis Fry.

Officials were investigating to determine whether the 26-year-old structure supported by pre-stressed concrete beams may have been damaged in recent earthquakes.

Girl, 8, survives burial

GALVESTON, Texas (AP) — A 21-year-old drifter has been charged with attempted capital murder and aggravated kidnapping in the abduction of an 8-year-old girl who survived a 13-hour burial under a pile of rocks.

Justice of the Peace Phil Hoesy set bond Monday at \$100,000 for Jeffery Stephen Goldberg.

The girl's name has been withheld. But police reports said she disappeared Wednesday after going to play on the beach, and was found 13 hours later buried alive under a pile of rocks. Some of the rocks weighed as much as 40 pounds, authorities said.

The girl was sent home Sunday after treatment at John Seely Hospital for bruises and exposure.

Officer Rick Singleton and Ronald Larmondin, a tourist from Ontario, Canada, said they discovered the child after hearing a whimpering sound coming from the rocks.

Police arrested Goldberg, also known as Steve Cummings, after beach visitors reported seeing the girl walking with a man carrying a backpack. Goldberg's last known address was Santa Monica, Calif.

Midland annexation proposal protested

MIDLAND — The City of Midland is seeking to annex 6½ square miles north of the present city limits but is meeting resistance from some people who live in the area.

An estimated 120 people jammed City Council chambers Tuesday to protest the proposal. The area under consideration stretches between Holiday Hill Road and

Seven from here will attend Youth Councils

The Big Spring Salvation Army Corps will be represented by seven delegates to the annual Texas Youth Councils to be held in Dallas, March 28, 29 and 30. Headquarters for the Salvation Army Councils in Dallas will be the North Park Inn.

The seven delegates who will accompany Lt. and Mrs. Bill Thrasher, commanding officers of the Big Spring Corps, are: Deloris Albert, Jodey Bean, Al Gautreaux, Phyllis Gautreaux, Eva Ledesma, Dorothy Staton and Robin Wikke.

The Centennial Year of the Salvation Army in the United States will be the theme of the Councils this year. Highlight of the three-day convocation will be a production of "Soldier Saint" featuring 110 Texas youths from Corps throughout the state. This four-act musical drama depicts the life of Commissioner George Scott Raiton, who, with seven English Salvationist "Lassies," brought the work of the Salvation Army to the United States in 1880. Twenty-one musical numbers will be featured, accompanied by a 15-piece orchestra.

"This is an important year for the Salvation Army," noted Captain Dan Delaney, Texas divisional youth secretary. "Observing a century of service in our great nation is a fitting

Man receives broken arm when struck by 18-wheeler

A Louisiana man walking on IS 20 received a broken arm when the driver of an 18-wheeler swerved to miss him struck him with the trailer and knocked him into the median.

Willie Gerald Williams Jr., Patterson, La., was walking west in the inside westbound lane of IS 20 when James Wesley Nelson, Oklahoma City, Okla., came up on him. Nelson swerved into the outside lane but caught Williams with the trailer.

Nelson was hauling for Carey Lumber Company of Oklahoma City. The accident occurred at 7:20 p.m. Monday.

Big Spring Police Department was notified at 7:30 p.m. Department of Public Safety Trooper Ben Lockhart was notified at 7:50 p.m.

Williams was taken to Malone-Hogan Hospital by Schaffer Ambulance where he was treated for a broken arm and abrasions. He is in satisfactory condition.

Man receives broken arm when struck by 18-wheeler

A Louisiana man walking on IS 20 received a broken arm when the driver of an 18-wheeler swerved to miss him struck him with the trailer and knocked him into the median.

Willie Gerald Williams Jr., Patterson, La., was walking west in the inside westbound lane of IS 20 when James Wesley Nelson, Oklahoma City, Okla., came up on him. Nelson swerved into the outside lane but caught Williams with the trailer.

Nelson was hauling for Carey Lumber Company of Oklahoma City. The accident occurred at 7:20 p.m. Monday.

Big Spring Police Department was notified at 7:30 p.m. Department of Public Safety Trooper Ben Lockhart was notified at 7:50 p.m.

Williams was taken to Malone-Hogan Hospital by Schaffer Ambulance where he was treated for a broken arm and abrasions. He is in satisfactory condition.

No notice of withdrawal from Midas, mayor says

Mayor Wade Choate disclosed Tuesday afternoon that Midas International has not made any official notice of withdrawing from the Industrial Park.

Midas presently occupies Building T-75 at the park. Informal word has been circulating that Midas may be withdrawing by the middle of April.

The building Midas occupies is being sought by the Gerald M. Bailey Company, which is presently situated at the west end of the industrial park.

Gerald Bailey, president of Gerald M. Bailey, said late Monday that his company and city hall were close to a lease on Building T-75.

"We feel the city is working with us at this juncture," Bailey said. "Everything looks in order."

The Gerald M. Bailey Company began hiring 45 new employees Tuesday for

They wouldn't help

FORT LAUDERDALE, Fla. (AP) — "They could have saved her," the trucker said. "We screamed for help but they wouldn't help us."

David Bosworth, 44, says the teen-age daughter, of his prospective wife was burned to death Monday when his truck, in which she was a passenger, flipped over and burst into flames. He said a crowd of curious spectators stood by on the Georgia freeway and watched as Bosworth tried to free Nell Casey, 16, before the truck exploded.

"There were truck drivers up there and I know they had fire extinguishers," Bosworth said. "The medical examiner told me she would have lived if we had got her out of the fire."

All quiet after rush

LAKELAND, Fla. (AP) — Some people sat outside all weekend for a chance at cut-rate home loans, but when the initial rush subsided things were pretty quiet at loan offices in Polk County.

Lending institutions reported fewer than 125 people showed up to apply the first day the money was available. Under a county-sponsored bond issue, as much as \$35 million is available at 10.5 percent interest, compared to commercial interest rates at near 18 percent. Mortgages are limited to \$48,610.

"It was not as good a response as I thought," said Mike Pearce of Haven Federal Savings and Loan. He said applications Monday may have been slowed by a requirement that signed contracts be in hand.

Do-Si-Do club sponsoring dance

COLORADO CITY — The Do-Si-Do Club of Colorado City will sponsor a Fifth Saturday Night Dance at 8 p.m., March 29 at the corner of Third and Chestnut Streets here.

Burt Whitaker, Big Spring, will be the guest caller.

A salad supper will follow the dance. All square-dancers are being invited to take part in the dance.

Coahoma auditor to be named

COAHOMA — Coahoma City Council will meet at 7:30 p.m. Thursday at the City Hall.

Councilmen will appoint an auditor to review the 1979 Fiscal year, which ran from April 1, 1979 to March 31, 1980. The council will also consider authorizing the city secretary to stop payment on outstanding checks and will take action at a recent Austin hearing.

Markets

Volume	15,240,000
Index	774.06
American Airlines	8 1/2
American Petroleum	3 1/2
Brant	7 1/2
Bethlehem Steel	30 1/2
Chrysler	4 1/2
Dr. Pepper	1 1/2
Enersch	25 1/2
Ford	27 1/2
Firestone	4 1/2
Getty	7 1/2
General Telephone	2 1/2
Halliburton	5 1/2
Harte Hanks	20 1/2

Houston Oil and Mineral	27 1/2
IBM	25 1/2
J.C. Penney	20 1/2
Johnsonville	19 1/2
K-Mart	18 1/2
El Paso Natural Gas	19 1/2
De Beers	8 1/2-14 1/2
Coca Cola	29 1/2
Mobil	45 1/2
Pacific Gas and Electric	29 1/2
Phillips Petroleum	25 1/2
Sears and Roebuck	15 1/2
Shell Oil	61 1/2
Sun Oil	47 1/2
American Telephone & Tele.	25 1/2
Texas	25 1/2
Texas Instruments	25 1/2
Texas Utilities	15 1/2
U.S. Steel	17 1/2
Exxon	28 1/2
Westinghouse	20 1/2
Western Union	29 1/2
Zales	17 1/2

RIVER WELCH Funeral Home

River-Welch Funeral Home
 610 SCURRY
 BIG SPRING, TEXAS

AMCAP

AMCAP
 Investors Co. of America
 Edward D. Jones & Co., Permian Bldg., Room 208, Big Spring, Texas 79720, Phone: 367-2891.

Rita's Flowers

Rita's Flowers
 for all occasions
 263-1203
 809 Lancaster

Nalley-Pickle Funeral Home

Nalley-Pickle Funeral Home
 and Rosewood Chapel
 306 GREGG
 BIG SPRING TEXAS

Shot seize

Joseph Lubbock, Veteran's Medical an attempt from jury.

Chief Sheriff's was told

Five at Sn

Five Bi won priz the Sny Ninth Au Virgin given a \$ for her pu A purc given for Paintin

Char

The q Big Spr be cond Friday. The to one-min followed, with a o tone. Oil serving operation required persons

book

SNYDI Chamber hold its

Siren

Siren test

test

test

test

test

test

test

test

test

test

test

test

test

test

test

Local students place high in choral events

The Big Spring Choral Contest Saturday resulted in high ratings for many Big Spring Independent School District students. The contests were held at Big Spring High School.

Those students from Runnels Junior High receiving first division or excellent ratings were: Carla Bentley, Michelle Bowers, Dawn Ditto, Richard Dills, Phillip Koger, Jody Martinez, Michelle McNamara and Kim West.

Goliad seventh graders receiving first division rating were: Mark Corwin, Jimmy Cowan, Cindy Chavez, Jay Pirkle, Brenda Shirey, Mary Weaver and Willie Wrightsil.

Goliad sixth graders receiving first divisions were: Dana Anderson, Kim Anding, Sharla Bailey, Doug Baum, Suzanne Bowers, Charlie Bott, Chris Churchwell, Stacey Fields, Kevin Freeman, Chris Gaitan,

Dana Hiltbruner, Terry Lynch, Gaylee Osborne, Tommy Ralws, Angela Rodriguez, Christian Rojas and Molly Thompson.

Runnels students winning second division ratings were: Bronwyn Allen, Lupe Bihl, Carol Davy, John DeLeon, Rita Fleckenstein, Kim Jones, Jana Matthews, Bobby Payne, Ty Rangel, Cecilia Rodriguez, Natalie Ryan, Sheri Walker and Billy Wegner.

Goliad seventh graders receiving second division ratings were: Sandra Arellano, Michelle Basham, Stacy Basham, Kim Blount,

Ruby Delgado, Priscilla Escanada, Renee Evers, Jason Farthing, David Freshour, Pam Grant, Margie Kestermeyer, Barbara Holmes, Chip Mattfield, Kellie McLaughlin, Scott Patton, Cindy Parnell, Amanda Perryman, Scott Pitts, Cynthia Puente, Lisa Salazar, Teresa Schmidt, Dawn Underwood, Deric Wagner, Sammy Watson and Rosie Yanez.

Goliad sixth graders receiving second division ratings were: Anissa Bartee, Laura Barraza, Vance Cole, Lathleen Crook, Lori Gilbert, Dana Haney,

Nationally Advertised



Morning Glory

Back Relief Mattresses
famous for Quality since 1903

Riverside
FURNITURE GALLERY

214 MAIN PH. 267-8279

Weather

Most areas of state cool and wet today

By the Associated Press

Most of Texas was cool and damp today. Rain fell over most of South Texas, fog settled on Wichita Falls, and skies were partly cloudy elsewhere.

Temperatures ranged from the 30s in the Panhandle to the 60s in far South Texas.

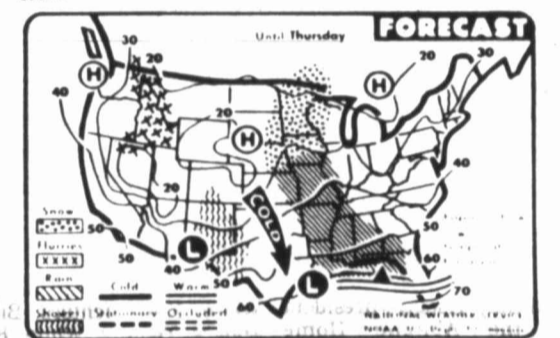
Rain covered an area generally south of a line from Del Rio to Waco to Shreveport, La. A few thundershowers roamed Southeast Texas during the early morning hours, but generally rain was light — with less than a fourth of an inch being reported.

Fog reduced visibilities to less than two miles in the Wichita Falls area, and the National Weather Service issued a statement urging motorists to be especially careful on their way to work today.

The outlook calls for cloudy and mild weather to continue, with the chance of thundershowers for the entire state tonight.

CITY	MAX	MIN
BIG SPRING	75	48
Amarillo	61	37
Chicago	35	30
Dallas	57	42
Denver	50	34
Fairbanks	40	21
Houston	67	57
Las Vegas	60	41
Los Angeles	66	46
Miami	82	71
St. Louis	64	36
San Francisco	54	48
Tulsa	48	39
Washington, D.C.	40	38

Sun sets today at 6:41 p.m. Sun rises 3:27 at 6:41 a.m. Highest temperature this date 92 in 1956. Lowest temperature 18 in 1931. Most precipitation 1.44 in 1923.



Shotgun scalping suspect seized at local VA center

Joseph Edward Lackey, Lubbock, was arrested at the Veteran's Administration Medical Center, Monday on an attempted murder indictment from a Lubbock Grand jury.

Chief Howard County Sheriff's Deputy Bill Whitton was told by Lackey that he "scalped him with a shotgun," referring to the attempted murder victim.

Bond was denied by Justice of the Peace Bob West. Lackey was transferred to Lubbock by sheriff's deputies.

Lackey was hospitalized Friday.

Five Big Springers win prizes at Snyder Palette Club

Five Big Spring residents won prizes last weekend in the Snyder Palette Club Ninth Annual Exhibition.

Virginia Whitten was given a \$200 purchase award, for her painting "Solitude."

A purchase prize was also given to Robert Bon Rosenberg for "Memories."

Painting merit awards were given to James Campbell for "Hunter and Jean Smith Hensley for "Hand Made."

A sculpture merit award was given to Bill D. Brooks for "Live Oak."

The Exhibition took place on March 22 and March 23 at the Scurry County Coliseum. Entries numbered 308.

'New Music America' set

MINNEAPOLIS, Minn. (AP) — More than 75 "New Music" composers, performers and ensembles from throughout the nation are to gather in the Twin Cities June 7-15 for a music festival.

The festival, entitled "New Music America," is sponsored by Walker Art Center and the Minneapolis Star in conjunction with the Minnesota Composers Forum and the Minneapolis College of Art and Design.

Chamber of Commerce books annual banquet Friday

SNYDER — The Snyder Chamber of Commerce will hold its annual banquet at 7:30 p.m., Thursday, April 10, in the Scurry County Coliseum. Tickets are \$10 each.

Reservations can be made by calling or writing the Snyder Chamber of Commerce, Drawer CC, Snyder, TX 79649. The phone number is 915-673-3558.

Payment for the tickets should be made when reservations are made.

Guest speaker will be Texas Gov. Bill Clements. Reservation should be made no later than Friday, April 4.

Charles Henderson is the Chamber president. He will be succeeded by Joe Flack.

Siren system test Friday

The quarterly test of the Big Spring Siren System will be conducted at 10 a.m. Friday.

The test will consist of a one-minute steady tone, followed by one minute of silence, and will conclude with a one-minute wailing tone. Other than those observing the siren's operations, no action will be required on the part of C.D. personnel.



Gibson Discount Centers

AD PRICES GOOD THRU SATURDAY

 <p>2 LITER COKES 2/1.49</p>	 <p>COFFEE-MATE NON-DAIRY CREAMER 16 OZ. REG. 1.99 1.29</p>	 <p>WOLF BRAND CHILI WITHOUT BEANS 19 OZ. REG. 1.33 99¢</p>
 <p>UPPER-10 LEMON-LIME OR A & W ROOT BEER 6 PACK 99¢ WHILE SUPPLIES LAST</p>	 <p>EAGLE BRAND CONDENSED MILK 14 OZ. REG. 89¢ 73¢</p>	 <p>CHICKEN OF THE SEA CHUNK LIGHT TUNA 6 1/2 OZ. 69¢</p>
 <p>SCALLOPED POTATOES BETTY CROCKER 5.5 OZ. 59¢</p>	 <p>TOMATO SAUCE 8 OZ. 5/1.00</p>	 <p>VIENNA SAUSAGE SWIFTS-5 OZ. 3/1.00</p>
 <p>9.88 Rival 3 1/2 qt. Crock Pot Reg. 11.99, low temperature cooking at 70 to 140 watts cooks 8 to 10 hours unwatched includes idea book</p>	 <p>3.88 10" Silverstone Skillet Reg. 7.99, fry pan with silverstone non-stick interior.</p>	 <p>38¢ Tubular Hangers With lingerie hooks. As sorted colors. PKG. OF 3</p>
 <p>PAMPERS- 60's OR 48's 6.27</p>	 <p>WHITE CLOUD-4 PAK 88¢ LIMIT 12 PKG.</p>	 <p>SCOTT TOWELS 2/88¢ LIMIT 12</p>
 <p>PRELL SHAMPOO 1.99 16 OZ. LIQUID OR 7 OZ. CONCENTRATE</p>	 <p>CREST 88¢ 7 OZ. REG. 1.19</p>	 <p>SURE SOLID 98¢ 2 OZ. REG. 1.19</p>
 <p>BOLD-3 1.53 49 OZ.</p>	 <p>JOY 1.33 32 OZ.</p>	 <p>PUREX BLEACH 67¢ 1 GAL.</p>
		 <p>FINAL NET HAIR SPRAY 1.57 8 OZ.</p>
		 <p>INSTANT SHAVE 2/1.00 11 OZ. REG. 83¢</p>
		 <p>BONUS Listerine Mouthwash Get 36 oz. of 32 oz. sale price. 1.58 Listerine 36 oz. Mouthwash Reg. 2.19, kills germs by millions on contact.</p>

2309 SCURRY ST. BIG SPRING. OPEN 9 AM TO 9 PM — SUNDAY 10 AM TO 6 PM

Chicago is in need of stable leadership

Down through the years, Chicago was a city noted for its work ethic. New York is sometimes called the Big Apple and not infrequently referred to as "Fun City." If someone wanted an abundance of sun, they flew south to Miami or to Phoenix. They went to Denver and beyond or to the Catskills to cool off, but if they wanted to work they felt at home in Chicago, where a lot of immigrants who had done nothing but work, settled.

The biographer of Abraham Lincoln, Carl Sandburg, identified one of his favorite communities as "The City of Big Shoulders," and the term came to be accepted.

IF THE CITY identified with the work ethic, it also became recognized as "the city that works." Other metropolises like New York and Cleveland would have had to default

on its debts had it not been for the federal government. Not so Chicago, when Dick Daley was 'King of the Hill.' Under Daley, the title was most appropriate. Granted that Daley, more often than not, throttled dissent, but things got done. Mayor Daley subscribed to the theory that the "impossible may take a little while," but "no" wasn't a part of his language.

Daley departed this mortal coil a few years ago, without leaving the formula for getting things done. Things have been steadily going downhill since that time.

Daley's immediate successor was Michael Bilandic, a greybeard among Chicago politicians, a man who wasn't very communicative — especially with the press. Chicagoans tolerated him until the first great snowstorm of the 1977 winter arrived.

Its workers proved terribly inept at clearing the streets. The clogged thoroughfares left the citizenry in a foul mood, and the voters remembered at election time. Bilandic was shown the door and reform-minded Jane Byrne was asked to run the city.

IF BILANDIC had ties to Daley, Byrne did not. In essence, the Chicago voters gave Mrs. Byrne a new broom with which to get the house in order. It didn't work, although Mayor Byrne made it clear early that the comfortable old equations by which city hall had long been run would no longer apply.

The Byrne way of doing things worked for a while but it became increasingly evident over the intervening months that the lady had no clearly thought-out plan for filling the vacuum she had created.

Byrne's bold moves did two things: They demoralized the old guard and confused the reformers.

Mayor Byrne showed an unsure hand in the negotiations that ultimately ended the walkout of the Chicago teachers. Too, her conduct during the on-going firemen's strike — in which she vowed to never again meet with the union chieftans, only to sit down with them a short time later — has been, to say the least, erratic.

None of this is to suggest that Chicago needs a person like Richard Daley to survive; neither is it to imply that the Second City can't handle a stiff dose of reform.

What it does need, most everyone agrees, is decisive, realistic, stable leadership. Thus far, the Byrne administration has been distinctly lacking on that score.

Helpful hints

Around the rim

Robbi Crow

It has been approximately a year and a half since I timidly took on the position as family news editor for the Herald.

I realize now my first fears were unfounded. It's the things I didn't worry about that I should have.

Throughout the course of my daily job, occasions arise when I must leave the security of my caged cubicle and bravely venture out into the world of violence, drug abuse and pornography to cover a fast-breaking club news story or social event.

1. WITH MY BIC pen and Big Chief tablet in hand, rush to the scene of the world-changing event (that's sure to stop the presses) to find that life does exist outside the Herald doors.

After only 1½ years of reporting, I still most definitely consider myself a novice. But even novices are intelligent enough to figure out that some days just weren't meant for reporting.

On those days, it's best to stay at home, with doors and windows locked, shades pulled down, and a blanket covering your head.

You, as the interviewer, should not go within 10 miles of an interviewee because anything that can go wrong will.

Because such days do come along every now and then, I have compiled a list of a few dos and don'ts for reporters, especially women.

So if you're finishing up your journalism degree or if you've just begun your reporting career, take note. My mistakes may save you some heartache.

1. Take at least two pens with you on an interview. It's embarrassing to miss two and one-half pages of notes before you get up enough nerve to mention that your pen ran out of ink 15 minutes ago.

2. If you ever set up an appointment

at a local rodeo arena to interview and take pictures of 10 rowdy rodeo queens, fine.

Just don't wear a dress and certainly avoid fashionable spike heeled shoes.

IT'S INEVITABLE there'll be a 6-foot fence for you to climb. And even if by some strange miracle you accomplish the feat of climbing over the fence (which could very well be barbed wire) gracefully in a dress, as soon as your 4-inch spike heels hit the 20-inch deep arena dirt, you're stuck for good.

3. When leaving for the destination of your interview, make sure you know where you're going.

Believe me, it's really embarrassing to have to call your editor from some farmhouse in the boon-docks to ask him how you get to Forsan.

It's not easy to explain the fact that although you've lived in Big Spring all of your life, and then some, you honestly don't know how to find Forsan.

4. Never, ever forget to write down several questions to ask the person you're interviewing in the event you are suddenly overcome by a temporary case of stage fright.

If you have several questions ready, the interview doesn't become a staring contest. There's not much of a story there.

Write the person a note asking him to write his answers to your questions down on a piece of paper. That should keep him busy until you regain consciousness.

These are only a few hard lessons I've learned as a rookie reporter. There are many, many more, but I'd hate to deprive you from all of the 'fun' experiences that go along with the territory.

Good luck. You're gonna need it.



Big Apple Blues

Evans, Novak

NEW YORK — Flushed by happy anticipation of yet another primary election massacre of Sen. Edward M. Kennedy, President Carter's political operatives in Washington were chilled by this warning from Mayor Edward Koch: Jimmy faces a "nip-and-tuck" battle with Ronald Reagan for New York in November.

"It's going to be very close," said Koch, advising the president to get out of the Rose Garden and up to New York for personal campaigning. This is shattering news for Carter strategists, who had considered this state as already won against Reagan.

The mayor's warning reflects political reality. The expected ease of Carter's primary win over Kennedy hides the president's unhealed wounds over Israel, aggravated by budget cuts of aid to New York City. Moreover, secret explorations have begun into running Republican Rep. John Anderson as the New York Liberal Party's candidate for president—a move that would make it much harder for Carter to carry a state he cannot afford to lose.

WHAT IS HAPPENING HERE is part of a nationwide pattern: Carter's string of one-sided primary wins derived less from his strength than Kennedy's weakness. Kennedy's failure to launch a credible New York campaign led many supporters here to stay home rather than waste their votes.

But anti-Carter Democrats who last summer pleaded with Kennedy to enter have not embraced Carter. An extreme case is Manhattan Borough President Andrew Stein who admits "Teddy was not the man I thought he was." As for the president, Stein told us: "I don't see how I can vote for Carter." Other pro-Kennedy politicians may be less candid than Stein but are scarcely less hostile toward Carter.

Similarly, the opinion by Carter's political high command that the president has recovered from damage suffered when the U.S. supported the United Nations resolution critical of Israel is based on polls that show no Jewish leakage to Kennedy. That is partly testimony to the ludicrously inept campaign for Kennedy here.

State Atty. Gen. Robert Abrams, an early Kennedy backer asked at the 11th hour by the senator's managers to help get the Jewish vote, urged material exploiting the (U.N.) fiasco be mailed quickly to 1 million New York Jews. Preparation was anything but quick, and a cash shortage reduced the mailing to 250,000. At the last minute, a serious factual error was spotted in the material, and the entire mailing was scrapped.

One Democratic leader supporting Kennedy admits that even with a smooth-functioning campaign "Kennedy could not be salvaged" among Jewish voters. The hostility toward him because of Chap-paquadick from older, lower-income Jews equals anti-Kennedy outrage anywhere in the Bible Belt.

Furthermore, Vice President Walter Mondale has worked overtime in New York following the U.N. controversy. Addressing a Cambodian refugee awards ceremony by the Jewish service organization, B'nai B'rith, Mondale changed the subject to reassure the Jewish leaders present of the president's support for Israel. Applauding Mondale warmly, they did seem reassured.

MACAELY PERFORMING NEWS SERVICE BY PHONE IN CHICAGO, ILL.



Use medicine only for prescribed purpose

Paul G. Donohue, M.D.

Dear Dr. Donohue: It is my pleasure to work with our elderly and I find that many times they will listen to your explanations and be more willing to cooperate. You might help me reinforce some points I try to make:

- (1) The importance of taking nitroglycerine as prescribed and not for any pain other than that of angina.
- (2) The danger of mixing medications, like those for high blood pressure and those to curb appetite.

Also explain when B-12 shots are needed. Many of these people simply fail to realize the dangers involved with medicines, and most doctors are unaware that some are not using medicines as prescribed. It would help if you would address the subject. — Mrs. J.C.

Nitroglycerine, although it sounds as though it should explode inside you, won't, at least not in the medicine form. Nitroglycerine is used in angina (heart-caused pain) because it expands the blood vessels, the narrowing of which contributes to the pain. It should be taken only after a doctor prescribes it.

Mixing medicines on one's own is bad business. Most medicines have more than single effect, and it takes a great deal of expertise to know which effects might be at odds with those from another drug. The example you cite is a good one. Most appetite depressants also elevate blood pressure.

B-12 vitamin shots are effective for people with a deficiency of B-12 or in whom pernicious anemia has been diagnosed. For those with pernicious anemia the shots are required once a month.

All of your points are good ones. The doctor trusts the patient to take medicine as prescribed, just as the patient trusts the doctor to give him the right medicine. It takes two to practice medicine. So come on, you elderly friends of Mrs. J.C., straighten out!

Dear Dr. Donohue: My husband has aches in his arms and legs. Sometimes he can't raise his arm above shoulder level or even pick up a coffee cup. His physician diagnosed

this as "fibrositis." It is not constant, but comes and goes. Will my husband just have to live with this or is there treatment? — E.F.G.

Fibrositis is not too clearly understood. Aching and stiffness occur in many locations in the body where muscles and tendons attach to bones. Patients are often disturbed during sleep. Other illnesses, like rheumatoid arthritis, polymyalgia rheumatica and lupus have to be looked for.

Exercise, massage, aspirin and correction of any sleep disturbance provides some relief. If you have gathered from all this that fibrositis is a very broad diagnosis, you are right. Any of several specialists might trace the precise cause of the aching, if indeed, that can be done at all. A rheumatologist would be a good starting point.

Dear Dr. Donohue: You should know. Just out of curiosity, please answer. With being exposed to so many bugs and germs and viruses, etc. it would seem to me that docs must have to be protected by all sorts of vaccines, etc. Is this true? — Curious.

You are asking for trade secrets. Doctors try to protect themselves against infectious diseases that appear in adults and for which there are effective vaccines. But if you listed the illnesses for which there are vaccines alongside those for which there are none, you'd find the second list longer than the first.

Your doctor can catch your cold. That is why he is no more thrilled than anyone else is when you cough on him.

Dear Dr. Donohue: Why is it that when I freeze my ears and come back in the house they begin to burn and



My answer

Billy Graham

DEAR DR. GRAHAM: I committed my life to Christ some years ago, but now I wonder if I'm really saved. It seems to me that if I really believed in Christ I would not sin. Since I sin, I must not really believe. — S.T.

DEAR S.T.: Nowhere does the Bible promise us that we will be perfect and without sin when we come to Christ. It is true that we will not continue to allow sin to dominate our lives, but that does not mean we are completely without sin. Even Paul, perhaps the greatest Christian who ever lived, could say: "Not that I have already obtained all this, or have already been made perfect, but I press on..." (Philippians 3:12).

The important thing is for you to keep your eyes on Christ, not yourself. It is Christ who died on the cross for your sins, and it is Christ who saves you. You are not saved because of any goodness you have been able to achieve; no matter how good you

might be, you are never good enough to commend yourself to God. But Christ came to forgive you and by His righteousness make it possible for you to be perfect in the eyes of God. Always keep this great truth uppermost in your mind and heart: It is Christ who saves you, not yourself. Renew your trust in Him. The Bible says, "Believe in the Lord Jesus Christ, and you will be saved" (Acts 16:31).

At the same time, if there are particular sins which are defeating you and keeping you from being what God wants you to be, then you should learn to deal with these. It is not God's will for you to be defeated by sin over and over again. Bring these sins to God, confessing them and asking for His strength. Then turn to Him when temptation comes and flee from sin. The Bible says: "Submit yourselves, then, to God. Resist the devil, and he will flee from you. Come near to God and he will come near to you" (James 4:7-8).

Mailbag

Dear Editor: About a month ago, over 50 inmates at the Big Spring Federal Camp were placed on "central monitoring service." This type of custody entails a number of rules and guidelines, but in essence it means that any inmate whose crime involved sums of \$100,000 or more is no longer allowed a furlough or to go on pass with his family or to attend church services with a local congregation.

The directive came from a higher echelon in the Department of Justice and is no reflection on the local camp staff.

It is my opinion that such a drastic move by the Department of Justice smacks of selective punishment and discrimination.

Although this problem will probably be worked out by the Bureau of Prisons, I feel that policy changes of this nature, in an institution which is evolving as a part of Big Spring society in general, should not be ignored by the public or the media.

Morris Smith
207 E. 2nd St.



Can reach U.S.

Jack Anderson,

WASHINGTON — Red China has finally developed an intercontinental ballistic missile capable of hitting targets in the United States.

The alarming news means that a second communist power now has the ability to threaten America with nuclear devastation. Until now, U.S. defense policy has been based on the assumption that only the Soviet Union posed such a clear and present danger to the United States.

The reason this has not been reported before is that "official government sources" have consistently played down any suggestion that the mainland Chinese were a direct nuclear threat to this country. They have emphasized instead the bitter rivalry between the two communist superpowers, and cite our supposedly firm "friendship" with Red China.

BUT ASIAN EXPERTS IN and out of the government caution that this friendly relationship is a tenuous thing at best, likely to evaporate at any time over issues like Korea or Taiwan, or simply because of the ideological differences that separate our two countries. They note that our strongest bond is mutual hostility toward the Soviets, and warn that the Red Chinese still regard the United States as their chief antagonist after the Russians.

From top-secret documents and other intelligence sources, my associate Dale Van Atta has pieced together the story of Red China's arrival at a position from which it can back up any future change of policy with nuclear ICBMs.

The huge Chinese missile is designated the CSS-X-4, and it has a range of 7,800 miles — more than enough to devastate U.S. population centers from bases on the mainland of China. The only other long-range missile the Chinese were known to have was the CSS-X-3, with a range of 3,600 miles — enough to hit Moscow, but nowhere near enough to make it to the U.S. mainland.

When Defense Secretary Harold Brown went to China last January, the "friendly" Chinese government didn't let him see the CSS-X-4. But he knew about it — and almost revealed that knowledge to reporters who accompanied him on the trip.

Asked if Red China was "anywhere near acquiring" and ICBM, Brown replied: "China's been developing ballistic missiles of increasing range, and I am sure they are working on intercontinental ones: In fact, I know they are. I don't want to say precisely how far they've gotten."

I can say how far they've gotten. The Chinese have been working on the CSS-X-4 for more than a decade. Its potential as an ICBM has been partly obscured by its dual role as a booster for space satellites.

IN JULY 1975, WHEN the Chinese successfully launched a satellite into orbit, a CIA "Top Secret Umbra"

report called the shot a "significant step forward for the Chinese missile and space program," and added:

"The success with the CSS-X-4 suggests the Chinese have corrected major problems they have been having with this missile...The CSS-X-4, a large, two-stage missile, is China's only missile with true intercontinental range, and it is clearly the key to a Chinese ICBM force. It is not, however, expected to become operational as an ICBM for several years."

"The CSS-X-4 will probably be able to carry a thermo-nuclear warhead about 7,000 miles or place a missile weighing approximately 5,000 pounds into a low earth orbit."

That was five years ago. In 1978, another top-secret CIA document warned that the CSS-X-4 "will soon be capable of hitting targets in the continental United States."

Now, according to intelligence sources, the CSS-X-4 is operational up to 7,800 miles. And other, more advanced missiles are in active development.

For what cold comfort it provides, CIA analysts note that the Red Chinese are still about a dozen years behind both the United States and the Soviet Union in missile technology. But as a CIA source observed wryly: "The impact of their bomb would be the same."

DRAFT EVASION: Jimmy Carter is resuscitating the old Nixonian cover of "executive privilege" and adding a peculiar new twist: ineptitude.

When Rep. Pat Schroeder, D-Colo., heard that a Selective Service report existed which contradicted the president's claim that draft registration was needed, she asked the White House for a copy. Sorry, the Carter people said, the report had been lost.

Outraged, the congresswoman filed a Freedom of Information Act request for all documents relating to Carter's controversial draft-registration decision. More than a month later, Schroeder was told that White House lawyers had completed their review of the documents, and that she could drop by for a look — at some of them. The rest were being withheld because of "the sensitive and confidential advice" they contained.

Meanwhile, the "lost" Selective Service report turned up: It had been leaked to Sen. William Proxmire, R-Wis. Schroeder staffers told my reporter Scott Benarde they think the White House deleted facts that showed Carter's draft registration wasn't needed. Senate staffers figured the attempt to hide the report was simply an administration attempt to "cover up another embarrassment."

And when Schroeder aides looked at the documents they were permitted to see under the FOI request, they concluded that none of them related to the president's decision.

Big Spring Herald

"I may disagree with what you have to say, but I will defend to the death your right to say it." — Voltaire

Published Sunday morning and weekday afternoons, Monday through Friday, by Big Spring Herald Inc., 710 Scurry St., 79720. Telephone 915-263-7331. Second class postage paid at Big Spring, Tex.

4-A Big Spring (Texas) Herald, Wed., March 26, 1980

Thomas Watson
President/Publisher

Tommy Hart
Editor

Oliver Cofer
Advertising Director

Clarence A. Benz
Circulation Manager

Bob Rogers
Production Manager

HemisFair Plaza will get facelift soon

SAN ANTONIO, Texas (AP) — Developers have proposed a major development project for the aging, downtown HemisFair Plaza, which would include a luxury hotel, world trade center and a parking garage. Councilman Henry Cisneros unveiled the proposal Tuesday.

In return for undertaking a detailed analysis of the site, the developers, Rogers-

Worsham, are asking for a "preferred developer" status. That would guarantee them the development rights.

The city has been unable to come up with a permanent use for the site of the 1968 world's fair here. The site includes the Tower of the Americas, the Institute of Texan Cultures, the HemisFair Arena and the U.S. Courthouse, but some

areas are decaying and vacant.

Under a proposed public-private concept, the city would own the parking garage, base facilities and open space, while the developers would develop and operate the hotel and trade center, manage the commercial areas and act as master developer for the entire site.

President-elect of AIEE

Big Springer asks to be relieved of top engineering post at OSU

STILLWATER, OKLA. — After eight years as head of Oklahoma State University's School of Industrial Engineering and Management, Dr. Joe H. Mize has asked to be relieved of those responsibilities so he will have more time to devote to two new positions, as well as his teaching and extension activities.

Mize has been elected national president-elect for the American Institute of Industrial Engineers (AIIE), will serve in that position for one year, then will become national president April 1, 1981.

Also, Mize has been named director of OSU's Institute for Energy Analysis, established to assist in the coordination of energy related activities and to enhance communications among those at OSU who are engaged in energy research, extension and instruction.

As president-elect and president of AIIE, Mize, will represent approximately 300 AIIE chapters with more than 33,000 members worldwide who are concerned with all aspects of improving productivity within all kinds of organizations.



DR. JOE H. MIZE

Services to the state through extension efforts were greatly expanded; a statewide energy conservation program for industry was implemented; a Center for Local Government Technology was established to provide technical services to local governments throughout the state. (This program has been recognized by the National Science Foundation as a model, and other states have been encouraged to adopt similar programs.)

The school has been able to recruit outstanding faculty

from major universities nationwide; the national visibility of the school and faculty increased, and numerous national honors have been received by the faculty. For the past two years, Mize served as chairman of the Technical Advisory Council of the

Southern Growth Policies Board.

During the past five years, the OSU student chapter of AIIE has won either first or second place in the AIIE National Outstanding University Chapter competition. Two IE seniors have been selected Outstanding IE Student in the Nation, two others won first place in the National Outstanding Technical Paper competition, while numerous others have won regional and national awards.

"I have tried to create an atmosphere in which both students and faculty are motivated to realize their full potential," Mize said.

Mize, a native of Big Spring, Texas, has been at OSU since 1972. He completed his undergraduate studies in industrial engineering at Texas Technological College. His M.S. and Ph.D. degrees in industrial engineering are from Purdue University.

ALLSTATE INSURANCE COMPANY
HAS MOVED TO A NEW LOCATION AT
610 JOHNSON ST.
CALL
BILL BODIN
263-3811

HIGH BLOOD PRESSURE?
IT'S A KILLER
Have Yours Checked FREE

THE MEDICINE SHOPPE
 THURSDAY
 MARCH 27
 FROM
 10-6
 1001 GREGG

A COMMUNITY SERVICE
 IN ASSOCIATION WITH
 The American Heart Assn

QUIT HUNTING

WORK SHOE HEADQUARTERS

FOR THE RIGHT OUTDOOR BOOTS

WE'VE GOT RED WING



59⁹⁵ 56⁹⁵

- Long lasting Urethane "Sup. Soles"
- Soft, water repellent uppers
- Comfortable cushion insoles

NEW OIL AND SLIP RESISTANT SAFETY SHOES

THE FITTIN'EST WORK OXFORDS FOR WEAR ON CONCRETE



49⁹⁵

RED WING

Anthony's

The FITTIN'EST PULL-ON WORK BOOT with OIL-RESISTANT SOLE



SOLE 51⁹⁵

305 MAIN 9:00-5:30

1/3 to 3/4 Off Sale



33% to 50% off.

Dresses and suits for Kids.

Sale 4.66 to 15.33

ORIG. \$7 TO \$23. Toddlers, pre-school and school-age Girls Easter dresses at fantastic savings.

Sale 14.00 to 27.00

ORIG. \$21 to \$41. Toddlers, pre-school, and school-age boy's Easter suits at fabulous savings. Pre-school and school-age Girls tops and bottoms.


GIRLS' SPORTSWEAR REDUCED! 1/3 to 1/2 Off

Sale 1.85 to 9.33

ORIG. \$3.69 to \$15. Pre-school and school-age girls' sportswear tops and bottoms.

Whites Home & Auto

Old Lawn Mower & Tractor Trade-In SALE



Save 15%

Bring In Your Old Mower, Tractor Or Tiller And Receive 15% Off Our Already Low Regular Price On Any Mower, Tractor Or Tiller In Stock!

Prices effective thru March 31, 1980

1607 GREGG PHONE 267-5261

VISA

75% Off Women's dresses and sportswear.



Women's dresses and Pantsuits Sale 4.50 to 7.50

ORIG. \$18 to \$30. Juniors, Misses, and half-size dresses and pant suits. Marked down three-fourths off the original prices. Hurry for best selection.

Entire stock not included. Intermediate mark-downs may have been taken. Percentage off represents savings on original prices.

Sportswear tops 'n bottoms Sale 1.25 to 4.00

ORIG. \$3 to \$16. Juniors and Misses terry and knit tee-tops, shirts, blouses, skirts and slacks. Marked down from our regular stock of Spring and Summer sportswear fashions. Tremendous savings. Hurry for best selection.

Does not include entire stock. Intermediate mark-downs may have been taken. Percentage off represents savings on original prices.

Two great ways to charge

VISA

This is JCPenney

OPEN 9 TO 5:30 DAILY

307 MAIN ST., DOWNTOWN BIG SPRING. Closed Sunday



VALERI MEEKS

CAY LUEDECKE

Pageant draws near Cay, Valeri anxiously await round-up days

As the day prior to the 1980 Miss Diamondback Pageant are counted down, the excitement and anxiety continue to mount in each contestant.

Two of these pageant participants are Cay Luedecke and Valeri Meeks. Not many young women are given the opportunity to become Queen of Snakes.

"It's ironic that in the beginning God put enmity between serpents and women, but I'm always for calling a truce," says Cay, who considers herself an optimistic person.

One of Miss Luedecke's main goals in life is to become a mortician, so she spends much of her time studying this profession.

Taking her St. Bernard for walks in the snow is one of the favorite pastimes of this unique individual.

Also competing as one of 10 Miss Diamondback contestants is Valeri Meeks who was born under the sign of Scorpio.

"I am both pleased and proud to have been born under this noble sign," Valeri stated. "I am individualistic and I think for myself. I'm not afraid to

enter the arena of competition."

For her future life, Valeri wants to finish high school, attend college and have a career. She would also someday like to be married and have a family.

"But most of all," Valeri concluded, "I want to be happy."

There you have them, two more hopeful Miss Diamondbacks.

The final queen will be crowned Sunday evening at the Dorothy Garrett Coliseum at the close of the 1980 Rattlesnake Round-up.

Style show announces the arrival of spring

The Mary Jane Club sponsored a style show to usher in the arrival of spring, March 20 at 9:30 a.m. in the Fellowship Hall of Midway Baptist Church.

The fashions were furnished by The Tom Boy Shop. Marie Eason, owner, served as commentator as each model was presented in a casual outfit, sportswear, and a dressy ensemble. She was assisted by Mrs. Roy Bruce and Mrs. Elmo Phillips.

Patricia Barr modeled a Lillian Russell dress, white with navy stripe, topped with a navy waist-length vest. She showed a casual beige wrap-around skirt with hand-painted design and matching T-shirt in red. Her dressy ensemble was a yellow terry two-piece by Jeanne Durrell.

Carolyn Brooks was striking in a red skirt with a stripe blouse. Her sportswear was a bright blue and white pant suit by Sebastian.

The jacket had a sailor-type collar. She wore a dressy three-piece suit in beige.

Sharon Brown wore a red dress with a polka dot blouse. Her stunning sportswear presentation was a three-piece jean set. The blouse was pink satin and the hand-trimmed jeans and best had a matching trim. Sharon could lead the Easter parade in a kelly green three-piece suit.

Joyce Choate looked lovely in a pink Sebastian pant suit. Her next appearance was in a red and blue denim skirt, with matching red print blouse. She carried a coordinating pair of denim pants with red tennis cap. She wore a dressy black voile dress with white lace collar.

Jerry Gee wore a white two-piece suit; then, a yellow pant suit with a coordinated print blouse by Jack Winter. Her dressy ensemble was a white dress with black polka dots, topped with a versatile black jacket.

The make-up for the models was furnished by Joyce Phillips, owner of the Merle Norman Studio in College Park.

Hostesses Bonnie Hale and Janie Phinney served refreshments following the style show. The party table was decorated with an Easter motif, and the door prize, a plush Easter bunny, was won by Debbie Denning.

The next meeting will be April 10 in the home of Carolyn Brooks.

Art association adopts new show procedures

Members of the Big Spring Art Association enjoyed a salad supper at the March meeting at Kentwood Center. Mary Raley and Jacque Thomas served as hostesses.

President Becky Smiley conducted a brief business meeting prior to the supper. Elsie K. Merrell and Pat Klotz were congratulated for achieving Honorable Mention ribbons at the Odessa show as was Madeen Blair for her Purchase Prize.

Members adopted the following procedure for all future shows.

Categories will be designated and works will be judged with ribbons being awarded in first, second and third place as well as Honorable Mentions in each media or category. The judge may also select a "Best of Show" if the club so desires.

The Aren Spring Show will be held May 5, 6, and 7 at the Howard College Gym. Chairmen will be announced later.

Appointed to the Nominating Committee were Ruth Sweatt, Martha Conway and Hazel Duggan. The committee will present its slate at the April meeting. Members were reminded

that annual dues should be paid in April. Associational dues are \$6 with an additional \$5 if the member wishes TFAA membership.

Brownfield is holding its spring show from March 25 to March 30. Entries are due at the Art Building March 25; show will be open to the public Friday 9-6 p.m.; Saturday 1-5 p.m. and a reception of winners, Sunday 1:30 to 4 p.m. LaWanda Murfee of Lubbock will serve as judge. Categories are Landscape, Still Life, Portrait, Miniature, Sculpture and Crafts.

Post announces its Spring Art Show April 16-20. Entries are due April 16. They will be judged by Virginia Fewell Robertson and Ann Eppie Upson of Albuquerque, April 17. The public is invited Friday, Saturday, 9 to 5 p.m. and Presentation of Awards April 20.

Tipping of the Brush went to Maurine Mendenhall, first; Mary Raley, second and Ruth Sweatt, third. These paintings will be displayed at Citizens Federal Credit Union, State National Bank, and Clip and Curl Beauty Shop, respectively during April. Jacque Thomas was welcomed as a new member.

Dear Abby



Ruined Mattress Leaves Mom Steamed

DEAR ABBY: Here's the situation: Last weekend my 12-year-old son, Danny, asked if he could invite his 13-year-old friend, Steve, to sleep over. Steve had just moved into the neighborhood and Danny was the only friend he had. I said yes.

When I went to make up the beds the next morning I found that Steve had wet the bed! I was really steamed because the mattress was ruined.

I told Danny about it, and he said that Steve never told him that he had a bed-wetting problem before he slept over, but the next morning when he discovered he had had an "accident," he begged Danny not to tell me or his mother about it.

What can I do, Abby? Should I tell Steve's mother (whom I haven't met) and hope she offers to buy me a new mattress?
STEAMED DOWN SOUTH

DEAR STEAMED: I wouldn't. The poor kid probably has suffered enough humiliation as it is. But do tell Danny to tell Steve that since such an "accident" can happen, if he plans to sleep over anywhere, he should bring his own bedding, plus a rubber sheet.

DEAR ABBY: What is this world coming to? Yesterday I received a birth announcement, proudly announcing the birth of a baby girl. The mother is 21, the father is 40. He is married, but is separated from his wife of nearly 20 years! This man's wife and legitimate children live in the city and are well-known.

To top it off, the proud parents signed themselves, "Gator Guy" and "Wooly Woman"—some clan, sect or gang name. We were really stunned. My question: Is a gift in order for an illegitimate child?
TOO OLD TO COPE

DEAR T.O.T.C.: There are no "illegitimate children"—just illegitimate parents. Don't penalize an innocent child because of the circumstances of his birth.

Are there questions you can't ask your parents? Get Abby's new booklet: WHAT TEENAGERS OUGHT TO KNOW. Drugs, sex and alcohol are plainly discussed. Send \$2 and a long, stamped (28 cents) self-addressed envelope to Abby, 132 Lasky Drive, Beverly Hills, Calif. 90212.

TwEEN 12 and 20— He said give in she said get lost



By Robert Wallace, Ed. D.

Dr. Wallace: Just a few days ago I read in your column about a 14-year-old girl who was afraid of losing her boyfriend unless she had sex with him.

I am also a 14-year-old girl who had the same problem. My boyfriend said that if we had sex together that our love would last forever. I told him to get lost and broke up with him.

Now I date a boy who cares for me and we have agreed that sex is out of the question. I really like this guy and we have a fabulous relationship.

Any girl who submits to a guy just so she can keep him is making a decision that she may later regret. —C.B., Anaheim, Calif.

C.B.: Thank you for taking the time to share your experience with us. You are a wise young woman. Please read the next letter from Cindy.

Dr. Wallace: Please print my letter. I want to talk to the girls who read your column so they won't make the

same mistake that I did.

I'm 14 and let my boyfriend talk me into having sex with him to prove our love. Before we did, we promised each other that we would not tell a soul about it. The next day he told his best friend and now the whole school knows.

I feel used and cheap and every day I cry my eyes out but nothing helps. Maybe writing this letter will. I hope so.

Girls, let me warn you. If he promises not to kiss and tell, don't believe him. Better yet, don't do anything that will give him an opportunity to tell, because tell he will. —Cindy, Michigan City, Ind.

Cindy: Thanks for sharing your story with our teen readers. I receive many letters each week similar to yours.

Dr. Wallace: I spent the night with my cousin who lives 60 miles from me. While I was there, she fixed me up with a date. I only saw him one time but now this boy has written to me telling me that he loves me and if asked, would I go steady with him.

I have no feelings for him and besides, I already have a boyfriend. What should I do? —S.J., Newark, Ohio

S.J.: Write to this boy thanking him for the offer, but informing him that you have a steady boyfriend. If he should continue writing, don't answer him and throw his letters away.

Write to Dr. Robert Wallace, TwEEN 12 and 20, in care of this newspaper. Please enclose a stamped, self-addressed envelope.

4-H leaders and members recognized for dedication

The District VI 4-H Adult Leaders' Association held their annual meeting in Fort Stockton on March 15.

Those attending from Howard County included Mr. and Mrs. Joe Mac Gaskins, Repps Guitar, Lesli Guitar and Mr. and Mrs. Paul Allen and Linda Fuchs, assistant county extension agent.

Mr. Guitar and Mrs. Paul Allen represented Howard County as the voting delegates to the District VI

Adult Leaders Association.

Lesli Guitar, daughter of Mr. and Mrs. Repps Guitar from Knott, was selected as the most outstanding 4-H girl from 22 counties in the district.

The District VI 4-H Adult Leaders' Association presented her with a wooden plaque in the shape of a 4 leaf clover. Lesli has made valuable contributions to the 4-H program ever since she joined 8 years ago.

She has been an outstanding junior leader, has held offices as recreational chairman, program chairman, secretary-treasurer, and reporter in her local club and offices of secretary and vice chairman for the 4-H council.

Major project areas she has been involved in include health, family life, dog care, home management, home environment, photography, citizenship, food preservation, dairy foods, recreation, food and nutrition, sheep, horse and clothing.

4-H has provided Lesli with a lot of training and has given her the skills and confidence to handle many responsibilities. She was the president of her junior class and the vice-president of the

senior class, the vice president of the student council, head cheerleader, secretary and past vice-president of the youth group at St. Mary's Church, a state delegate of Sands F.H.A., Junior Director of Howard County Youth Horsemen, and West Texas Barrel Racing Association.

Another highlight was the recognition of two outstanding adult leaders, Mrs. J.E. (Joann) Peugh and Mr. Joe Mac (Pat) Gaskins of Knott.

They have been leaders for 17 and 18 years, respectively. Their dedication, and interest has provided encouragement to mold many youth into exceptional young men and ladies.

They have been leaders for 17 and 18 years, respectively. Their dedication, and interest has provided encouragement to mold many youth into exceptional young men and ladies.

FOR INSECT AND TERMITE CONTROL CALL: SOUTHWESTERN PEST CONTROL 267-8190 2008 Birdwell Lane

Anniversary Sale
25% OFF
ALL READY-TO-WEAR
Mary Jo DRESS SHOPPE
Where Fashion is a Look, Not a Price
901 1/2 Johnson 9:00-5:30 267-6974

Pixy®
Easter Special
One 5x7 In Natural Color reg. \$2.45 95¢
Save 20%-30% on photo packages.
Choose from three assortments of 8x10's 5x7's and wallet size. See your Pixy photographer for details.
THURSDAY, FRIDAY, SATURDAY ONLY.
PHOTOGRAPHER'S HOURS: 9:30 to 5:30 DAILY (Lunch Hour 12 to 1)
OPEN 9-5 DAILY CLOSED SUNDAY
This is JCPenney 307 MAIN DOWNTOWN

Kentucky Fried Chicken.
2200 Gregg 263-1031
2-PCS CHICKEN
1 order each potatoes, gravy and slaw, 1 roll Reg. \$1.85 \$1.25
\$2 OFF ANY BUCKET OR BARREL with this coupon
OFFER GOOD THROUGH MAR-31, 1980 with this ad

Conclave ends for Squares

Square dance officers from all over the State of Texas attended the Conclave held in Big Spring Feb. 28-March 1.

Burt Whitaker was guest caller for the March 15 dance. Guests attended from Odessa, Colorado City and Snyder.

Approximately eight squares were on the floor for most of the evening.

The next dance will be held April 5 with Randy Phillips on the stand.

Alvin Husky will be welcomed April 19 as caller.

32nd Anniversary Celebration
Prices Reduced Storewide
CARTER'S FURNITURE
202 SCURRY

Rad
mig
About 40
are overex
in Texas.
But mos
poasures a
difficult
biological
incident,
Radia
Division
says 297 in
1970 and 15
for which
compiled -
tion over
"Genera
exposures
rema," Bai
Although
dividuals
Newkirk,
higher or
division
figures or
the exposu
A rem i
damage
upon hu
millirem i
The nu
person is
under sta
the perso
amount of
previously
cumstanc
supposed
than three
mon
An aver
citizen c
much as
during a
treatment
fallout, c
other om
sources.
In Tex
stitutions
radioactiv
Doctors
isotopes t
diagnose
kidney di
brain tum
and bon
production
to take X-
Industry
materials
and oil l
wells, to
measure
density
make sm
harmous
While n
potential

Radiation wrecked dreams

(This is the third of five parts by Dan Helms, staff writer for The Corpus Christi Caller Times, a Hearst-Herald Newspaper.)
Copyright 1980 Hearst-Herald Communications, Inc.

What happened to John Newkirk only took a few minutes. But the warm August morning last year changed his life and wrecked his dreams.

The healthy-looking 20-year-old wanted to work, get married and raise a family. Now it all looks impossible.

No one will hire him. Potential employers are worried he will contaminate other workers, Newkirk says.

He may never have the family he wants. Newkirk is sterile.

The pinkish, radiation blister on his left thigh, about the size of a grapefruit, hasn't healed in the eight months since Newkirk became a statistic in the history of Texas radiation accidents.

Newkirk blames his fate on the company for which he worked, an industrial testing firm using radioactive materials. He says it failed to adequately inform him about the dangers of the equipment he used.

The Houston-based firm, Mobile-Lab, says if Newkirk's world was shattered, he did it himself.

"Newkirk is an example of a person who wasn't paying attention," says Mobil-Lab executive vice president Bill Kelly.

"I was paying attention and doing my job," Newkirk says. "He's just using that as an excuse."

Newkirk's life changed dramatically on Aug. 3, 1979. He tells it this way:

It was his fourth day on the job and the first job of the day. He and a technician were sent to photograph pipe welds near Freeport. Their camera used the energy from a radioactive isotope, iridium 192, to photograph the welds.

They finished the first shot and the technician went to the van to develop the film. Newkirk, the technician's helper, was to move the camera to the next weld.

As he approached the camera, he picked up a small unfamiliar pill -- not much larger than an aspirin -- resting on the ground. It was attached to a thin cable hanging from the back of the camera.

"What's this?" he asked the technician.

The technician, stunned, slapped the radioactive pill from his hand and Newkirk spent the next week in a hospital. For the following four months, he was in and out of doctors' offices twice a week.

Newkirk knew the camera used radioactive materials. He says no one ever showed him what or where it was.

"The only thing they ever told me was the pill was in the camera. They never told me what it looked like," Newkirk says. "It just scared the hell out of me."

No one's quite sure how much radiation -- how many rems -- Newkirk received.

The badge he wore around his waist measured 100 rems, according to the Radiation Control Division of the Texas Department of Health, which investigated the accident.

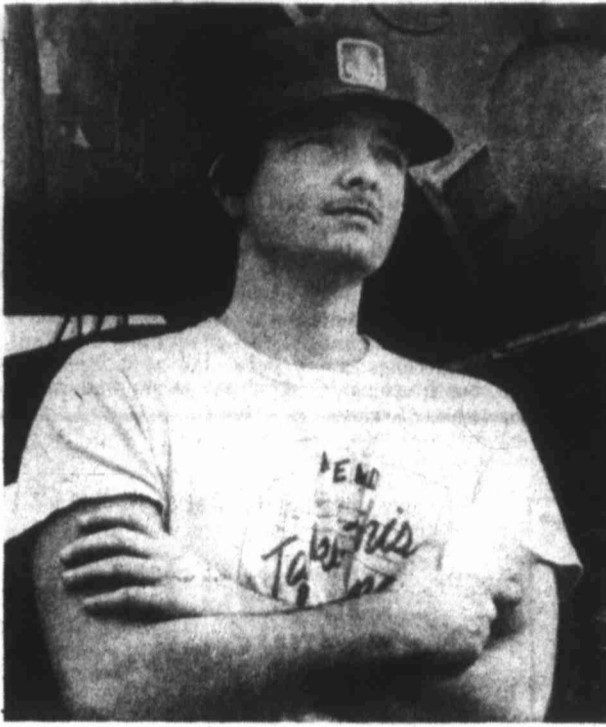
Overexposures aren't unusual in the radiography business, says Richard Ratliff, who heads the compliance section of the radiation division. But most overexposures are less than 5 rems, he says.

"At my age, I am supposed to get up to 5 rems per year," Newkirk says. "I picked up enough for 50 years."

Newkirk didn't experience the symptoms associated with an 800 rem exposure -- nausea or diarrhea, according to Ed Bailey, radiation division head. Newkirk didn't vomit, didn't lose his hair.

If Newkirk had received 800 rems over his entire body, he would probably be dead. A dose of 500 rems would prove fatal about half the time, according to the Batelle Memorial Institute, an Ohio-based research group which has studied radiation for the Department of Energy.

A full-body dose of 1,000 rems is nearly always fatal,



JOHN NEWKIRK RECEIVED RADIATION Event shattered his world

according to the institute.

A few days after the accident, a blister appeared on Newkirk's left thigh. Ratliff says it first looked like a mild sunburn.

Since then, Newkirk says the blister pulses and periodically oozes a bronish fluid. A knobby black scab formed in the center of the pinkish sore several months ago, but it fell off.

His sterility is documented, but his doctor is not sure whether the accident caused it.

Dr. Luis Rodriguez, Rigau, a University of Texas Medical Center specialist in reproductive medicine, was one of several doctors who examined Newkirk after the accident. Rodriguez-Rigau confirmed Newkirk is sterile. But he was unable to say whether the accident caused it since Newkirk was never tested for fertility before he was exposed.

"Everything came up negative," Newkirk says. "He told me there ain't a chance I can recover."

Rodriguez-Rigau's prognosis for Newkirk is bleak. It would take an exposure to the testicles of about 600 rems to produce sterility, he says.

"The chances of him recovering are probably low, he says. Radiation, he says, produces sterility by halting the division of sperm cells -- the same way radiation halts the division of cancer cells.

Newkirk is also worried that his exposure will increase his chances of developing cancer.

"There's really no way to tell," says Ratliff. "Each exposure to radiation could cause increased chances of leukemia or other cancers."

Dr. Herbert Allen of Houston was Newkirk's chief physician, Newkirk says. Allen has not returned numerous phone calls about his patient's condition. Allen is also owner of Atomic Energy Industrial Laboratories of the Southwest, Inc., the firm which sold Mobile Lab the film badge Newkirk was wearing when the accident occurred, Ratliff says.

Spokesmen for Mobil-Lab are skeptical of Newkirk's story.

John Newkirk has not been affected by radiation at all," says Bobby Matthews, a Mobile-Lab district manager.

"This guy is not as believable as you might be taking him at this point," says Kelly, the firm's executive vice president. "He goes out there and alleges he's been burned. 'If we were as grossly negligent as John Newkirk says we were, we would not have our license.'"

Ratliff says the health department reviewed Mobile-Lab's operation after the accident and decided no action was necessary.

"They satisfied us the program was in compliance," Ratliff says.

Kelly says there are many unanswered questions about the accident, including how

it happened. Newkirk says when he approached the camera, the pill was hanging out the back.

During the investigation, the health department tried and failed to get the pill to come out the back of the camera.

"We could not duplicate what he said happened," Bailey says.

"They kept telling me it couldn't come out the back of the camera," Newkirk says. "But it did. I was the only one out there. And me and the Man upstairs know what happened," Bailey says.

The state still is trying to determine what happened Aug. 3. And John Newkirk is trying to figure out what will happen to him.

Since the accident, Newkirk says, he's applied for about 20 jobs, mostly manual labor, without success.

"I can't get no job," he says. "They're afraid it might be contagious and hurt people."

In the meantime he works odd jobs for his aunt and uncle, who manage the American Legion Post in Jacinto City. And when he tries to sleep, Newkirk's mind churns.

"I think about it, about not having kids and not being able to work. It hurts me right down deep -- how come it had to happen to me?"

(Tomorrow: A look at the progress and pitfalls of nuclear power plants in Texas)

Who Will?

Please Help Elect Hal Boyd P1.2-City Council

Pol. Adv. Pl. by Hal Boyd, Treas. 407 Highland, Big Spring, TX

Trinity Memorial Park Inc.

Big Spring, Texas

STATEMENT OF CONDITION OF PERPETUAL CARE TRUST FUNDS

December 31, 1979

PROPERTY TRUST FUND	BOOK VALUE
Investment in Trust:	
Cash	\$ 2,992.54
Real Estate Mortgages	\$ 8,964.84
Other Investments	\$ 16,000.00
Corporate Bonds	\$ 84,943.90
Common Trust Funds	\$ 12,386.56
Irreducible Perpetual Care Funds	\$ 125,287.84

BRONZE MAINTENANCE TRUST FUNDS

Bronze Fund "A" (Irreducible)	
Cash	\$.03
Savings and Loan Investments	\$ 710.99
Corporate Bonds	\$32,527.50
Total Bronze Fund "A"	\$33,238.52
Bronze Fund "B" (Maintenance)	
Cash	\$ 67.14
Savings and Loan Investments	\$ 545.18
Corporate Bonds	\$20,650.00
Common Trust Funds	\$ 2,991.71
Total Bronze Fund "B"	\$24,254.03
TOTAL PRINCIPAL OF BRONZE MAINTENANCE FUND	\$57,492.55
TOTAL COMBINED PRINCIPAL OF ALL FUNDS	\$183,080.39

TRUSTEE . . . First National Bank of Midland, Texas

Please furnish me with

- A FREE FAMILY EMERGENCY KIT
- INFORMATION ON TRINITY'S "INFLATION-PROOF" PLAN.
- INFORMATION ON THE NEW COMPANION MAUSOLEUM.

I UNDERSTAND THAT THERE IS NO OBLIGATION.

NAME

MAILING ADDRESS

FILL OUT AND MAIL THIS COUPON...NOW...TODAY

TRINITY MEMORIAL PARK...STERLING CITY ROUTE, BIG SPRING, TEXAS 79720

ACT NOW!

1x3
1x3
1x3

Sounds like Multiplication? Guess again...It's newspaper talk for a one column by 3-inch ad. Too small to be effective. You're reading this one!

NUCLEAR ENERGY
Radiation
Third of a series

Radiation exposure usually mighty difficult to detect

About 40 persons each year are overexposed to radiation in Texas.

But most of the overexposures are so small it's difficult to detect any biological change from the incident, according to officials at the state's Radiation Control Division.

Division head Ed Bailey says 297 individuals between 1970 and 1977 -- the last year for which figures have been compiled -- received radiation overexposures.

"Generally, most of the exposures were less than 10 rems," Bailey says.

Although a few individuals, such as John Newkirk, received much higher overexposures, the division hasn't compiled figures on the severity of the exposures reported to it.

A rem is the measure of damage radiation inflicts upon human tissue. A millirem is 1-100th of a rem.

The number of rems a person is allowed to receive under state law depends on the person's age and the amount of radiation received previously. Under no circumstances is a person supposed to receive more than three rems during a three-month period.

An average United States citizen could receive as much as 200 millirems during a year from medical treatment, nuclear weapons fallout, cosmic rays and other omnipresent radiation sources.

In Texas, about 1,500 institutions are licensed to use radioactive materials.

Doctors use radioactive isotopes to treat cancer, to diagnose thyroid, liver and kidney disorders, to locate brain tumors, to scan lungs and bones, to measure production of blood cells and to take X-rays.

Industry uses radioactive materials to identify water and oil bearing layers in wells, to test welds, to measure the thickness and density of materials, to make smoke detectors and luminous paints.

While radioactive material potentially is harmful,

Bailey says it generally is handled responsibly and safely.

The effect of small doses of radiation is not known. Some say no dose of radiation is a safe dose. They base that belief on the assumption that each exposure to radiation increases the chances an individual will develop cancer.

"With any exposure," Bailey says, "statistically you have an increase of coming down with cancer."

Others, however, maintain that small doses of radiation have no effect on human tissue. They say radiation doses beneath a certain threshold are harmless. That one-dose threshold varies from 50 to 100 rems.

BUFFET SPECIALS

Even More of the Things You Love. Enjoy all the pizza and salad you can eat for only \$2.69.

Children under 12: Age X 15¢
TUESDAY NIGHT BUFFET

Every Tuesday Night 6:00 pm to 8:30 pm

NOON BUFFET
Monday through Friday 11:00 pm to 2:00 pm

You get More of the Things you Love.

Pizza inn.

1702 Gregg
2151 E. 42nd-Odessa
2120 Andrews Hwy.-Odessa
2212 E. 8th-Odessa
3316 Illinois-Midland

263-1381
362-0479
332-7324
327-2297
694-9851

Brown's
PEOPLE IN WHITE WEEK

March 27th to April 5th
One Group White Duty Shoes
\$17.97

Brown's Shoe Fit Co.
1901 Gregg
Big Spring, Texas
263-4709

VISA
master charge

Texas criminal code tested

Jury chosen at trial biased toward capital punishment?

WASHINGTON — The Texas criminal code's guidelines for picking a jury in death penalty cases are so vague prosecutors can exclude "sensitive, right-thinking" jury candidates, it was argued Monday before the U.S. Supreme Court.

Randall Dale Adams, given the death sentence in 1977 for shooting a Dallas

policeman, has claimed the jury chosen at the trial was biased toward capital punishment.

Melvyn C. Bruder, an attorney for Adams, told the Supreme Court during the one-hour hearing Monday Texas law allows prosecutors to dismiss jurors that federal law would require be seated for jury duty.

But Douglas M. Becker, a Texas assistant attorney general, argued that the Texas procedure for choosing jurors is "more fair" than federal law and does not bring about juries prejudiced toward death.

The 1974 Texas code allows attorneys to dismiss any juror who says the prospect of voting for the death penalty would "affect" the

juror's deliberations in the case.

Federal law states that no juror may be dismissed unless the juror says "unmistakably" the death penalty prevents his rendering a fair, legal judgment.

The Supreme Court, which is not expected to render judgment for several months, must decide

whether the way the Texas code is written and applied unconstitutionally violates the federal law.

Bruder, speaking on behalf of Adams who is serving his time in Dallas, said the Texas statute should either be amended or clarified.

"If it were established that the word 'affect' means 'biased' then the Texas law would be constitutional,"

said Bruder. "But as it stands now there is no definition of 'affect' and it's being used to exclude sensitive, right-thinking jurors."

Bruder said that by making "affect" a legal term, the code would then adequately reflect federal law that seeks to eliminate jurors who would

unfairly judge a case because of negative feelings about the death penalty.

However, Bruder said the Texas code is adequate as it stands because a jury votes only indirectly for the death penalty.

A capital case in Texas requires two trials: one to determine the defendant's guilt or innocence and another for the punishment.

Becker pointed out that even at the punishment state the jurors do not vote directly for death or life imprisonment, but only on specific questions of law. The judge then sets the sentence.

Federal law requires that juries represent a "fair cross-section of community attitudes."

Wildcat, outpost ventures in Howard

A wildcat and an outpost have been scheduled in Howard County.

Fortune Production Co., San Angelo, announced location for an 8,400-foot Strawn wildcat in Howard, 1 1/4 miles south of the Vealmoor, East (Canyon) field, separated by a 7,124-foot failure, 2 1/4 miles west of depleted one-well Vealmoor-Read (Canyon) field, one location north of an 8,100-foot failure and one location west of a 7,958 foot failure and an 8,005-foot failure, and seven miles southwest of Vincent.

Location is 990 feet from the south and 1,650 feet from the east lines of 24-27-H&TC.

The 7,958-foot failure, J.R. Todd Oil & Investments Inc., No. 1-B Thompson, was abandoned April 12, 1976. The 8,005-foot failure, Todd No. 2-A Pat Thompson, was abandoned Sept. 17, 1975 feet, a re-entry, it originally was drilled by P. R. Rutherford and Pan American Petroleum Corp. as the No. 1-A-2 Pat Thompson, to 8,000 feet and abandoned April 21, 1951. The 8,100-foot failure, Lario Oil & Gas No. 1-A Oldham, was abandoned Sept. 11, 1974.

The Vealmoor-Read opener, Trans-Tex Drilling Co. and N.P. Powell No. 1 Read Ranch, drilled to 7,723 feet,

was finalized Jan. 14, 1964, for 504 barrels of 47.8 gravity oil, with gas-oil ratio of 800-1, through perforations at 7,713-21 feet. It was reopened Aug. 21, 1961 with completion of N.P. Oil Co. Inc. No. 2 N.H. Read, for 132 barrels of 45 gravity oil, no water, with gas-oil ratio of 995-1, through a 12-64-inch choke and perforations at 7,725-30 feet. It also is depleted.

Amoco Production Co. will drill the No. 2 Charles B. Musgrave as a 1 1/4-mile southwest outpost to Fusselman production in a south extension area of Coahoma, North (Fusselman and Wichita-Albany) field, three miles southeast of Coahoma.

Location is 467 feet from the south and east lines of 7-30-1s-T&P. Contract depth is 9,500 feet.

It is a north offset to McCann Corp. No. 1-18 Powell, in 18-30-1s-T&P, active wildcat, which was drilled "tight" to 9,040 feet, where 4 1/2-inch casing was set.

JOHNSON SHEET METAL
McGraw Edison
Air Conditioner
1208 E. 3rd Phone 263-2780

Ozarka 45th Anniversary Sale

March 28, 29, 30

COUPON
15¢ OFF 1 GAL. OZARKA DRINKING WATER
VOID AFTER 3-30-80

COUPON
25¢ OFF OZARKA 10 QT. HANDY TAP
VOID AFTER 3-30-80

COUPON
50¢ OFF 5 GAL. OZARKA
VOID AFTER 3-30-80

Redeemable at the following stores:
M. System, Gibsons, Bill Sears, Foodway, Albertsons, Furr's, Safeway, Woolco, Everybody's.

OPEN HOUSE

March 28th, from 1 to 4 p.m. you're invited to tour the Ozarka Office and Plant. Ozarka has served West Texas with the best in bottled water since 1935.

THANKS BIG SPRING FOR MAKING

Ozarka #1

For Office or Home Delivery

Call

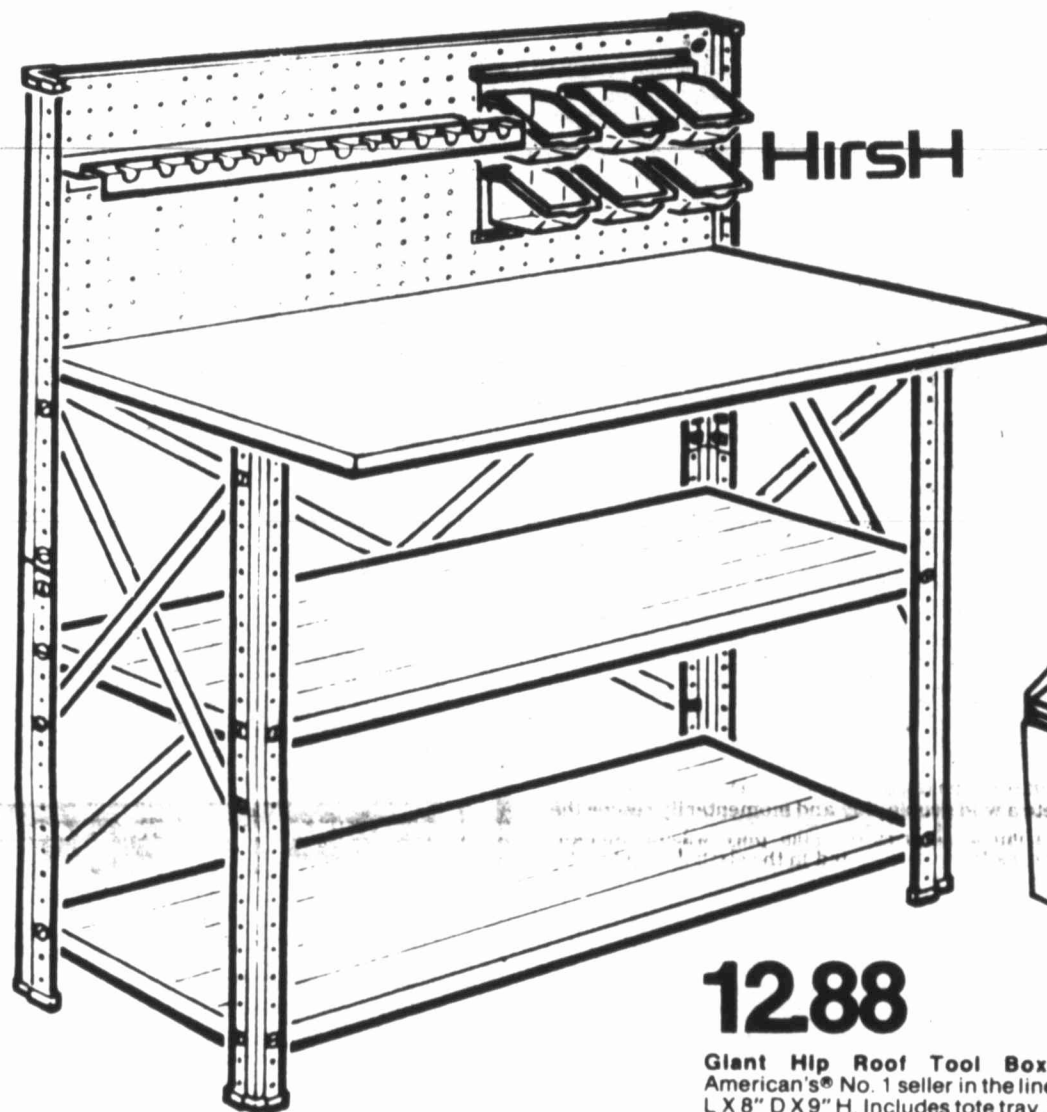
563-3950, 682-3781, 267-5731

TG&Y family centers

Items Available In TG&Y Builders Supply Stores Only Mar. 27

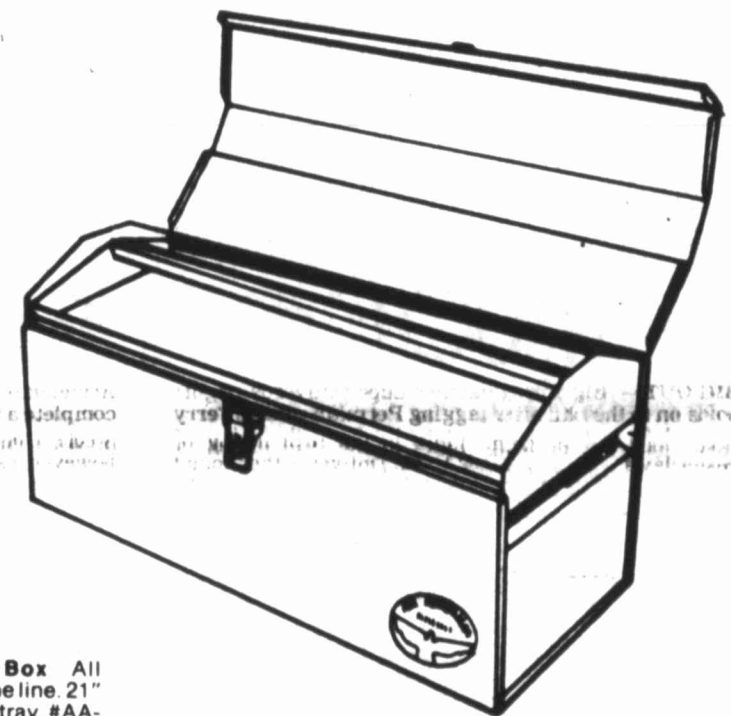
if you like to save, and still get your money's worth...

then check these low prices for the do-it-yourselfer



12.88

Giant Hip Roof Tool Box All American's® No. 1 seller in the line. 21" L X 8" D X 9" H. Includes tote tray. #AA-210



16.88

Work 'n Hobby Bench® A complete workshop for the home! Steel legs, shelves, back and side braces assure stability and rigidity. Comes with 6 clear plastic removable bins and steel tool rack. The Work 'n Hobby Bench® also includes a 500-piece assortment of 52 varieties — screws, nails, bolts, washers, cotter pins and anchors. 36"W x 48"H x 20"D. #TW108

18.88

Variable Speed Jig Saw Slide control switch lets you choose the speed to suit the job & material. #7580



Armstrong

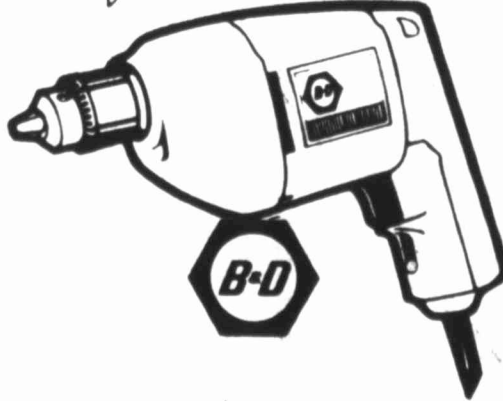
.48 Ea.

Place 'n Press® Tile 12" square with self-adhesive back. In such patterns as Bradford Brick Red, San Roque Olive & more.



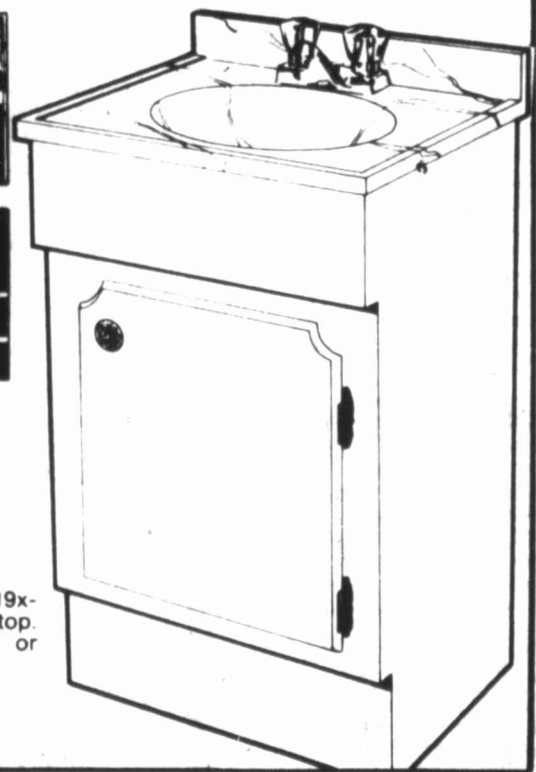
8.97

1/4" Drill with recessed Locking button under trigger. Assures Positive lock-on. No. 7004



32.88

Beauty Craft® Vanity 19x16" base with 20x17" top. In White and Gold or Antique White styles.



9.88

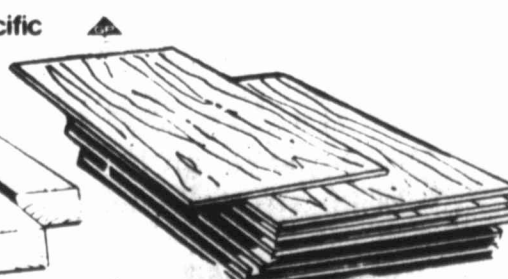
Folding Saw Horse Steel legs, cross braces and supports are engineered for stability. 24"Wx30"Hx19"D. #TSH1



1.49

2x4" Studs 8-foot in length; a great buy for do-it-yourselfers in and around the house.

Georgia-Pacific



8.96

Plywood 4 foot x 8 foot sheets. Fine quality...good for lots of construction uses. C/D. 1/2" thick.



Particle Board Redecorating? Cut costs with 4'x8'x5/8" particle board.

6.57

TG&Y'S ADVERTISED MERCHANDISE POLICY—TG&Y's policy is to always have advertised merchandise in adequate supply in our stores. In the event the advertised merchandise is not available due to unforeseen reasons, TG&Y will provide a Rain Check, upon request, in order that the merchandise may be purchased at the sale price when it becomes available, or you may purchase similar quality merchandise at a similar price reduction. We will be happy to refund your money if you are not satisfied with your purchase. It is the policy of TG&Y to see that you are happy with your purchases.



Your best buy is at TG&Y!

Sixth inning propels Mojo by Steers

By NATHAN POSS
Sports Editor

The Odessa Permian batsmen awoke in the sixth inning against a tiring Moe Rubio to erupt en route to a 6-2 victory over the Big Spring Steers in a District 5-AAAA game here Tuesday afternoon in Steer Park.

The loss was the third disappointment in a row for the young Steers of Coach Howell Martin, who started all underclassmen in the

lineup against the senior laden Panthers. The Big Spring crew is now 3-10 on the season.

The win keeps Permian in the first half of the 5-AAAA race with a mark of 2-1. The Panthers sport a season record of 8-5.

The contest was a pitching duel for most of the contest, as Rubio and Mojo right-hander Mike McCoy controlled the contest in the opening four innings as the

score remained deadlocked at 0-0.

The sophomore Rubio had allowed but one hit over the first four innings. But Permian began their charge in the fifth, as Jerry Hix reached base on a Steer error. After stealing second, Permian's Jimmy Sample singled to score the speedy Hix and break the deadlock.

Permian worked runners to second and third in the inning with only one out, but excellent defensive work by the Steers nullified the Mojo threat. Mike Williams grounded to Tommy Rodriguez, who gunned down pinch runner Terry Rice at the plate. Steer catcher Tommy Ontiveros, after tagging Rice, hurled to Hayworth, who then threw to Armendariz.

Armendariz then ran down Permian's Ricky Reynolds for the third out.

But with Rubio apparently tiring, the Panthers pecked away incessantly at the Steers in the sixth. After the first Mojo hitter was retired in the sixth, the Panthers connected on five straight singles off Rubio to increase their margin to 3-0. At this point, with the bases loaded, Martin replaced Rubio with Wayne Shipman.

Sample greeted Shipman with a two-run single to give Permian a 5-0 advantage before the Steer reliever retired the red hot Panthers.

Permian increased their lead to 6-0 in the top of the seventh before the Steers put on a last gasp attempt at victory.

Rusty Hayworth led off the seventh with a triple to left in the sun, and Tommy Olague followed with a double to plate Hayworth. Blake Rosson then reached base on an error by Permian's

Richard Hanfield, with Olague moving to third.

Marcus Armendariz then struck out, and Mark Warren drove in Olague on a fielder's choice, but that put two outs against the Bovines. Rodriguez, who had three hits on the day, kept the Bovines alive momentarily with a single, but Reynolds made a running catch of a Dickie Wrightall line drive to end the game and preserve the Permian victory.

Permian's McCoy allowed nine hits in the contest, the same number his teammates had against Rubio and Shipman, but excellent control and near errorless baseball helped him keep the Steers in check. McCoy walked nobody, and Permian made only one error in the contest.

In other 5AAAA contests, Midland Lee defeated Abilene Cooper 5-4, Midland routed Abilene 14-0, and San Angelo upended Odessa by 7-2. Lee now is in first place in 5-AAAA with a record of 3-0, with Cooper, Midland and Permian all one game back.

Big Spring will be at home tomorrow in a non-district encounter against Snyder.

PERMIAN	
Williams-rf	4-0-0
Hanfield-2b	4-1-0
Fowler-3b	4-1-2
Wynne-ct	4-1-1
Morris-dh	4-1-1
McCoy-p	0-0-0
LaRoque-1b	3-1-1
Hix-ss	3-1-1
Sample-c	3-0-2
Rice-2b	0-0-0
Reynolds-if	3-0-1
TOTALS	32-4-9
BIG SPRING	
Warren-ct	4-0-1
Rodriguez-ss	4-0-3
Wrightall-rf	4-0-0
Olague-1b	3-0-1
Shaver-if	3-0-1
Hayworth-2b	3-1-0
Ontiveros-c	3-1-1
Rosson-dh	3-0-1
Rubio-p	0-0-0
Shipman-p	0-0-0
Armendariz-2b	3-0-0
TOTALS	30-2-2

Big Spring Herald SPORTS Wednesday

BIG SPRING, TEXAS, MARCH 26, 1980.

SECTION B

SECTION B



(PHOTO BY BILL FORSHIE)

BIG OUT — Big Spring catcher Lupe Ontiveros (right) holds on to the ball after tagging Permian runner Terry Rice (left) out at home plate in the fifth inning of yesterday's contest at Steer Park. Ontiveros then found his feet in time to throw to Steer's third baseman Rusty Hayworth, who fired to second baseman Marcus

Armendariz, who tagged another Permian runner out to complete a wild double play and momentarily rescue the Steers from a Mojo rally. This play wasn't enough, however, as Permian erupted in the sixth inning to take a 6-2 win. See related story.

Concerning future playing status

Staubach to make announcement Monday

DALLAS (AP) — Dallas Cowboys Coach Tom Landry, pressed for the umpteenth time to speculate on the retirement of Roger Staubach, said today that he would be surprised if the veteran quarterback returned for one more season.

But, he quickly pointed out, he does not know for sure, indicating that Staubach has not told him.

"His inkling all the time was that he would retire," Landry said. "I haven't seen anything to say different to this point. But I don't know. When you make a decision that important you may have

a change of mind at the last minute. I don't like to put him on the spot and say what he's going to do one way or another."

Staubach has called a news conference for Monday morning to announce his decision.

Another person who would be surprised of the 38-year-old Naval Academy graduate returned is Tex Schramm, president and general manager of the team.

"Generally," Schramm pointed out, "you don't call a press conference to announce you're going to continue to play. I still have

hopes he will consider playing another year because I think it's very important to the team and all of Staubach's fans, myself included."

Three reasons have been banded about the past year as to why Staubach would retire — age, family and health, or a combination.

Each of those factors has pressured him and Schramm objects in one instance. He believes Staubach has been made to feel he's reached some sort of magic cutoff point through longevity.

"Roger is a very unique

personality and individual," he explains. "Roger looks at the calendar and it says he's 38 years old. But if you threw away the calendar, he wouldn't even be thinking about retirement."

HIGH BLOOD PRESSURE?
IT'S A KILLER!
Have Yours Checked FREE

THE MEDICINE SHOPPE
THURSDAY
MARCH 27
FROM
10-6
1001 GREGG
A COMMUNITY SERVICE
IN ASSOCIATION WITH
The American Heart Assn.

Lubbock Christian edges Steer JVs

LUBBOCK — The leadoff Lubbock Christian hitter in the bottom of the seventh homered to power the Hub City school to a 9-8 win over the Big Spring junior varsity here Tuesday afternoon.

The Steer JVs battled against the varsity Lubbock Christian outfit from the

beginning, as a two-run single by Tommy Ontiveros gave the Big Spring team an early lead in the first inning.

But Lubbock Christian came back in the second to take a 3-2 lead.

The Steer junior varsity, behind the hitting of James Walker and Alan Trevino,

exploded in the third for six runs to take an 8-3 lead.

But LCHS rallied for five runs in the fifth to knot the score at 8-8, then held off the Steer JVs until the decisive home run.

The loss drops the Big Spring JVs record to 3-3.

Fifty Years of Innovation Doodlebuggers

If you are a dyed-in-the-wool doodlebugger and plan on staying in the oil patch, why not join the leader in technology, compensation and benefits.

Numerous openings available throughout the U.S. for the following skills:

- Party Managers
- Instrument Engineers (Observers)
- Permit Agents
- Surveyors
- Vibrator Mechanics

International assignments also available.

Call (214) 980-0405 collect or write: Staffing Manager (LD/JE)/P. O. Box 225621, M.S. 3948/Dallas, TX 75265.

GEOPHYSICAL SERVICE INC.
A SUBSIDIARY OF TEXAS INSTRUMENTS INCORPORATED

An equal opportunity employer M/F

NEW "MANUFACTURED" HOME
PRICED UNDER \$30,000
D&C BASS INC.
Manufactured Housing HEADQUARTERS
PARTS STORE
1200 W. Hwy. 89 797-5645

MOGEN LIQUOR STORE

2000 S. GREGG

CLOSE OUT SALE

ALL STOCK REDUCED

20% to 50%

11:00 A.M. til 7:P.M.

ALL WEEK

'THE STORE' AUTO SERVICE **GOODYEAR SERVICE STORES**

FRONT-END ALIGNMENT -YOUR CHOICE!

\$1788

Warranted 90 Days
Or 3,000 Miles,
Whichever Comes First

\$3988

LIFETIME ALIGNMENT AGREEMENT
You pay only once! From then on, we'll align your car's front end at no charge every 3,000 miles or whenever it's needed - for as long as you own your car. No problems. No hassles. No fooling!

• Inspect all four tires • Set caster, camber, and top to proper alignment • Inspect suspension and steering systems
Most U.S. cars. Foreign cars at our option. Front wheel drive and Chevettas extra. Parts and additional services extra if needed.

"LIFETIME ALIGNMENT"
For as long as you own your car, we will recheck and align the front end. If needed, every 3 months or 3,000 miles - or whenever needed. Valid only at the Goodyear Service Store where purchased. Offer does not cover the replacement of tires and/or parts that become worn or damaged. Agreement void if service work affecting the alignment is performed by any other outlet.



PROTECT MOVING PARTS Lube & Oil Change \$688
Includes up to five quarts motor oil and 10W-30 oil & chassis lubrication. Oil filter extra if needed.
INCLUDING
Our 9-point maintenance check:
• Transmission fluid
• Power steering fluid
• Brake fluid
• Battery water level
• Battery cables
Includes many imports and light trucks. Please call for appointment.

PROTECT YOUR AUTOMATIC TRANSMISSION Service \$3488
Additional parts and services extra if needed.
• Drain and replace transmission fluid
• Install new pan gasket
• Replace transmission filter, when equipped
• Adjust linkage and bands, where applicable
• Most U.S. cars, some imports
Warranted 90 days or 3,000 miles, whichever comes first.

CHARGE IT! MAINTAIN STOPPING DISTANCE Brake Service - Your Choice \$7988
Additional parts and services extra if needed.
3-WHEEL FRONT DISC: Install new front brake pads and rotors • Resurface front bearings • Inspect calipers and pack front bearings • Inspect hydraulic system • Add fluid
4-WHEEL DISC: Install new brake lining, all 4 wheels • Resurface front and rear drums • Resurface front and rear bearings • Inspect hydraulic system • Add fluid
Warranted 12 months or 12,000 miles, whichever comes first.

12-Month Tune-Up!
Check charging and starting systems • Install new rotor, spark plugs, points, and condenser • Set dwell and timing • Check, lubricate, and adjust choke as needed • Adjust carburetor • Additional parts and services extra if needed.
Any time within one year of your tune-up, bring your vehicle and "Free Engine Analysis" certificate back to the Goodyear Service Store that performed the original work. They'll give your car an electronic check-up, and if any parts replacement or adjustment is needed, and was part of the original tune-up, Goodyear will fix it free of charge. Up to three free analyses.

SALE SAVE ON GOODYEAR POWERGUIDE TIRES

Wholesale Size	SALE PRICE	Plus FET, no brake needed
D78-14	\$33.00	\$1.96
F78-14	\$36.00	\$2.23
G78-14	\$39.00	\$2.38
H78-14	\$41.00	\$2.80
G78-15	\$38.00	\$2.46
H78-15	\$41.00	\$2.66
L78-15	\$44.00	\$2.96

\$2800 Sale Ends April 5!
\$78-15 minimum, plus \$1.77 FET, no brake needed.

CHARGE IT! APPLY TODAY FOR YOUR GOODYEAR CAR CARD!

THE GOODYEAR PROMISE
• WE DO PROFESSIONAL WORK • WE DO ONLY THE WORK YOU AUTOMOBILE • WE HONOR OUR AUTO SERVICE LIMITED WARRANTY NATIONWIDE • WE RETURN WORN-OUT PARTS
LIMITED WARRANTY. All Goodyear service is warranted for at least 90 days or 3,000 miles, whichever comes first — many services, much longer. If warranty service is ever required, go to the Goodyear Service Store where the original work was performed, and we'll fix it, free. If, however, you are more than 50 miles from the original store, go to any of Goodyear's 1400 Service Stores nationwide.

408 RUNNELS BIG SPRING, TEX
GOODYEAR SERVICE STORE
STORE HOURS:
Monday thru Friday — 7:30 a.m. to 5:00 p.m.
Saturday — 8:00 a.m. to 5:00 p.m.

MIKE SANDERS MANAGER
267-6337



I LOVE MY DADDY — Ballplayers will tell you that spring training is a lot of hard work. Pittsburgh Pirate relief ace Kent Tekulev is probably one of them. But this poignant moment with his two-year-old son, Christopher, would refute the statement. Christopher climbed up and gave his dad the kiss as Kent relaxed after finishing wind sprints.

Christopher, would refute the statement. Christopher climbed up and gave his dad the kiss as Kent relaxed after finishing wind sprints.

Baseball meetings continue

SCOTTSDALE, Ariz. (AP) — Negotiations on a basic agreement between major league baseball owners and players were to reopen here today, with owners guardedly optimistic and players' representatives flatly pessimistic about avoiding a strike at the start of the season.

Major league executives met Tuesday with their chief negotiator, Ray Grebey, who said no modifications were made in the owners' latest offer.

"No votes were taken or policy-decisions made today," Grebey said following a 90-minute meeting with the owners' negotiating committee. The committee is composed of Grebey, the presidents of the American and National leagues, and six team executives: Daniel Galbreath of Pittsburgh, Bob

Howsam of Cincinnati, John McHale of Montreal, Joseph Burke of Kansas City, Ed Fitzgerald of Milwaukee and Clark Griffith II of Minnesota.

The executive director of the Players' Association, Marvin Miller, was dismayed by the news that the owners made no policy moves Tuesday.

"Since the Players Association finds that the owners' demands are unacceptable and the owners apparently are unwilling to change their position," Miller said he could see no reason for any of the optimism expressed by the owners.

Negotiating talks were planned daily through Friday, and Miller is also scheduled to meet with players from seven more

teams this week to discuss the negotiations and the possibility of a strike.



HAL BOYD

Experience in Management

City Council Pl. 2

Pol. Adv. Pd. By Hal Boyd, Treas. 607 Highland, Big Spring, TX

WTC performers earn awards

Western Texas, who ended a perfect season by winning the National Junior College Athletic Association Tournament in Hutchinson, Kansas, last week, dominated the tourney's elite selections.

The national champion Westerners of Coach Nolan Richardson, who is leaving WTC to take the head job at Tulsa University, had four people honored at the conclusion of Saturday night's championship game. WTC claimed the national title with a come from behind 85-72 win over Jefferson State of Alabama in the championship bout.

Paul Pressey, a 6-5 sophomore, was named the Most Valuable Player in the prestigious affair. Pressey only averaged 15.7 points per game in the NJCAA Tourney, but impressed everyone there with his outstanding all-around play. Pressey has been the MVP in the Region V Tournament the past two years.

WTC teammate Greg Stewart, a 6'9" sophomore, was named the All-Tournament squad. He is one of two returners from last year's squad. The other is Marvin McCray of Three Rivers College of Poplar Bluff, Missouri. Stewart has been named to every All-Tournament squad that he has ever participated in as a Westerner.

Other All-Tournament selections included Raphael Dirden of Yavapi, Arizona; Fred Freeman of Jefferson State; Tony Webster of Monroe, New York; Claude Butler of North Idaho; Calvin Oldham of Middle, Georgia; Fred Watkins of Lincoln, Illinois; and Elton Webster of Tyler, Texas.

Western Texas' outstanding guard Phil Spradling received the Seshier Sportsmanship Award, while Casper Ware of Yavapi received the Bud Obee Most Outstanding Small Player Award.

Richardson, who ended his regime at WTC with a 101-13 record, was named the Coach of the Tournament.

In win over Houston Rockets

Defense means success for Spurs

SAN ANTONIO, Texas (AP) — The San Antonio Spurs, the National Basketball Association's worst defenders, just haven't been themselves lately. Interim coach Bob Bass couldn't be happier about the change.

Believe it or not, the Spurs have resorted to playing defense in their last nine games. They've won seven of those, including Tuesday night's 126-107 rout of Houston, and assured themselves of a playoff berth.

With three games remaining, the Spurs hold the fourth of six Eastern Conference playoff spots. If they maintain that pace, they would have the important homecourt advantage in the first-round, best-of-three series.

The Rockets, meanwhile, are 38-41 and clinging to the sixth and final Eastern

Conference playoff berth — one game ahead of seventh-place Washington.

New York is in fifth, while Boston, Atlanta and Philadelphia have already locked up the top three positions.

Bass was ecstatic with the Spurs about-face.

"You spell it with a 'd.' The defense does everything for you," said Bass, who took over 12 games ago when Doug Moe was fired. "We've done a good job defensively."

"We're a new team, a totally different team," said veteran guard James Silas. "Everybody thought we couldn't play defense. We can play defense. We just needed a guy to motivate us and appreciate what we do. We've got that now with Bob."

Bass stepped in during a disastrous eight-game losing streak, in which San

Antonio's porous defense yielded an average of 127 points per game.

Preaching an unfamiliar gospel of defense, Bass turned the team around nine games ago. Since then, the Spurs have given up an average of less than 103 points per game.

San Antonio and Houston were tied 29-29 after the first period Tuesday night. But veteran Mike Gale came off the bench to ignite the Spurs in the second period.

Gale hit eight points and handed off six assists in the period as the Spurs outscored Houston 37-22. San Antonio hit 16 of 18 shots in that quarter for a blistering 89 percent.

The Spurs led by as many as 24 points in the third period. The Rockets never drew closer than 15 points in the final quarter.

"They controlled the tempo of the game,

especially when they made 16 out of 18 shots. That set the tempo," said Houston's Calvin Murphy.

"They wanted the game more than we did. They were more physical, they outthrusted us, and they outkicked us to the basket. Our defense was not alert," said Houston Coach Del Harris.

Due to a late-season quirk in the NBA schedule, the two teams meet again tonight in Houston. And the Rockets vowed to remember Tuesday night's thrashing.

"Tomorrow it will be our turn. If we lose tomorrow, it certainly won't be because of a lack of hustle. We will put out a maximum effort," Houston's Billy Paultz said Tuesday night.

"This game is over with," said Murphy. "The next game we will just have to show some pride."

Scorecard

NBA Transactions

Eastern Conference	Atlantic Division	Pct.	GB
y-Boston	30	.70	—
y-Phila.	26	.71	—2 1/2
New York	20	.48	20 1/2
Washington	37	.48	22
New Jersey	33	.46	26
Central			
x-Atlanta	49	.68	—
San Antonio	40	.59	—7 1/2
Houston	38	.41	11 1/2
Cleveland	35	.44	14 1/2
Indiana	35	.44	14 1/2
Detroit	34	.33	25 1/2
Western Conference			
y-Milwaukee	47	.595	—
y-Kansas City	45	.50	2
Denver	38	.43	17 1/2
Chicago	38	.51	35 1/2
Utah	34	.55	30 1/2
Pacific Division			
x-Los Angeles	57	.72	—
y-Seattle	54	.64	3
y-Phoenix	47	.57	10 1/2
Portland	37	.42	20
San Diego	35	.44	22
Golden State	33	.44	24
v-clinched division title			
v-clinched playoff berth			
Tuesday's Games			
Boston 94, Washington 95			
New York 128, Cleveland 115			
San Antonio 126, Houston 107			
Milwaukee 122, Chicago 111			
Utah 109, Denver 91			
Seattle 104, Phoenix 95			
Portland 98, Kansas City 102			
Rockets-Spurs, Box Houston 187			
Paultz 1 4-6, Reid 2 2-2, Malone 10 10-12, Henderson 3 0-0, Murphy 8 0-16, Tomjanovich 10 0-20, Leavelle 3 0-6, Jones 4 2-2, Durlavey 2 1-2, Bradley 1 0-2, Totals 81 29-27 136.			
San Antonio 29 27 24 35—126			
Three-point baskets: Evans, Total Fouls — Houston 27, San Antonio 27. A — 14, 23A.			

Baseball

BASEBALL	American League
BOSTON RED SOX—Placed Bill Campbell, pitcher, on the 40-day disabled list; Placed Tom Poquette, outfielder, on the 71-day disabled list. Sent Mike Howard and Steve Schneck, pitchers, and Julio Valdez, shortstop, to their minor league camp for reassignment.	National League
NEW YORK METS—Sent Jesse Grassie, Ed Lynch, and Tim Lary, pitchers, and Wally Beckman, Brian Giles, and Hubie Brooks, infielders, to their minor league camp for reassignment. Named Jay Horwitz public relations director.	National Football League
NEW YORK KNICKS—Activated Sly Williams, forward. Placed Geoff Huston, guard, on the injured reserve list.	Canadian Football League
SASKATCHEWAN ROUGHRIDERS—Signed Frank Henry and Gerry Falner, wide receiver; Cleveland Vann, linebacker; and Lyle Bauer, offensive guard.	TORONTO ARGONAUTS—Signed Dave Newman, wide receiver; Derrick Martin, cornerback; and Terrill Oliver, defensive end.
FRESNO STATE—Named Gene "Red" Estes head track coach.	IOWA STATE—Named Johnny Orr head basketball coach.

Baseball

Tuesday's Games
New York (A) & Kansas City 7
Boston 7, Chicago (A) 5
Minnesota 8, Houston 3
Texas 7, Atlanta 2
Philadelphia 6, Baltimore 3
Toronto 6, Pittsburgh 4
New York (N) 4, Montreal 3
Cincinnati 1, Los Angeles 0

Local BMX riders take honors

MIDLAND — The National Bicycle Association moto-cross riders from Big Spring took home their share of the trophies from Sunday's races at the BMX track at the races here the past weekend.

Jim Baum of Big Spring took first place in the 16-and-over expert class, with Tony Hall of Big Spring finishing second in the 14-and-over open division.

The Pirkle brothers of Big Spring also fared well in the Midland races. Kevin Pirkle won a first place in the 8-9 novice division and a second place in the 8-9 open class, with Jay Pirkle placing second in the 12-13 beginner class.

Coahoma LL meeting postponed

An organizational meeting for the Coahoma Little League organization has been postponed.

The meeting, originally scheduled for Thursday, March 27, has been rescheduled for Tuesday, April 1. All interested coaches, workers, etc., are urged to attend the 7:30 meeting at Richter's Store in Coahoma.

Bearkats place in Grady Meet

Garden City thincads finished well in the three events at a meet in Grady Friday.

Pete Trevino won the 800-meter run with a time of 2:11.19. Mark Black took a fourth in the discus event with a throw of 97' 10".

The 1600-meter relay team took a fifth with the time of 4:04.

British in confusion over Olympics

LONDON (AP) — The British government appealed to Britain's athletes to turn their backs on their Olympic association and boycott the Moscow Olympics after the association defied Prime Minister Margaret Thatcher and voted overwhelmingly to compete in the Games this summer.

The BOA announced after a meeting Tuesday night that delegates from 15 of 30 national sports federations voted to reject Mrs. Thatcher's call for a boycott, four wanted the decision deferred and only one, the hockey federation, was in favor of staying home.

It was a major setback to President Carter's campaign for an international quarantine of the Moscow Games because of the Soviet military intervention in Afghanistan.

The government has already withdrawn the British diplomat who was to be the liaison man with Soviet Olympic officials, barred teams from the armed forces participating in the Olympics and banned the special leaves usually given athletes in uniform or government jobs to compete. But it cannot prevent their going if they can schedule their annual leave at that time, and Mrs. Thatcher has said she would not try to withdraw athletes' passports.

Whites Home & Auto Car Care Specials



Disc/Drum Brake Overhaul

79.95

Most American cars and pickups—Here's what we do:

- Resurface rotors and turn drums
- Rebuild front calipers and rear wheel cylinders
- Replace front disc pads & rear brake shoes
- Repack front wheel bearings
- Replace front grease seals
- Bleed and adjust brakes
- Whites safety check
- Road test

Oil and Filter Change

6.88

Most American cars, most pickups and some import cars—Here's what we do:

- Drain old oil
- Install up to 5 qts of Whites 10W40 oil
- Install Whites oil filter
- Whites safety check
- With major brand oil 0.00

Front End Alignment

14.88

Most American & import cars; Pickups \$3 extra—Here's what we do:

- Inspect front end parts
- Adjust caster and camber to factory specifications
- Adjust toe-in to factory specifications
- Whites safety check
- Road test

Price effective thru Mar. 29, 1980

1607 GREGG
Phone 267-5261

Whites Home & Auto

Big Automotive Sale

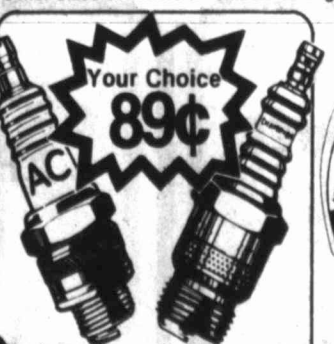


Buy With Confidence!

34.88 each (BCI Group 22F)

Whites 36 Low Maintenance Battery Free installation

Other sizes available at similar savings



AC or Champion Spark Plugs

Sizes for most cars

30-202 225-304-306

Your Choice 98c

AC or Champion Resistor Spark Plugs

30-226 252-312-362

Our Best Selling Tire! Save up to \$11 on our Premium Polyester 4-ply 27.88

As low as (A78x13W plus F.E.T.)

•4-ply bias construction •Polyester cord body

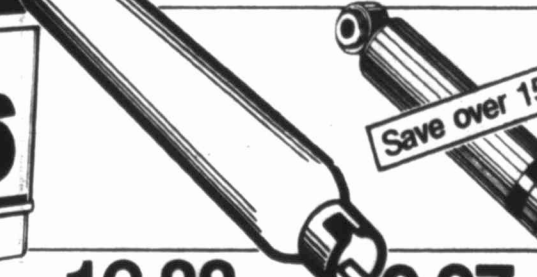
•Polybutadiene treads •Whitewalls 155-720-739

Backed by Whites' 25,000 mile TRIPLE WRITTEN LIMITED WARRANTY. It covers ALL ROAD HAZARDS (including punctures and blowouts), TREAD WEAROUT and defects in materials and workmanship. Whites will repair or replace the tire, based on use, at its option. Tire must be returned to Whites.

Free mounting—Extra charge for mounting mags

TIRE SIZE	F.E. TAX	REG PRICE	SALE PRICE
A78x13	1.52	37.95	27.88
C78x13	1.94	41.95	31.88
C78x14	1.92	42.95	34.88
E78x14	2.12	44.95	35.88
F78x14	2.23	45.95	36.88
G78x14	2.38	46.95	38.88
H78x14	2.60	52.95	42.88
A78x15	1.78	38.95	30.88
G78x15	2.46	49.95	39.88
H78x15	2.56	53.95	42.88
L78x15	2.96	55.95	44.88

*Plus F.E. tax per tire



12.88

Bushwhacker Performance Muffler

•Performance type replacement fits most cars

Installation available at most stores

209-279



88c qt

•SAE 30 wt Non-detergent

•SAE 20 wt Heavy Duty

•SAE 30 wt Heavy Duty

46-307-8-9

Prices effective thru March 29, 1980

1607 GREGG
PHONE 267-5261

SPECTACULAR!
SUNLAND PARK
POST 1:00 PM
THE FOCUS IS ON FUN

\$200,000 WEST TEXAS FUTURITY SLATED FOR SUNDAY

The West Texas Futurity—everything about it is BIG! First, there's the \$200,000 (est.) purse, that's big money in anybody's book. Then take a field of dynamic two-year-old quarter horses ready to fight for a win over a 330-yard course. It all adds up to one of the richest, early season quarter horse futurities in the country! Enjoy a day of great racing at Sunland Park—where the focus is on fun.

FRIDAY • SATURDAY • SUNDAY

JUST 6 MILES WEST OF **Sunland Park** DOWNTOWN EL PASO

'Passport to Adventure'

'See' splendor of Paris

Subscribers to the Big Spring Rotary Club's "Passport to Adventure" series have been to Mexico and Taiwan thus far. Thursday night in the Howard College Auditorium, they will get to see Paris in all its splendor through the eyes and the lens of lecturer Kathleen Dusek.

From the source until the Seine River reaches the ocean, Ms. Dusek used the offbeat approach in compiling this interesting film.

Those attending the program will experience a typical day of a family on its river barge, explore the Vineyards of Champagne and the historic woods of Fontainebleau and see life as it is lived in Paris, the City of Light.

Ms. Dusek will explain the ancient beginnings of the city, the Ile de la Cite and the Ile Saint Louis, tour Notre Dame and Saint-Chapelle Cathedrals and point out the contrasts of the Louvre and the George Pompidou National Center.

Her cameras will also linger over the Eiffel Tower and the Palais de Chaillot.

Ms. Dusek, a native of Whittier, Cal., has long been interested in film production. She took courses in that form of art at the Art Institute of San Francisco and the Film School of Half Moon Bay.

She has traveled the world in order to get authentic insights into each area and its people. Among the places she has visited are Bayamon, Puerto Rico; Interlaken, Switzerland; and the many cities and villages of Germany which formed the basis for her first travel-film production, "Germany: Once Upon a Time."

She was the first woman

Wyatt to speak on water uses

TEMPLE — Wayne Wyatt, manager, High Plains Water District headquartered at Lubbock, will be the principal speaker at the West Texas Association of Soil and Water Conservation Districts meeting March 31 in Abilene.

The meeting will begin at 10 a.m. at the Starlite Inn Restaurant, according to Jim Montgomery, president, Abilene.

Wyatt will speak on agricultural water uses, supply and plans for importation at the meeting.

Others expected to participate on the program include: Joe Antilley, member, Texas State Soil and Water Conservation Board; Hermon Petty, president, Association of Texas Soil and Water Conservation Districts; and Montgomery who is also a member of the ATSWCD's board of directors.

Sixteen soil and water conservation districts are members of SWCD's. They include: Upper Colorado, Upper Clear Fork, Concho, Middle Clear Fork, Mitchell, North Concho River, Coke County, Runnels, Middle Concho, Sandhills, Mustang, Howard, Midland, Nolan County, Andrews and Central Colorado.

Other officers of the organization are Jim Davis, vice president, Sterling City; and Cone Robinson, Sr., treasurer, Norton.

Pope to make tour of Africa

VATICAN CITY (AP) — Pope John Paul II announced today he will make a six-nation tour of Africa, to pay homage to what he called that "dear continent."

The trip will last from May 2-12, and include stops in Zaire, the Congo, Kenya, Ghana, Upper Volta and the Ivory Coast.

"I am happy to make this announcement," the white-robed pontiff told some 10,000 pilgrims and tourists gathered in the Paul VI Hall for his weekly general audience, moved inside from St. Peter's Square because of rain.

The pope issued regrets for those countries in Africa whose invitations he had to turn down but said with his tour "I want to pay homage to the whole of Africa," calling it that "dear continent."

Since his election as pope in October 1978, the Polish-born pontiff has visited the Dominican Republic and Mexico, Poland, Ireland and the United States and Turkey.

Pope John Paul's trip will be the second by a Roman Catholic pontiff to Africa.

employed by the Pacific Gas and Electric Co., as a groundperson whereby she pulled cable, climbed poles and engaged in the same activities as her male counterparts on the crew.

She now has her own film production company, and

has already written, produced and directed three award-winning films.

For those who don't have season tickets for the season, tickets will be made available at the door of the auditorium at a cost of \$4 each.



KATHLEEN DUSEK

Crash sends two men to hospital

STANTON — Raymond Blair Reed Jr. 28, Tampa, Fla., and Debra Morrison, 24, San Angelo, were hospitalized after their cars collided about a mile east of Stanton on IS 20 about 7:30

a.m., Sunday. Investigating officers said Reed dozed at the wheel and he over-reacted after his car struck a guard rail and entered the far eastbound lanes. Reed's car rolled over

once. Reed suffered abrasions and cuts while Ms. Morrison was hospitalized with back injuries. The two were taken to Martin County Hospital in Stanton.



Want Ads Will! PHONE 263-7331

MISS YOUR PAPER? If you should miss your Big Spring Herald, or if service should be unsatisfactory, please telephone. Circulation Department Phone 263-7331 Open until 6:30 p.m. Mondays through Fridays Open Sundays Until 10:00 a.m.



WE'LL GLADLY REDEEM YOUR USDA FOOD STAMPS

Coronado Plaza

THE BEEF PEOPLE

Prices Good Thurs., March 27 thru Sun., March 30, 1980

WVD "BRANDED" U.S. GOVERNMENT GRADED

We're trying to keep the cost of a good education down.

FROZEN FOODS

SAVE 50¢

Breyers All Natural ICE CREAM

All Flavors Except Butter Pecan Half Gal.

\$2.29

SAVE 41¢

32-Oz. Btls. DR. PEPPER

6-PACK

Plus Dep.

\$1.48

SAVE 28¢

THRIFTY MAID (Limit 2 Please) PINTO BEANS

2-Lbs.

69¢

SAVE 40¢

THRIFTY MAID CANNED SHORTENING

3-Lb. Can

\$1.29

JUMBO SUNBELT PAPER TOWELS

Roll

For

2 \$1

ALL VARIETIES: Except Ham & Beef

MORTON DINNERS

2 For

\$1

Reader's Digest CHEF-CROUT SPECIAL

ONLY 79¢ APRIL

Reader's Digest CHEF-CROUT SPECIAL

ONLY 79¢ APRIL

9-OZ. Old El Paso NACHIPS

83¢

Golden or White VAN CAMP HOMINY

14 1/2 OZ.

4 \$1

LIBBY'S TOMATO JUICE

46 OZ.

69¢

TASTE-O-SEA Butter Batter FISH STICKS

12 OZ.

\$1.69

CRACKIN' GOOD BIG 60 COOKIES

24 OZ.

99¢

Crackin' Good Baked CHEESE BALLS

5 OZ.

2 \$1

QUARTERS PARKAY

1-Lb. Pkg.

2 \$1

Pillsbury Sweetmilk or Buttermilk Biscuits 4 OZ. \$1.00

Crackin' Good Crescent Dinner Rolls 2 OZ. \$1.00

Kraft America's Finest Swiss Singles 12 OZ. \$1.79

Kraft Philly Plain Cream 12 OZ. \$1.19

Chiffon Soft Margarine Two 8-Oz. 79¢

Super Special

Gold Medal ALL PURPOSE ENRICHED FLOUR

5-Lb. Bag

SAVE 37¢ Limit One

Taste-O-Sea Butter Batter Fish Portions 12 OZ. \$1.79

Taste-O-Sea Butter Batter Fish & Chips 16 OZ. \$1.59

Birds Eye Broccoli Spears 10 OZ. 59¢

Kold Country French Fries 2 1/2 lb. 89¢

Dixiana Cut Okra 18 OZ. 99¢

Dixiana Cut Corn 24 OZ. 99¢

True Sweet Orange Juice 12 OZ. 89¢

Roman Meal Waffles 14 OZ. 79¢

Figs-N-Flap Jackets 16 OZ. \$1.79

Mortons All Varieties Pot Pies 3 OZ. 99¢

Salute Deep Dish Party Pizza 24 OZ. \$2.99

Oregon Farms Carrot Cake 17 OZ. \$1.89

SUPERBRAND Slim & Small Curd COTTAGE CHEESE

12-Ounce 69¢ 24-Ounce \$1.19

ARROW LIQUID BLEACH

64-OZ.

39¢

SAVE 26¢

BLUE BAY FANCY PINK SALMON

15 1/2-OZ.

\$1.49

SAVE 19¢

THRIFTY MAID Sliced or Halves PEARS

16-OZ.

2 \$1

5 LB. THRIFTY MAID LONG GRAIN RICE

\$1.79

10 OB. KOUNTRY COOKIN CHARCOAL BRIQUETS

\$1.59

32 OZ. THRIFTY MAID APPLE JUICE

69¢

15 OZ. THRIFTY MAID CHILI W/BEANS

59¢

WHOLE KERNEL NIBLETS CORN

12 OZ.

43¢

SWEET SUE WHOLE CHICKEN

52 OZ.

\$1.79

THRIFTY MAID Stems & Pieces MUSHROOMS

4 OZ.

2 \$1

PORT WORTH: 3220 North Main, 5302 East Bellway, 2330 Jacksboro Hwy., 6900 Camp Bowie, 3701 East Resadale, 8295 Old Grandbury Rd., 7201 Grapewine Hwy., 6513 Meadowbrook Dr., 560 Seminary South, 6728 Jacksboro Hwy., 3520 Mansfield Hwy., 7840 White Settlement, 1191 Oakland Blvd., 4105 Denton Hwy., 3300 Camp Bowie, 4515 Camp Bowie, 1719 Eighth Avenue, 400 W. Northside Dr., 5203 McCart, 1413 E. Lancaster, ARLINGTON: 550 Randall Hill Road, 1511 S. Cooper Street, 1701 W. Randel Mill Rd., 1406 E. Abrams, 2206 New York, 4900 W. Arkansas Lane, DALLAS: 7321 Gaston Avenue, 7622 Campbell Rd., 8310 Abrams Road, AZLE: 157 Industrial Street, BEFORD: 2500 South Gregg, BRUCEVILLE: 1207 West Walker, BENSBOCK: 9441 Hwy. 377 South, BIG SPRING: 2500 South Gregg, BRUCEVILLE: 2550 Jesse Lane, BROWNWOOD: 1400 Austin Avenue, BURELSON: 648 Wilshire Blvd., CARROLLTON: 2550 Jesse Lane, CLEBURNE: 1301 N.W. Henderson, 725 North Main, COMMERCE: 2216 Live Oak, COPPERAS COVE: Hwy. 190 and Georgetown Rd., CORSIKANA: 1809 West 7th Street

Jail guards released by inmates

NEWARK, N.J. (AP) — Five Essex County Jail guards were released today after being held hostage for more than 13 hours by inmates who took over two floors of the facility and threatened to throw hostages out of a 10th floor window.

One guard was taken from the jail on a stretcher. A sixth hostage, who authorities said was severely beaten, was released Tuesday night.

Another guard was dangled from the window during the incident, which involved about 60 inmates.

The siege started at 2:40 p.m. Tuesday after corrections officer James Dubose was shot with a handgun smuggled into the 12-story jail. Officials would not disclose the type of gun. Guards do not routinely carry guns in the jail.

Another corrections officer, John Belcher, was arrested on charges he smuggled the gun into the jail, said Essex County Prosecutor Donald Coburn.

The captured guards were released as the inmates were transferred to detention cells under a settlement reached by a team of negotiators, including two New York television newsmen.

"At approximately 6:10 a.m. we finally ended the negotiations and had the last of the hostages brought down," Coburn said.

Inmates were escorted in groups of four from the scene of the takeover to the women's floor. The hostages followed with one remaining inmate who carried the gun, Coburn said.

"The last man to come down handed the gun to a guard," he added.

Coburn said authorities agreed not to prosecute inmates for taking hostages or damaging jail property, but refused to agree that inmates would not be charged in the shooting of the guard.

The county said it would investigate to determine which prisoners were responsible for assaults on jail personnel during the takeover and would prosecute them.

It agreed to set up grievance committees and not to restrict visitation rights of those involved in the siege, Coburn said.

Coburn said about 60 inmates were involved in the disturbance, which was limited to the 10th and 11th floors, where 110 inmates charged with murder, armed robbery or violent crimes were housed.

County jails, such as the Essex facility, are used to house suspects awaiting trial or sentencing.

Guards said tension in the 600-inmate jail had been brewing for some time.

"They're the majority. They rule," said one guard, asking not to be identified. "It was bound to happen."

Wearing white towels around their heads, inmates shouted obscenities through broken windows, taunting troopers and police who surrounded the jail, and threatening to throw hostages out 10th floor windows.

At one point, the inmates hung a hostage, identified as Al DeRogatis, out a window. The guard dangled for about 10 seconds, then was hauled back inside.

Inmates initially demanded guns, ammunition and other weapons, said Sheriff Charles A. Cummings. But they later modified their demands, seeking increased visitation, better food and amnesty, he said.

Hopes rising for Colombian hostages today

BOGOTA, Colombia (AP) — With more negotiations scheduled today and three more hostages freed, there were increasing hopes of improved prospects for the release of the remaining 29 captives in the Dominican Republic's Embassy. But a Foreign Ministry official said the end of the siege was not yet in sight.

The feeling of optimism was enhanced by the smiles and handshakes that followed the last negotiating session Monday between representatives of the government and the guerrillas who took over the embassy four weeks ago. That atmosphere was in marked contrast to the apparent hostility after earlier meetings.

The guerrillas waited nearly 24 hours and released three Colombians, none of them diplomats or officials, Tuesday afternoon. The 29 hostages still held include U.S. Ambassador Diego Asencio and 18 other foreign diplomats.

The three freed men, smiling but looking tired, had been guests at the reception that was under way when the terrorists of the M-19 organization invaded the embassy on Feb. 27.

The guerrillas have now released a total of 26 hostages.

The Foreign Ministry source said the masked woman who represents the guerrillas in the negotiations agreed Monday for the first time to consider the government's offer of safe passage for the guerrillas to Cuba or Panama in exchange for the hostages' freedom. But he said she repeated the key guerrilla demand that 28 imprisoned leftists be freed.

The government did not budge from its position that there are no political prisoners in Colombia and that releasing any prisoners would be unconstitutional, the source said.

The offer to let the guerrillas go to Panama or Cuba was considered a concession since in the past the government opposed sending them anywhere in Latin America.

The woman said the hostages were in no danger as long as the government did not try to take the embassy by force, the source said. The government has pledged not to use force unless the lives of the hostages appeared endangered.

The State National Bank FDIC

DIAL 2531

PEOPLE A Great Tradition

Limited Time Offer!
FUNK & WAGNALLS HAMMOND WORLD ATLAS

ONLY \$3.98

- Detailed maps of the States and Canadian Provinces
- Geographical Maps
- World History in Maps
- The Solar System
- ...and much more!

Right Reserved to Limit Quantities
 No Sales to Declers

SAVE 20¢ PER Lb. ON ALL MEATS

USDA FOOD STAMPS

Coronado Plaza

SAVE WITH WINN-DIXIE THE BEEF PEOPLE

W/D BRAND (in 3-Lb. Box)
BEEF PATTIES
 POUND

\$1.19

SAVE 40¢ Lb.
 OSCAR MAYER SPARE RIBS
 POUND

\$1.19

SAVE 51¢ Lb.
 BUCKBOARD BONELESS FULLY COOKED HAM HALVES
 POUND

\$1.88

SAVE 20¢ Lb.
 HOLLY FARMS USDA Grade "A" CUT-UP FRYERS

59¢

HARVEST FRESH

U.S. No. 1 RED RIPE STRAWBERRIES

3 Pints **\$1.99**

W/D Brand Grade "A" BAKING HENS

59¢

Meat or Dinner W/D BRAND FRANKS

\$1.49

W/D Brand Hand-Peck GROUND BEEF

\$1.69

USDA Choice Center Cut Bone-in Chuck Roast or Steak **\$1.89**
 USDA Choice Half Thin Cut Bone-in Round Steak **\$2.79**
 USDA Choice Center Cut Boneless Round Steak **\$2.89**
 Waste Free Cube Steak **\$2.99**

U.S. No. 1 Large SLICING TOMATOES

49¢

MIX or MATCH:
 CUCUMBERS or BELL PEPPERS

4 For 99¢

Plain or Self-Rising Gold Medal FLOUR

78¢

W/D BRAND MEAT BOLOGNA

99¢

HOLLY FARMS CHICKEN LIVERS

79¢

USDA Choice Boneless Chuck Roast **\$2.39**
 W/D Brand (in 3-Lb.) Beef Patty Mix **99¢**
 Quarter-Pound (No Centers Removed) Pork Chops **\$1.38**
 8" Cut Rib End Loin Pork Roast **\$1.28**
 W/D Brand (3-Lb. "2") Whole Hog Sausage **\$1.19**

Hickory Sweet (2-Lb. "2") Sliced Bacon **\$1.19**
 W/D Brand Sliced Cooked Ham **\$2.49**
 Eckrich Reg. or Beef Smok-Y-Links **\$1.49**
 Holly Farms Grade "A" Whole Fryers **59¢**
 Mettler's Shrimp or Lobster Egg Rolls **\$1.59**

SAVE 20¢ DETERGENT LIQUID DOVE

69¢

SAVE 30¢ DEL MONTE TOMATO CATSUP

69¢

THRIFTY MAID Whole or Sliced WHITE POTATOES

4 For \$1

Super Special SAVE 40¢ STYLE HAIR SPRAY 8-OUNCE

59¢

Harvest Fresh U.S. No. 1 Green Cabbage 3 Heads **99¢**
 Harvest Fresh Bulk New Red Potatoes 4 lbs. **99¢**
 Harvest Fresh Ky. Pole Beans **59¢**
 Harvest Fresh Golden Carrots 2-lb. Bag **39¢**
 Harvest Fresh Navel Oranges 3 lbs. **99¢**
 Harvest Fresh Ruby Red Grapefruit 3 For **99¢**
 Harvest Fresh U.S. No. 1 Russet Potatoes 5-lb. Bag **69¢**
 Harvest Fresh U.S. No. 1 Russet Potatoes 10-lb. Bag **\$1.19**
 Harvest Fresh U.S. No. 1 Bulk Yellow Onions **19¢**
 Harvest Fresh U.S. No. 1 Yellow Onions 2-lb. Bag **59¢**
 Superbrand Pure Orange Juice Half Gall. **\$1.39**

CARNATION LIQUID SLENDER

2 89¢

FRISKIES ASST. CAT FOOD

3 89¢

DISINFECTANT SPRAY LYSOL

\$1.99

SAVE 70¢ GILLETTE TRAC II CARTRIDGE

\$2.19

SAVE 60¢ EX-STRENGTH TYLENOL TABLETS

\$1.99

SAVE 50¢ DEODORANT BAN ROLL-ON

99¢

- CROWLEY: 430 Crowley Square
- DE SOTO: 719 N. Harrison Rd.
- DUNCANVILLE: 762 W. Wheatland
- DENTON: 1802 Alice & University
- EVERMAN: 900 Everman Parkway
- GARLAND: 6505 Duck Creek Blvd.
- GRAND PRAIRIE: 1807 Center Parkway
- GRANBURY: 1401 S. Morgan
- GRAPESVINE: 613 Main
- HURST: 740 W. Pipe Line Rd.
- IRVING: 200 S. Jefferson
- JACKSONVILLE: 1615 S. Jackson
- KENNESAW: 106 W. Mansfield Hwy.
- KILLEEN: 1065 Eastman Road
- LAMPASAS: 401 Plum Street
- MANSFIELD: 1200 E. Broad Street
- MINERAL WELLS: 2800 East Hubbard
- NACOGDOCHES: 1112 North Street
- PANTIGO: 2423 West Park Row
- STEPHENVILLE: 2133 Washington Blvd.
- THE COLONY: 2301 S. Colony Blvd.
- WEATHERFORD: 425 W. Palo Pinto St.
- PLANO: 915 Parker Rd.
- RICHARDSON: 2108 E. Arapahoe
- N. RICHLAND HILLS: 6300 Rufe Snow

Big Spring Herald

REAL ESTATE PAGE

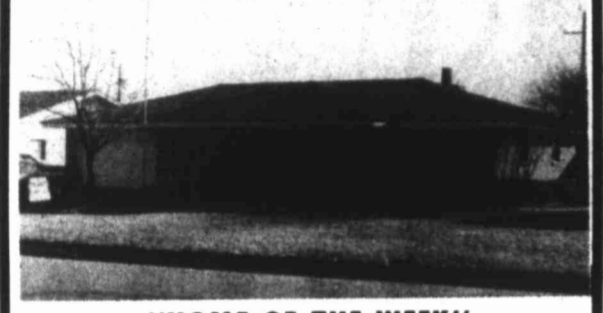
6-B Big Spring (Texas) Herald, Wed., March 26, 1980

HOME

REALTORS APPRAISERS
263-4663 • Coronado Plaza • 263-1741
JEFF & SUE BROWN — BROKERS — MLS

OFFICE HOURS: MON THRU SAT — 9 TO 5
Virginia Turner 263-2198 Lee Hans 267-5019
Koleta Carlisle 263-2588 Connie Garrison 263-2858
Kay Moore 263-6514 Maria Faulkner 263-4963
Sue Brown 267-6230 LaRue Lovelace

O.T. Brewster — Commercial
Appraisals — Free Market Analysis — Warranties



"HOME OF THE WEEK"

4061 VICKY

PERFECTION FOR THE PARTICULAR — Unquestionable elegance, luxury and impressive comfort in one of Big Spring's most prestigious locations. Large family room with fireplace plus formal dining, 3 bedrooms, 2 baths. Upper 80's.

9% INTEREST — Highland South. Assume loan by April 1 for 9% interest. 4 bedrooms, 2 baths. Everything you need for elegant living. Upper 70's.

NEW AND DIFFERENT — Is the word for this brand new home. Master bedroom overlooks atrium in the center of the home. Den also looks out to atrium. Glass covers top portion of the atrium. One of a kind \$64,000.

DO YOU NEED SPACE — This huge 4 bedroom in Kentwood is the answer. Has both formal living and huge family room. Massive master split bedroom arrangement. Very tastefully decorated. Lovely drive up appeal. Owner is transferred and ready to sell.

KENTWOOD RANCH — This family home with two living areas, completely redecorated including new carpet, new dishwasher, new air conditioner, heat system. All for \$58,900.

ALMOST NEW — and owner hates to leave this very pretty family home with atrium look breakfast area. Cozy den with fireplace. Mirrored closet doors in bedrooms. Huge utility room and the many other good things in this energy-efficient home. Interest rate is low and can be assumed at 9% rate until April 1. \$58,500.

NEW LISTING — One of our best neighborhoods. Total brick, 3 bedrooms, 2 baths, on Vicky Street. Formal entry leads to warm inviting family room with wood-burning fireplace and a total backseat wall. Large windows overlook patio. Master bedroom wing has large closets and bath. Golf course adjoins the back lot. Priced at \$51,900.

KENTWOOD — Refrigerated air will keep you cool in the 4-bedroom, 2-bath brick this summer. Lots of space including two living areas. Split master bedroom. Beautiful back yard and patio for summer fun — plus a double garage and only \$47,900.

SURPRISINGLY REASONABLE when you consider the facts: brick 4 bedroom, 1 1/2 bath in top condition. Mid 40's.

CHARMER — Very attractive older home located near College and shopping area. Three bedrooms, 2 baths, excellent condition concrete-tile fence, covered patio. Owner will consider some 2nd-year financing. \$39,900.

OWNER WILL CARRY SIDE NOTE — Up to \$5,000 on this spacious, attractive home. 4 bedrooms, 2 1/2 baths. Fenced yard with green-house. \$38,000.

SPLIT LEVEL — The focal point in this home is the large den on the lower level. Upstairs area has formal living kitchen, and outside deck overlooking city and canyon. Owner will finance the entire loan on this home. \$37,900.

9% INTEREST — KENTWOOD — FHA 9% interest will not escalate. 3 bedrooms, 2 baths, redecorated. \$34,900.

CONVENIENCE AND CHARM — Lovely 3-bedroom, 2-bath brick near shopping center, schools, and churches. \$34,000.

THE HANDY MAN has already been here and he did a fantastic job of redecorating this 3-bedroom, 1 1/2-bath home. Huge backyard, quiet neighborhood. Mid 30's.

TREES—TREES—TREES — on the front lawn of this home shade the entire area. New carpet in this 3-bedroom, 1-bath brick on quiet cul-de-sac street. Complete new bathroom. Large family room, and nice kitchen. Can be assumed with no escalation of interest until April 1. \$29,500.

ASSUMABLE FHA LOAN — No escalation of interest rate on this adorable cottage. 3 bedrooms, 2 baths. At a total cost of only \$25,500.

YOU MUST SEE — this adorable 2-bedroom home. New carpet, new paint. \$16,500.

TAX PROBLEMS? There is a 3-bedroom, 1-bath home in the mid-teens that could be your answer. Mid-teens.

WE STILL HAVE SOME PROPERTIES WE CAN SELL FOR 10% INTEREST HURRY TO BUY THESE HOMES BEFORE THE INTEREST RATE GOES UP.

Castle Homes Former Air Base housing open house daily at 2622 Albrook. Price range starts at \$20,950.

La Casa REALTY 263-1166 263-8497
DIXIE JEANNE HALL 7-1474
3-1464

REAL ESTATE A
Houses For Sale A-2
HOUSE FOR SALE: \$5,900 equity, take over payments of \$194 month. Call 267-5861.

AREA ONE REALTY

267-8296 1512 Scurry 267-1032

Pat Medley, Broker, GRI 263-3274
Ruby Hones 263-3888
Doris Millstead 263-3888
Gail Meyers 267-3183
Bob Spears 263-4884

Laverne Gary, Broker 263-2373
Don Yates 263-2373
Dolores Cannon 267-2418
Harvey Rothell 263-0940
Lanette Miller 263-3689

OUR NEW LISTINGS
TWO-LEVEL Spacious family home. 5 bdrm 2 1/2 bath. Quiet & Private Loc in Edward Hts. Beautiful view. Many extras. Call for details. 90's.
SOUTHWEST of town. 300 Acres. Good cultivated farmland. Close to town. On Payment. \$833. acre. Some financing.
ROCKHOUSE BR. Brick home on 8 acres. 3 bdrm 1 1/2 bath. On Payment 5 mi from town. Strong water. \$47,500.

REDUCED GREAT ASSUMPTIONS!!
* \$111 DREXEL. Assume 9% int. \$5600 equity. Special 3 bdrm 1 1/2 bath, plus den. Rec. insulated. \$36,000.
* 600 W. 16th. Assume 9% int. before April 1. \$212 mo. pmnt. 2 bdrm plus den. Huge utility. 20's.

OWNER FINANCE
2103 Morrison — Owner carry 2nd lien up to \$10,000. Assume 9% int. Improved. pos. Redec. & rec. install ref. air & heat.
1606 Keenaday Way — Rec. ins. tiled. In-law. priced. nice spec. kit cabinets. Gar. \$400 down. 10% int.

KENTWOOD SPECIALS
2717 CABOL — Split bdrm arrangement 3 bdrm 2 bath home w/new paint corner lot. Extra spec. \$50,000 Dbl. gar.
2710 CABOL — Immed. poss. 3 bdrm 2 bath dg. den & liv. nice & roomy. rec. install, heating & ref. unit. \$45,500.

2505 Carol — A "great" rm w/frpl (28x19) 4 bdrm 2 bath util. nice & 2603 Lerry — Pretty inside & out w/new paint & crt. 3 bdrm 1 1/2 bath plus den, lge util rm, oven range, disp. App.F.F. \$37,000.
2612 Lynn — Charm & very clean, 3 bdrm 1 1/2 bath brick extra lge. liv. den.

Highland Dr — Spacious family home. Large rooms. Formal liv. dining rms. lge sun room. Lrvy 2. 90's.
Galled Dr — Charming 3 bdrm 2 bath home w-2 frpl. Step down lvr rm, well arranged & decor. Swimming pool.
Western Hills — Spacious rooms & fireplace fl in entry & den & kit in this liv brk on Apache. Total Elec. Garden rm & office.
Cactus St. — Rm for lge farm, 4 bdrm 2 bath, form din, den, frpl, big utility Rec. int. heating. Lge yd. \$59,500.

GREAT BUYS
Muir St. — Super nice 3 bdrm 1 1/2 bath, rec. install ref air & cent. heat. Assume 8 1/2% int. Garage, fenced. \$30,000.
3708 Calvin — Assume 9% int. rate w-low equity. Immaculate 3 bdrm brk w-cent. heat & ref. air rec. install. \$31 shed.
400 Westover — 2 bdrm 1 1/2 bath, corner lot, 3 carports plus gar. fenced, storm cellar. \$27,500.

502 W. 8th — Well kept stucco, 2 bdrm. Very clean teens.
State St. — Pretty cprt & nice kit w-break bar & stove. Det. gar. \$10,000.
Houses to Move — 2 duplex units, house, gar. All for \$18,000.

OUTSIDE CITY
No. of town — 5 min dr. 3 bdrm 2 bath brk on 1/4 ac. Lo 40's.
Forsan Sch. Dist. — Carl St. 3 bdrm 3 bath, cottage in bk, stg bldg. Nice fenced. \$35,000.
N. Moss Creek Rd. — Part fin. house, livable bmnt. Owner finance.
Garden City St. — 1875 acs w-frame 3 bdrm house. Irrigation water. Owner finance.

WASSON RD. — Nice 3 bdrm 1 1/2 bath. Forsan School Dist. 2 wkprhs. Lge lot-patio & trees. Lo 30's. Assume loan at 8 1/2%.

COMP. BLDG. on Lancaster & Bell \$77,500
CHURCH BLDG. corner lot W. 4th. \$37,500.
LANCASTER ST. Corn lot. Excellent comm. \$15,000.
LOTT HIGHLAND RD. No. 3. Bennett Circle. Make offer.
SOUTHWEST. \$7.10 ac. 20. 9000 ac. 40. cdt. for \$750 per ac.
YUBA AVE. 10 ac. 20. tracts available.

TODD & GLOVEY RD. So. of town. 40 ac.
BIRDWELL LANE nr. FM 700. Good comm. loc.
N. GREGG Complete blk w sev. bldgs. Excell comm. Lge. Triangular bldg. also on complete blk. on N. Gregg.
NO. LANCASTER 2 lots w. lge. bldg. (Grocery w. good income) \$50,000.

CAPEHART ADDITION — PHASE II NOW
All types financing!! Let us show you these homes.

MCDONALD REALTY 263-7418
PARKHILL executive home, 3 br 2 bath brick, massive fireplace in a neighborhood continuously closed by discerning buyers for its fine homes, pretty streets, drives, & good neighbors.

COUNTRY LANE-SAND SPRINGS Turn down quiet country lane to a cute & pretty 3 br 2 bath, new carpet, & view of historic signal mountain. \$31,900. Callhams School.

HELLO HOMEOWNERS!!!!!! We recommend this 3 br for your looking. Handy to churches, shopping. So sunny & cheerful. Includes transferring owner pride & care. Huge pecan trees shade tile fenced backyard hide-a-way. Perfect for seclusion-entertaining. \$30,000. Formal din rm, garage, wk shop-stg.

EVERYONE WANTS MORE HOME for todays money. This impressive brick, 3 br 2 bath, rambler, with refrig air priced under \$35,000.00 sure fits that category. Formal din rm, den, fireplace covered patio, unfinished back yd opt. or fin.

FORSAK-COUNTRY No down to veterans — 3 br 2 bath — Freedom of country. Convenience of nearness to town. \$22,000.

Lee Long 263-3714 Dean Johnson 263-1937
Mary Franklin 267-4292 Sue Bradbury 263-7537
Ray Hillbrunner 267-8875 Peggy Marshall 267-4765

Castle Realtors 263-8251
EXTRAORDINARY DESIGN ranch home on 20 acres open, beamed ceiling, 2 frps 3 BR 2 B. fenced.

LAST OF IT'S KIND, reasonable priced duplex garage, 2 bdrms, 2 baths, 2 car garage. A GOOD STARTER home on Pine. Make an offer.

GREGG STREET Excellent location w-newly decorated bldg. corner lot w-parking. GREGG ST. Large office bldg. w-warehouse.

INVEST IN LAND, FM 700 excellent location appraisal price.

Houses For Sale A-2
EQUITY BUY: \$5,000 equity, \$143 month payments. Three bedroom house in Colleton. Close to school, fenced backyard. Call 263-5388.

BUY THIS AND SAVE INTEREST 2 large bedrooms, 1-bath, fenced yard, refrigerated air, central heat, with or without 4'x24' swimming pool. Asking \$28,500. See at 404 N. First, Conhams. 394-4529 or 394-4437

HIGHLAND SOUTH EXTRA — 9% INTEREST. If you assume loan by APRIL. — Price lowered to \$78,900. — 4 bdrm, 2 bath, den w/frpl. — New appliances, redecorated. HOME REALTY 263-4663

BRICK HOME ON 8 ACRES
1300 sq. ft., 1 1/2 bath, good water, 5 miles, paved road.
Area One Realty
Bob Spears 267-6296
Home 263-4884

Century 21

WE'RE THE NEIGHBORHOOD PROFESSIONALS.

SPRING CITY REALTY 300 W. 9th 263-8402
NEED TO SELL? Call us for a free Market Analysis and cost estimate sheet. We're Here For You.

Joyce Sanders 267-7835 Barbara Supak 267-3323
Edwin Bodnar 267-2900 Melba Jackson 263-3629
Reba Moss 263-2088 Walt Shaw 263-2919

Office Hours: 8:30 to 6:00 Monday thru Saturday
COAHOMA 4 BDRM — 3 ba home. 20x20 mstr bdrm with huge walk in closets, lovely kid-dining room. CITY location. Call 263-1032.

LOW INTEREST FHA 6% LOAN will stay with this elegant home on Carol St. Lrg mstr bdrm, loads of closet sp. All built ins incl smooth top range, ref air, dbl gar, beautiful grounds. \$59,500.

MINI-FARM 12 acres in cultivation, orchard, 3 wells, 4 bdrm home with alum siding, huge kit, dining, liv rm combo. Coahoma schools. Reduced to \$57,000.

A BEAUTY — Forsan schools, 3 bdrm, 2 ba, huge combo dining with fireplace. Lrg mstr bdrm with walk in closet and pretty dressing area. Dbl gar. \$55,000.

KENTWOOD — 4 bdrm with formal dining, fireplace in den, ref air, dbl gar, patio, new roof. Bargain at \$52,900.

LOT OF SPACE IN PARKHILL at a budget! Call 1900 sq. ft. under roof, fireplace, din-din lvr rms, 2 baths, enclosed sun room, pretty back yard with block fence, gar & workshop. \$56,900.

A GENTLEMAN FARMER needs this 7 acres with older, comfortable home, huge orchard, good soil and water, fall-out shelter, Garden City Schools.
MAKE AN EQUITY OFFER on this sparkling neat and clean 2 bath home in North Parkhill. Ref air, new eq/phone carpet, lrg kit dining, patio, nice fenced yd. \$30's.

LOW MAINTENANCE on this beautifully maintained home with huge rooms, fully carpeted, gar. fenced yard. Bauer School. \$52,000.

PARKHILL on Canyon Dr. A cute stucco with 3 bdrms separate dining rm, pretty kitchen, garage, storm windows, fenced yard. \$29,500.

A SUPERB 1715 sq. ft. rambler when this sold 3 bdrms home has top construction. New cent heat sys, nice carpeting, spacious kit, lrg dbl gar with enclosed shop area. Tile floors. Owner will finance. \$29,500.

FORSAK 3 bdr 2 ba home sets on 4 lots, fenced yd, fruit trees. LOW EQUITY \$16,500.

NIFTY 5 room home on North Johnson. Neat and clean with carpet, covered porch, 2 car garage, 2nd floor laundry. COMMERCIAL on Gregg St. 50 ft frontage with care and two houses. \$45,000.

BUSINESS OPPORTUNITY in Sand Springs with super location. Plumbing & lrg appliance supply. Buy the lvr. Owner will carry bal. \$26,000.

ACREAGE
FM700 — 2175 acres north of city. \$12,200.
SILVER HELLS — We have several tracts from 10 to 58 acres.

Each office is independently owned and operated. Equal Housing Opportunity.

NOVA DEAN RHODS

Independent Brokers Off. 263-2450 Eva Churchwell 800 Lancaster 263-4008

SPRING IS EARLY — So don't be late for this 1/2 acre in garden, fruit trees, 2-water wells. Fill your freezer now. Enjoy this atr, 3-b-home. Many extras & top location.

NEED A START? — Lge 2-bm economy home. Fully crptd. R-air, gar-carpit, quick possession. Mid teens.

SUMMERS A COMING! — You can enjoy this spacious immac. 3 br. 2-b home. Crpl., drapes, den. kit, cut utility, with storm windows. Priced to sell. Wash area.

HANDY MAN? — come in & put your touch to this 2-bm, 2-b bath, 2-b car garage. 47' paved carport. Could have 2 houses facing side. Close to school. \$2100 cash down, assume 2 loans.

SEE FOR YOURSELF — This yr you'll agree there's more for your \$5 in this 3-br., red brick, ref. air, gas log pit. Price \$24,900. Call 263-1457. Near all schs. LA 28's.

TOP VALUE — Thru-out this pretty 2 bdrm, home. Easy terms. There is prestige in ownership!!

Marie Rowland REALTOR 263-2591
RUFUS ROWLAND 3-0321 MARIE ROWLAND 3-2591
DOROTHY JONES 7-1284 TRILMA MONTGOMERY 7-8754
Let us show you Base housing; brick 3 bedroom / 0 baths ref. a-h, stove, ref., dishwasher, large living dining rooms carpet, storage; all kinds of financing 10% interest available NOW!!!

A GREAT PLACE TO THE PLACE FOR ACTIVE PEOPLE
3 BR 1 1/2 Brg liv, built in kit oversized yard fenced, water extra storage great assumption.
THE KITCHEN SAYS IT ALL
In this lovely decorated 3 BR 2 B 2 car gar 2 1/2 acres 2 city fenced, huge covered patio nice landscaping see to appreciate.

THIS IS IT! — Large fenced yard nice carpet, fresh paint inside and out FHA or VA.
WIDE OPEN SPACES! — 1800 sq. ft. 3 BR 1 B garage 1 acre lrg tree open finance needs paint inside and out.
HIT THE JACKPOT — 2 br 1 sale 2 BR brick with arched large dining area with tender loving care repairs and finance \$5000 down.

Mobile Homes A-12
MUST SELL. Will sacrifice loss on three lake lots at Thunderbay Bay on Brownwood Lake. Call 263-1457 after 5:00 p.m. weekdays, anytime weekends.

Farms & Ranches A-5
100 ACRES HUNTING COUNTRY, \$645 down payment, \$141.92 per month. Big deer, javeline and quail. Call owner after 5:00 p.m. weekdays or weekends. 1-800-292-7420.

Acres For Sale A-6
\$4,350. ONE ACRE, with work shop, good water well, septic tank. Ready for mobile home. Home owner will finance. \$15,363.157.
1 1/2 ACRES WITH 30'x35' garage with 2 1/2' doors, good water well, pad for 2 mobile homes, 2 septic systems, butane tank, corner. \$10,500. Call 263-8172 or 694-8726 Midland.

REEDER REALTORS

MLS 506 E. 4th R
267-8266 267-1252 267-8377

OFFICE HOURS MON.-FRI. 9 A.M.-5 P.M. SATURDAY 9 A.M.-5 P.M.
ERA REAL ESTATE PROFESSIONALS
After hours call

Lila Estes, Broker 267-6657
Bill Estes, Broker 267-6657
Janelle Britton 263-8892
Janne Beasley 263-2816
Duh Clinton 263-7070
Patti Horton 263-2742
Denny Farris 267-6850
Janell Davis 267-2856

Appraisals — Free Market Analysis — ERA Warranties

REVIEW OF OUR WINNERS
The Stage is set on 5 wooded ac in this 2 story, 4-1/2, bdrm, 2 1/2 bath, frmts, sundeck & pool. ERA Warranty. \$72,500.

A Super Star! Super-size 4-3 on ac, water well, spr krs, multi-car stor, new crpt-all the extras. ERA Warranty. 100's.
Academy Award Winner! Elegant 3-2-2 bdrm, less than 1 yr old warm earthtones, frmts, den, dbl frpl, sunny kit & brk nook, lge util, office & gd water well on 1/2 ac. ERA Warranty. 100's.

On Locustville — beautiful brk hm & 2 rentals too, on Dallas, frpl, bit in kit, 1 1/2 bath, 2 car stor. Possible prop exch. 70's.
A Leading Lady will love this Coronado 3-2-2 bdrm, frml liv, den w/frpl, push button lift & brk paper. ERA Warranty. 100's.
Your Leading Man will love the heated pool in this lovely home in Indian Hills-frpl in lge liv area. Sixties.

Parkhill Pick! Brk hm w charm, lots of glass & quiet, idscpd patio. ERA Warranty. 60's.
Premier — Less than 1 yr old, Lrvy 2 bdr, 2 bath, dbl gar, bit in kit, cvrd patio. Kentwood. ERA Warranty. 60's.
The Set is Perfect! — 3-2-2 brk on Vicky, den, frpl, spr krs, patio & big trees. ERA Warranty. Appraised — 50's.

New Hit in Town! Appealing 3-2 brk hm, den w crnr frpl & charming garden wall patio. ERA Warranty. 50's.
Heaven Can Wait while you enjoy this 3-2 brk w/ den w cathedral ceiling, spr liv area w frpl, bit in kit. ERA Warranty. 40's.

A Budding Star! New construction, brk, 3-2, frpl, dbl crpt. Mid 40's.
Join the Cast of Homeowner for no dn. 3-bd 2 bath brk w lvr rms, liv rm w beamed ceiling & frpl. ERA Warranty. 30's.

A Show Stopper! Neat 3-2 Kentwood brk hm. Exc condition & plush crpt. ERA Warranty. 30's.
Fans will line up for this super buy in Kentwood. 3-2 brk, lge kit-den, beaut patio, sprktrs. Reduced to 29,500. ERA Warranty.

A Box Office Hit! 3 w sep liv & din, frpl, bit in kit, crpt, 1 blk frsch. FHA appraised — 30's.
Take Action fast on this new Kentwood listing. Very pretty decor, 3-bd-2-bath, nice yd. Mid 30's.
Feature this 3 bdrm, 2 bath, very large rooms, new carpet, den, formal dining. See today. ERA Warranty. 30's.

Realty's nicest 3-2 bdrm brk hm w frpl, bit in kit, ref air, dr, nrm & idscpd patio. ERA Warranty. 40's.
Open Setting! — Lrvy 3-2-2 brk hm w open den & crnr frpl, bit in kit, frml liv & util rm. ERA Warranty. 20's.
A Stunning Room for the lgr rms in this 3-bd-2-bth, lge den, bit in kit, frml liv & util rm. ERA Warranty. 20's.
Roll 'Em! Close in 3-2 hm w lge liv area. Low 20's. First Fed appraised.

Twice as nice — Meas as a pin duplex, nr shopping, 1-1-1 ac side, dbl gar. ERA Warranty. 20's.
Special Effects! Plush crpt, ivy brk cabinets, sep util in this 3rd brk hm. ERA Warranty. Lrvy 30's.
Realty's nicest 3-2 bdrm brk hm w frpl, bit in kit, ref air, dr, nrm & idscpd patio. ERA Warranty. 40's.
A Stunning Room for the lgr rms in this 3-bd-2-bth, lge den, bit in kit, frml liv & util rm. ERA Warranty. 20's.
Roll 'Em! Close in 3-2 hm w lge liv area. Low 20's. First Fed appraised.

Twice as nice — Meas as a pin duplex, nr shopping, 1-1-1 ac side, dbl gar. ERA Warranty. 20's.
Special Effects! Plush crpt, ivy brk cabinets, sep util in this 3rd brk hm. ERA Warranty. Lrvy 30's.
Realty's nicest 3-2 bdrm brk hm w frpl, bit in kit, ref air, dr, nrm & idscpd patio. ERA Warranty. 40's.
A Stunning Room for the lgr rms in this 3-bd-2-bth, lge den, bit in kit, frml liv & util rm. ERA Warranty. 20's.
Roll 'Em! Close in 3-2 hm w lge liv area. Low 20's. First Fed appraised.

Twice as nice — Meas as a pin duplex, nr shopping, 1-1-1 ac side, dbl gar. ERA Warranty. 20's.
Special Effects! Plush crpt, ivy brk cabinets, sep util in this 3rd brk hm. ERA Warranty. Lrvy 30's.
Realty's nicest 3-2 bdrm brk hm w frpl, bit in kit, ref air, dr, nrm & idscpd patio. ERA Warranty. 40's.
A Stunning Room for the lgr rms in this 3-bd-2-bth, lge den, bit in kit, frml liv & util rm. ERA Warranty. 20's.
Roll 'Em! Close in 3-2 hm w lge liv area. Low 20's. First Fed appraised.

Twice as nice — Meas as a pin duplex, nr shopping, 1-1-1 ac side, dbl gar. ERA Warranty. 20's.
Special Effects! Plush crpt, ivy brk cabinets, sep util in this 3rd brk hm. ERA Warranty. Lrvy 30's.
Realty's nicest 3-2 bdrm brk hm w frpl, bit in kit, ref air, dr, nrm & idscpd patio. ERA Warranty. 40's.
A Stunning Room for the lgr rms in this 3-bd-2-bth, lge den, bit in kit, frml liv & util rm. ERA Warranty. 20's.
Roll 'Em! Close in 3-2 hm w lge liv area. Low 20's. First Fed appraised.

Twice as nice — Meas as a pin duplex, nr shopping, 1-1-1 ac side, dbl gar. ERA Warranty. 20's.
Special Effects! Plush crpt, ivy brk cabinets, sep util in this 3rd brk hm. ERA Warranty. Lrvy 30's.
Realty's nicest 3-2 bdrm brk hm w frpl, bit in kit, ref air, dr, nrm & idscpd patio. ERA Warranty. 40's.
A Stunning Room for the lgr rms in this 3-bd-2-bth, lge den, bit in kit, frml liv & util rm. ERA Warranty. 20's.
Roll 'Em! Close in 3-2 hm w lge liv area. Low 20's. First Fed appraised.

Twice as nice — Meas as a pin duplex, nr shopping, 1-1-1 ac side, dbl gar. ERA Warranty. 20's.
Special Effects! Plush crpt, ivy brk cabinets, sep util in this 3rd brk hm. ERA Warranty. Lrvy 30's.
Realty's nicest 3-2 bdrm brk hm w frpl, bit in kit, ref air, dr, nrm & idscpd patio. ERA Warranty. 40's.
A Stunning Room for the lgr rms in this 3-bd-2-bth, lge den, bit in kit, frml liv & util rm. ERA Warranty. 20's.
Roll 'Em! Close in 3-2 hm w lge liv area. Low 20's. First Fed appraised.

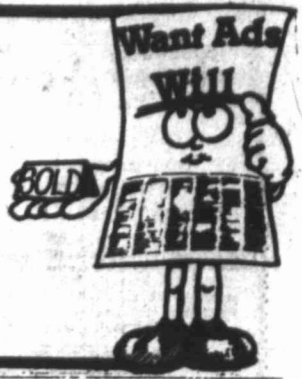
Twice as nice — Meas as a pin duplex, nr shopping, 1-1-1 ac side, dbl gar. ERA Warranty. 20's.
Special Effects! Plush crpt, ivy brk cabinets, sep util in this 3rd brk hm. ERA Warranty. Lrvy 30's.
Realty's nicest 3-2 bdrm brk hm w frpl, bit in kit, ref air, dr, nrm & idscpd patio. ERA Warranty. 40's.
A Stunning Room for the lgr rms in this 3-bd-2-bth, lge den, bit in kit, frml liv & util rm. ERA Warranty. 20's.
Roll 'Em! Close in 3-2 hm w lge liv area. Low 20's. First Fed appraised.

Twice as nice — Meas as

In Today. Sold Tomorrow! Phone 263-7331

Want Ads Will Get RESULTS!

Big Spring (Texas) Herald, Wed., March 26, 1980 7-B



Special Notices C-2

\$5,000 REWARD

\$5,000 total reward will be paid for information leading to the arrest and conviction of person or persons involved in theft and unauthorized sale of tractor weights from Taylor Foundry Company. Any person having this information who has purchased stolen tractor weights in good faith need not be concerned about losing the tractor weights. Transaction would not be backed or covered by our standard computer printed invoice. For further information contact: Taylor Foundry Co., P.O. Box 245, Wichita Falls, Texas 76097. This reward shall expire September 1, 1980. 817-747-8541

Lost & Found C-4

\$50 REWARD - FOR the return of child's favorite playmate. Small black toy poodle, blue collar. Lost in vicinity of Wesson Addition. Please call 263-4863 or 263-1125 - No Questions.

Personal C-5

MOTHER HOPE Palm Reader, and Advisor. Advising on all problems of life. There is no problem so great, she can not solve. Do not confuse her with other readers. Speaks Spanish and English. 512 E. 3rd. Colorado City. Look for her signs. \$5.00 readings with this coupon.

MISS DIANE - Palm Reader. Consultant. Advise on all problems. 267-6423, 1505 West 4th Street.

SISTER RUTH, Spiritual Reader and advisor. Will help with all problems. 728-5416, 348 N. Chabourn, San Angelo.

WHO'S WHO FOR SERVICE

To list your service in Who's Who Call 263-7331

Appliances Repair

WE WORK on all major household appliances, also heating and air conditioning units. All work guaranteed. Call 267-2411, after 5:00 - 263-7392.

EVAPORATIVE AIR Conditioner Service and repair. H.L. Williams 263-3753.

Concrete work

JOHNNY & PAUL Concrete contractors. Tilt fence, plaster. 262-7236, 263-3753.

CEMENT WORK: No job too large or too small. After 5:30: 263-4491 - 263-4579. B & B Cement Company, J.C. Burck.

VENTURA CO. Concrete Construction. All types of concrete work - Block fences - Slabs - Plaster. Phone 267-2455.

Janitor Service

BAR ENTERPRISES - For any cleaning job, Residential or Commercial. Call 263-4987.

Construction

WHITESIDES DOZER, will do any type dirt work. Call W.D. Whitesides at 446-2111 or 446-2811.

REPAIRS-ADDITIONS-REMODELING Complete Professional Work References LES WILSON CONSTRUCTION 267-3355

Floor Covering

WHITSON'S FLOOR Covering, Cove, Vinyl, and VA Tile. Installation Specialist. Free estimate. Call 263-2482.

DAY AND NIGHT carpet cleaning, commercial and residential. Call 267-4851 or 267-3734.

Painting-Papering

GAMBLE-PARTLOW Painting Contractors. Interior and exterior - dry wall - painting - sculptural. Free estimates. Satisfaction guaranteed. Michel Gamble, 263-8594 - Dickie Partlow, 263-4995.

CALVIN MILLER - Painting - Interior, Exterior. Accessible 263-1194/1195 East 13th.

INTERIOR AND EXTERIOR painting, mud work, spray painting, house repairs. Free estimate. Joe Gomez, 267-7831.

Remodeling

R.S. FINISHING - Panelling - Cabinets - Remodeling - Repairs. Store Fixtures - References. Ronnie Beard, 263-7827, 267-0764.

J.S.A. REMODELING, Complete remodeling, cabinet work. References - Free Estimates. 263-3392 after 5:00, 267-1789.

Septic Systems

GARY BELEW CONSTRUCTION, Quality Septic Systems, Backhoe, Ditcher, Dump Truck, Yard, Dirt, Driveways Graveled. 293-2524, or Arvie, 293-3271.

Vacuum Cleaner Service

ELECTROLUX VACUUM Cleaners, Sales, Service and Repairs. Ralph Walker 267-9778.

Yard Work

MOW, EDGE, TRIM shrubs, tree removal, any yard work. Call 267-8771 or 267-2456. Hughes 263-4429, Buford Howell.

INDEPENDENT TRASH and clean up. Business and Residential. Free estimates. Free hauling off tree limbs, etc. Call 267-8823.

YARD DIRT, red clay sand, fill-in dirt, 263-1293, if no answer call before 10:00 or after 5:00.

LAWLS FLOWER beds, gardens, tree trimming. By job or contract. BAR Enterprises, 263-3677.

30 YEARS EXPERIENCED PRUNING, moving, grass and landscaping. Free estimates. Call 263-1879.

NEED GRASS Mowed or sodded? Call 263-4897.

Remodeling

R.S. FINISHING - Panelling - Cabinets - Remodeling - Repairs. Store Fixtures - References. Ronnie Beard, 263-7827, 267-0764.

J.S.A. REMODELING, Complete remodeling, cabinet work. References - Free Estimates. 263-3392 after 5:00, 267-1789.

Septic Systems

GARY BELEW CONSTRUCTION, Quality Septic Systems, Backhoe, Ditcher, Dump Truck, Yard, Dirt, Driveways Graveled. 293-2524, or Arvie, 293-3271.

Vacuum Cleaner Service

ELECTROLUX VACUUM Cleaners, Sales, Service and Repairs. Ralph Walker 267-9778.

Yard Work

MOW, EDGE, TRIM shrubs, tree removal, any yard work. Call 267-8771 or 267-2456. Hughes 263-4429, Buford Howell.

INDEPENDENT TRASH and clean up. Business and Residential. Free estimates. Free hauling off tree limbs, etc. Call 267-8823.

YARD DIRT, red clay sand, fill-in dirt, 263-1293, if no answer call before 10:00 or after 5:00.

LAWLS FLOWER beds, gardens, tree trimming. By job or contract. BAR Enterprises, 263-3677.

30 YEARS EXPERIENCED PRUNING, moving, grass and landscaping. Free estimates. Call 263-1879.

NEED GRASS Mowed or sodded? Call 263-4897.

Remodeling

R.S. FINISHING - Panelling - Cabinets - Remodeling - Repairs. Store Fixtures - References. Ronnie Beard, 263-7827, 267-0764.

J.S.A. REMODELING, Complete remodeling, cabinet work. References - Free Estimates. 263-3392 after 5:00, 267-1789.

Septic Systems

GARY BELEW CONSTRUCTION, Quality Septic Systems, Backhoe, Ditcher, Dump Truck, Yard, Dirt, Driveways Graveled. 293-2524, or Arvie, 293-3271.

Vacuum Cleaner Service

ELECTROLUX VACUUM Cleaners, Sales, Service and Repairs. Ralph Walker 267-9778.

Yard Work

MOW, EDGE, TRIM shrubs, tree removal, any yard work. Call 267-8771 or 267-2456. Hughes 263-4429, Buford Howell.

INDEPENDENT TRASH and clean up. Business and Residential. Free estimates. Free hauling off tree limbs, etc. Call 267-8823.

YARD DIRT, red clay sand, fill-in dirt, 263-1293, if no answer call before 10:00 or after 5:00.

LAWLS FLOWER beds, gardens, tree trimming. By job or contract. BAR Enterprises, 263-3677.

30 YEARS EXPERIENCED PRUNING, moving, grass and landscaping. Free estimates. Call 263-1879.

NEED GRASS Mowed or sodded? Call 263-4897.

Remodeling

R.S. FINISHING - Panelling - Cabinets - Remodeling - Repairs. Store Fixtures - References. Ronnie Beard, 263-7827, 267-0764.

J.S.A. REMODELING, Complete remodeling, cabinet work. References - Free Estimates. 263-3392 after 5:00, 267-1789.

Septic Systems

GARY BELEW CONSTRUCTION, Quality Septic Systems, Backhoe, Ditcher, Dump Truck, Yard, Dirt, Driveways Graveled. 293-2524, or Arvie, 293-3271.

Vacuum Cleaner Service

ELECTROLUX VACUUM Cleaners, Sales, Service and Repairs. Ralph Walker 267-9778.

Yard Work

MOW, EDGE, TRIM shrubs, tree removal, any yard work. Call 267-8771 or 267-2456. Hughes 263-4429, Buford Howell.

INDEPENDENT TRASH and clean up. Business and Residential. Free estimates. Free hauling off tree limbs, etc. Call 267-8823.

YARD DIRT, red clay sand, fill-in dirt, 263-1293, if no answer call before 10:00 or after 5:00.

LAWLS FLOWER beds, gardens, tree trimming. By job or contract. BAR Enterprises, 263-3677.

30 YEARS EXPERIENCED PRUNING, moving, grass and landscaping. Free estimates. Call 263-1879.

NEED GRASS Mowed or sodded? Call 263-4897.

POLITICAL ANNOUNCEMENT

DEMOCRATS

The Herald is authorized to announce the following candidates for public office subject to the Democratic Primary of May 2, 1980.

Congressman 17th Congressional District
Charles Stenholm
Pol. Adv. pd. for by the Stenholm for Congress Committee, Charles Brownfield, Texas, Box 1022, Stenholm, TX 79553.

State Representative 63rd District
Mike Ezell
Pol. Adv. pd. for by Mike Ezell

Larry Don Shaw
Pol. Adv. pd. for by Larry Don Shaw

Howard County Attorney
Fred Coleman
Pol. Adv. pd. for by Fred Coleman

Howard County Commissioner
Pct. 1
Bruce Parker
Pol. Adv. pd. for by Reppa Gutter, Texas.

Howard County Commissioner
Pct. 3
Dick Nichols
Pol. Adv. pd. for by Fern Cox, Campaign Mgr.

John J. Reemer, Sr.
Pol. Adv. pd. for by John J. Reemer, Sr.

Justice of The Peace Pct. 1, Place 1
Walter Grice
Pol. Adv. pd. for by Walter Grice

W.R. (Bill) Marsalis
Pol. Adv. pd. for by Truett Thomas, Texas.

Howard County Sheriff
Bill Eggeston
Pol. Adv. pd. for by Bill Eggeston

A.N. Standard
Pol. Adv. pd. for by A.N. Standard

Howard County Tax Assessor-Collector
Dorothy W. Moore
Pol. Adv. pd. for by Dorothy W. Moore

BUSINESS OP. D

RARE OPPORTUNITY. Own your own business. Distributorship for Kodak film, Duracell Batteries, O.E. Stylonia and other photo products needed in your area. No selling. Service top retailers under exclusive contract established by us. High immediate income. Minimum investment \$4,995. High profit structure. Call Op. 2, 1-800-423-4545 or write NAMCO, 2121 Monteville Rd., S.W. Birmingham, Alabama 35211. Include three references.

EMPLOYMENT F

NEED RELIABLE - Person to keep 13-month-old boy on Monday and Tuesday 9:00 a.m. - 12:00 noon.

HELP NEEDED for elderly couple, night work. Call 267-4271 or 263-2514.

INTRODUCING: TIARA Exclusives, finest Early American and Contemporary Glass. Call now for in-home demonstration or becoming in-home associate. 267-1186.

PARTS HELP WANTED: Minimum one year experience. Apply in person at the office of Shroyer Motor Company, 424 East 3rd Street. Call now for in-home demonstration or becoming in-home associate. 267-1186.

EMPLOYEE WANTED to install car stereos and CBs and sell electronic equipment. Autex Sound and Electronics, 1009 Gregg.

WANTED: BARTENDER, Waiter and Waitress. Call 267-8241.

OPENING FOR Outside Sales Position with Cottingham Bearing Corp. 201 E. 2nd St. 263-5391.

\$356.00 WEEKLY GUARANTEED. Work 2 hours daily at home (\$178 for one hour daily). Free Brochure. C.W.P. 1917 Rose, Irving, TX 75061.

PETRO CHEMICAL Transport now taking applications for truck drivers. 2 years experience required. Call 263-4046.

PENNY PINCHERS Lounge, Disco Mex-Tex music, waitress wanted. Call after 4:00 at 267-9885 or come by between 4:00 and 6:00, 1310 W. 4th.

MEN OR WOMEN CLERKS NEEDED NOW

No previous experience required. Full pay and benefits while you learn. High School diploma preferred. Must be in good health and able to relocate. Age 17-34. Call Army Opportunities for appointment - Monica Cleveland 267-8949.

BIG SPRING STATE HOSPITAL

Has openings for Registered Nurses on Afternoon and Night Shifts. Texas license required. Salary: \$1266 per month, plus excellent benefits including: Paid Hospitalization and Life Insurance, 15% 401(k) monthly contribution for Social Security, paid vacation, sick leave and holiday pay, Workers Comp. pension coverage, Tax sheltered income plans, Longevity and excellent Retirement plan.

Contact: Personnel, P.O. Box 231, Big Spring, TX 79726, (915) 267-8216. EEO Affirmative Action Employer M-F.

MAGIC MIRROR FIGURE SALON

Need part time and full time instructors. No experience necessary, must be neat, trim & have a positive outgoing personality, be available to work morning, afternoon or evening shifts. For a fun job call: 263-7381 for an appointment.

Wayne T.V. RENTALS

T.V.'S - STEREO'S - APPLIANCES

RENT TO OWN PLAN

No Credit Needed

100% Free Maintenance

501 E. 3RD 267-1903

SALES REPRESENTATIVES

One of the largest life insurance companies in the United States is seeking individuals in the Big Spring area to market corporate and personal financial service products. We have an incentive plan plus commissions and a starting amount up to \$1,300 per month...plus fringe benefits and a comprehensive training program.

Please Call - Dee K. Carter or send resume or brief letter to: Dee K. Carter, Lincoln National Life P.O. Box 6406, Midland, TX 79701

CHAMPION EVAPORATIVE COOLERS

All sizes.

4000 CFM 2 speed window unit \$239.95

4700 CFM 2 speed window unit \$295.50

5500 CFM 2-speed down draft \$339.95

EVAPORATIVE COOLER Pads for most all brands. Also motors, pumps, brass fittings, tubing, coating and chemicals. All at low prices.

COMPLETE SELECTION of Dearborn Coolers

JUST RECEIVED shipment of ceiling fans in an exceptionally heavy brass casting, with or without lights.

NEW 18.4 CU.FT. ADMIRAL, 2-door, frost free refrigerator \$498.50

15% OFF All Wood Dining Room Suites

USED 3-PIECE Bedroom Suite \$98.95

HUGHES TRADING POST

2000 W. 3rd 267-5661

ACCOUNTS PAYABLE CLERK

We need an Accounts Payable Clerk, requirements are:

- (1) Responsible Individual with experience in processing payables through the entire payable cycle.
- (2) Knowledge of fundamental of Bookkeeping principles.
- (3) Desire to learn and willing to work.
- (4) Provision in typing and 10-key adding machine.

PRICE CONST. INC.
P.O. BOX 1029,
Big Spring, TX 79720

If you want a job with a growing company and have the qualification listed above, Please call: Lane McMillan, et (915) 267-1691 for interview.

Help Wanted F-1

WANTED LIVE-IN Housekeeper and babysitter, Mature woman to keep two young girls, ages 8 and 13. Father travels with his job. Call 263-2647 after 4:00.

WANTED RETIRED, reliable couple with income to live in country. House and utilities furnished. For more information call 915-293-2338 after 7:00.

SARAH CONVENTRY Jewelry, Big Spring and surrounding areas needs 10 ladies to wear and show. Make \$75 to \$250 weekly. No investment. Will train. Call for appointment, 263-0845.

COUPLE FOR MOTEL MANAGEMENT: Excellent opportunity for the right couple who are looking for a permanent position. Experience not required, must have the ability to take charge without supervision. Excellent beginning salary with spacious living quarters included. Prior small family or couple without children, no pets. 40 unit motel in medium size West Texas town. Reply to Box 998-B Care of Big Spring Herald, Big Spring, TX 79726.

PREFER MATURE woman for attendant in laundry, retiree okay. Must deal with people well, have own transportation and be in good health. Work every other week, some evening shifts. Call 267-2430 after 5:00 p.m.

EARN EXTRA Money at Home. Good pay, easy work. No experience necessary. Send for application report. M&R, P.O. Box 695, Foran, TX 79732

Help Wanted F-1

NEED RELIABLE - Person to keep 13-month-old boy on Monday and Tuesday 9:00 a.m. - 12:00 noon.

HELP NEEDED for elderly couple, night work. Call 267-4271 or 263-2514.

INTRODUCING: TIARA Exclusives, finest Early American and Contemporary Glass. Call now for in-home demonstration or becoming in-home associate. 267-1186.

PARTS HELP WANTED: Minimum one year experience. Apply in person at the office of Shroyer Motor Company, 424 East 3rd Street. Call now for in-home demonstration or becoming in-home associate. 267-1186.

EMPLOYEE WANTED to install car stereos and CBs and sell electronic equipment. Autex Sound and Electronics, 1009 Gregg.

WANTED: BARTENDER, Waiter and Waitress. Call 267-8241.

OPENING FOR Outside Sales Position with Cottingham Bearing Corp. 201 E. 2nd St. 263-5391.

\$356.00 WEEKLY GUARANTEED. Work 2 hours daily at home (\$178 for one hour daily). Free Brochure. C.W.P. 1917 Rose, Irving, TX 75061.

PETRO CHEMICAL Transport now taking applications for truck drivers. 2 years experience required. Call 263-4046.

PENNY PINCHERS Lounge, Disco Mex-Tex music, waitress wanted. Call after 4:00 at 267-9885 or come by between 4:00 and 6:00, 1310 W. 4th.

MEN OR WOMEN CLERKS NEEDED NOW

No previous experience required. Full pay and benefits while you learn. High School diploma preferred. Must be in good health and able to relocate. Age 17-34. Call Army Opportunities for appointment - Monica Cleveland 267-8949.

BIG SPRING STATE HOSPITAL

Has openings for Registered Nurses on Afternoon and Night Shifts. Texas license required. Salary: \$1266 per month, plus excellent benefits including: Paid Hospitalization and Life Insurance, 15% 401(k) monthly contribution for Social Security, paid vacation, sick leave and holiday pay, Workers Comp. pension coverage, Tax sheltered income plans, Longevity and excellent Retirement plan.

Contact: Personnel, P.O. Box 231, Big Spring, TX 79726, (915) 267-8216. EEO Affirmative Action Employer M-F.

MAGIC MIRROR FIGURE SALON

Need part time and full time instructors. No experience necessary, must be neat, trim & have a positive outgoing personality, be available to work morning, afternoon or evening shifts. For a fun job call: 263-7381 for an appointment.

Wayne T.V. RENTALS

T.V.'S - STEREO'S - APPLIANCES

RENT TO OWN PLAN

No Credit Needed

100% Free Maintenance

501 E. 3RD 267-1903

SALES REPRESENTATIVES

One of the largest life insurance companies in the United States is seeking individuals in the Big Spring area to market corporate and personal financial service products. We have an incentive plan plus commissions and a starting amount up to \$1,300 per month...plus fringe benefits and a comprehensive training program.

Please Call - Dee K. Carter or send resume or brief letter to: Dee K. Carter, Lincoln National Life P.O. Box 6406, Midland, TX 79701

CHAMPION EVAPORATIVE COOLERS

All sizes.

4000 CFM 2 speed window unit \$239.95

4700 CFM 2 speed window unit \$295.50

5500 CFM 2-speed down draft \$339.95

EVAPORATIVE COOLER Pads for most all brands. Also motors, pumps, brass fittings, tubing, coating and chemicals. All at low prices.

COMPLETE SELECTION of Dearborn Coolers

JUST RECEIVED shipment of ceiling fans in an exceptionally heavy brass casting, with or without lights.

NEW 18.4 CU.FT. ADMIRAL, 2-door, frost free refrigerator \$498.50

15% OFF All Wood Dining Room Suites

USED 3-PIECE Bedroom Suite \$98.95

HUGHES TRADING POST

2000 W. 3rd 267-5661

ACCOUNTS PAYABLE CLERK

We need an Accounts Payable Clerk, requirements are:

- (1) Responsible Individual with experience in processing payables through the entire payable cycle.
- (2) Knowledge of fundamental of Bookkeeping principles.
- (3) Desire to learn and willing to work.
- (4) Provision in typing and 10-key adding machine.

PRICE CONST. INC.
P.O. BOX 1029,
Big Spring, TX 79720

If you want a job with a growing company and have the qualification listed above, Please call: Lane McMillan, et (915) 267-1691 for interview.

Help Wanted F-1

WAREHOUSEMAN - AP PROXIMATELY 9:00-5:00, five days week. Tri City Beverages, 1600 Young Street.

MOBIL OIL SERVICE STATION
Dealer needed. Contact: MERRILL CREIGHTON
207 W. 6th 263-7387

NEED
Experienced salesperson wanted. For appointment call: 267-2523
K.H.M. Box 750
Big Spring, TX 79726
An Equal Opportunity Employer

BIG SPRING EMPLOYMENT AGENCY

Coronado Plaza 267-2535

BOOKKEEPER - previous exp? RECEIPTIST - excellent typist
LEGAL SECRETARY - shorthand, typing, local firm - OPEN
SECRETARY-RECEPTIONIST - experience, good typing speed. OPEN
MANAGEMENT TRAINING - local Co., delivery, benefits. \$450-500
COUNTER SALES - parts, experience, local. OPEN
DRIVER - experience, good safety record, local firm. OPEN

WE CURRENTLY HAVE SEVERAL JOB OPENINGS AND NEED MORE QUALIFIED APPLICANTS. SOME OF OUR POSITIONS ARE FEE BASED. THERE IS NO FEE UNTIL WE FIND YOU A JOB.

Position Wanted F-2

CARPET LAYING \$1.50 and up. Carpet for sale, any type at unbelievable price. Relay any type and will guarantee. For more information call 267-9202 from 9:00-5:00. After 5:00 p.m. call 263-2154 or come by 3008 W. 4th.

WILL DO Yard work, clean alleys, and mow lawns. Call 267-5472.

CARPENTRY - Repair - Painting. Rant houses cleaned-trash hauled. Small cement jobs and patch work. 263-8242

INSTALL CARPET, \$1.50 yard and up. New carpet (blue and red). Please call for more information, 263-4533.

INSTRUCTION Q

TUTORING - TEACHER Certified in Language and Learning Disabilities. Experienced. Elementary children only. 263-2782 after 4:00.

WOMAN'S COLUMN J

Child Care

LITTLE RASCALS CHILD CARE

Open 24 Hours, 7 days weekly. Reasonable rates. Responsible adult care. Ages 3 months to 5 years.
CALL 267-8109

Sewing J-6

EXPERT ALTERATIONS - Men's and women's clothes. Individual or businesses. Quick service. Call anytime. 267-8888

Sewing Machines J-8

WE SERVICE all makes of sewing machines. Singer Dealer. Highland South Center, 82-844.

Farm Equipment K-1

1970 MASSEY FERGUSON (1100) Tractor, Cab. Good condition. \$4,200. 550 gallon tank (Diesel or Gas) \$425. 299-4474.

FORD, FERGUSON and Massey-Harris Tractors, 4-cylinder Wisconsin power unit and other farm tools. Two miles South on Hwy. 87 in Big Spring. No reasonable offer refused!

LARGE SELF-Feeding cattle feeder (shop made). Gas or diesel "L" shape tank. 1120 sq ft air wrench almost gone. \$128. 299-4474.

ALLIS CHALMERS Tractor, 4 cylinder, 3 speed, hydraulic lift, with cutter/vator, 2-row bumper, planter. After 5:00 293-2561.

FOR SALE: M Farmall Tractor and Tandem disc. Call 299-8232.

SMALL (800) FORD Tractor, \$2,000; 1 row planter, \$285; 5 row lister, \$285; Tandem Disc. 299-5469.

Garage Sale

Did you know that the Federal Crop Insurance Corporation policy provides an adjustment factor for not having a loss? What this means to you is if you are covered by FCIC insurance and have a disaster, you will be covered for this crop by FCIC insurance as well as your ASCS disaster program. If you have a good year and do not have a claim, your premium will be reduced by 5% for next year's crop when the ASCS disaster program may not be in effect.

Call or come by the Howard County Federal Crop Insurance offices today. Don't make the mistake of trying to out-guess the weather in West Texas. Sign up for Federal Crop Insurance and rest easy knowing your crop is covered. And remember, you can pay your tax-deductible premium before you get your crop out if you want to.

Garage Sale

Did you know that the Federal Crop Insurance Corporation policy provides an adjustment factor for not having a loss? What this means to you is if you are covered by FCIC insurance and have a disaster, you will be covered for this crop by FCIC insurance as well as your ASCS disaster program. If you have a good year and do not have a claim, your premium will be reduced by 5% for next year's crop when the ASCS disaster program may not be in effect.

Call or come by the Howard County Federal Crop Insurance offices today. Don't make the mistake of trying to out-guess the weather in West Texas. Sign up for Federal Crop Insurance and rest easy knowing your crop is covered. And remember, you can pay your tax-deductible premium before you get your crop out if you want to.

Garage Sale

Did you know that the Federal Crop Insurance Corporation policy provides an adjustment factor for not having a loss? What this means to you is if you are covered by FCIC insurance and have a disaster, you will be covered for this crop by FCIC insurance as well as your ASCS disaster program. If you have a good year and do not have a claim, your premium will be reduced by 5% for next year's crop when the ASCS disaster program may not be in effect.

Call or come by the Howard County Federal Crop Insurance offices today. Don't make the mistake of trying to out-guess the weather in West Texas. Sign up for Federal Crop Insurance and rest easy knowing your crop is covered. And remember, you can pay your tax-deductible premium before you get your crop out if you want to.

Garage Sale

Did you know that the Federal Crop Insurance Corporation policy provides an adjustment factor for not having a loss? What this means to you is if you are covered by FCIC insurance and have a disaster, you will be covered for this crop by FCIC insurance as well as your ASCS disaster program. If you have a good year and do not have a claim, your premium will be reduced by 5% for next year's crop when the ASCS disaster program may not be in effect.

Call or come by the Howard County Federal Crop Insurance offices today. Don't make the mistake of trying to out-guess the weather in West Texas. Sign up for Federal Crop Insurance and rest easy knowing your crop is covered. And remember, you can pay your tax-deductible premium before you get your crop out if you want to.

Garage Sale

Did you know that the Federal Crop Insurance Corporation policy provides an adjustment factor for not having a loss? What this means to you is if you are covered by FCIC insurance and have a disaster, you will be covered for this crop by FCIC insurance as well as your ASCS disaster program. If you have a good year and do not have a claim, your premium will be reduced by 5% for next year's crop when the ASCS disaster program may not be in effect.

Call or come by the Howard County Federal Crop Insurance offices today. Don't make the mistake of trying to out-guess the weather in West Texas. Sign up for Federal Crop Insurance and rest easy knowing your crop is covered. And remember, you can pay your tax-deductible premium before you get your crop out if you want to.

Garage Sale

Did you know that the Federal Crop Insurance Corporation policy provides an adjustment factor for not having a loss? What this means to you is if you are covered by FCIC insurance and have a disaster, you will be covered for this crop by FCIC insurance as well as your ASCS disaster program. If you have a good year and do not have a claim, your premium will be reduced by 5% for next year's crop when the ASCS disaster program may not be in effect.

Call or come by the Howard County Federal Crop Insurance offices today. Don't make the mistake of trying to out-guess the weather in West Texas. Sign up for Federal Crop Insurance and rest easy knowing your crop is covered. And remember, you can pay your tax-deductible premium before you get your crop out if you want to.

Help Wanted F-1

WAREHOUSEMAN - AP PROXIMATELY 9:00-5:00, five days week. Tri City Beverages, 1600 Young Street.

MOBIL OIL SERVICE STATION
Dealer needed. Contact: MERRILL CREIGHTON
207 W. 6th 263-7387

NEED
Experienced salesperson wanted. For appointment call: 267-2523
K.H.M. Box 750
Big Spring, TX 79726
An Equal Opportunity Employer

BIG SPRING EMPLOYMENT AGENCY

Coronado Plaza 267-2535

BOOKKEEPER - previous exp? RECEIPTIST - excellent typist
LEGAL SECRETARY - shorthand, typing, local firm - OPEN
SECRETARY-RECEPTIONIST - experience, good typing speed. OPEN
MANAGEMENT TRAINING - local Co., delivery, benefits. \$450-500
COUNTER SALES - parts, experience, local. OPEN
DRIVER - experience, good safety record, local firm. OPEN

WE CURRENTLY HAVE SEVERAL JOB OPENINGS AND NEED MORE QUALIFIED APPLICANTS. SOME OF OUR POSITIONS ARE FEE BASED. THERE IS NO FEE UNTIL WE FIND YOU A JOB.

Position Wanted F-2

CARPET LAYING \$1.50 and up. Carpet for sale, any type at unbelievable price. Relay any type and will guarantee. For more information call 267-9202 from 9:00-5:00. After 5:00 p.m. call 263-2154 or come by 3008 W. 4th.

WILL DO Yard work, clean alleys, and mow lawns. Call 267-5472.

CARPENTRY - Repair - Painting. Rant houses cleaned-trash hauled. Small cement jobs and patch work. 263-8242

INSTALL CARPET, \$1.50 yard and up. New carpet (blue and red). Please call for more information, 263-4533.

INSTRUCTION Q

TUTORING - TEACHER Certified in Language and Learning Disabilities. Experienced. Elementary children only. 263-2782 after 4:00.

WOMAN'S COLUMN J

Child Care

LITTLE RASCALS CHILD CARE

Open 24 Hours, 7 days weekly. Reasonable rates. Responsible adult care. Ages 3 months to 5 years.
CALL 267-8109

Sewing J-6

EXPERT ALTERATIONS - Men's and women's clothes. Individual or businesses. Quick service. Call anytime. 267-8888

Sewing Machines J-8

WE SERVICE all makes of sewing machines. Singer Dealer. Highland South Center, 82-844.

Farm Equipment K-1

1970 MASSEY FERGUSON (1100) Tractor, Cab. Good condition. \$4,200. 550 gallon tank (Diesel or Gas) \$425. 299-4474.

FORD, FERGUSON and Massey-Harris Tractors, 4-cylinder Wisconsin power unit and other farm tools. Two miles South on Hwy. 87 in Big Spring. No reasonable offer refused!

LARGE SELF-Feeding cattle feeder (shop made). Gas or diesel "L" shape tank. 1120 sq ft air wrench almost gone. \$128. 299-4474.

ALLIS CHALMERS Tractor, 4 cylinder, 3 speed, hydraulic lift, with cutter/vator, 2-row bumper, planter. After 5:00 293-2561.

FOR SALE: M Farmall Tractor and Tandem disc. Call 299-8232.

SMALL (800) FORD Tractor, \$2,000; 1 row planter, \$285; 5 row lister, \$285; Tandem Disc. 299-5469.

Garage Sale

Did you know that the Federal Crop Insurance Corporation policy provides an adjustment factor for not having a loss? What this means to you is if you are covered by FCIC insurance

