

Lindsay, Sacred Heart hold commencements



Amy Arendt



Elizabeth Luttmr

Hamilton announces Lindsay High School's top two '99 graduates

Gary Hamilton, principal of Lindsay Public Schools, is pleased to announce the top two honor graduates of Lindsay High School for 1999. Amy Arendt, daughter of David and Sharon Arendt is the Valedictorian. Elizabeth Luttmr, daughter of Roger and Carol Luttmr is salutatorian.

A member of the National Honor Society, Miss Arendt is a National Merit Commended student and has been named to Who's Who Among American High School students for three years. She was this year's winner of the Veterans of Foreign Wars "Voice of Democracy Essay Contest." She is the recipient of a \$10,000 scholarship for Future Homemakers of America from the Houston Livestock Show and Rodeo. Miss Arendt has also received the National Honor Society's Certificate of Merit. She has been honored with a scholarship to Texas Women's University for \$8000 along with winning the Fort Worth Scottish Rite Foundation's scholarship for \$1,000.

Miss Arendt has competed at the State UIL meet in One-Act Play, Headline Writing, Poetry, and Spelling. She has also competed at various levels in JIL News and Feature Writing. She has participated in Basketball, Cross Country, Tennis. The Future Homemakers of America, and the Drama, Spirit, Speech, and Spanish Clubs. Amy has also

been very active in her Church and the Community of Lindsay. The 1999 Valedictorian plans to attend Texas Woman's University majoring in Communication Science.

Elizabeth Luttmr is a UIL State champion in Ready Writing and Literary Criticism. She has competed at the State UIL Editorial and One-Act Play contests. During her stint as an actress in the One-Act play, Miss Luttmr won the best actress award three times and the all-star cast award four. She is a four year member of the LHS Drill Team, serving as captain for two years. Elizabeth has served her class as an officer and is a member of the Science, and Pep Clubs. She has also been a member of the Student Council.

Also a National Merit Commended Student, the 1999 Salutatorian is a three year member of the Lindsay chapter of the National Honor Society and has been named to the Who's Who of American High School Students. She is the recipient of the Fort Worth Scottish Rite Foundation's scholarship for \$1000; and the Mrs. Maude O. Hunter scholarship to Texas A&M for \$1000. Miss Luttmr plans to attend Texas A&M University in College Station.

The two will be honored along with 41 others receiving diplomas at Commencement exercises this evening, May 28, at 8:00 p.m. at Centennial Hall in Lindsay.

Graduation will be celebrated by 43 Lindsay High School seniors on Friday, May 28. Impressive ceremonies will be held in St. Peter's Centennial Hall, beginning at 8:00 p.m., and honoring the dedication seniors have shown to succeed. Jodie Stringer, former coach and teacher will be the speaker.

Graduation festivities were held Thursday, May 27 at 6 p.m. for Sacred Heart High School. Bishop Joseph Delaney presided for Mass and formal ceremonies in Sacred Heart Church for the 22 graduates. Faculty, families, and friends shared their joy in reaching a major milestone.

Sacred Heart Elementary students conclude first PSIA state competition

Sacred Heart Kindergarten through 8th finished with a 9th place position in Private Schools Interscholastic Association (PSIA) state competition held at Baylor University, May 1. Schools were not separated into divisions based on enrollment, so all 1487 students from 43 schools competed at the same level. Just the top 3 winners from each district were allowed to compete at state.

Sacred Heart School student Andy Davis captured his 1st place medal in Maps, Graphs, & Charts. Kate Sepanski dominated 1st place in Modern Oratory.

To rank the quality education that Sacred Heart provides, remarked Sacred Heart 7th grade teacher Glenda Mitchell.

State Winners were:

8th Grade: Jennifer Hoedebeck, 2nd, Listening Skills; Mindy Wimmer, 2nd, Dictionary Skills; Joseph Davis, 5th, Maps, Graphs, & Charts; Mary Jane Callahan, 6th, Oral Reading.

7th Grade: Kate Sepanski, 1st, Modern Oratory; Patrick Knapp, 5th, 7-8th Science II; Amy Trevino, 3rd, Art.

6th Grade: Andy Davis, 1st, Maps, Graphs, & Charts.

5th Grade: Leah Vinson, 5th, Ready Writing; Abby Endres, 4th, Listening Skills.

This was the first year for Sacred Heart School students



Private Schools Interscholastic Association State winners from Sacred Heart were, from left, front - Abby Endres, Leah Vinson, Andy Davis; middle, Amy Trevino, Kate Sepanski, Patrick Knapp; back, Jennifer Hoedebeck, Joseph Davis, Mindy Wimmer. Not pictured is Mary Jane Callahan. Photo by Janie Hartman

MEMORIAL DAY CEREMONIES

Sacred Heart Parish, the VFW Post #6205 and its Ladies Auxiliary will observe Memorial Day on Sunday, May 30 with ceremonies in Sacred Heart Cemetery following the 8:00 a.m. Mass. Everyone is invited to attend. The VFW will host an evening dinner in the VFW Hall Sunday night.

see related articles on page 2



Russell Fette



Patrick Miller

Fette, Miller earn top Sacred Heart Senior Class awards for 1999

Graduating as Valedictorian of the 1999 Sacred Heart Senior Class on Thursday, May 27 was Russell Benjamin Fette. He is the son of David and Pam Fette.

Russell has consistently been on the Principal's Honor Roll in high school. He won Class Awards as a freshman in English I, Biology, Earth Science, and Religion I. His Sophomore Class Awards were Health, Algebra II, and English II. As a junior he won the Class Awards for Religion III, World History, Economics, and Advanced American Literature. His peers voted him Most Likely To Succeed for the past two years and this year he was voted Most Dependable.

During his four years in high school, Russell participated in the TAPPS Academic Competition. As a freshman he won third at State in Persuasive Speaking and fourth in Prose Interpretation. At State as a sophomore he placed second in Persuasive Speaking and Duet Acting, and fifth in Dramatic/Humorous Interpretation. As a junior at State he claimed third in Duet Acting, fourth in Persuasive Speaking, and fifth in Dramatic/Humorous Interpretation. This year his State places were third in Duet Acting, fifth in Persuasive Speaking, and sixth in Art.

Russell was a member of the See FETTE, pg. 10

Salutatorian honors were earned by Patrick Miller, son of Robert and Betty Miller. He will be attending Texas Tech University in Lubbock where he plans to major in Chemical Engineering. This summer he will participate as a Clark Scholar at Texas Tech to do research with Dr. Harry Parker of the Chemical Engineering Department. Patrick has been accepted into the Honors College at Texas Tech.

As a sophomore and junior Patrick used summer scholarships to participate in Midwestern State University's Spectrum Program.

Patrick has earned many awards during his high school career. He was named TAPPS Fine Arts Man of the Year on the state level in 1998. His TAPPS Academic competitions included winning first place at state in Math in 1997 and 1998 and first place at state in Science in 1999. He is a National Merit Commended Student.

Class Awards earned by Patrick were Algebra I, Biology, and World History as a freshman; Geometry as a Sophomore; and as a junior Accounting, Trig/Pre Calculus, and Chemistry. He won the 1999 local Citizen Bee and participated in the Regional Bee.

A member of the National Honor Society since his sophomore year, Patrick served as president of the See MILLER, pg. 10

19 Seniors graduate from Muenster High

As "Pomp and Circumstance" rang through the arches of Sacred Heart Church, the Muenster High School Class of 1999 processed in for commencement exercises last Friday. Cristy Drachenberg offered the invocation for the crowd of families and friends which filled the church.

Class Salutatorian Dolly Patel addressed the attendants first. She talked about rules for life that her dad had given her and the importance of depth of commitment and quality of service. "Think of life as a service to humanity," said Miss Patel. "God gave us life. What we do with that life is our gift to God."

Class of '99 number one graduate, Stephanie Bierschenk, gave the valedictory address. "This evening we mark the end of a worthwhile journey," she said. She gave thanks to the Lord for His guidance and encouraged her classmates to build on the foundation given by their parents and teachers to become the leaders of the 21st century. Saying that the key to success in life is hard work, she also encouraged her friends to take time to play and "live life to the fullest".

Following the graduate addresses, MHS Principal James Hopper introduced the commencement speaker John Schofield of Ponder. Schofield



John Schofield

is an information systems consultant and a certified peace officer in Texas. He talked about goals and character, but related them to the more understandable concept of a person's reputation. "a good reputation is hard to gain and easy to lose," he said. "For some people, you don't care what they think about your reputation, but people focus on your character as shown by your reputation."

Schofield had everyone listening carefully as he began to interact directly with the graduates, matching characteristics and reputations, both funny and

serious, to each one. It was obvious that he had spent some time studying the class members' reputations. "Protect your reputations," he said. "How will you be known in the future?"

The recognition of awards consisting mainly of scholarships was announced by James Hopper as follows:

Jaelyn Bell - Southwestern Commercial Heifer Scholarship (\$1,000);

Stephanie Bierschenk - Cooke County Electric Co-op Scholarship (\$2,000), Barnes & Noble Opportunity Award Scholarship (\$1,000), Hilsabeck Foundation Award (\$500), V.J. Patel Community Service Scholarship (\$250), Kiwanis Scholarship (\$500), Tandy Scholar Award, Texas State Highest Ranking Senior Valedictorian Award - full tuition at Texas A&M University (approx. \$2,500), GNB's Thomas Alexander Community Service Scholarship (\$500), and Muenster ISD ATPE Scholarship (\$300);

Cristy Drachenberg - V. J. Patel Community Service Scholarship (\$300), Mary Josephine Cox Scholarship to NCTC (\$200 per year), NCTC 1st National Bank of Saint Jo (\$600);

Melinda Fanning - Muenster State Bank (\$500);

Chad Felderhoff - Texas Tech University School of Agriculture (\$800), V.J. Patel Community Service



Following the long established tradition of moving the tassel on a senior's graduation cap, class sponsor Mary Dangelmayr completes the ceremony for Muenster High graduate Matthew York. Photo by Dave Fette

Scholarship (\$200);

Janet Fetsch - V.J. Patel Community Service Scholarship (\$100), Texas Tech Outstanding Academic Scholar (\$1,000 per year), Texas Tech University College of Agricultural Sciences & Natural Resources (\$1,000 per year), Abe & Annie Seibel Foundation recipient;

Eric Fisher - V. J. Patel Community Service Scholarship (\$500);

Kerry Fleitman - MHS Band Booster Scholarship (\$500), Mary Josephine Cox (\$200 per year);

Kevin Johnson - Mary Josephine Cox to NCTC (\$200 per year), NCTC Muenster State Bank (\$500);

Aaron Klement

V. J. Patel Community Service (\$250), Turtle Hill Golf Scholarship (\$1,000), President's Student Service Challenge (1,000), Muenster Jaycees Scholarship (\$500);

Jesse Luke - V. J. Patel Community Service (\$250);

Rupal Dolly Patel - Provost Baylor (University) Scholarship (\$18,000 per year), Austin College Leadership Institute Scholarship (\$16,000 per year), Wilson N. James Scholarship (\$1,000), Hilsabeck Foundation (\$500), SMU (\$20,800 a year), Tandy Scholar Award, Texas Salutatorian Award (\$4,000), Brent Sicking - V. J. Patel Community Service (\$200),

Abe & Annie Seibel Foundation recipient;

Dara Walterscheid - UNT Norman & Evelyn Luke Scholarship (\$2,800), Cooke County Electric Employees Children (\$500), V. J. Patel Scholarship (\$200);

Matthew York - V. J. Patel Community Service (\$300), MHS All Around Student (\$500).

MISD Board President Clifford Sicking presented diplomas to the graduating seniors: Jaelyn Renee Bell, Stephanie Ann Bierschenk, Cristy Dianne Drachenberg, Melinda Kaye Fanning, Chad Alden Felderhoff, Janet Aileen Fetsch, Eric Jamison Fisher, Ann Margaret Fisher, Kerry Marie Fleitman, Kinzie Elizabeth Gerstberger, Mandy Michelle Gieb, Kevin Edward Johnson, Aaron John Klement, Jesse Kevin Luke, Amie Alison McCourry, Rupal Dolly Patel, Brent Lee Sicking, Dara Dawn Walterscheid, and Matthew Edward York.

Exchange student, Laura Schlappal, received an honorary certificate and now returns to her native Germany to complete her education.

Senior Class Sponsors Irene Hartman and Mary Dangelmayr turned rings and tassels for the seniors.

Matthew York gave the benediction and the class recessed to a long receiving line outside followed by many parties.

Letters To The Editor

To the Editor,
 On April 19, the Forestburg ISD School Board was presented with a concern about students taking modified classes being ranked higher in class standings than mainstream students. Of the two students academics: the one receiving Salutory honors has taken modified or basic classes for four years and the other has taken recommended, advanced and college/dual credit classes. The board was presented with other school ranking systems and the reminder that they had the legal authority to change school policy at any time for the betterment of the school.
 On May 17, another board meeting was held and the issue of ranking was again brought to their attention and a request for action was presented. The question of incomplete student transcripts was placed before the board. The board in their infinite wisdom and concern for school standards refused to take action and change policy for this graduating class. When the matter was brought forth for discussion NOT ONE BOARD MEMBER HAD ANYTHING TO SAY. The only response to the situation was a statement read by board president Dale Hudspeth stating that current policy had been voted on and would stand.
 When a parent brought forth a concern about the school canceling certain school programs (cheerleading & golf among others), the policy concerning Baccalaureate services, and a school camera, Superintendent T. Brad Lane had the audacity to laugh & roll his eyes from the time she mentioned Baccalaureate until she finished. This shows the total lack of respect that parents receive at board meetings.
 This week the school principal was telling a group of students that if they didn't like the way things were going at this school to "go down the hill, turn left and drive fourteen miles to Saint Jo." When called on the comment, his reply was that he was only joking. In light of the current situation at this school, the comment was in very poor taste and some parents are taking his advice.
 If you are thinking of

sending your child to Forestburg ISD, please do your homework. Ask parents that have children in the school at this time. Talk to students currently enrolled there about the current environment and talk to teachers employed there (although they may not discuss anything with you for fear of losing their jobs). The intimidation tactics used by the current administration are not conducive to any child receiving a good education or teachers being able to competently perform their jobs.
 If you are not concerned with academic standards, or a school board that will not correct policies that are wrong (even if they were legally voted on policies) or you want a school administration that deals in half truths or no answer at all when asked questions, by all means send your children to Forestburg ISD.
 I am disgusted with a school system that thinks so poorly of its academic standards and the impression its lack of action gives to the remaining students. What does this message send to students remaining in school here? Are they supposed to work their butts off taking regular/advanced classes to be ranked lower than students who take basic or modified classes, or are they supposed to goof off, get in resource classes and coast through four years of High School and still have the opportunity to be valedictorian or salutatorian of their graduating class.
 I never thought I would see the day when I would remove any of my children from the Forestburg School. My father, myself, and my four children have attended school here. The only regret I have in transferring my child is ending the tradition of my family completing school in Forestburg.
 The opinions in this letter are mine and mine alone. Although many may feel the same, they are not speaking out, but I refuse to keep my mouth shut any longer concerning this matter.
 Sincerely
 Brenda (McCandless) Gordon
 P.O. Box 114
 Forestburg, TX 76239-0114

Dear Editor:
 Having worked a short time as a general reporter, I understand the versatility demanded of your staff members. Kudos to them for handling hard news and features with professionalism.
 In the May 14 issue, Janet Felderhoff wrote an informative feature story about the Andalusian horses that entertain at Medieval Times. The clarity of her composing, along with the photo images of a stunning animal piqued my curiosity.
 Her vivid writing convinces me that those horses would provide an exciting show!
 I could have gone to the Dallas entertainment spot last year about this time. I was taking a course in Medieval Drama and Romance at TWU, part of my Ph.D. curriculum. The professor had announced about the first of the course that going there would be a fun way to end the semester. Somehow plans fell through.
 In the course, I learned how the folks in the Middle Ages feasting in their castles would just throw the scraps to the floor. Some kind of straw covering would absorb it. It was fun to wonder about what Medieval Times patrons do - eat with hands, yes; throw scraps on floor, hmmm?
 Thanks to Janet's dedication to organization the information about the horses and the entertainment spot, I'm keeping the place in mind.
 Cordially,
 Stephen Bonin
 2012 Stanford
 Gainesville, TX 76240
 P.S. - On another note about my graduate course work. For two term papers I have found significant assistance in a website created by our own Father Tom Craig. The site offers a plethora of links to the world of Catholicism. Did you know?

Memorial Services scheduled Sunday

Memorial services will be held at Sacred Heart Cemetery on Sunday, May 30, following the 8 a.m. Mass. It will begin with procession to the cemetery from church. Ladies Auxiliary officers will place a memorial wreath at the central crucifixion statues. Boys and girls of the 1999 First Communion class will place carnations on veterans' graves.
 Father Tom Craig will bless graves of deceased veterans. Gina Yosten will sing two patriotic songs, accompanied by her dad, Doug Yosten on the guitar and her grandfather, Henry Yosten singing harmony.
 Main speaker for the event will be Commander of District #1 Richard Shivers, who will be introduced by Auxiliary President, Frances Bayer.
 The 21 gun salute will be directed by Arthur Bayer, Sgt. At-Arms of the Rifle Squad. TAPS, played by Ron and Tina Weinzapfel will conclude the memorial service.
 In the evening, the VFW will serve a steak dinner from 6:00 p.m. to 7:00 p.m., with everyone welcome. All widows of veterans receive a special invitation.



Practice for Memorial Day Services
 for Auxiliary Officers and First Communicants who have been contacted, will be **Saturday, May 29 at 9:00 A.M.** in the cemetery. For more info call **LINDA KNABE AT 759-2592.**

A PROCLAMATION
WHEREAS: The annual distribution of Buddy Poppies by the Veterans of Foreign Wars of the United States has been officially recognized and endorsed by governmental leaders since 1922, and
WHEREAS: VFW Buddy Poppies are assembled by disabled veterans, and the proceeds of this worthy fund-raising campaign are used exclusively for the benefit of disabled and needy veterans, and the widows and orphans of deceased veterans, and
WHEREAS: The basic purpose of the annual distribution of Buddy Poppies by the Veterans of Foreign Wars is eloquently reflected in the desire to "Honor the Dead by Helping the Living", therefore
 I, Henry Weinzapfel, Mayor of the city of Muenster do hereby urge the citizens of this community to recognize the merits of this cause by contributing generously to its support through the purchase of Buddy Poppies on the day set aside for the distribution of these symbols of appreciation for the sacrifices of our honored dead.
 I urge all patriotic citizens to wear a Buddy Poppy as mute evidence of our gratitude to the men and women of this country who have risked their lives in defense of the freedoms which we continue to enjoy as American citizens.

MUEINSTER ENTERPRISE
SUBSCRIPTION RATES:
 In Cooke County - 1 year \$32.00; 2 years \$59.00
 Outside of Cooke County - 1 year \$37.00; 2 years \$69.00
 Phone (940) 759-4311 FAX (940) 759-4110 THE MUEINSTER ENTERPRISE (USPS 367660) is published weekly except the last week in December for the entire year by the Muenster Enterprise, Inc., Post Office Box 190, Muenster, Texas 76252-0190.
 Periodicals postage paid at Muenster, Texas.
 POSTMASTER: Send address change to: THE MUEINSTER ENTERPRISE, P.O. Box 190, Muenster, Texas 76252-0190
 ISSN:0883-2544

Dear Editor:
 Tiny flags on millions of American graves will stir gently in the breeze this Memorial Day as our nation gives thanks to the ultimate sacrifices of its citizen soldiers. They fought and died to keep our nation free. Millions of disabled American veterans, who also greatly sacrificed, will be at cemeteries across America to ensure their fallen brothers and sisters are remembered with honor. But it is deeply saddening and disturbing that these men and women, disabled by war, are not remembered. They are part of lost generations who fought in wars, were severely wounded, but go largely unnoticed except when they turn out to salute their fallen comrades on Memorial Day.
 To correct that oversight, legislation is pending in the U.S. Congress to create a national memorial in Washington, D.C. to uniquely honor disabled veterans who served and sacrificed for their country. I am very proud to be a part of the effort to create a special memorial to honor the nearly 2.3 million disabled veterans living today. This memorial, to be funded by private contributions, will be the first national monument dedicated to disabled veterans who are still living.

To accomplish this noble goal, the Disabled Veterans' LIFE Memorial Foundation was created as a non-profit corporation. It is led by Chairman Lois B. Pope, a philanthropist, and President Arthur H. Wilson, Chief Executive Officer of the million member organization, the Disabled American Veterans. Jesse Brown, former Secretary of the Department of Veterans Affairs, serves as Executive Director. The Foundation looks with great anticipation to cooperation from the Parks Service and Congressional approval of legislation to achieve our goal to honor America's disabled veterans.

This memorial will be symbolic of the soul and spirit of America, it will proudly recognize the hardships and sacrifices demanded from, and faithfully accepted by, the millions of men and women who bear the scars of war. It will inspire future generations of Americans to recognize the power and virtue of sacrifice, and to remember those who have defended our land in war and peace. Above all, the memorial will stand as an important symbol of the cost of freedom, a timeless reminder that the sacrifices of disabled veterans are appreciated, and that America salutes its defenders.

Throughout our history, disabled veterans have paid the price for American freedom and have borne the deepest wounds and scars of war. They are truly our unsung heroes. Therefore, America has a solemn obligation to assure that these men and women who have served and sacrificed for this country and the cause of freedom will never be forgotten.

The price of freedom continues to be paid long after the guns fall silent - lost limbs, disability, blindness, paralysis, and other unique, extensive, and debilitating injuries. There are also the costs of lives lost and lives shortened, and lives that are forever changed.

Disabled veterans' lives were traumatized by their military experiences. Many will never know the wonder of a morning run because they have no legs or legs that are paralyzed and useless. Others can never hold their children or grandchildren in their arms because they have no arms. Many will never enjoy the beauty of a sunset or a spring day, because they live in eternal darkness. Burned deep within their memories are the horrors and brutality of war. They pay the price of freedom for a lifetime.

The price of freedom has a long history. Today, there are two widows and 15 children of Civil War veterans who receive compensation for the veterans' service-connected deaths. There are 13 American veterans still living today who were disabled in the Mexican Border War against Pancho Villa. There are 779 disabled veterans who suffered from the gas attacks and barages of World War I. Nearly 798,000 veterans who were disabled during World War II continue their service to America today as part of what Tom Brokaw has called "America's greatest generation." Nearly 273,000 Americans disabled during the Korean War are preparing to memorialize the 50th Anniversary of that conflict. Contributing to making our nation great are 815,000 disabled veterans who served during the Vietnam Era. And 231,000 veterans disabled during the Persian Gulf War will be part of the American landscape far into the 21st century.

The nearly 2.3 million disabled veterans in America today continue to make significant contributions to our nation's spirit and vitality. And sadly, that number will continue to grow, because the world is still a dangerous place.

On this Memorial Day, we will give thanks to the approximately 1,000 veterans who die each day. Most of them are World War II veterans, and many of them have died or will die due to the complications of wounds suffered during combat. They go with the thanks of a grateful nation. Let us as a people also give thanks to disabled veterans who continue to serve, to contribute, and to do all they can to make this nation secure and prosperous. They, too, should be honored by the nation they served so faithfully.

Sincerely,

 ARTHUR H. WILSON
 President

Disabled Veterans' LIFE Memorial Foundation, Inc.
 P.O. Box 23829 · Washington, D.C. 20026-3829
 202/554-4151
 The author is a disabled veteran of the Vietnam war, Chief Executive Officer, and National Adjutant of the Disabled American Veterans.

Thanks For The Help!
 Many people have suggested some good fund raising ideas for the Boy Scouts after hearing about the transportation problems to and from the Philmont Ranch. Thanks for your suggestions.
 The Boy Scouts have decided on a "Philmont or Bust" garage sale scheduled for Saturday, June 26th. Each Boy Scout going to Philmont has been asked to collect items such as furniture, old lamps, antiques, old primitive iron items, old light fixtures, collectible glassware, etc., that have the ability to draw potential buyers. Used sports equipment, toys kids have grown out of, exercise equipment, and old books round out a good garage sale. Anything you wish to get rid of will be welcome.
 All proceeds will go for use by the Scouts going to Philmont. Any excess funds will be spread out for use among all Scouts in Troop 664 for scouting purposes only. The boys going to Philmont will handle the pick up of donated items. As the Scout program tries to teach responsibility and leadership skills, we ask that you contact the Scout directly if you have anything to donate towards this sale. If the item will require an adult to handle it, please inform one of the following boys, but feel free to contact one of our adult leaders for more information. Call 759-4644, 759-2913, or 759-4311. Please contact us before June 18th to allow time for pick up.
 We all appreciate your generosity and support. Thanks again.

- Jack Biffle Daniel Bartush Adam Bayer Jonathan Bayer
 Duncan Campbell Keith Felderhoff Chad Felderhoff
 Eric Fisher Karl Fisher Aaron Klement Eric Knabe
 Daniel Rohmer Michael Voth Matt York

2-WEEK EVENTS CALENDAR To list your event, call 759-4311 BEFORE NOON WEDNESDAY!

Sunday, May 30 Memorial Services, Sacred Heart Cemetery Buddy Poppy Sale	Monday, May 31 MEMORIAL DAY	Tuesday, June 1 Exercise Class, 10:30-11:30, S.N.A.P. Center	Wednesday, June 2 Exercise Class, 10:30-11:30, S.N.A.P. Center Chamber of Commerce Board Meeting, 5:30 P.M., C of C	Thursday, June 3 Exercise Class, 10:30-11:30, S.N.A.P. Center Kiwanis Family Swim night 7-9 P.M., Muenster Pool Muenster School of Dance Recital 7 P.M. Gainesville High Auditorium	Friday, June 4 RELAY FOR LIFE - 2 P.M.-2 P.M. - Hornet Stadium	Saturday, June 5
Sunday, June 6 CDA continental breakfast KC Hall after 8 A.M. Mass - All welcome St. Anne's Society meeting 7 P.M. SNAP room SH Alumni Golf Tournament-Gainesville Muller-Herr-Stelzer Reunion, 10 A.M. Muenster Park	Monday, June 7 Sacred Heart Bible School week 9 - 11:30 A.M. TDH Immunization Clinic, 9 - 11 A.M. Cooke Co. Electric City Council meeting 7:30 P.M.	Tuesday, June 8 Exercise Class, 10:30-11:30, S.N.A.P. Center	Wednesday, June 9 Exercise Class, 10:30-11:30, S.N.A.P. Center Chamber of Commerce breakfast meeting 7:30 A.M., The Center	Thursday, June 10 Exercise Class, 10:30-11:30, S.N.A.P. Center MISD Board meeting 7:30 P.M., Administration Building	Friday, June 11	Saturday, June 12

Sponsored by **The Crafty Olde German** Gift Shoppe & Tea Haus 216 N. Main Muenster (940) 759-2505

Muenster is a city of winners!

by MaryLee Alfrod
Keep Muenster Beautiful not only worked toward and won the Governor's Community Achievement Award (GCAA), the KMB Board nominated others for deserving awards. The difference is Muenster competed for the GCAA with other communities within the population category ranging from 1,001 to 3,500 and individuals nominated for awards competed with all of Texas, regardless of the population. This makes the individual award nomination competition much tougher and more impressive when an individual wins or places.

Alfred (Johnny) Rohmer was nominated for the O.P. Schnabel Male Senior Citizen Award. These lifetime distinction awards recognize senior citizens (age 55+) and senior citizen organizations for continuing outstanding litter prevention and beautification efforts in their communities. Johnny Rohmer, a member of Keep Muenster Beautiful, was nominated in appreciation for his years of dedication to the Kiwanis Park and rock gardens on Main Street and for his participation with the Keep Muenster Beautiful "Trash & Treasure Hunts" and in the regular cleanups of Mesquite and Ash Streets, which have been adopted by the Kiwanis Club of Muenster. Congratulations to Johnny for placing 2nd in the State!

2nd in the state for the weekly newspaper media award! Media awards honor local newspapers and radio and television stations for outstanding public service efforts designed to educate, inform and encourage public involvement in local litter prevention, solid waste issues and community beautification. Media coverage for the Keep Muenster Beautiful campaign included television news reports from KAUZ-TV in Wichita Falls, electronic bulletin board messages on GNB and Muenster State Bank marquis, PSA's aired on KXGM radio, Channel 2 Bulletin Board PSA's and a total print coverage of 10,898 column inches in 31 publications. The Muenster Enterprise published 338 column inches of public service announcements and a minimum of 37 articles relating to cleanup and beautification issues. David Fette, the publisher of the Muenster Enterprise and supporter of Keep Muenster Beautiful responded to the Keep Muenster Beautiful plea for all Main Street and Highway 82 businesses to cleanup and beautify their properties. David Fette built and maintains the beautiful garden next to Sisters, a valuable, lovely and award winning addition to Main Street!

business/industry leadership in support for the organization's mission. Projects nominated for these awards should include, but are not limited to, education, beautification, conservation, and solid waste management. The project/activity should be of sufficient magnitude to be a major contribution to the community and state. Congratulations to Fischer's Meat Market & Grocery for placing 3rd in the state! The Keep Muenster Beautiful "Trash & Treasure Hunts" would not be the tremendous fun and success they are without the generosity of Fischer's Meat Market & Grocery who donated the hotdog lunches at both events. In addition, Fischer's provided "teams" to all cleanup events and participates in the Adopt-A-Highway program. They provide a location to recycle cardboard and promote tourism with their beautiful German business facade, which will only be enhanced when their glockenspiel is installed this summer! This will be a major contribution to the beautification and economy of Main Street!

The Individual Award Nomination winners and 2nd and 3rd runners-up will be recognized at the Keep Texas Beautiful Convention in Austin June 30 through July 2, 1999. The Male Senior citizen Award winners will be recognized at the O.P. Schnabel and KTB Program Awards Luncheon on

Thursday, July 1 at 12:00 p.m. Media and Business award winners and runners up will be recognized at the Don't Mess With Texas dinner at 6:30 p.m. that same day.

The Governor's Community Awards luncheon presenting the nine winning cities in Texas is 11:45 a.m. Friday, July 2. For reservations or to register for events call 8-800-CLEAN TX.

For the information for all attending from Muenster on Friday, May 28, they will be seated at 9:50 a.m. in the House of Representatives Gallery on the second floor, west side of the Texas State Capitol. A Keep Texas Beautiful volunteer will greet them at the Gallery door and present each a small KTB flag. They will then be seated with other winners. Note: Parking is always a problem, so give yourself plenty of time and bring lots of quarters.

At 10:30 a.m., the full delegation will proceed to the Agricultural Museum on the main floor, for coffee, pie, festivities, and a piece of the prize money "pie!"

At 11:40 a.m. winners depart for the Senate Gallery on the second floor. There are elevators and stairs. Community leaders and officials are asked to stand and be recognized.

At 12:30 p.m. photo sessions begin. Muenster is scheduled for a photo session at 1:15 p.m. probably outside the Capitol.



Early morning showers Wednesday got out the rain gear for Sacred Heart students going to school. Kelsey Reeves keeps Devan Henry dry on the walk back to the classroom after an assembly in the Community Center. Photo by Janie Hartman.

CCAD Board votes to purchase new vehicle

by Janet Felderhoff
Members of the Cooke County Appraisal District Board were unanimous in their decision to purchase a new vehicle for use by the CCAD. Three bids were submitted. Glenn Polk AutoPlex had the low bid for \$8,972 for a four door, two wheel drive 1999 Jeeperokee. The other two bids were for \$20,921.60 from Glenn Polk Ford for a 1999 Ford Explorer and for \$3,369.03 from Brown Motor for a 1999 Chevrolet Sazer.

The CCAD Board also voted to go out for bids on a new phone system. Some of the features they have considered are 20 phones, at least 10 lines with an option of up to eight, a two intercom PA system, voice mail option, and automated answering system.

Chief Appraiser Doug Smithson explained to the board that Charter Royalty Company had requested some information from the Pritchard and Abbott. Pritchard and Abbott was at first unwilling to release the information cause of open records act. After talking with Smithson the company obtained the information for Charter Royalty, but put a \$600 charge on it. Smithson found that fewer tails were required than he thought and CCAD will be able to supply the information for less.

"We're in the middle of it cause we are responsible for the records even though Pritchard and Abbott do the reports," said Smithson. In checking Smithson said that the charge seems high. He thought it to the Board's attention at the suggestion of CCAD attorney Peter Low.

Stephen Cole, board member, asked when the county's contract with Pritchard and Abbott expired. He noted that it was things like this incident that will force them to go out for alternative bids.

After returning to open session from executive session, the board voted to direct the chief appraiser and attorney

Peter Low to extend proposed settlement offers as discussed in executive session to council for plaintiffs in the following cases: Wal Mart Stores Cause #97430; Wal Mart Stores East, Inc. Cause #98472; and Cause GW Davidson versus CCAD #98413. They also voted that if the settlement offers are accepted the chief appraiser and attorney Peter Low are authorized to take all necessary actions to finalize these lawsuits as required by the Property Tax Code and other applicable laws.

In his Chief Appraiser's report, Smithson presented a resolution to the Board for study and discussion. Two employees are considering retirement and would like to be able to continue with the same health insurance policy the CCAD now offers its employees. The individual retirees would pay their own premiums. This will be addressed at the next board meeting.

Leon Haney made several comments during the Public Comments time of the agenda. He remarked that five miles northeast of Gainesville is 10 acres of property owned by Brammer Pipe Supply. It is listed on the tax rolls at \$625 total, he said. Haney brought photos showing that there were no cattle on the place. He wondered why it was getting a value when it wasn't used for that purpose.

"They (Pritchard and Abbott Appraisers) say they're going to change it this year," remarked Haney. "How long has it been going on getting a value on something that don't have nothing to do with ag?"

Board Chair Jane Carlton responded that she didn't know the answer, but would have Smithson look into it.

In other business conducted at the May 18 regular meeting the CCAD Board:

- Tabled discussion of evaluations of computer software.
- Approved minutes of the April 8 and April 22 meetings.
- Accepted payment of bills.
- Reviewed and accepted financial statement.

Parish picnic news flash is announced

The picnic committee met on Monday night and decided there will be no summer picnic. We repeat, there will be no summer picnic. Summer has become a very busy time for everyone and we want everyone to share with us in our efforts to help the parish.

We have begged twice a year for a long time and now we are willing to give everyone who donated a break. We ask that you start now to plan for our one BIG BASH for the year. It will be on November 21, 1999 at the parish community center. It will be bigger and better than either of the other two previous picnics. The committee promises a good time to all. There will be a great live auction as well as a great silent auction. We promise the same great turkey and dressing lunch with all the trimmings along with a snack bar in the evening that will have a lot of new food items to choose from. We will be having raffles and games for the young and old. Talk of a quilt auction and live entertainment is already in the making. Watch the paper and the bulletin for future developments.

Workers are needed, young and old, to make this a success. Items are needed for the auctions and raffles. Some ideas are crafts, quilts, tablecloths, dinners for 10 or more, gift certificates, grills, swing sets, patio furniture, indoor furniture, gift baskets, autographed memorabilia, trips, crystal, collectors items, cash, livestock, and more. You have six months to put your thinking caps on and come up with some really good items to donate. Remember new and almost new items only (unless of course they are really neat antiques that someone would buy). You also have lots of time to invite your out of town family members and friends to come and share in a day of fun.

If you can help work, or you decide what you want to donate, or you have any new ideas, please call one of the committee members listed below. Remember we are all one family in our church and we need and want ALL our family members to help in either donating, working, purchasing, or all of the above. Search your hearts and join in the fun. Set aside November 21, 1999 and keep watching for further updates.

Debbie Hess 759-2890 (after 6 p.m. or weekends)
Tom Herr 759-4146
Leonard Vogel 759-4600
John Bartush 759-4215

Survivor lap to kick off local Relay For Life

A tremendous celebration will be taking place on June 4 at Hornet Stadium in Muenster. Everyone is invited to attend the opening ceremonies of the 1999 Cooke County Relay For Life.

At 6 p.m., cancer survivors will walk the first lap beginning the 4th annual Relay

For Life event. A cancer survivor is any individual who has been diagnosed with cancer, whether it has been 5 minutes or 50 years. Cancer survivors are invited to walk the first lap to start the Relay For Life event. Wheelchairs will be available at the event for anyone who would like to participate in the first lap, but feel they may not be able to walk the entire distance.

Immediately following this lap, a survivor group photo will be made, and a special reception honoring the cancer survivors will take place. Survivors receive a special "I Am Winning" tee shirt, goody bag, and free food and drink from the Relay Cafe throughout the event, and are automatically registered for door prizes donated specifically for the cancer survivors. Registration for cancer survivors begins at 2 p.m. on Friday, June 4 at Hornet Stadium.

Cancer survivors are living proof that the fight against cancer can be won. For anyone battling with cancer, there is no greater encouragement or symbol of hope than the Relay For Life. For more information about the survivor lap and reception, call Relay For Life headquarters at 759-2271, ext. 36.

OBITUARIES

Wayne Edward Vogel 1946 - 1999

Wayne Edward Vogel died peacefully in his home on Waldron Island, Washington on May 7, 1999, after a 3 1/2 year battle with leiomyosarcoma. He was born on Nov. 7, 1946 in Houston to Alphonse and Julia Hajovsky Vogel. He was a 1964 graduate of St. Thomas High School and a 1971 graduate of Rice University with a Bachelor of Arts Degree in Mathematics. He recently published a book of short stories entitled *Water Flowing over Stone* under the name of Cerek. Survivors include his spouse Betsy Sharp; daughter Rowan; step-daughter, Sarah Cabot; parents Alphonse and Julia

Vogel; brother Allan Vogel; sister Gloria Vogel Petzold; brother Gerard N. Vogel and spouse San Juana. Other survivors include niece Kerri N. Petzold; nephew Gerard A. Vogel; grand-nephews Jacob and Logan Molina.

Funeral service and burial was May 8, 1999 on Waldron Island. Memorial service was on May 22 on Waldron Island. Masses were offered at All Saints Catholic Church in Houston on May 17 and May 23.

Muenster relatives include an aunt, Lu Vogel and first cousins, members of the Joe Vogel, Theo Vogel, Lawrence Vogel, and Ray Vogel families.

Martha Moore dies at 103

Martha Moore, mother of Florence Williams died on May 18, 1999 at 7:00 p.m. in St. Richard's Villa at age 103. The funeral was held on May 24, 1999 in Otis, Kansas. No

further information was available at press time. The obituary and photo will be printed in next week's Muenster Enterprise.

What can happen if I dump illegally?

by Steve Broyles
City Administrator
Muenster Proud was established to reduce litter and beautify the city and community. Despite very successful litter collection days and five new Adopt-A-Highway commitments, people continue to litter the highways.

What can happen to a person who is cited for littering the highway? That depends on the amount of solid waste being disposed of at the time of citation. The following information is taken from the Texas Health and Safety Code, Section 365:

Class C Solid Waste Citation - solid waste weighing 15 pounds or less, or having a volume of 13 gallons or less. *Fine up to \$500.*

Class B Solid Waste Citation - solid waste weighing more than 15 pounds but less than 500 pounds, or having a volume of more than 13 gallons but less than 200 cubic feet. *Jail up to 180 days and a fine up to \$2,000.*

Class A Solid Waste Citation - solid waste weighing 500 pounds or more, or having a volume of 100 cubic feet or more. *Jail up to one year and a fine up to \$4,000.*

Commercial Dumping - solid waste disposed illegally for a commercial purpose and weighs at least 5 pounds or has a volume of more than 13 gallons. *Jail up to one year and a fine up to \$4,000.*

Peace officers are taught formulas or rules to use on estimating weight and/or volumes when issuing a solid waste citation. For instance, if a person throws a beer or soda can out the window of a truck, the person could be fined up to \$500 since this would be a Class C Solid Waste Citation. By rule, a 30 gallon trash sack weighs 100 pounds; therefore, if a person throws a 30-gallon trash sack along the roadside, this would be a Class B Solid Waste Citation and the person could go to jail up to 180 days, plus receive a fine of up to \$2,000. If a person threw five 30-gallon trash sacks on a highway this would be a Class A Solid Waste Citation, with a possible jail term up to one year plus a fine up to \$4,000.

Please help us keep our community a clean place to live, while at the same time avoiding the possibility of a fine and/or jail time.

Memorial Day Closings & Delays

The Muenster Enterprise will be closed on Monday, May 31. Please join us in prayerful respect and in a safe observance of the holiday. With the holiday falling on a Monday, there will be NO trash pick-up on May 31st, 1999. Trash pick-up will be on Tuesday, June 1, 1999, and Thursday, June 3, 1999.



Thanks For Making Us #1

KXGM
HIT 106.5

Local News ★ Sports ★ Weather
6:20 & 7:20 A.M. ★ 12:20 & 5:20 P.M.

Lifestyle

Magee, Fleitman celebrate Nuptial Mass and double ring vows

by Elfreda Fette

The wedding of Jennifer Lynne Magee of Houston and Kenneth John Fleitman of Houston was held on May 8, 1999 in St. Mary's Catholic Church of Longview, with Msgr. John Brennan V.G. officiating the Nuptial Mass and double ring rites at 2:30 p.m.

Daughter of Lynn Magee of Longview and David Magee of Tulsa, Oklahoma, and granddaughter of Lorraine Sunski and Nita Magee, the bride is a graduate of Spring Hill High School in Longview; Texas Woman's University in Denton, with a Bachelor of Science Degree in Human Biology; and in 1997, Texas Woman's University in Houston, with a Master of Science Degree in Physical Therapy. She is a Physical Therapist employed by Bay Area Rehabilitation Center in Baytown.

The groom is the son of Annette Fleitman of Lindsay and the late Henry Fleitman. He is the grandson of Lena Fleitman. He is a 1992 graduate of Lindsay High School, and received a Bachelor of Business Administration Degree from Texas Tech

University in 1996. He is the Office Manager employed by Cinta's Corporation.

Before an altar decorated with double candelabra with lighted candles, and ferns on pedestals, and the Unity candle, the bride was presented by her father and mother David Magee and Lynn Magee.

For her wedding, the bride chose an elegant white satin gown with chapel length train. The gown was sleeveless, with a scooped neckline in front and back, and accented with pearls and sequins. A double elbow-length veil and detachable chapel-length veil of illusion, both with scattered pearls, completed the bride's ensemble. Her bouquet was composed of spring colored roses.

ATTENDANTS

Donya Davis of Longview, childhood friend of the bride was maid of honor. Cathy Glunt of San Antonio, bride's sister, was matron of honor.

Bridesmaids were Karen Fleitman of Lewisville, groom's sister; Jami Schmidt of Dallas, Pam Henry of Stephenville, and Julie Kennemer of Houston all college roommates of the bride; and Stephanie Greer of Longview, childhood

friend of the bride.

They were attired in sleeveless, floor length gowns of buttercup colored crepe and satin, designed with fitted bodice, sequins, empire waistlines, and draped back.

Ronnie Dieter of Lewisville, childhood friend of the groom, was best man. Wayne Fleitman of Dallas, Bobby Fleitman of Denton, all brothers of the groom, David Magee of St. Mary's, Georgia, bride's brother, and Scott Hermes of Dallas, friend of the groom, were groomsmen.

Ushers were Fred Hughes of Denton, childhood friend of the groom and Jeff Glunt of San Antonio, bride's brother-in-law.

Wedding music was presented by Eileen Johnston, organist and Anita White, soloist. Selections included "Wedding March," "Ave Maria," and "Bread of Life."

Rudy Dieter of Lindsay was lecturer, presenting Liturgical Readings, and Prayers at Offertory. Godparents of the groom, Damond and Evelyn Fuhrmann of Lindsay, Godparents of the bride, Mike and Ginny Sandfoss of Kentucky presented Offertory

gifts of bread and wine at the altar. Eucharistic Ministers were Matt Sunski and Rudy Dieter.

RECEPTION

A reception followed at St. Mary's Parish Hall in Longview for 300 guests. Rachel Glunt, bride's niece presided at the guest book.

Topiaries with spring flowers served as table decorations, in addition to hurricane globes with lighted candles. Ficus trees with twinkle lights encircled the reception area.

Serving the three-tiered white wedding cake and the two-layered chocolate groom's cake were Terry Fleitman of Dallas, Mallorie Fleitman of Denton, Cyndi Fleitman of Lindsay, Melanie Ogelvie of Longview, Tracey Henigan of Marshall, Paige Edmonson of Longview, Kendall Magee of St. Mary's, Georgia, and Rachel Glunt of San Antonio.

The rehearsal dinner was held on May 7 in the home of Don and Peggy Denman, hosted by the groom's mother, Annette Fleitman.

Since returning from a wedding trip to Cancun, Mexico, the couple is at home in Tyler, Texas.



Mrs. Kenneth John Fleitman ...nee Jennifer Lynne Magee ...

Reunions

Elinor Wiesman celebrates 90th

The annual Muller, Stelzer, Herr Reunion will be held on Sunday, June 6, 1999 at the Pavilion of Muenster City Park from 10:00 a.m. until 10:00 p.m. Those attending are urged to bring covered dishes, drinks of their choice, picnic plates, paper cups, etc. Also please bring folding chairs. Meats will be furnished. Special attention is called to the date.

Elinor Wiesman's family and friends gathered at her home on Saturday, May 22 and later at The Center Restaurant for a celebration dinner honoring her 90th birthday. Her children, grandchildren, sisters, and friends presented flowers, gifts and many birthday cards.

A private dining room at The Center was beautifully decorated in a festive birthday theme, and a delicious German chocolate cake was served for dessert.

Elinor Wiesman's three sisters in attendance were

Regina Wolf and Margaret Clert both of Muenster, and Claribel Yosten of Fort Worth, who was accompanied by her daughter Susie and granddaughter.

Mrs. Wiesman's children and grandchildren include Kenneth and Joyce Wiesman of Fredericksburg, their son Kurt Wiesman and his son Michael, and a friend Sandy of Austin, Joyce and Edward Guthrie of Fort Worth and their son and daughter-in-law Ricky and Cindy Guthrie, and two daughters Melissa and Shane and James and Martha Wiesman of Wichita Falls.

Kiwanis family swim nights

Mark your calendars! The Kiwanis Club of Muenster is again sponsoring family swim nights at the city swimming pool. The Kiwanis Club encourages family time together. Grab your towels and plan on having fun. This summer's family swim nights are from 7:00 p.m. to 9:00 p.m. on June 3, June 18, July 1, July 16, July 29, and August 5. Have fun and enjoy that special time together!

Showers honor Jennifer Fuhrmann

Jennifer Fuhrmann, bride-elect of Brenton Warren was honored recently with two showers. A personal shower was held on Saturday, May 8 in the backyard of Danny and Janet Voth. The shower was hosted by the bridesmaids Leslie Fuhrmann, Nicole Bauer, Erica Schilling, Mere Powell, and Sarah Warren. Special guests were the mothers of the couple, Linda Fuhrmann and Teresa Warren;

also Godmother Bev Fuhrmann, and grandmother Lou Voth and Cathy Fuhrmann.

A bridal luncheon on Sunday, May 16 was hosted by Annette Anderle, Brenda Fuhrmann, and Becky Bauer all aunts of the bride. It was held in the home of Annette Anderle. Special guests were the bridal party, mothers, and grandmothers of the couple.



The Cross Timbers Girl Scout Troops were honored at the Court of Awards, Tuesday, May 4 at the Hillcrest Church of Christ in Gainesville. Muenster Scouts from Troops 1122, 998, 1015, and 45 were recognized. Troop 1122 bridged into Brownie and 1015 to Juniors. Attending were, from left, front - Alley Trubenbach, Briana Bindel, Amanda Hundt, Brianna Klement, Sara Walterscheid, Natalie Valliere; Middle row - Leader Judy Price, Ginger Bartush, Delania Sicking, Tiffany Teafattler, Winter Dittfurth, Taylor Klement; Back, Leader Dana Walterscheid, Jessika Hartman, Christina Eckart, Ann Walterscheid, Rebecca Grewing, Dillena Hundt, Renee Dittfurth, and Leaders Darla Hundt and Pam Dittfurth. Photo by Janie Hartman

Michael is one

Michael John Fleitman, son of Douglas and Vickie Fleitman, turned one year old. The birthday celebration began May 2 with a fireman party at home. Those attending were Michael's sisters, Mikayla and Mikenzie, Mom and Dad, grandparents, John David and Patsy Fleitman, great-grandmas, Mrs. Bertha Fleitman and Mrs. Cecilia Hermes, Uncle Sam and Aunt Jannet Fleitman.

On May 6, Michael's actual birthday, he found out he would no longer celebrate his

birthday alone. He will share it with new baby cousin, Kathryn Rose Bezner.

Michael celebrated again on May 7 at the 13th Annual Hartman reunion with hot dogs, hamburgers and a cake decorated with farm animals. Those attending were Mom and Dad, Mikayla and Mikenzie, Grandma and Grandpa Schmitt, Uncle Stephen, Aunt Michelle and Timothy Schmitt, Aunt Debbie and Karli Anderle. And many more relatives joined later for cake.



Michael John Fleitman

YEARS AGO

50 YEARS AGO

May 13, 1949

\$300,000 Bond Issue for New School Building gets overwhelming approval from voters. Final tally shows 363 for and 16 against. Century Plant at Clarence Wilson's home continues to grow. Present measurement is 9 ft. 6 in. above the ground. It was first noticed on April 21. One of the hardest rainstorms of recent years is accompanied by light hailstorm, causing minor damage to crops and gardens. The "Save The Soil And Save Texas" program sponsored by the Fort Worth Press awards certificates for outstanding achievement in soil conservation to Al Hess, Alfred Bayer, Tony Felderhoff, and Joe Otto; New Shiloh Baptist Church dedication is highlight of annual Mother's Day Homecoming. John B. Klement is elected new president of Muenster School Board. Other members are C.G. Clayton, E. S. Lawson, C.M. Walterscheid, Arthur Hellman, Jerome Pagel, and Tony Walterscheid. Wedding: Lucille Fuhrmann and Ray Hess are married in St. Peter's Church.

30 YEARS AGO

May 9, 1969

Soil Conservation Special

Issue of Muenster Enterprise honors 20th Annual Banquet and Zone winners: Werner Becker, Sr. in Zone 3 is also Grand Champion of the five zones. Also Howard Sledge of Forestburg in Zone 1; R.C. Haralson of Nocona in Zone 2; Hugh Collums of Whitesboro in Zone 4; and J.P. Cave of Sherman in Zone 5. Achievement that is related to better living was the objective recommended to the Muenster Chamber of Commerce at its annual banquet. Progress, not size, is the important factor says speaker from the Texas Highway Commission. Muenster Chamber of Commerce names R.N. Fette as 1969 Man of the Year. Roy Hartman gets bachelor's degree at Texas A&M University. Clifford Sicking is third at State Track meet, misses first place by exactly a half second. Muenster State Bank reports strong increase in both deposits and loans. Muenster VFW Auxiliary elects Mrs. Clarence Hudspeth president and Mrs. Tommy Hesse senior vice-president. Muenster's rain for the week totals 4.97 inches. Wedding: Cathy Medders and Ron W. Melugin are married in Sacred Heart Church.

Classes begin soon for RCIA

Classes will begin soon for anyone interested in joining the Catholic Church. The Rite of Christian Initiation of Adults is a yearlong process of classes and spiritual formation. It is open to anyone over the age of seven who has not been baptized Catholic or has been in another church. Interested individuals or families should contact Barbara Rohmer or Father Tom Craig at 759-2511, ext. 37 or 21.

Arts & crafts show seeks vendors

Vendors wishing to sell arts and crafts are being sought for participation in the September 18 Happy Birthday Party at North Central Texas College. Entry forms for the event, celebrating the college's 75th year of operation, are now available. Fee for a 10x6 space will be \$20. Other specifications regarding the show can be learned by calling 940-668-4214; e-mail izimmerer@nctc.tx.us

MUENSTER PHARMACY

Ask about having your prescription transferred to us - \$200 off each transferred prescription

Most Insurance Cards Accepted

- | | | | |
|-----------------|---------------------|--------------------------|--------------------|
| Texas Medicaid | Perform | Pro-Serv-EZ | PCS |
| Pacificare | Vitae | Paid (Valentia) | Valu-Rx |
| Stocon Group | Texas BC/BS (Weber) | Alta-Rx | Restat |
| UPS | Scriptcare | Serv-U Rx Services (SPS) | Inteq |
| APM | Scriptcard | United Healthcare (HMC) | Argus |
| Timeshare (PMP) | Workman's Comp | Diversified (DPS) | Harris HMO |
| Nyl Care | Paccar (Peterbilt) | Caremark (CRK) | ... and others ... |
| Prudential | Bravell (AMPI) | NPA-TAPE | |



Bob Ambrose, R.Ph.

Hours: Mon.-Fri. 9 A.M. - 6 P.M. • Sat. 9 A.M. - 12 NOON
(940) 759-2833 • Fax (940) 759-4758 • 511 N. Maple • Muenster, Texas 76252

We're Helping Our Graduates Talk Across Texas



Texas-Wide Roaming & Long Distance Calling Plus 500 Local Weekend Minutes as low as \$29.95 per month

WITH SOUTHWESTERN BELL YOU CAN STRETCH YOUR DOLLAR CLEAR ACROSS TEXAS

Get Nationwide roaming & long distance calling for just \$10 more per month.



North Texas Communications
2200 E. Hwy. 82 Gainesville
940-665-3347

Requires two-year service agreement with digital phone. Local weekend minutes work in D/FW local calling area only. LD charges of 20¢ a minute apply when receiving inbound calls outside D/FW. Restrictions apply. See store for details.

Southwestern Bell Authorized Wireless Agent

- Traditional Cellular, Digital Edge™ & Prepaid Service
- Seamless Nationwide Coverage In Over 20,000 Cities
- Unsurpassed Digital Network in D/FW

Ivers, Harvey vows exchanged

by Elfreda Fette
Mr. and Mrs. Thomas Anthony Harvey are at home in Fort Worth since returning from a wedding trip to a Bed and Breakfast resort that followed their marriage in Our Lady of Mt. Carmel Roman Catholic Church on May 15, 1999. Father Jason L. Huvar officiated the Nuptial Tridentine Mass and double ring vows at 11:30 a.m.

The bride is the daughter of Mr. and Mrs. Charles Ivers of Fort Worth and the granddaughter of Mr. and Mrs. Jerome Pagel of Muenster. A graduate of the University of North Texas, she received her Bachelor of Arts degree in 1994 and is employed by The Lyons Group.

The groom is the son of Mr. and Mrs. Andrew Harvey of Fort Worth and Mr. and Mrs. Richard Horn of Decatur. He is a graduate of Arizona State University and the Academy of Radio Broadcasting, served in the United States Marine Corps, and is a Veteran of Desert Storm. He is employed by Primedia Workplace Learning of Fort Worth.

The couple chose their wedding date to coincide with the wedding date of the groom's paternal grandparents, Mr. and Mrs. Robert R. Harvey.

Presented at the altar by her father Charles Ivers, the bride was wearing a formal wedding gown of candlelight satin in A-line design, simple neckline, brief, embroidered-lace sleeves, fitted bodice trimmed in ivory lace and seed pearls at the waistline, with covered buttons in back. The skirt swept into a short train.

Her matching candlelight tulle veil was elbow length, and was held by an ivory lace headband.
For tradition and sentiment she wore pearl and silver earrings from her grandmother Gertrude Pagel, and a pearl choker from her grandmother Ivers.

ATTENDANTS
Janet Ivers of Fort Worth, bride's sister was maid of honor.
Bridesmaids were Mrs.

Theresa Kleeman of Cary, North Carolina, sister of the bride, Mrs. Stacey Harvey of The Colony, sister-in-law of the groom, and Mrs. Carole Ivers of Benbrook, sister-in-law of the bride. They wore eggplant purple, A-line long dresses, designed A-line with scrunched cap sleeves, and covered

stood with him as best man. Groomsmen were John Harvey of San Antonio, groom's brother, Carl Ivers of Benbrook, bride's brother-in-law.
Ushers were Charles Ivers, father of the bride and Richard Horn, step-father of the groom. Acolytes were Patrick and

Joseph, at the end of Mass. Church decorations included tulle pew markers, ivy greenery and a variety of pastel floral arrangements on the altars and on the statuary.

RECEPTION

A reception was held at Kate Baker Park, a bistro buffet in a casual atmosphere, with music ranging from instrumental, country/western, pop and swing, hosted by the couple and the bride's family for 125 guests.

A table near the door held the guest book, bridal portrait and engagement pictures.

The bride's table was covered in white, and held votive candles and red and white variegated carnations.

The wedding cake featured a cascade of tulle that fell from the ceiling, entwined with grapevine. The off-white three tiered cake held a figurine of kissing angels, a gift from the maid of honor.

The groom's chocolate cake was topped with fudge-covered strawberries.

Red and white checked cloths accented serving tables, with accents of wine bottles - dripping lighted candles. Scattered fresh grapes and grapevines decorated buffet tables.

Windows in the reception area were draped with plum tulle.

Assisting with the serving was Cindy Ward, dear friend of the bride and groom and wedding consultant for the party.

The rehearsal dinner was hosted by the mother of the groom, in the church annex after rehearsal. Attending were Father Huvar, Jerome and Gertie Pagel, parents of the bride and groom, the bridal party, and Mrs. Charles Ivers, the grandmother who came from Amarillo.

Wedding guests from Muenster included Jerome and Gertie Pagel, John and JoAnn Pagel, Richard and Kaye Pagel, Diane Endres, Tommie Sue Hess, Dwayne and Denise Pagel and Nicole, all of Muenster, and Mike and Brenda Pagel of Dallas.



Mrs. Thomas Anthony Harvey ...nee Donna Kaye Ivers ...

buttons down the back. They wore matching long gloves and hairpieces of fresh white baby's breath; and carried nosegays of candlelight roses, pink carnation, white lilies and purple baby's breath.

Flower girl was Abigail Harvey, groom's niece, carrying a basket of off-white roses. Becket Harvey, groom's nephew, was ringbearer.

Chris Harvey of The Colony, twin brother of the groom,

Michael Sullivan of Burleson, friends of the couple.

Music was presented by Mary Jean Mooreman, organist and Roseanne Kure both of Sanger. Onsite coordinators for the church ceremony were Kelly Perdue, Marlene Lake, and Bobby Leahy.

The bride presented an off-white rose before the statue of Mary, mother of Jesus, and the groom presented a matching rose before the statue of St.



Pierce Morrill receives his new Wolf uniform from Kim Felderhoff as his mother Dr. Audrey Morrill watches. Courtesy photo

Graduation ceremonies held for Cub Scouts

Graduation for the Cub Scouts of Pack 664 was held Monday, May 17 at the VFW Hall. Each adult leader read about cub scouts and lit a candle. Each den then advanced to the next rank. The Tiger Cubs were presented with their new blue uniforms as they became Wolves. The Wolves advanced to Bears and the former Bears advanced to Webelos and each received a new scarf signifying their rank. After the first year Webelos advanced to second year Webelos, they treated the other boys to a song. Each scout was also given a mother's pin to present to his mother.

Advancing to Wolves from Den 5 were: Pierce Morrill, Scott Endres, Christopher Valliere, Steven Valliere, Jacob Bayer, Ryan Henschel, Chad Henschel, and Tyler Pagel. In addition, these scouts also received tiger paws 5, 17, and 16, a tiger cub patch, and a bobcat patch.

Advancing to Wolves from Den 4 were Dustin Pumphrey, Jeremy Lutkenhaus, Zachary Moritz, J.D. Tankersley,

Ashton Barrett, and John Nystrom. They also received tiger paws 3, 6, 8, 11, 12, 14, 16, and 17, a tiger cub patch, and a bobcat patch.

Advancing to Bears from Den 3 were Brandon Bindel, John Rohmer, Paul Crabtree, Kirk Felderhoff, Seth Pierce, Mitchell Hesse, Josh Sicking, Ryan Bartush, and Dillon Haverkamp. Paul Crabtree also received a Cub Scout World Conservation Award and two silver arrow points. Brandon Bindel also received a Cub Scout World Conservation Award, a recycling patch, and four silver arrow points. Josh Sicking also received a Cub Scout World Conservation Award and one silver arrow point.

Advancing to first year Webelos from Den 2 were John Crabtree, John Cowden, and Ricky Grewing.

Advancing to second year Webelos were Michael Valliere, Matthew Abney, Chad Endres, Brad Endres, Evan Koehler, Kyle Caldwell, and Roman Vogel.

Results of S.H.Y.M survey announced

by Eric Gray
The parish overwhelmingly advocated the return to religious education classes with the addition of families using an intergenerational family ministry program at home to supplement and support the classroom catechetics.

The task now at hand is to further investigate programs to use in these two areas, as well as best times for the classroom catechetics. The steering committee will be meeting on June 2 to initiate this process. We hope also to have some people attending the "Generations of Faith" conference in Irving on June 7-8, to better understand family ministry and the programs available within it. Likewise, we encourage all parishioners

who can, to attend the adult religious education programs which are being made available through our parish and diocese. The old adage holds true, "One can only give what one has to give."

For more information or for questions concerning any of these things, please feel free to contact 759-2511, ext. 21 for Fr. Tom, ext. 37 for Barbara Rohmer, or ext. 44 for Eric Gray.

New Arrivals

Fleitman
Wayne and Cyndi Fleitman announce with pride and joy the birth of a daughter, Breanna Ann Marie Fleitman in Denton Community Hospital on May 11, 1999, weighing 8 lb. 5 oz. and measuring 20 1/2 inches in length. She joins two brothers Dax and Dean Fleitman, and a sister Briley Fleitman at home. Their grandparents are Annette Fleitman of Lindsay, and Israel and Elida Garza of Mercedes, Texas. The great-grandmother is Lena Fleitman of Lindsay.

and Charlotte Dangelmayr and Joseph Fenton, Sr., all of Muenster, and the late Virginia Fenton. Great-grandmothers are Mary Dyer of St. Joseph, Missouri, and Caroline Schilling, and Margaret Fenton, both of Muenster.

Bezner
Dan and Christy Bezner of Lindsay are happy to announce the birth of a daughter, their first child, Kathryn Rose Bezner on Thursday, May 6, 1999 at 3:05 p.m. in Harris Methodist Hospital of Fort Worth, weighing 6 lb. 11 oz. and measuring 19 3/4 inches long. Grandparents are John and Pat Yosten of Benzer, and Weldon and Rose Bezner of Lindsay. Great-grandparents are Margaret Hartman of Muenster and the late Victor Hartman, and Augusta Walterscheid and the late Alfons Walterscheid.

Franklin
Debra and Billy Franklin of Gainesville are parents of a daughter, Jordan Marie Franklin born in Muenster Memorial Hospital on May 18, 1999 at 8:36 p.m., weighing 7 lb. 7 oz. and measuring 19 inches long. Grandparents are Mike and Patty Springfield, and Pat Bell, all of Gainesville. Great-grandparents are Thurman and Annabell

Klement
Kurt and Jenny Klement of Coppell, Texas announce the birth of their son, Kolbe David Klement, born April 29, 1999 at St. Paul's Hospital in Dallas. Kolbe weighed 8 lb. 4 oz. and was 21 inches long. Grandparents are Jerry and Carole Klement of Temple, and Mrs. Leona Lehman of Dallas. Great-grandmother is Mrs. Ollie Klement.

Dangelmayr
Tom and Hayle Dangelmayr of Muenster are parents of their second son, Cody Thomas Dangelmayr born in Muenster Memorial Hospital on May 17, 1999 at 11:54 a.m., weighing 8 lb. 8.1 oz. and measuring 21 inches long. He joins a brother Eli Joseph Dangelmayr, age 21 months. Grandparents are Bill

Suzanne Huchton Stevens graduates Summa Cum Laude

In ceremonies on May 15 at 10:00 a.m., Suzanne Huchton Stevens was graduated summa cum laude from TWU in Denton with a Bachelor of Arts degree, and has been accepted to the Masters Program in Counseling Psychology at the University of North Texas, Denton fall semester.

Suzanne is the daughter of Billy Huchton and the late John Huchton, the daughter-in-law of Theresa Stevens, and the late Isaac Stevens of Gainesville, and wife of Ike Stevens, Jr., an investment representative of Edward Jones, Denton. They are parents of Aaron Stevens presently attending University of Texas Law School, Austin, and John Stevens of Denton who will be a student at Southwest Texas State, San Marcos in the fall.

Getting together for lunch and an afternoon of visiting at the Stevens' home in Corinth, were relatives and friends: Billy Huchton of Muenster; Theresa Stevens, David and Margie Huchton and Calvin; Lynn and JoAnn Huchton, Dana and Valerie; and Lynn and Beryl Williams all of Gainesville; Royce and Sara Cain and Luke Cain all of Fort Worth; Bill and Betty White and Jamie of Tyler; Gail Brodersen, Ann Marie and Nate of Denton; Calvin and Connie, Keli, Crissy and Zak Williams of Valley View; Judy Oberkrom and Trevan Oberkrom, and son John of Denton.

Son Aaron, who was having finals on May 15 was not able to attend, but sent congratulations.

Springfield, and Imogene Pittner all of Gainesville.

Roof
Anthony and Shawn Roof of Nocona are parents of a son, Anthony Cyrus Roof born on May 20, 1999 in Muenster Memorial Hospital at 12:26 a.m., weighing 8 lb. 2 oz. and measuring 20 inches long. He joins a sister, Alley Roof age 23 months.

Tompkins
Chris and Melissa Tompkins of Montague announce the birth of a daughter Chelsie Marie Tompkins in Muenster Memorial Hospital on May 10, 1999 at 4:12 p.m., weighing 7 lb. 15.9 oz. and measuring 21 1/2 inches long. She joins a brother, Brian Tompkins, age two years. Grandparents are Bill and Nelda Vicari of Montague, and Sandy and Darlene Tompkins of Plano. Great-grandparents are Mable Tompkins, and Louis and Tildia Noble of Montague, and Agnes Hellinger of Lindsay.

Almaraz
Shelly Ranae and Hector Cedillo Almaraz of Gainesville are parents of a daughter, Lauren Lee Alexandra Almaraz, born in Muenster Memorial Hospital on April 12, 1999 at 5:27 p.m. She joins a brother, Hector Raymundo Cruz Almaraz, age two years.

Take Note

WANTED!! Very special people who are willing to teach Vacation Bible School June 7-11, 9:00 and 11:30 a.m. at Sacred Heart. Openings are in grades 1, 3, and 5. Aides and helpers for arts and crafts, music, and refreshments are also needed. High school, and college students and grandparents are welcome to help. If interested, call Barbara Rohmer at 759-2511, ext. 37 (or 759-4922 evenings) or Annette Bayer at 759-2514.

Facts About Skin Cancer

People who have been treated with medicines that suppress the immune system may also have an increased risk of melanoma.



Denise Renee Bayer

Denise Bayer graduates from TWU

Denise Renee Bayer, daughter of Dan Bayer and Mary Alice Bayer of Muenster, graduated Summa Cum Laude (4.0 average) from Texas Woman's University with a Master of Education Degree in Administration. Ceremonies were held in Pioneer Hall at TWU, Denton, on Saturday May 15.

Attending the graduation ceremony were Dan Bayer, Mary Alice Bayer, Melissa and Steve Trubench, Elizabeth Koesler, Gretchen Kostyniak, Martha Koesler, Raegan Koesler, and Kristian Koesler, all relatives of the graduate. Denise is a 1989 graduate of Muenster High School. She earned her Bachelor of Science degree in Education from TWU in 1993. She is currently teaching sixth grade math in Little Elm, Texas. Denise plans to acquire an administrative position for the 1999-2000 school year.

Muenster Dance School celebrates ten years

Muenster School of Dance has been in business for 10 years. To celebrate the special anniversary owner JoEll Kemp has planned a unique spring recital.

Country Kickin' will be held at 7 p.m. June 3 in the Gainesville High School Auditorium. Everyone is invited to attend. Admission is free and fun for ages is promised.



Duane Knabe,
C.P.A.

Tax Services

Computer Consulting

Bookkeeping Services

(940) 759-4010
124 S. Mesquite
Muenster, Texas 76252

OPEN SATURDAY!
We Welcome Walk-Ins

Texas State Optical

311 East California Street
Gainesville, Texas 76240

Office Hours
M-F 9-5:30
Saturday 9-1

940-668-7254 Open Late On Tuesday For Appointments

2 FOR 1 SALE

Glasses Exams Buy 1 Pair of Glasses & Get 1 FREE

Reg. \$50 Now \$25
or 2 for \$40

Buy 1st pair from regular frame selection and receive 2nd pair from Mainstreet collection absolutely FREE!
(Min. 1st pair purchase \$125.00. 2nd pair will have clear, plastic, single vision or FT 28 bifocals lenses)

<p>One Complete Pair of Plastic Single Vision Glasses</p> <p>\$49⁰⁰</p> <p><small>FT 28 Bifocals \$20.00 Extra (All frames from Mainstreet Collection) * Exam Not Included * Prescription Required</small></p>	<p>Daily Wear Contact Lenses</p> <p>\$37⁰⁰</p> <p><small>Includes 1 pair (2 lenses) of Clear Contacts and Follow-up Care * Exam Not Included * Prescription Required</small></p>	<p>Contact Lenses With Eye Exam</p> <p>\$75⁰⁰</p> <p><small>Includes 1 pair of clear disposable lenses and follow up care</small></p>
--	--	---

All doctors prescriptions accepted. Offers may not be combined with any other coupons, discounts, insurances, or sales. Some restrictions apply.

NATIONAL BRANDS SUMMERSALE

SELECT VARIETIES
Crest Toothpaste
4.6 OZ. TUBE
99¢



REG. OR MESQUITE
Heinz BBQ Sauce
18 OZ. BTL.
2 FOR \$1



REG. OR DECAFFEINATED
Nestea Mix
3 OZ. JAR
\$1.99




CREST ASSTD.
TOOTHBRUSHES
EACH
99¢

ASSORTED BANQUET
Fried Chicken
19-25 OZ. BOX
\$1.99



Cocoa Pebbles
Fruity Pebbles
16 OZ. REG./WALMOND HONEY BUNCHES OF OATS OR 13 OZ. COCOA/FRUIT PEBBLES
POST CEREAL
2 FOR \$4



BUY \$2.19 SIZE BAG ALL VARIETIES
Doritos Chips
GET ONE BAG
FREE



OSARKA NATURAL
SPRING WATER
6 PK. 16.9 OZ. BTL.
2 FOR \$3

BREAKFAST
POST SNACK ABOUTS
9 OZ. PKGS.
2 FOR \$4

ASSORTED FLAVORS
BUGLES
6 OZ. PKG.
99¢

BETTY CROCKER ASSTD. MICROWAVE
Pop•Secret Popcorn
3 CT. PKG.
99¢



ASSORTED
Kellogg's Cereal
YOUR CHOICE
2 FOR \$4



AMERICAN BEAUTY ELBO-RONI, LONG OR
Thin Spaghetti
10 OZ. PKGS.
2 FOR 99¢



ASSORTED VARIETIES
CapriSun Drinks
10 PACK 6.75 OZ.
2 FOR \$4



Summertime Specials

DR PEPPER
\$1.99
12 OZ. - 12 PACK



ROTEL
DICED TOMATOES & GREEN CHILES



- GLADIOLA 6 OZ. POUCHES YELLOW OR WHITE **Cornbread Mixes** 4 FOR \$1.00
- ROTEL ASSORTED 10 OZ. CANS **Tomatoes** 4 FOR \$3.00
- HORMEL 5 OZ. CANS ORIGINAL OR CHICKEN **Vienna Sausage** 2 FOR 99¢
- DEL MONTE ASSORTED 14.5 OZ. CANS **Tomatoes** 4 FOR \$3.00
- HEINZ **Sweet Relish** 10 OZ. JAR 99¢
- KRAFT ASSTD. SEVEN SEAS, REGULAR OR FREE **Salad Dressing** 8 OZ. BTL. 99¢

HEINZ TOMATO KETCHUP



- CULLIGAN GALLON **Drinking Water** 2 FOR \$1.00
- K.C. MASTERPIECE 18 OZ. BTL. ORIGINAL OR HICKORY **BBQ Sauce** 2 FOR \$3.00
- HEINZ SQUEEZE 28 OZ. BTL. **Tomato Ketchup** 2 FOR \$3.00
- PLAIN OR IODIZED 26 OZ. BOXES **Morton Salt** 2 FOR 79¢
- KRAFT VELVEETA & PASTA OR ASSORTED **Deluxe Dinners** 5.4-14 OZ. \$1.89
- ALSTEX 10 OZ. CANS HOT DOG **Chili Sauce** 2 FOR 99¢

PILGRIM'S PRIDE JUMBO PACK
Split Fryer Breast
89¢ LB.



Small Pack \$1.19 LB.

FISCHER'S **Pork Cutlets (SCHNITZEL)** **\$2.99 LB.**

ALL AMERICAN **Cooked (Boiled) Ham** **\$1.69 LB.**

OSCAR MAYER **Reg. Lunchables** 4.1-5.25 OZ. 99¢

LOUIS RICH ASSORTED **Variety Pack** 9-12 OZ. \$1.99

WRIGHT BRAND STACK PACK SLICED **Pepper Bacon** 1.5 LB. \$2.59

FOR STEW MEAT **Cubed Beef** 1 LB. \$1.99

FRESH **Ground Chuck** 1 LB. \$1.49

SLICED AMERICAN CHEESE (MARKET WRAPPED) **\$1.99 LB.**

FISCHER'S STUFFED (FROZEN ONLY!) **Pork Chops** **\$1.59 LB.** 1 1/2"-2 PK.

BAR S WHOLE BONELESS 5 LB. NET WT. **Smoked Ham** **\$6.49 EA.**

EXTRA LEAN HONEY CURED SMOKED HAM

FARM RAISED FRESH **Catfish Nuggets** **\$1.59 LB.**

COOK'S CENTER CUT **Ham Steaks** **\$2.19 14 OZ.**

DINNER STEAK

QUANTITY RIGHTS RESERVED
AFFILIATED FOODS INC. of Amarillo
ALL ITEMS NOT AVAILABLE AT ALL AFFILIATED STORES

Fischer's Meat Market



PRICES EFFECTIVE
MAY 31 - JUNE 6, 1999

NOT RESPONSIBLE FOR PICTORIAL OR TYPOGRAPHICAL ERRORS
1 (800) 259-7248 or 759-4211
SENIOR CITIZENS: No Amount of Purchase Necessary on Limited Sale Items!

Since 1927
We Wouldn't Be 72 Years Without You

PEPSI COLA

PEPSI COLA
24 OZ. - 6 PACK
NON-RETURNABLE
BOTTLES
\$1.99



LIMIT 2

PEPSI
12 OZ. - 12 PACK
\$1.99

DOWNY Fabric Softener
64 OZ. BTL.
\$1.99



ASSORTED VARIETIES
Spam®
12 OZ. CAN
\$1.69



ASSORTED VARIETIES
Ranch Style Beans
15 OZ. CANS
289¢ FOR



6 VARIETIES REG. ONLY
Libby's Vegetables
11-15.2 OZ. CANS
3 FOR \$1



- *CUT/FRENCH SLICED GREEN BEANS
- *CSW/K GOLDEN CORN
- *VAC PACK GOLDEN CORN
- *GREEN PEAS

GREEN GIANT PINTO BEANS
15 OZ. CANS
3 FOR \$1

OLD EL PASO REGULAR REFRIED BEANS
31 OZ. CAN
99¢

OLD EL PASO TACO SHELLS
18 CT. PKG.
\$1.89

OLD EL PASO CHOPPED GREEN CHILIES
7 OZ. CAN
99¢

ASSORTED VARIETIES
Tide Ultra 2
92-94 OZ. BOX
\$4.99

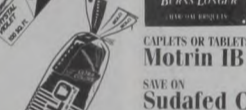
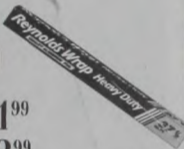


DEL MONTE Tomato Sauce
8 OZ. CANS
5 FOR \$1



Non Foods

- REYNOLDS 75 SQ. FT. ECONOMY OR 50 SQ. FT. HEAVY DUTY **Aluminum Foil** YOUR CHOICE **\$1.99**
- KINGSFORD MATCH LIGHT **Charcoal Briquets** 8 LB. BAG **\$3.99**
- REGULAR OR MESQUIT **Kingsford Charcoal** 10 LB. BAG **\$2.99**
- SOLO PLASTIC **Party Cups** 20 CT. 16 OZ. PKG. **99¢**
- 15 CT. REG./COMPARTMENT PAPER PLATES OR 12 CT. PAPER PLATTER **Chinet Plates** YOUR CHOICE **\$1.99**
- REYNOLDS COLOR **Plastic Wrap** 100 SQ. FT. ROLL **\$1.99**
- DOG CHOW, LAMB & RICE OR LITTLE BITES **Purina Dog Food** 17.6-22 LB. BAG **\$6.99**
- WHITE OR ULTRA WHITE 12 ROLL PKGS. **Charmin Bath Tissue** 2 FOR **\$5.00**
- ASSORTED VARIETIES **Pedigree Dog Food** 22 OZ. CAN **89¢**
- ASSORTED VARIETIES 5.5 OZ. CANS **Friskies Cat Food** 4 FOR **\$1.00**
- SOLO PLASTIC **Party Plates** 9" 15 CT. **99¢**
- ALLERGY SINUS CAPLETS, GELTABS **Tylenol Sinus** 24 CT. PKG. **\$3.99**



KRAFT ASSTD. DINNERS Macaroni & Cheese
5.5-7.25 OZ.
69¢



ASSORTED VARIETIES
Gatorade Drink
64 OZ. BTL.
2 FOR \$4



ASSORTED VARIETIES
Chex Mix
7.75-8 OZ.
99¢



- CAPLETS OR TABLETS **Motrin IB Sinus** 20 CT. PKG. **\$3.99**
- SAVE ON **Sudafed Cold & Sinus** 10 CT. PKG. **\$3.99**
- ASSORTED VARIETIES 1.7-2 OZ. SIZE **Arrid XX Solid** 2 FOR **\$3.00**

MANUFACTURER'S COUPON EXPIRES 12/31/99
BUY 1 GET 1 FREE
Diamond® Reflections™ Scented Candles
(Available on the single pack only.)



GOOD ONLY AT AFI MEMBER STORES
NOT SUBJECT TO DOUBLING
103148
48789 12300 3 (8100) 10164

CLIP & SAVE THIS VALUABLE COUPON

CLASSIC Dole Salad
2 FOR \$1
1 LB. PKG.



- WHITE **Seedless Grapes** LB. **99¢**
- LARGE VINE **Red Ripe Tomatoes** LB. **99¢**
- SPICY **Jalapeno Peppers** LB. **59¢**
- EXTRA LARGE **Bell Peppers** EACH **39¢**
- GARDEN FRESH **Green Onions** 3 BUNCHES **\$1.00**
- ITALIAN JUMBO **Sweet Red Onions** LB. **59¢**
- NEW CROP **California Apricots** LB. **\$1.29**
- DEL MONTE GOLDEN SWEET **Large Pineapples** EACH **\$1.99**
- SWEET **Honeydew Melons** EACH **\$1.79**

BLUE BUNNY YOGURT OR ASSTD. VARIETIES
Ice Cream
1/2 GALLON RND. CTN.
\$2.99



KRAFT REGULAR OR EXTRA THICK IWS
Velveeta Slices
12 OZ. PKGS.
2 FOR \$3



- WELCH'S REG. OR LIGHT COCKTAIL **Grape Juice Cocktail** 12 OZ. **99¢**
- PILLSBURY ASSORTED 11.5 OZ. PKGS. **Toaster Strudel** 2 FOR **\$3.00**
- ASSORTED 7 OZ. BOXES **Banquet Pot Pies** 2 FOR **99¢**
- ASSORTED MEXICAN **Patio Dinners** 12-13 OZ. **99¢**
- STOFFER'S **Mac & Cheese** 12 OZ. **99¢**
- ASSORTED VARIETIES **Jeno's Pizza** 7.2-8.1 OZ. **79¢**
- SAU SEA 5 OZ. PKGS. **Cooked Shrimp** 2 FOR **\$3.00**
- SAU SEA DELUXE **Cooked Shrimp** 10 OZ. **\$4.39**
- ASSORTED SELECT OR VALUE MENU **Banquet Meals** 6-7.11 OZ. **99¢**
- ASSORTED 5 OZ. PKGS. **Patio Burritos** 3 FOR **\$1.00**
- KRAFT 10 OZ. CHEDDAR, COLBY OR COLBY JACK **Halfmoon Cheese** 2 FOR **\$4.00**
- PIZZA CRUST, 10-10.6 OZ. **Pillsbury Breadsticks** 2 FOR **\$3.00**
- ASSORTED 12 OZ. PKGS. **Pillsbury Turnovers** 2 FOR **\$3.00**
- ASSTD. HUNGRY JACK 9.5-10 OZ. **Pillsbury Biscuits** 2 FOR **\$1.00**

THRIFTWAY

Fischer's Meat Market



DOUBLE COUPONS EVERY DAY!

PRICES EFFECTIVE
MAY 31 - JUNE 6, 1999

304 North Main, Muenster, TX

Sacred Heart High School Class of '99

Graduation

Thursday, May 27,

Sacred Heart Church, 6:00 P.M.



Adam Matthew Barnhill
Monte & Janet Barnhill



Stephen Charles Bartush
Chuck & June Bartush



Allison Marie Bayer
Leonard & Patti Bayer



Lucas Matthew Bayer
Clinton & Barbara Bayer



Joseph Paul Becker
Paul & Brenda Becker



Tyler Rand Bradley
Dale & Julie Felderhoff
Larry Bradley



Duncan Gilbert
Campbell, Jr.
Robert & Yvonne Ambrose



Carrie Ann Coker
J.D. & Gloria Coker



Deann Denise Felderhoff
Ross & Janet Felderhoff



Vincent John Felderhoff
Pam & Gary Knabe
Mike Felderhoff



Russell Benjamin
Michael Fette
David & Pam Fette



Lucien James Gehrig
James & Cindy Gehrig



Patrick Joseph Miller
Robert & Betty Miller



Matthew Leo Muller
W.C. & Doris Muller



Joseph Edward Reiter
Gerald & Rosalie Reiter



Leah Marie Rigler
Michael G. & Michael A.
Rigler



Charles Frank Schilling
Duwayne & Sharlene Schilling



Thomas Daniel Smith
T. Scott & Marcia Ann Stelle
Smith



Maria Elizabeth Treviño
Liborio & Agustina Treviño



Amy Marie Truebenbach
Allen & Carla Truebenbach

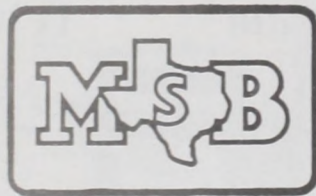


Debra Lee Voth
Danny & Janet Voth



Nicholas John Yosten
James & Susan Yosten

Congratulations, Grads, and Good Luck!



Muenster State Bank



201 N. Main, Muenster, 817-759-2257

Congratulations
GRADUATES!

Good Luck
as you pursue
your "investment"
in the future.

WALLACE INGLISH, CFP

117 N. Commerce Gainesville (940) 665-5863

Muenster ISD Honor Roll

**Sixth Six Weeks
"A" HONOR ROLL**
1st Grade (Mrs. Hess)
Antonio Acuna, Christina Hale,
Tyler Pagel, Delana Sicking,
Christopher Valliere, Natalie
Valliere, Steven Valliere, Sara
Walterscheid, Natali Yosten.
(Mrs. Klement) Scott Endres,
Eric Hellman, Amanda Hundt,
Jackie Klement, Abigail Loyd,
Jeremy Lutkenhaus, Corey
Sicking, Levi Trubenbach.
2nd Grade (Mrs. Fredrick)
Shelby Anderson, Brandy
Dangelmayr, Jordanne
Hellman, John Rohmer. (Mrs.
Heers) Noel Barnhill, Brandon
Bindel, Paul Crabtree,
Samantha Endres, Gretchen
Gregory, Stacie Knabe,
Madchen Moseley, Joshua
Sicking.

3rd Grade (Mrs. Endres)
Adam Frederick, Ricky
Grewing, Cassie Hale, Megan
Harrison, Laura Heers, Dillena
Hundt, Alison Teafatiller, Lee
Walterscheid. (Mrs. Popp)
Caitlyn Barrett, Christina
Eckart, Emily Endres, Cletus
Fuhrmann, Cameron Gilliland,
Craig Grewing, Rebecca
Grewing, Alex McGehee, Alison
Miller, Kim Patel, Lindsey
Watson.
4th Grade (Mrs. Schneider)
Brad Endres, Zack
Swirczynski, Krystal Wolf.
(Mrs. Walterscheid) Megan
Felderhoff, Amber Fuhrmann,
Michael Valliere, Collin
Walterscheid.
5th Grade (Mrs. Hale)
Bindel, Katie Endres, Kellym
Martin. (Ms. Hettler) Danelle

Endres, Ryan Fuhrmann.
"B" HONOR ROLL
1st Grade (Mrs. Hess)
Winter Dittfurth, Allen Fette,
Andrew Koesler, Pierce
Morrill. (Mrs. Klement) Ashton
Barrett, Toby Dyess, Taylor
Miller, J.D. Tankersley.
2nd Grade (Mrs. Fredrick)
Brooklyn Caldwell, Abe
Fuhrmann, Jenni Luke,
Elizabeth Martin, John
Monday, Brett Morris, Seth
Pierce, Holly Rohmer. (Mrs.
Heers) Shelby Hess, Jon
Roberts, Alex York.
3rd Grade (Mrs. Endres)
John Cowden, John Crabtree,
Johnny Green, Heather
Harrison, Anna Hopper, Taryn
Schinigo, Hillary Swirczynski,
William Vogel, Anne
Walterscheid. (Mrs. Popp)
Jessica Fisher, Matthew



Harrison, Garrett Hennigan.
4th Grade (Mrs. Schneider)
Kyle Caldwell, Renee
Dittfurth, Jessika Hartman,
Evan Koesler, Jayna Rohmer,
Kalyan Rohmer, Stevie
Tankersley, Bret Walterscheid.
(Mrs. Walterscheid) Megar
Dangelmayr, Derek Endres,
Haylee Hess, Patrick
Lutkenhaus, Dustin Wimmer.
5th Grade (Mrs. Hale) Jenn
Endres, Jenna Felderhoff,
Brianna Fleitman, Jace
Koelzer, Nathan Privett, Keith
Walterscheid. (Ms. Hettler)
Matthew Abney, Sandy
Endres, Meredith Hennigan,
Chris Moster, Roman Vogel.

School News



Presentation of the Sweepstakes Trophy to Lindsay High School UIL Coaches, from left, Mary Holland, Billy Sicking, Bobby Hawthorne - UIL Austin, Craig Hertel, Betsy Fleitman, Phyllis Tucker, E. J. Schaad, Elaine Schad. Photo by Janie Hartman

Lindsay High School holds All-Awards banquet

Lindsay High School honored their students at their All-Awards banquet May 18. Highlight of the evening was the presentation of the Sweepstakes Trophy. Bobby Hawthorne of the University Interscholastic League in Austin awarded the Class 2A State Championship Trophy to the school. This was Lindsay's sixth state academic championship, winning Class 1A in 1992, 1993, and 1994, settling for runner-up in 1995 and 1996, then winning Class 2A in 1997, 1998, and 1999. "I don't know of any school that has a record of success like Lindsay," Hawthorne noted. "If this was football, CNN, *Sports Illustrated*, and everyone else would be covering this event tonight." Hawthorne continued, "The time these teachers devote to their students is phenomenal. It is great to be a community where parents push their children to success...and finally, you have fabulous kids."

Senior Emily Zimmerer welcomed everyone to the banquet. Earl Cunningham, Lindsay ISD School Board, gave a response, and Jennifer

Otto said the invocation.

After the meal, teachers, sponsors, and coaches each took their turn recognizing students. Craig Hertel gave special thanks for the success of bringing home another state championship. He thanked the students for "hard work in the classrooms - that makes you successful," the teachers "for instructing the students to show them how to work," and the parents, "you guys make good kids."

Another special recognition was made by Carrie Spruiell to four cross country runners. Abby Trammell, Sarah Trammell, Leah Hermes, and Stephanie Fleitman were all awarded membership to the new Lindsay 1000 Mile Club, for running 1142 miles (give or take a mile) over the past three cross country seasons.

The presentation of awards, including sports, spirit, honor roll, UIL, academics, and class awards were presented by Principal Gary Hamilton and Superintendent Travis Winn. Winners of class awards were: Physical Science, Nabeel Anwar; Biology I, Michael

Kendall; Chemistry I, Leah Hermes; English I, Jennifer Wilson; English II, Courtney Miller; English III, Jonathan Whitaker; English III AP, Dianna Schad; World History, Abbas Ravjani; U.S. History, Tommy Arendt; Geography, Ashley Privett; Journalism, Sarah Collis; Computer Science, Michael Kendall; Business Computer Information Systems (BCIS), Leah Hermes; BCIS II, Jonathan Whitaker.

Personal and Family Development, Kristan Tucker; Preparation for Parenting, Deanna Meurer; Pre-Calculus, Daniel Hellinger; Spanish II, Diana Schad; Spanish I, Deanna Meurer; Geometry, Jennifer Wilson; Algebra I, Chelsea Brewer; Algebra II, Jonathan Bengfort; Health, Faith Skinner; Freshman Ag Science, Jeff Kendall; Sophomore Ag Science, Justin Sicking; Junior Ag Science, Jo Sparkman.

Senior class awards will be presented at graduation.

Joey Wilson gave the Benediction to close the evening's event.

Muenster FHA recognized at banquet

Muenster's FHA chapter celebrated the end of a very successful year by honoring theirs at their annual FHA banquet on Thursday, May 13. The banquet, themed "Over the Rainbow," was held in the HS cafeteria. Decorations included a Wizard of Oz theme with rainbow colored cloths, flowers, confectionery, and candles on tables. A yellow brick road path separated members' and guests' tables from the head table and led to a decorated scene depicting Dorothy's house and what remained of the wicked witch. At each place setting were programs carrying the rainbow theme and a cash flower for each mother or guest.

President Dolly Patel thanked everyone for attending and introduced Vice President Dee Walterscheid who welcomed members and their guests. Robyn Walterscheid pondered to her daughter's income on behalf of the members. Parliamentarian Lacy Endres gave the invocation to begin the meal. A member introduced his or her mother or guest.

After the introduction, the meal was served by eighth grade Skills for Living

students. The food was all prepared by Home Economics students and consisted of smoked turkey with barbecue sauce, dill pickle spears and baby carrot sticks, green bean casserole and cheesy potatoes, dinner rolls and angel food cake with strawberries and whipped cream. Mrs. Anita Luttmer and Mrs. Dorothy Endres put the finishing touches on the meal at serving time.

Following the meal, recreation leaders, Polly Fette and Kristin Grewing recognized and presented certificates to Stephanie Bierschenk, Jaclyn Bell, Melinda Fanning, Kerry Fleitman, Mendy Gieb and Dolly Patel for their participation in FHA all four years. Kristen Fleitman received a certificate for achieving her second level of FHA's national Power of One program. The last special recognition went out to the 1999 Muenster High School Home Economics Who's Who nominees. Stephanie Bierschenk, Jackie Henschel, Raegan Koessler and Dolly Patel.

Reporter Darren Hennigan gave a comprehensive project report for the organization.

Activities for the year included: installation ceremony for officers and new members, cookie baking with Kindergarten students, The Great American Smoke-out, Christmas gifts fund-raiser, Christmas meal for MHS faculty support staff and school board members, adopting two "little angels," observing National Vocational Education Week with FHA Week activities and participation in the Cooke County Youth Fair.

Entertainment was provided by freshman Personal and Family Development students who modeled their sewing projects completed in class. Students modeling were KayLee Price, Kim Klement, Ashley Klement, Lacy Endres, Crystal Lutkenhaus, Shanelle Spikes, Jennifer Reid, Laura Drachenberg, and Krystal Hale. Quilting projects completed by other FHA students were displayed also.

The evening ended with special thanks and gifts presented to the cooks, servers and chapter advisor, Mrs. Joni Sturm, by Treasurer Courtney Haverkamp and Secretary Jackie Henschel. The benediction was provided by Historian Raegan Koessler.

Harris graduates at top of class

Holly Ann Harris, daughter of Rebecca Harris and the late Curtis Lavan (Van) Harris of Jo, graduates May 28 as valedictorian of Saint Jo High School. Holly is the granddaughter of Coy and Mary Nell Mosley of Saint Jo and the late Prentis Harris of Saint Jo.

Holly has served as president of the National Honor Society her senior year, been on the academic "A" honor roll four years, named Who's Who Among American High School Students, All American Scholar, America's Champion Athlete, received the United States National Mathematics

Award, National History and Government Award, was regional golf qualifier three years, UIL Literary Criticism District Champion her senior year, class favorite three years, homecoming nominee three years.

She participated in the AISE foreign exchange program to Australia in the summer of 1997, and participated in basketball for Sports Challenge International in Belgium in the summer of 1998.

Her senior year she was elected 1st Team All-District and Academic All-District in both basketball and volleyball, and voted by her peers as Most Likely to Succeed, Best Dressed, Most Dependable, Best Personality, Most Athletic, Best Smile, Friendliest, and Campus Favorite.



Holly Ann Harris

Holly will be attending Texas Christian University in Fort Worth in the fall to major in business/computers or fashion merchandising/promotions.

Sivells Bend Honor Roll

- 6th Six Weeks "A" HONOR ROLL**
 Grade 3 - Sally Baugh, Lauren Condra, Nathan Martin, Bradley Teel.
 Grade 4 - Michelle Locke, Jeffrey McLaughlin, Brad Baugh.
"A" HONOR ROLL
 Grade 1 - Jesse Kimberling, Kristin Martin, Abby Skinner, Lauren Mae Staten, Jennifer Giles, Wesley Daubenspeck.
 Grade 2 - Ross Autry,

- Susana Cervantes, Kristy Marsh, Anna McCourry.
 Grade 3 - Adam Richey, Courtney Martindale, Corrie Marsh.
 Grade 4 - Heather Shelby.
 Grade 5 - Jarrod Richey, Tiffany Martin, Matt Locke.
 Grade 6 - Haydn Vestal.
 Grade 7 - Jessica Langford, Wesley Campo, Jesse Cole, Estrella Martinez, Josh Porter.
 Grade 8 - Josh Ferguson, Kenna Mask, Brady Howell.

Jarrod Lee Klement is graduate

Jarrod Lee Klement, son of Lyle and Margie Klement of Bokchito, Oklahoma, and grandson of Adam and Alma Wolf, and Ray and Irene Klement all of Muenster, graduated from Rock Creek High School on May 20, 1999 as Co-valedictorian of his class. He was awarded an honors scholarship for four years to Oklahoma State University.

Attending the ceremony were his parents, his brothers, Lance and Tyler, and his sister Rae Ann. His other sister, Trisha was unable to be with the family group, since she recently accepted an Agricultural Journalism internship with a firm in Wisconsin. Also attending were



Jarrod Lee Klement

Adam and Alma Wolf, Eric Miller, and Krystal Wolf all of Muenster, and Kim and Randy Wolf of Southlake, Texas.

Sivells Bend ISD honors students

On the evening of May 20 at 7:00 p.m., parents, teachers and friends gathered to honor the students of Sivells Bend ISD for the 1998-99 school year. All students who received awards for academics and athletics during the school year were applauded by their friends and families. Those students recognized for achievement included academic recognition for TAAS, UIL awards, and some art shows.

Also, the Student Council was recognized for their efforts throughout the year. The council is composed of officers from the graduating class and a representative of each grade level. They thanked their

sponsor, Diane Baugh and presented a gift to Mr. Martindale, president of the Volunteer Fire Department of Sivells Bend Community.

The following students were graduating to high school: Josh Ferguson, Brady Howell, Kenna Mask, Taylor Lewis and Dianna Williams. Brady Howell holds the top scholastic average for this class. Everyone at Sivells Bend wishes a successful educational continuation for these students. The evening ended with refreshments and visiting between the students and families.



Emily Zimmerer

America. She is serving as the Vice-President of the Pep Club, One Act Play Stage Manager, Editor of the Annual Staff, and Treasurer for the Future Homemakers of America.

Emily has attended the State UIL academic meet several times in Current Events and Journalism Events including News Writing, Feature Writing, and Editorial Writing. She was the UIL State News Writing Champion in 1999 and on the 1996 UIL Current Events Champion Team. She won Outstanding Technician at State Level for One Act Play in 1998. She also won the Head Start Volunteer Award in 1997 and was a finalist for the DAR Good Citizen Award in 1999.

Emily's parents are Rudy and Claudia Zimmerer.

Enjoy Good Health

LASER POINTERS

Though considered safe when properly used by teachers and speakers to indicate areas on charts or screens, laser pointers can cause problems when used as toys or by pranksters, state health department officials are warning.

While laser pointers are not powerful enough to cause permanent damage unless they are defective or have been tampered with, temporary damage can occur if a laser pointer is shined directly in the eye for several seconds. Greater danger comes from being blinded, distracted or uncertain of the source of the beam and from what can happen as a result of being blinded, distracted or panicked. Drivers blinded by laser beams could wreck, injuring themselves and others.

Pranksters are using the pointers to annoy, distract and scare others by shining them on theater screens, at athletes and spectators during sporting events, at passing motorists and by using them to mimic the red laser beams used to aim high-powered weapons.

Drastically reduced prices have led to wider marketing and use of the pointers, you can even find them in the toy sections in some toy stores. However, laser pointers are *not* toys and parents need to know this.

Some schools in Texas have banned laser pointers from campuses and school-sponsored events. Legislation is pending in California, New Jersey, New York and Texas that would make it illegal to aim laser devices at law enforcement and other uniformed safety officers.

The term later originated as an acronym for Light Amplification by Stimulated Emission of Radiation.

Compliments of
 Yvonne Ambrose FNP-C
Family Health Clinic
Lindsay Health Clinic

SUMMER DANCE CLASSES

Session I June 14 - July 2 (M&W)
 Session II July 12 - 31 (M&W)

TAP ★ BALLET ★ GYMNASTICS
 CLOGGING ★ KINDERDANCE
 ★ PRIVATE ★

Muenster School of Dance
 209 N. Main • Muenster, Texas • 759-2548

Competitive Prices

Fast, Friendly Service

GAINESVILLE PROPANE, INC.

P.O. Box 416 • Gainesville, Texas 76241
1-800-433-5593
1-940-668-8518

SIGNAL SECURITIES INC.

Eddie Yetter
 Registered Representative

Member: NASD, MSRB, SIPC
THE FIRST NATIONAL BANK
 Muenster Branch
 519 E. Division 940-759-2218

INVESTMENTS
 MUTUAL FUNDS
 IRAs

F M W
 INSURANCE AGENCY

For all your insurance needs

Drawer O, 204 N. Main, Muenster, TX
940-759-4644

MISD Elementary takes 1st in District UIL Competition

Five area elementary schools, Muenster, Saint Jo, Era, Windthorst, and Petrolia, competed in the 14A North Zone District UIL meet on April 16 and 23. Era ISD hosted the meet.

Muenster Elementary took top honors with a total score of 551.33 points. Windthorst followed with 491.66 points. Other scores were Era 331, Petrolia 178, and Saint Jo 142.

"Our kids did a super job," said Muenster Elementary Principal Gwen Trubenbach. "The teachers, coaches, and parents did a good job in preparing them. It was a good competition. The students learned a lot."

A teacher from Windthorst remarked to a Muenster teacher that this was the first

time in 20 years that Windthorst had lost first place and wouldn't take a trophy home.

Muenster students placing and the event are as follows:

Creative Writing: Brandy Dangelmayr, 5th.

Dictionary Skills: Hayley Hess, 2nd place tie; Jenna Felderhoff, 2nd place tie; Jenni Endres, 5th place tie; Tara Swirczynski, 1st; Joanna Felderhoff, 3rd; Stevie Klement, 4th.

Maps, graphs, & charts: Keith Walterscheid, 2nd; Michael Eckart, 3rd; Nathan Privett, 4th; Clint Miller, 3rd; Craig Hopper, 4th.

Mathematics: Clint Miller, 1st.

Number Sense: Travis Felderhoff, Derek Felderhoff,

1st; Sean Fuhrmann, 4th.

Oral Reading: Bret Walterscheid, 3rd; Jordan Ledbetter, 6th; Katie Endres, 1st; Danielle Bindel, 6th; Lana Fisher, 2nd.

Ready Writing: Alison Teafatiller, 1st; Laura Heers, 2nd; Dillena Hundt, 6th; Krystal Wolf, 1st; Evan Koesler, 4th; Megan Felderhoff, 5th; Ryan Fuhrmann, 2nd; Kelly Endres, 4th; Tara Swirczynski, 4th; Shellby Joliff, 6th.

Story Telling: Kaylyn Moster, 6th; Alison Miller, 4th; Allison Teafatiller, 6th.

Art: Team of Brad Endres, Evan Koesler, Amber Fuhrmann, and Krystal Wolf, first place; Team of Dustin Wimmer, Malcolm Martin, Travis Felderhoff, and Jenna Felderhoff, third place.

Calculator Applications: Muenster, 4th; Clint Miller, 6th.

Listening Skills: Ryan Fuhrmann, 1st place tie; Dustin Wimmer, 4th; Derek Felderhoff, 1st place tie; Sean Fuhrmann, 4th; Clint Miller, 6th.

Music Memory: Team of Nathan Privett, Brianna Fleitman, Michael Eckart, and Ryan Fuhrmann, first place; Team of Ryan Hennigan, Patrick Lutkenhaus, Derek Endres, Sean Fuhrmann, and Justin Wolf, second place.

Spelling: Kim Patel, 1st; Christina Eckart, 3rd; Laura Heers, 4th; Megan Felderhoff, 1st; Michael Valliere, 3rd; Jordan Walterscheid, 5th; Michael Eckart, 6th; Whitney Watson, 1st; James Fanning, 2nd; Derek Felderhoff, 2nd.



Sacred Heart Class Award winners, from left, seated - Joanna Gehrig, Gina Yosten, Debra Dangelmayr, Michelle Fuhrmann, Sarah Hess, Melissa McCarty, Adam Klement, Kelly Fettsch; back - Keith Felderhoff, Nicholas Taylor, Lee Skinner, Stephen Hofbauer, Jackie Bartush, Sara Sepanski, Kristen Yosten, Kendall Sellers, and Elizabeth Fette. Not pictured Grace Cochran and Travis Bayer. Photo by Dave Fette



Achievements highlighted at SH All Awards banquet

Sacred Heart High School students were the honored guests of the Sacred Heart Alumni & Supporters for the Annual All Awards banquet on May 19. The event was held in the Sacred Heart Community Center.

John Bartush, SH Alumni & Supporters president, welcomed the students and other guests. Principal Jack B. Murdock served as Master of Ceremonies for the evening.

Teachers announced Class Award winners for freshmen through juniors. Accepting awards were Kristen Yosten - Algebra I; Sara Sepanski - Algebra II, Religion I, Physical Science, World History, and English I; Glen Gleason - Algebra II; Keith Felderhoff - Geometry and U.S. History; Jacqueline Bartush - Religion II, English II, and Biology; Elizabeth Fette - Geography; Spanish I - Joanna Gehrig; Gina Yosten - Spanish II,

Religion II, Music, and Advanced English Literature; Debra Dangelmayr - Comprehensive Homemaking; Sarah Hess - Journalism I; Lee Skinner - Music; Grace Cochran - Theater I Acting; Stephen Hofbauer - Earth Science; Michelle Fuhrmann - English III; Travis Bayer - Theatre I Tech; Kelly Fettsch - Health; Adam Klement - Computer I; Nicholas Taylor - Speech; Kendall Sellers - Drama; and Melissa McCarty - Theatre II Tech.

U. S. History Password award winners were Dana Miller and Jacqueline Bartush - Sara Rogers and Andrea Bauer were the Geography Password winners.

Dr. Murdock presented honor roll, UIL awards and other academic awards achieved during the year.

Coach Tom Frazier reiterated awards previously announced for football and basketball. He presented

awards earned for football during the 1998 season. Awards besides those already published were also presented. Jeff Hartman was named Heart of the Tiger. Adam Barnhill and Duncan Campbell shared the Most Valuable Player award. The Coaches award went to Russell Fette. Jonathan Yosten earned the Most Improved award.

Additional basketball awards presented by Coach Frazier were Jonathan Yosten Most Valuable Player and Chris Smith Most Improved.

Coach Jon LeBrasseur restated highlights from the SH Tigerettes basketball season.

It was announced that Gina Yosten and Sarah Kelly have received scholarships to participate in the 1999 MSU McMurry Center Summer Workshop Program.

The evening closed with a prayer.

Fette continued from Pg. 1

Letterman's Club all four years of high school. He served as secretary for the organization this year. He was also a member of the National Honor Society and the Drama Club in grades 10 through 12. Russell had lead roles in the school's productions of "Li'l Abner", "Into the Woods", and "A Fiddler on the Roof". He took first place District Male Solo in TAPPS 1-2A and fifth place State Male Solo in TAPPS 1-2A as a senior.

Athletic participation for Russell included football, basketball, and track all four years. He earned letters in these sports each of the four years. In football Russell was named All District Offensive Lineman as a junior and All District and All State Offensive Lineman as a senior.

During his freshman, junior, and senior years Russell participated on the swim team. He lettered the last two years. The swim team won the TAPPS State Championship his junior year. The track team won the district championship when Russell was a freshman, sophomore and junior.

An active member of the Student Council all four years, Russell served as president of the organization his junior year and vice-president his senior year.

An active member of the Boy Scouts, Russell earned his Eagle Scout award in 1997. He has given many hours of volunteer service to his school, church, and community.

Awards bestowed on Russell include National Merit Commended Scholar, Top 10 finalist from State of Texas in 1998 Christian Athlete of the Year, and Texas Association of Secondary School Principals All State Academic Team finalist in 1999. Russell attended the U.S. Air Force Academy of Summer Scientific Seminar in 1998. He represented his school at the HOBY Leadership seminar in 1997.

Scholarships awarded to Russell include Texas A&M President's Endowed Scholarship, Galen Brown Foundation Scholarship, Texas A&M Corps of Cadets

Commandant's Leadership Award, Marine Corps ROTC Scholarship and Air Force ROTC Scholarship at TAMU, V. J. Patel Community Service Scholarship, and the GNB Scholarship.

Russell received appointments to the U.S. Air Force Academy, Colorado Springs, the U.S. Naval

Academy, Annapolis, and U.S. Military Academy, West Point. He plans to attend the U.S. Air Force Academy and major in Aerospace Engineering and to eventually go to flight school and become a pilot.

Just A thought

Taking it easy for awhile is being a friend to yourself.

Miller continued from Pg. 1

organization his senior year. He has consistently been on the Principal's Honor Roll every quarter during his high school career.

Patrick has been active in Student Council all four years of high school and served as the junior class representative his junior year. He was a member of the Spanish Club and served as secretary. He also was elected treasurer of his Sophomore class.

Active in athletics, Patrick participated in basketball, football, and track and lettered in each sport all four years. He was captain of the basketball team this year. He is a four year member of the Letterman's Club. He was named an Academic All Star in Basketball in 1999, Most Improved Boys' Basketball Player as a junior, All Area Academic Team in Football for 1998, and Most Improved Athlete as a sophomore. Patrick received All District honorable Mention in Football and Basketball. He was named

District Defensive Lineman as a senior.

Patrick has served his parish as an altar server for nine years and a Eucharistic Minister for two years. He has participated in the Life Teen program all four years. He is also a two year member of the Squires. He also represented Sacred Heart Parish at the Diocesan Youth Council for three years. At school he assisted with tutoring several students this year.

Scholarships won by Patrick include President's Endowed Scholarship from Texas Tech for \$4,000 renewal for five years, Moms' and Dads' Exes Val-Sal Scholarship for Texas Tech, Wal-Mart Community Service Scholarship. Also an offer of an Engineering Scholarship and President's Scholarship to OU.

Swimming Pool opens Saturday

The city swimming pool opens at 1:00 p.m. on Saturday, May 29. Normal swimming hours are Tuesday through Sunday, 1:00 p.m. - 7:00 p.m. Mondays at these times are Ladies Only swim days. However, the swimming pool will be open to the public on Memorial Day, Monday, May 31, 1999. The daily entrance fee is \$1.50 per person.

Swimming pool parties may also be arranged with the Swimming Pool Manager, Leigh Ann Reiter, 759-4393. Pool parties cost \$35 an hour, with a two hour minimum. If a large crowd is expected, then the cost may be more if additional lifeguards are required for that time period.

Facts About Skin Cancer

Although rare, the potentially deadly melanoma skin cancer can develop in the childhood or teenage years.

COW POKES By Ace Reid

<http://www.cowpokes.com>

"When you called these cattle prime you must've been talkin' about prime soup bones."

Chain banks are SKIMPY with their CUSTOMER SERVICE! At FNB CUSTOMER SATISFACTION is our NUMBER ONE priority!

FNB FIRST NATIONAL BANK FDIC

of Saint Jo (940) 995-2556 Saint Jo, Texas
Muenster Branch (940) 759-2218 Muenster, Texas
You'll Appreciate Our Attitude

Lindsay High School Class of 1999

Graduation Ceremonies, Friday, May 28
St. Peter's Centennial Hall, 8:00 P.M.



Andrea Abril Aberasturi
Carmen & Eddie Aberasturi



Melissa Dawn Alexander
Dale Ray & Natalie Alexander



Richard Edward Alfrey
Richard & Diane Alfrey



Christopher Anthony Anderle
Mark & Anitra Anderle



Amy Kathryn Arendt
David & Sharon Arendt



Anna Louise Bayer
Melvin & Mary Jean Bayer



Jeffrey John Bezner
Barbara & Skipper Bezner



John Bezner
Will & Catherine Bezner



Darla Daniele Dudenhoeffer
Daniel & Darlene Dudenhoeffer



Sarah Katherine Eberhart
Tom & Patty Eberhart



Brandi Michelle Fuhrmann
Kenneth & Shirley Mitchell



Erica Gayle Fuhrmann
Michael & Carol Fuhrmann



Clinton Edward Gallagher
Eddie & Corie Gallagher



Christopher Wayne Garner
Kerry & Connie Garner



Lambert John Hess
Paul & Lillian Hess



Amy Michelle Hoberer
Tom & Pam Hoberer



Anthony Hoberer
Gene & Waynell Hoberer



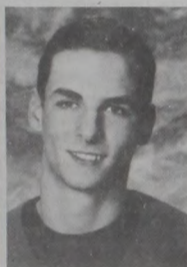
Stacey Leann Hogan
Raymond & Toni Hogan



Virginia Rose Huchton
David & Margie Huchton



Rachel Anne Laster
Mark & Margie Laster



David Randall Leonard
Marcus & Becky Leonard



Patrick Alan Lusk
Rita Lusk
Alan Lusk



Elizabeth Erin Luttmr
Roger & Carol Luttmr



Casey Marie Metzler
Glenn Metzler
Susie Evans



David James Metzler
Jim Metzler
Jearl Whitfield



Michael Shane Mosman
Ronnie & Donna Mosman



Brian Thomas Neu
Tommy & Michelle Neu



Corey Daniel Neu
Ronnie & Becky Neu



Dylan Ray Newberry
Donnie & Stephanie Newberry



Karlee Anne O'Dell
Joe & JoDee O'Dell



Jennifer Jane Otto
Mike & Jane Otto



Nickolas Evan Price
James & Kathy Price



Leah Rachelle Rimmer
Bert & Tammy Rimmer



Amy Jo Sandmann
Diamond & Debbie Sandmann



Emelia Louise Schad
Edward J. & Elaine Schad



Levi Brandon Seeds
Randy & Brenda Seeds



Cathy Lee Smith
Jerry & Linda Smith



Suzette Toleron Smith
Jesusita T. Smith



Gayle Nicole Walterscheid
Kimberly Walterscheid
Bert Walterscheid



Jeffrey Todd Wilson
Jerry Dean & Shirley Wilson



Joseph Brandon Wilson
Les & Janie Wilson



Emily Catherine Zimmerer
Rudy & Claudia Zimmerer



Mark Joseph Zimmerer
Pat & Annie Zimmerer

Brown Motor Company, Inc.

Serving North Texas For Over 67 Years

940-665-5591

800-865-5591

Monday - Friday 8 A.M. - 6 P.M. Saturday 8 A.M. - 5 P.M.

1608 West Highway 82

Gainesville, Texas

www.brownmotorco.com



CHEVROLET

PONTIAC

BUICK

GMC TRUCK

Paint & Body Shop For All Your Needs



3 miles north of Hwy. 82 on FM 1200
665-1112

AUTO·HOME·LIFE

HELPING YOU is what we do best.

John S. Bartush
213 N. Main, Muenster
940-759-4052



COOKE COUNTY ELECTRIC COOPERATIVE

940-759-2211

Sports

MHS students nominated for 1999 Wendy's Heisman

Two Muenster High School Juniors, Kelly Felderhoff and Casey Walterscheid, have been nominated for the sixth annual Wendy's High School Heisman Award.

A panel of judges, which includes Heisman Memorial Trophy recipients, and community, education, and business leaders, will name 12 national finalists from six geographic regions. The national awards program was created by Wendy's, the National Association of Secondary School Principals, and the Downtown Athletic Club of New York City. Students are recognized for academic achievement, community service, and athletic accomplishments.

Kelly was named to MHS All-Year Academic Honor Roll, and participated in numerous UIL academic events. Besides

being a Hornet cheerleader, she is a member of the National Honor Society, PALS, a student council officer, and a member of the Lady Hornet basketball, track, and cross country teams. She was named Lady Hustling Hornet for 1999.

Casey is the president of his class, a UIL participant, including the one-act play, a member of National Honor Society, PALS, and is a student council officer. He is a member of the Hornet football, basketball, track, and cross country teams, and was named 1999 Hustling Hornet. He also had a perfect attendance record this past school year.

Both Kelly and Casey assisted in the Muenster Proud clean-up campaign.

Channel 5 TV station may feature the area nominees on their Saturday evening Brian's Best sports shows.



Sarah Hess competing with Ranger.

Courtesy photo

Sarah Hess wins big in 4-H horse show

Sarah Hess competed in the Cooke County 4-H Horse Show on Saturday, May 22. Showing two horses, "Apache" and "Ranger," she won 15 ribbons and was the Reserve Champion High Point winner, bringing home a Montana Silversmiths belt buckle. She captured four 1st place Blues, four 2nd place Reds, three 3rd place Yellows, three 4th place Whites, and

one 5th place Pink. She was also awarded 100 pounds of free feed from the Mountain Springs Feed Store, and a 15% off Gift Certificate from Smit Brothers of Denton.

Sarah is a Junior at Sacred Heart High School, and the daughter of Bob and Janet Hess. She got her first pony at the age of five and has been riding for 12 years.

Sacred Heart golf tournament to tee off

On June 6, the Gainesville Municipal Golf Course will be the site of the 1999 Sacred Heart Alumni Golf Tournament. The 4 person scramble event is open to anyone and mixed teams are welcomed.

The entry fee for the fundraising event is \$200 per team. Cash prizes will be awarded for flight winners along with

prizes for the longest drive and closest to the pin. Drawing will be held for door prizes. The \$200 entry fee includes green fee, cart, lunch and drinks.

To register for the event please call Kenny Hartman at 940-759-4972. Deadline to register is June 1. Golfers are asked to arrive at the course 45 minutes prior to the 8:00 a.m. shotgun start.

Use caution when handling feral swine

For hunters, the plentiful populations of wild (or feral) swine in Texas are a favorite, as there is no season on these animals. For domestic swine producers, farmers and ranchers, they pose a threat.

Feral pigs are capable of carrying and transmitting diseases, including swine brucellosis and pseudorabies.

One solution to the overpopulation of wild hogs is trapping for hunting. Texas Animal Health Commission regulations require that feral swine trapped for transfer be tested. Animals caught for sale to slaughter, need not be tested, but held in a facility from the time they are trapped, until they are moved to slaughter. To arrange for a free inspection to have a facility approved, trappers or other persons may call 1-800-550-8242.

When field-dressing feral swine, hunters should take precautions to avoid potential exposure to swine brucellosis,

parasites, or other diseases. Hunters should wear gloves and avoid getting swine blood in any open wound or skin lesion when handling the swine carcass. Anytime someone handles bloody animals, protection should be used to prevent blood to blood contact diseases. Don't expose yourself.

If thoroughly cooked, wild swine meat is safe to eat. The National Pork Producers Association recommends pork products be cooked to an internal temperature of 160 degrees F.



New North Texas National Trails Day Greenbelt opens June 5

The greenbelt, a wilderness area with approximately 10 miles of multi-use trails and waterways for bicyclists, equestrians, hikers, kayakers and others will hold its grand opening on National Trails Day, June 5.

The 1,500 acre Ray Roberts Lake/Lake Lewisville Greenbelt Corridor runs north/south along the Elm Fork of the Trinity River, connecting Ray Roberts Lake with Lake Lewisville. Various partners have contributed to the project. The U.S. Army Corps of Engineers and Denton funded the Greenbelt project. Texas Parks and Wildlife is operating the greenbelt in connection with its Isle Du Bois unit of Ray Roberts Lake State Park.

The \$3 million project is the

product of more than 16 years of work, begun in 1983 when the two cities asked the Corps to study the feasibility for a greenbelt corridor connecting the two lakes.

At 9 a.m. on Saturday, June 5, National Trails Day, the greenbelt grand opening festivities will commence as dozens of bicyclists, hikers, runners/walkers, horseback riders, and paddlers start at the north and south ends of the trail and move toward the middle.

The greenbelt begins at the Elm Fork Trail leading away from at the Isle Du Bois Unit on the south shore of Ray Roberts Lake near the community of Pilot Point. Heading south, the trail crosses under FM 455 and winds a little over a mile to the Elm Fork canoe and greenbelt access point, with parking and

restrooms. Here the trail joins the Elm Fork of the Trinity and splits in two, with one trail, a hard surface hike and bike trail, snaking along the river's west side and another for equestrian use along the east.

The two trails converge at the FM 428 access point. The trail then proceeds south another six miles along the river's east bank to end at the Highway 380 crossing at the headwaters of Lake Lewisville. On the southern portion of the trail, all users are on the East Side of the river. The hard surface trail is for hike and bike use and equestrians may use the construction haul roads.

Entrance fees to access the new greenbelt are the same as those for Ray Roberts Lake State Park - \$3 per adult, free for children age 12 and under. Payment is made on an honor system at "iron ranger" fee stations at the three trail heads.

On June 5, there will be free entrance to the Greenbelt and the grand opening activities. For more information about Ray Roberts Lake State Park/Isle Du Bois Unit, phone the park at 940-637-2294 or check the state park pages on the TPW web site at www.tpwd.state.tx.us

PUBLIC NOTICE OF MEETINGS

JOINT MEETINGS OF THE CITY COUNCIL OF THE CITY OF MUENSTER AND THE BOARD OF DIRECTORS OF THE MUENSTER WATER DISTRICT

will be held at the Municipal Conference Room at City Hall, 400 North Main Street, Muenster Texas at 7:00 p.m. on Monday, June 7, 1999, and at 5:30 p.m. on Tuesday, June 15, 1999, to discuss the following:

RESOLUTION AUTHORIZING THE ANNEXATION OF CERTAIN TRACTS OF LAND INTO THE CITY LIMITS OF MUENSTER AND INTO MUENSTER WATER DISTRICT

The territories to be annexed are described below:
Charles Dill's property on South Ash Street. All of Lot 11 of the Southtown Subdivision No. 2 in Cooke County, Texas, as more particularly set out in the Plat Records of Cooke County, Texas in Cabinet A, Slide 348-T.

Felderhoff Brothers Drilling Company on East Eddy Street. All that tract or parcel of land situated in Cooke County, Texas, being out of Block 1 and 2 of the John Barnett Survey, Abstract No. 42 in Cooke County, Texas, and being more particularly described as follows:

BEGINNING at a point on the South boundary line of Eddy Street in the City of Muenster, Cooke County, Texas, at a point that is 188 feet West of its intersection with the East boundary line of Block No. 1 of said Barnett Survey;

THENCE South 390 feet, more or less, to a point on the South right-of-way of the Missouri-Kansas-Texas Railroad Company, being the Southwest corner of a tract of land conveyed to Vincent Felderhoff and Alphonse Felderhoff by deed recorded in Volume 532, Page 575, Cooke County Deed of Records;

THENCE Southeast along the South boundary line of said right-of-way, 190 feet to point for corner, at the Southwest corner of a tract of land conveyed to Vincent Felderhoff and Alphonse Felderhoff, dba Felderhoff Brothers Drilling Company, recorded in Volume 568, Page 230, Cooke County Deed of Records;

THENCE East 100 feet to point for corner;

THENCE North 445 feet, more or less, to point for corner on the South boundary line of said Eddy Street in the City of Muenster, Texas;

THENCE West along the South boundary of said Eddy Street, 288 feet, more or less, to the point of beginning; being the Third, Fourth, and Fifth Tracts described in a quitclaim deed to Felderhoff Brothers Drilling Company, Inc., dated August 20, 1996, recorded in Volume 950, Page 563, Cooke County Official Public Records.

City Ballfield Tract on North Mesquite Street. Field notes of a certain 20.60 acre tract of land in the J. Trussell Survey, A-1732 and the T. Scott Survey, A-900, in the west central Cooke County, Texas. This 20.60 acre tract of land is the east part of a called 62.4 acre tract (save and except one acre in the form of a square in the southwest corner) owned by Frank Schilling. Ownership of this tract is by Warranty Deed from Albert Schilling et al to Frank Schilling, said Deed being recorded on 1-31-1942 in Volume 262, Page 249, Deed of Records, Cooke County, Texas, which conveys the east 41.6 acres of the call 62.4 tract AND by Warranty Deed from John C. Schilling and wife Jennie Schilling to Frank Schilling said deed being recorded 6-27-1944 in Volume 286, Page 39, Deed of Records, Cooke County, Texas, and conveys the west 20.8 acres of the called 62.4 acre tract.

This 20.60 acre tract is more specifically described as:
BEGINNING at a set iron spike at the intersection of County Road 428 and County Road 423 (an extension of Mesquite Street) said spike being 381 feet east of the southwest corner of the F.P. Whiting Survey, A-1116 and on said Whiting Survey's south line and on the north line of the said Trussell Survey;

TRENCHE South 1,065.21 feet with County Road 423 to a set spike in the north R.O.W. of Ninth Street for corner;

THENCE South 89°34'47" West 824.12 feet with the north R.O.W. of Ninth Street (the north city limits of the City of Muenster) and a fence to an 8 inch wood post and set iron rod for corner;

THENCE North 02°02'00" West 1,064.40 feet with a wire fence to a set spike in the middle of County Road 428 and on the south line of the G. Ivy Survey, A-516 and the north line of the said J. Trussell Survey;

THENCE North 89°30'00" East 861.90 feet with County Road 428 to the Place of Beginning.

LESS AND EXCEPT the following tract of land, to-wit:
All that tract or parcel of land out of the J. Trussell Survey, Abstract No. 1732 and the T. Scott, Abstract No. 900 in Cooke County, Texas, being more particularly described as follows:

BEGINNING at a point 824.12 feet East of the intersection of the East line of Mesquite Street and the North line of Ninth Street in the City of Muenster, Cooke County, Texas, along the North line of said Ninth Street at an 8" wood post;

THENCE North 02°02'00" West 150 feet to point for corner;

THENCE East parallel with said Ninth Street 290.5 feet to point for corner;

THENCE South 150 feet, more or less to the North line of said Ninth Street to a point for corner;

THENCE West along the North line of said Ninth Street 290.5 feet, more or less, to the point of beginning, containing 1.00 acre, more or less.

MEMORIAL DAY SALE

ALL CARS & TRUCKS DRASTICALLY REDUCED!

<p>1999 Chevrolet Silverado Z-71 EXT CAB</p> <p>Huge Selection Save \$\$\$</p>	<p>1999 Chevrolet GMC Suburban</p> <p>Save Thousands!</p>
<p>1998 GMC Sonoma Reg. Cab</p> <p>Must Sell! Huge Discount!</p> <p><small>1 Available</small></p>	<p>1999 Buick Park Ave. Ultra</p> <p>\$2500 Rebate</p>
<p>1999 Chevy Cavalier Coupe</p> <p>\$1250 Rebate or 1.9%</p>	<p>1999 Buick Regal GS Sedan</p> <p>4.9% Through GMAC</p>
<p>1999 Pontiac Grand Am</p> <p>4.9% Through GMAC</p>	<p>2000 Buick LeSabre</p> <p>All New</p>

*1.9 Finance thru GMAC WAC 36 months. **4.9 APR thru GMAC WAC 60 months

Brown Motor Company, Inc.

CHEVROLET BUICK PONTIAC GMC TRUCK

Serving North Texas For Over 67 Years

Monday-Friday 8:00-6:00 Saturday 8:00-5:00

1608 West Highway 82 • Gainesville, Texas

940-865-5591 www.brownmotortco.com 800-865-5591

FOR SA...
 Call 940-...
 AVON: ...
 759-438...
 FOR BO...
 or Ge...
 Regis...
 WHIT...
 OVER...
 AND T...
 all the...
 Cheryl...
 688-812...
 Agric...
 PAPA...
 Any...
 955-92...
 M...
 Re...
 GA...
 S...
 A...
 328...
 GAR...
 M...
 Friday...
 29, 4...
 west...
 of Lo...
 MO...
 405 W...
 28...
 F...
 P...
 P...
 Muen...

LOOK HERE

To make some extra cash or to get a good deal ... CLASSIFIEDS!

CLASSIFIED WORD ADS ARE FREE!

Applies to individuals only (no businesses, please). Ads run 2 weeks free!

940-759-4311
OR FAX **759-4110**
DEADLINE WEDNESDAY NOON

MUESTER ENTERPRISE CLASSIFIEDS

WHEN YOU NEED TO BUY, SELL, HIRE ...

CLASSIFIED RATES

First Insertion (25¢ per word) min. ... **\$3.75**
Following Ins. (18¢ per word) min. **\$2.70**
Card of Thanks **\$7.50**
Display Rates: same as Regular Ads

Crafty Olde German Tea House
Lunch Specials
Mon. - CLOSED - Memorial Day
Tues. - Chili Relleno Casserole
Wed. - Oriental Chicken Salad
Thurs. - Smothered Steak
Fri. - Stir-Fry Chicken & Veggie Soft-Tacos
Sat. - Selections from our menu
Hours 11 a.m. - 2 p.m. • Saturday 11 - 2
216 North Main • Muenster • 759-2519

VICTORIAN LACE
218 N. Main Muenster, Texas 76252
Catherine J. Bartush - Otto
(940) 759-2363 Fax (940) 759-2304
Brighton, Lady Primrose & Eileen West Lingerie

IN STOCK
Electrical - Plumbing
Paneling - Roofing
Hardware - Water Pumps
Heating - Air Conditioning
We can recommend an installer
Muenster Building Center, Inc.
Muenster, 759-2232

NORTH TEXAS COMMUNICATIONS
• Southwestern Bell Wireless
• Pagers • Internet • CATV
• Long Distance Service
205 N. Walnut • Muenster • 736-2255
2200 E. Hwy. 82 • Gainesville • 665-3347

OR SALE
FOR SALE: Large, round bales oats straw - \$10.00 each. all 940-759-2739. 5.28.2P

VON: To buy or sell
von, call Evelyn Sicking, 59-4388. 7.4.22

OR HOME DELIVERY OF
ort Worth Star Telegram or Gainesville Daily Register, call DALE WHITE, 940-668-2743. 1.8.1X

OVER 60 USED CARS AND TRUCKS
available all the time at Holiday Chevrolet in Whitesboro. 38-8152 or (903) 564-3551. 1.10.1X

AGRICULTURE
FOR SALE: Couch, loveseat and chair. Call after 6 p.m., 940-768-2269. 5.21.2P

AUL J. HESS NO. 1
Kansas Alfalfa hay for sale. Any amount. 665-7601 or 65-9228.

SEWING MACHINES
Run like new. Repaired at ... **GAINESVILLE SEW-VAC**
Across from Post Office
328 E. California
668-9812

GARAGE SALE
Multi-Party Garage Sale today and Saturday, May 28, 8 a.m. to 7. First brick house west of Muenster Sale Barn. Lots of stuff and great prices. 5.28.1P

MOVING SALE
35 W. Ninth St., Friday, May 28; Saturday, May 29. Furniture, Appliances, Crafts, Fabric and some Antiques. 5.28.1P

FREE
uppies, 4 Blue Healer, 4 Australian Shepherd. Call 759-4972. 5.28.2P

FOR RENT
Red River Rental 665-4896
E. Hwy. 82
Gainesville
Contractors • Homeowners
Equipment Rental 5.24.1X

FOR RENT: HIGH PRESSURE
Sprayer, 2500 lbs. For removing paint etc. Muenster Building Center, 421 N. Main. 759-2232. 7.24.1X

BECKER DOZER SERVICE
Ponds • Clearing Land and more!
Paul Becker 759-2803
Muenster, TX 76252 or 759-4047

BRIDAL SELECTIONS FOR
Angie Hofbauer & Jeff Tempel
Tina Klement & Kenneth Walterscheid
Katrina Ing & Steven Knabe
Jill Kizer & James Bright

Brenda Stephenson & Cory Klement
Crafty Olde German
216 N. Main Muenster, Texas 759-2505 5.21.1X

Texas Department of Health
Bring Shot Record! Parent Must Be Present!
Date: **Monday, June 7, 1999**
Time: **9 A.M. to 11 A.M.**
Location: **Cooke Co. Co-op, E. Hwy. 82, Muenster**
Phone: **940-665-6397 (TDH)** 5.21.3

Septic Tank Cleaning
H&H Vacuum Service
Residential Mobile
668-7268 or 736-3448

TENDER LOVING CARE
Day Care Center. 759-4964. 4.4.1X

Carpet Cleaning - Window Washing
FREE ESTIMATES
Mark Wagner 995-2812

WAYNE'S PAINTING
Residential - Commercial
Tape Bed - Acoustic Work
WAYNE LANGSTON
940-759-5043
Mobile 940-727-1432 5.21.1X

WORK WANTED
J & D LAWN MOWING
Service in Gainesville.
Reasonable Rates. 668-2664 5.14.2P

CARPENTER WORK WANTED
Also odd jobs
Reasonable rates
Ernie Martin 759-4650 5.21.1X

For Septic Systems
ROEBIC K-37
Septic Tank Liquefier
A single treatment of this product prevents clogging of a septic tank and is guaranteed 5.21.2

Community Lumber Co.
200 E. Division • Muenster 759-2248

H & W Meat Co
State Inspection
WHOLESALE & RETAIL
MEATS
Custom Slaughter
Custom Processing
Wild Game Processing
Smoked Sausage
Every Day:
Hamburger \$1.39 lb.
30# + Hamburger - \$1.29 lb.
30# Box Beef - \$54.95
(1/3 Hamburger, 1/3 Steak, 1/3 Roast)
HAM • BACON • HALF OR QUARTER CARCASSES • AWARDS WINNING SMOKED SAUSAGES • SUMMER SAUSAGE • CUSTOM SLAUGHTERING BY APPT.
759-2744
605 N. Moquille • Muenster

POST OFFICE CAREERS
Start \$14.08/hr. plus benefits. For exam and application info. call 800-280-9769. Ext. TX291, 8 a.m. - 10 p.m., 7 days. www.cnjobhelp.com 5.28.2P

HELP WANTED: Mature man or woman with small town values and friendliness for a public relations and counseling position in the Muenster area. No experience necessary for this immediate position: we offer full training with above average income. To schedule your personal interview, please call Paul at 1-800-773-2012. 5.28.1P

JORDAN HEALTH SERVICES needs dependable caregivers in the Muenster area to care for the elderly. Please call Tina at 1-888-640-2072. 5.7.4

Gehrig's Bridal Registry
Elizabeth Cler and Travis Huchton
Angie Hofbauer and Jeff Tempel
Jennifer Fuhrmann and Brenton Warren
Kelly Dangelmayr and Josh McCoy
Jill Kizer and James Bright
210 N. Main Muenster 759-4112 5.28.1

Classified Deadline is Wednesday at Noon

Bridal Registry
Angela Hofbauer & Jeff Tempel
Jennifer Fuhrmann & Brenton Warren
Christi's Jewelry & Gifts
211 N. Main Muenster 759-2994 5.28.1

This space is reserved for your classified ad. Call 759-4311

Card of Thanks
Special Thanks to our children, grandchildren and great-grandchildren for making our 20th Anniversary a special day to remember. We love all of you, Carl J. and Cecilia Schilling 5.28.1

"We build your dreams into reality"
Klement Konstruction
Dale Klement (940) 759-4222
Mobile (940) 736-3408 5.28.1.3

New Construction & Remodeling • Estimates • Vinyl Sliding Steel & Aluminum Sliding • Contract Building • Privacy Fences
Ray Klement (940) 759-4371 Fred Koester (940) 759-4660 Earl Charles (940) 759-4405

HESSE-SCHNIEDERJAN
HEATING AND AIR CONDITIONING
397 Hwy. 373 N, Muenster
Blown Insulation • Sheet Metal • Heating & Cooling • Heat Pumps
940-759-2787 TACLB011853E 940-759-4079

Wedding Selections for
Katrina Ing and Steven Knabe
Tina Klement and Kenneth Walterscheid
Angie Hofbauer and Jeff Tempel
Kelly Dangelmayr and Josh McCoy

HESS FURNITURE CO.
202 N. Main Muenster, Texas 759-4455 5.21.1

Bridal Registry
Kelly Dangelmayr & Josh McCoy
Sisters
220 North Main • Muenster, Texas
(940) 759-5090
Hours: Mon.-Sat. 9:30 A.M. - 5:30 P.M.

WAYLEN POOLE • MASTER LICENSED ELECTRICIAN
Poole's Electric
P.O. Box 279 Muenster, Texas 76252 940-736-6263 5.28.1

Miscellaneous Services

Help Wanted

OTTO DOZER SERVICE
Mike Otto - Lindsay
1-800-882-DIRT 12.4.1

WOODBINE WATER SUPPLY Corp. east of Gainesville is now taking applications for a water operator. Must have a "D" water operator license and be working toward a "C" water operator license. For an application please call 940-668-8337. 5.14.3

STATE INSPECTED meat processing plant. Bring in your animal Tubs or Thurs. Fischer's Meat Market, 759-4211. 9.9.1X

Whirlpool
All Dishwashers on sale this week!
Cooke County Appliance
"The Service People"
42 YEARS IN COOKE COUNTY HOME-OWNED
EAST HIGHWAY 82 MUESTER 759-4411 414 E. CALIFORNIA GAINESVILLE 665-0811

Residential Roofing and Metal Building Supplies by Metal Mart
All 20-yr. and 25-yr., 26-ga. or 29-ga., carry a Class #4 Rating.
DIFFERENT PROFILES AVAILABLE. Multi-Rib, Max-Rib, Mac-Rib "R" Panel, Standing Seam and Aston Wood Steel Shingles. Others are available.
• Carports • Buildings • Insulation • Sheeting • Doors • Square Tubing • Purlin • Trim • Accessories
"BUILD YOUR OWN AND SAVE"
"Free Price Quotes & Friendly Technical Assistance"
Metal Mart
3600 W. Hwy. 82 Gainesville, TX
940-665-8158 800-677-2514 1.5.2X

Real Estate For Sale/Rent
Brushy Mound Real Estate
Call For Details!
• NEW LISTING: 3 bedroom, 1 1/2 bath, brick veneer home in Saint Jo, Texas has been completely remodeled and is ready for your family to move into today. \$48,000.
E-Mail: brushymound@nortextinfo.net
Christine Beaulieu Weinzapfel 940-759-4749 5.21.1

RESIDENTIAL BUILDING
Locations are available in Community Estates, Lindsay, Texas, including 25 planned locations, paved streets and underground utilities. For more information, contact Community Lumber Company, Muenster, 759-2248. 5.29.1X

For Antiques & Old Collectibles
at Garage Sale Prices
Check out Booth 124 at Re-Collection
North on the Courthouse square Gainesville
Mobile (817) 736-4073 Home (817) 759-4350
MONDAY'S BACKHOE
Sand • Gravel • Dirt • Septic Systems
Roy Monday - Owner/Operator Muenster, Texas 5.28.1X

The SnoShak
OPEN DAILY
Beginning Saturday, May 29th 2 P.M. - 9 P.M.
Closed Memorial Day
Lost Your Keys?
If you have lost a key or keys, check at the Muenster Enterprise. Several have been turned in to us. Identify to claim.

FAX US YOUR AD TODAY! 940-759-4110

Farm & Ranch

Agricultural survey is an opportunity to provide the facts

What lasting effects will the drought of 1998 have on Texas Agriculture? Will Texas cattle ranchers be able to rebuild herds in 1999? How many acres will be planted to cotton? How will Texas' dry spring planting conditions affect 1999 production? To gather reliable, objective information on Texas and U.S. Agriculture, the National Agricultural Statistics Service (NASS) of the U.S. Department of Agriculture began surveying farmers and ranchers for the June Agricultural Survey on May 26.

There is always speculation about each new crop season, and farmers and ranchers are the best and most important source of the facts. "With farmers' and ranchers' help in answering the survey questions about the 1999 crop season, we can reduce uncertainty in the agricultural marketplace," says Robin Roark, Texas State Statistician. The Texas Agricultural Statistics Service is conducting the survey for Texas, and those farmers and ranchers selected for the survey will be contacted

between May 26 and June 16. This survey is particularly vital because it will provide the first clear indications of the potential production of major commodities in 1999. The information gathered is widely used. Producers rely on the data to reach valid production, marketing, and investment decisions. Industry analysts, extension agents, and farm organizations use the information in a variety of

ways that benefit farmers.

"We safeguard the confidentiality of all survey responses," Robin Roark says. "Information from individual operations is combined with other responses to provide the needed data. We work with farmers and ranchers to provide meaningful, accurate, and objective statistics that help keep Texas and U.S. agriculture informed."

Bred heifer mythology

by Shan Ingram
Livestock Specialist,
Nobel Foundation

Most cow-calf producers believe three myths associated with the development of heifers into cows. I will discuss them briefly in this article.

Myth #1. Limit the amount of feed given to heifers prior to calving so the calves will be small and calving difficulties will be less. The facts are that by limiting feed to bred heifers we weaken them; therefore, they have less stamina to get through the calving difficulty. Less feed also causes them to be in poor body condition after calving. The largest impact in this type of management is that heifers are so poor that we lessen the likelihood that they will breed back on time, if at all. Bred heifers should be maintained in at least a body condition score (BCS) of five. BCS sixes and sevens are probably better. If you historically have to pull a lot of calves, there is probably something wrong with your genetic selections and your heifer development program (or lack thereof).

Myth #2. A heifer's first calf will be an inferior calf and lack weaning weight. This is positively wrong. I have summarized the weaning weights of calves produced by our raised cow herd at The Noble Foundation's pasture demonstration farm since 1991. There is naturally some year to year variation, but on the average during this eight year period, calves from first calf heifers weighed slightly more than calves produced by older cows. How can this be? One reason is that the heifer's breeding season is one month earlier than the cow herd's breeding season; so, calves are older at weaning time. Also, if we are doing a good job of selection, heifers are genetically superior to older cows. The fact remains, through proper management and the selection of bulls with low birth-weights and good growth, calves from first-calf heifers are acceptable.

Myth #3. First-calf heifers are a problem to rebreed.

When handled properly, first calf heifers will re-breed well. We manage our heifers to grow out well between weaning and breeding. They will weigh approximately 75% of their mature weight at first breeding and 85-90% of their mature weight at first calving (when they are 22-23 months old). These heifers are in excellent condition at calving time (BCS sixes and sevens). They are fed good quality hay and an adequate-to-surplus amount of protein. We normally have ryegrass or small grain pasture to put these heifers on after they calve. Yes, this is expensive; however, it doesn't compare to the cost of an open 2.5 year old female. If it costs you \$100 per head in additional feed to insure that you get heifers bred back for their second calf, you will be ahead to incur the cost rather than have her open. It should be mentioned that first-calf heifers are not kept separate from the cow herd until they wean their first. In this program, they are placed with mature cows just prior to the time for them to re-breed for their second calf.

If you need help with your heifer selection, bull selection, or management practices, feel free to contact me. A good source for bulls is the Oklahoma Beef Incorporated (OBI) sale near Stillwater on April 12. You may obtain a catalog by calling Dr. Sally Dolezal at (405) 744-6060 and requesting one.

Dairy Day set for June 5

DALLAS - Dairy Day in Dallas, sponsored by the Texas Agricultural Extension Service and supported by the local dairy industry, will be part of the Family Farm Festival at Samuell Farm on June 5. The festival continues through June 6, and operates both days 8:30 a.m. through 5 p.m.

Dairy Day features free samples of milk products, including ice cream, cheese, yogurt, chocolate and white milk, even buttermilk.

County authorizes dry fire hydrant installation

by Janet Felderhoff

Rural residents from parts of Cooke County came a step closer to better fire protection at the Monday, May 24 Commissioners Court meeting. Commissioners agreed to purchase 50 dry fire hydrant systems to be placed at strategic locations around the county. "This is very important, especially in the western and northern parts of the county," said EMS Director Bob Harbin. "You have very few water supplies out there. It's a long way back to fill up."

A \$25,000 grant from the state will fund the biggest part of the expense. The 50 systems will cost \$207 each for a total of \$10,350. At Harbin's recommendation, the county also agreed to purchase 20 adapters so that all of the fire departments would have standardized systems. He learned that fire departments in counties that didn't do this were having to purchase two or three different adapters. Another purchase will be 6,000 feet of six inch PVC pipe. That allows about 120 feet per dry hydrant.

According to Harbin's calculations the total cost would be \$490 over the \$25,000 grant plus additional unknown costs for elbows in unknown numbers. Commissioners voted to allow up to an additional \$2,000 from the county to cover expenses over the \$25,000 grant.

"A dry hydrant is actually a pipe that goes out into a pond or a lake and has a strainer on the end," Harbin explained. "The connection on the end is where the fire truck hooks on. This will allow uninterrupted water supply virtually anywhere in the county if we can get these strategically located."

A contract is made between the land owner and the county so that the fire departments can utilize the water. Only the fire departments will be allowed to use the water from the hydrants.

The Forest Service recommends that the project be completed in 18 months, noted Harbin.

While bricklayers are working at the Cooke County

Courthouse, Commissioners Court unanimously decided to take care of another problem. The chimney on the courthouse has loose bricks which could prove hazardous. Since the bricks were sandblasted at one time they aren't reusable. Commissioner Virgil Hess had inspected the chimney and warned that the bricks were so loose that if someone were to walk in that corner they could be injured.

Guarantee National Bank was awarded the bid for the Depository contract for Cooke County funds. The GNB bid proved to be the low bid because of a possible additional cost of up to \$3,600 connected with the change to American Bank of Texas.

Commissioners designated a Livestock Crossing area with a 25 mph speed limit zone along County Road 133, the East and West sections, from the intersection of County Road 131 and County Road 191 west approximately 1,000 feet.

A 35 mph speed zone was designated on County Road 131, beginning at the city limits of Gainesville, continuing north to the intersection of County Road 193. This also includes County Road 182 heading east one mile.

Commissioners approved a permanent speed limit posted at 35 mph for Hogan Lane in Shady Oaks Subdivision in Precinct #1. This was at the request of the residents of the subdivision.

- In other business Commissioners Court:
- Approved public official bonds for Shannon D. Jones a deputy/jailer/corrections officer for the Sheriff's Department.
 - Approved the 1999-2000 Budget Calendar.
 - Tabled tax abatement for Evergreen properties.
 - Approved final plat for Otto Benz Subdivision Lots 1-4 located in Precinct #2. Roads within the subdivision remain private roads to be maintained by the residents.
 - Approved monthly bills, minutes of previous meeting, and submitted monthly reports.

County Agent's Report

by Craig Rosenbaum

GRASSHOPPERS and their CONTROL

Recently we have received several calls from homeowners about grasshopper problems. The mild fall and winter may be one of the causes. Dr. Carl Patrick, Extension entomologist, has worked grasshopper biology and control and offers the following on understanding grasshoppers and their control.

Approximately 150 species of grasshoppers are known to exist in the state, however, five species cause 90 percent of the damage to crops, gardens, trees and shrubs.

An often asked question during outbreak years is: Why are there so many? Weather is the main factor affecting grasshopper populations. Outbreaks are usually preceded by several years of hot, dry summers and warm autumns. Dry weather increases nymph and adult survival. Warm autumns allow grasshoppers more time to feed and lay eggs. Cool, wet weather slows nymphal development, reduces the number of eggs laid, and increases the incidence of diseases.

Grasshopper eggs are laid 1/2 to 2 inches beneath the soil surface in pod-like structures. The egg pods are very resistant to moisture and cold and are affected very little by winter conditions if the soil is not disturbed. Grasshopper egg hatch normally begins in late April to early May. Peak hatch occurs about mid-June and is usually near completion by late June. Cool and extremely dry springs may delay hatch, allowing it to continue into July.

Young grasshoppers are referred to as nymphs. They are similar to adults in general appearance, but are smaller and have wing pads instead of wings. There are usually five or six nymphal stages and the length of time from egg to adult is 40 to 60 days.

Adults of crop-damaging grasshopper species become numerous in mid-July with egg laying usually beginning in late July and continuing into the fall. In general, only one generation of grasshoppers is produced per year.

Biological Control

Grasshoppers have many natural enemies that help suppress populations. A fungus often causes locally high mortality. Infected grasshoppers strike a characteristic pose at the top of a plant or other object. The grasshopper grasps the plant in a death embrace with front and middle legs while the hind legs are extended. It dies in this position. Fungal spores develop in

and on the body of the infected grasshopper. These spores become airborne and infect other grasshoppers. Under humid conditions great numbers of grasshoppers have been destroyed by this fungus. A protozoan is normally present in some extent in grasshopper populations, but generally does not cause significant mortality. Spores incorporated on bran baits are sold. These baits kill some nymphs but virtually no adults. However, infected adults lay fewer eggs. These baits act too slowly and kill too few grasshoppers to be of much value when the need for control is immediate. Nematodes called hair worms commonly infest adult grasshoppers. They reduce the vigor of grasshoppers, but do not cause significant mortality. Insects that feed on grasshoppers include the larvae of blister beetles, bees, flies, robber flies, ground beetle, flesh flies and tangle-veined flies. Birds and mammals consume grasshoppers, but have little impact on outbreak years.

Mechanical Control

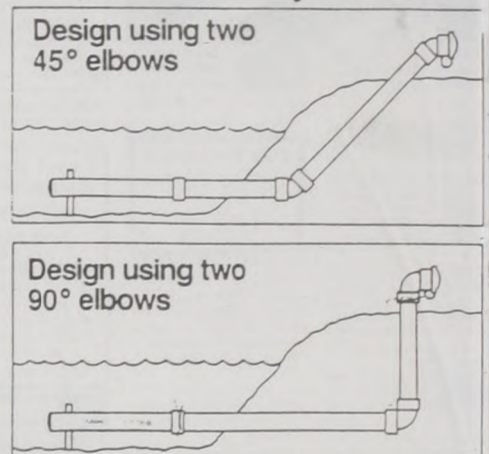
Grasshopper populations can be reduced by eliminating potential egg-laying sites. Since grasshoppers tend to select undisturbed areas for egg-laying, tilling cropland in mid- to late summer discourages females from laying eggs in these areas.

Cultural Control

Eliminate tall grass and weeds from around those plants you wish to protect. This reduces food sources so grasshoppers are not attracted to these areas, expose grasshoppers to greater predation from birds, and makes these areas less attractive for egg-laying.

An Integrated Pest Management approach for monitoring development stages and populations has been developed and is available in a publication by Dr. Patrick. Farmers, ranchers and homeowners may obtain a copy from the county Extension office. With 15 to 20 paces between each square-foot sample, conduct 18 square-foot samples and divide the total number of grasshoppers by two to obtain a number per square yard. If grasshoppers are predominantly first to third instar, (wingless) generally less than 1/2 inch long, divide the number by three to get the adult equivalent. Consider fourth instar nymphs and above adults. Control will generally be necessary when square-yard counts reach the threatening level. Use Table 1 to determine the need for insecticide applications to control grasshoppers.

Dry Fire Hydrants



AERIAL PASTURE SPRAYING WEEDS ... TREES

Weedmaster herbicide

Amber

Remedy

Now Available at **Red River Farm Coop**

Red River Farm Coop

1300 N. Dixon Gainesville, TX (940) 655-4338

Cuts The Big Jobs Down To Size.

Pre-Owned Specials of the Week

1998 Chevy Malibu Sedan Factory Warranty, Loaded \$14,500	1998 Sunfire Clean \$11,250
1993 Buick Park Ave. Clean-Low Mileage \$10,995	1997 Ford Taurus 3 to Select from \$11,500
1995 Chev. Ext Cab Low Mileage, Clean \$15,995	1995 Buick Park Ave. 1 Owner, 49K Miles \$14,500
1997 Chevy Monte Carlo 1-Owner, Extra Clean \$11,995	1997 Cavalier Low Mileage \$9,995

Many More To Choose From

Brown Motor Company, Inc.

CHEVROLET BUICK PONTIAC GMC TRUCK

Serving North Texas For Over 67 Years

Monday-Friday 8:00-6:00 Saturday 8:00-5:00

1608 West Highway 82 • Gainesville, Texas

940-665-5591 www.brownmotorco.com 800-865-5591

GAINESVILLE LIVESTOCK MARKET, INC.

"North Texas' Leading Auction Sale" (940) 665-4367

Light weight steers \$2 to \$6 lower. Light weight heifers \$2 to \$4 lower. 500 to 600 lb. steers & heifers \$1 to \$3 lower. Feeder steers & heifers steady. Packer cows & bulls \$1 lower. Bred cows steady with gain \$25 lower.

Sold at Friday's sale were 1,079 head of cattle compared to 1,328 head of cattle the previous week. Tuesday the market conducted the sale of 265 goats, 70 sheep and 218 hogs. The numbers for last week were 244, 71 and 132 respectively. Results of both sales follow:

Feeder Steers (per lb.) 200-300 lbs.: No. 1, 94-1.06; Nos. 2 & 3, 70-94; 300-400 lbs.: No. 1, 90-1.00; Nos. 2 & 3, 70-90; 400-500 lbs.: No. 1, 85-90; Nos. 2 & 3, 70-85; 500-600 lbs.: No. 1, 78-86; Nos. 2 & 3, 65-78; 600-700 lbs.: No. 1, 72-80; Nos. 2 & 3, 65-72; 700-800 lbs.: No. 1, 67-74; Nos. 2 & 3, 60-67.	Slaughter Cattle (per lb.) Slaughter bulls: yield grade 1-2, 1,200-2,050 lbs., 42-51; Slaughter cows: utility 1-3, 28-33; cutter, 33-41.	1-3, 300-650, 23-32; Boars: US 1-3, 200-650, 10-13; Feeders: US 1-3, 100-175; \$25-\$45 per head. Pigs: US 1-3, 25-90, \$12-\$30 per head.
Feeder Heifers (per lb.) 200-300 lbs.: No. 1, 80-90; Nos. 2 & 3, 65-80; 300-400 lbs.: No. 1, 75-86; Nos. 2 & 3, 62-75; 400-500 lbs.: No. 1, 75-83; Nos. 2 & 3, 60-75; 500-600 lbs.: No. 1, 70-79; Nos. 2 & 3, 55-70; 600-700 lbs.: No. 1, 65-73; Nos. 2 & 3, 50-65; 700-800 lbs.: No. 1, 60-73; Nos. 2	Stocker Cows (per head) Pregnancy-tested, 3- to 9-year-olds - large frame, \$500-\$560; medium frame, \$425-\$500. Cow-calf pairs w/calves under 250 lbs. - large frame, \$625-\$690; medium frame, \$500-\$625. Holstein baby calves, \$40-\$90; Crossbreds, \$80-\$170.	Sheep (per lb.) Lamb: 65-80. Ewe: 22-70. Bucks: 27-35.
Hogs (per lb.) Barrows & Gilts: US 1-2, 220-275, 30-32; US 2-3, 220-275, 28-30. Sows: US		Barbados (per head) Lamb: \$20-\$50. Ewe: \$35-\$45. Buck: \$60-\$75.

Dairy Goats (per head)
Kids: \$15-\$50. Nannies: \$30-\$75. Billies: \$50-\$75.

Meat Goats (per head)
Kids: \$20-\$50. Nannies: \$30-\$70. Billies: \$50-\$115.

ROCK BOTTOM PRICES!

Drafting Tables, Stools, Office Chairs, Desks, Bookcases, Cubicle Office Partitions, End Tables, Computer Tables, 2-, 3-, 4- & 5-Drawer Lateral File Cabinets.

G & A ENTERPRISES

1306 N. Mason Bowie, Texas 940-872-4543

Must present this ad for 50% off!