

WINNER
of the Distinguished
Service Award of the
Vocational Agriculture Teachers
Association of Texas

THE
DONLEY
COUNTY

LEADER

THE
CLARENDON
NEWS

IF a pencil mark appears in
this box, your subscription
has expired. Please let us
have your renewal promptly.

1878

A COUNTY-WIDE PUBLICATION SERVING DONLEY COUNTY AND ITS TRADE TERRITORY

1963

New Series—Volume 33

Number 5

CLARENDON, DONLEY COUNTY, TEXAS, THURSDAY, FEBRUARY 28, 1963

A Common Paper for Common People



—Photo Courtesy of Seye's Studio

Pictured above is the newly organized Boy Scout Troop Number 33. The boys are very proud of their Troop Number "33" as this number first belonged to a pioneering troop of scouts in an old historic town that has since become inactive. The boys and leaders plan to give new life to this old troop number and make it one of the leading troops once again in the Panhandle of Texas.

Last Rites Today For Thomas L. Melton

Thomas Levi Melton, 73, a resident of Clarendon for the past 34 years, died at 7:40 a.m. Tuesday at the Groom Memorial Hospital in Groom after a long illness.

Funeral services will be held at 10 a.m. Thursday from the Assembly of God Church with the pastor, Rev. Roy Eason, officiating, and assisted by Rev. J. E. Gibson, Assembly of God minister from Memphis. Interment will be in Citizens Cemetery, under the direction of Murphy Funeral Home.

Mr. Melton was born at Coffeyville, Mississippi, May 6, 1889. He married Miss Myrtle Rowlett, June 15, 1913, at Paris, Texas. He moved here with his family in 1929 from McAdoo, Texas. He was a farmer and retired in 1954 due to ill health. He was a member of the Assembly of God Church.

Survivors include his wife; three daughters, Mrs. Lonnie Taylor of Denver City, Texas, Mrs. Lee Heathington and Mrs. T. L. Holman, both of Plano, Texas; five sons, Leverett Melton of Klamath Falls, Oregon, Readis Melton of Salem, Oregon, O. J. Melton of Seminole, Texas, J. B. Melton and Dalton Melton, both of Amarillo; one brother, Monroe Melton of California; 25 grandchildren and 7 great-grandchildren.

Pallbearers will be Gene Swearingen, C. S. Sims, J. H. Spier, Jr., Bill Hardin, B. B. Osburn and A. R. Henson.

4-H Members Putting Steers On Feed For Next Year

After a very successful show circuit this year, Donley County 4-H Club members are now putting steers on feed for next year. County Agent Flip Breedlove. There are now fifteen steers already on feed and the County Agent expects to have around 25 steers to be fed by 4-H members for next year.

New Catholic Priest At Church Here

Father Magana is the new Catholic Priest here and is also in charge of the Memphis mission. Father Magana, a native of Spain is highly educated, being a Ph.D. from Piarist Theologian University of Abbekda, Lorono Spain. He is also a college professor having taught in France, Spain and Central America.

Father Albert Fuytink has been conducting a Mission at St. Mary's Catholic Church here for the past week with a very large attendance. Many Protestants have attended.

Local Golf Course Has New Additions

Thirty-two trees have been recently set out on the Donley County Golf Club course which are scheduled to make the game much more interesting and challenging in the future. The trees, Chinese Elm, Cottonwood and Mulberry will improve the beauty of the course and will afford shade on hot summer days.

Dr. J. Gordon Stewart, president, and John Cook picked out the locations for the trees and local golfers can rest assured that more practice will be needed to stay out of the rough as the trees are located in the areas where most players hit their balls out of the fairways.

A new practice putting green has been added south of the croquet court to alleviate the traffic on No. 9 green.

The croquet court, under the direction and guidance of Jake Lamberth, is in perfect shape and is lighted for night playing. Members of the Golf Club have access to the croquet court as well as the golf course. Those desiring to play croquet only may join for a membership fee of \$5 and monthly dues of \$1. Those interested may contact Jake Lamberth.

McCully To Take Over As Postmaster Sat.

Mike McCully, prominent insurance agent and civic leader, will be officially installed as Postmaster of the Clarendon Post Office Saturday morning, March 2nd. His official capacity will begin at the close of business Friday.

A. W. Pfanmiller, Postal Inspector of Amarillo, will administer the oath of office Saturday morning.

McCully was named Clarendon Postmaster February 1, 1963, by Congressman Walter Rogers.

FRESHMAN CLASS SPONSORING PANCAKE SUPPER SAT. NIGHT

The Freshman Class of CHS is sponsoring a pancake supper in the college gym Saturday night, March 2, beginning at 6:30 p.m. The price is 75c for those over 8 years of age and 35c for those under 8. You can eat all you want for the one price.

Proceeds will go toward financing their Junior-Senior Banquet.

There will be a carnival to follow with an amateur talent show and other side shows. The public is invited and urged to attend.

Jr. High Science Fair Friday, March 1

The annual Junior High School Science Fair will be held Friday, March 1, in the Jr. High building. Exhibits in the fair will be prepared by students in the 4th through 8th grades and according to their work in previous years, the fair should be very interesting again this year.

Judging of the projects will be done this afternoon, Thursday, and the exhibits will be open to the public all day Friday and everyone is invited to come by and see the results of our youngsters' efforts.

Entries from the local fair have placed high in the Amarillo Science Fair in previous years with locals carrying away from 1 to 12 first place trophies. The more competitive exhibits from the local fair will be entered again in the Amarillo fair later in March.

CHS Band And Chorus To Present Program In College Auditorium

The Clarendon High School Band and Mixed Chorus will present a concert Thursday night, Feb. 28, at 8 p.m. in the College Auditorium.

The Chorus will present an all popular concert with such numbers as "Scarlet Ribbon," "Come To Me," "America, Our Heritage," "Where in the World but in America" and others.

The band will be augmented by members of the Jr. High Band and they will play "Homage To Youth March," "Leontina Overture," "Laureate Overture and other selections.

The concert is free and the public is cordially invited. The band now has 55 members and the chorus has 36.

World Day Of Prayer To Be Observed Friday

On Friday, March 1, church women all over the world will be observing the World Day of Prayer, and a service will be held in Clarendon at the Presbyterian Church at 2 p.m.

Let us open our hearts and minds to the importance of tens of thousands of praying women, and let us all be a part of those who seek help and divine guidance during these critical days, stated a local church woman. An invitation is extended to everyone who wishes to meet with the group in prayer and meditation.

Donley County Leader \$3.00 Yr. in County

Harlem Stars To Play Jaycees Here March 7

The hilarious Harlem Stars are coming to town and will play the local Jaycees in the College gym Thursday, March 7, at 8 p.m. Advertised as the greatest and funniest basketball team in the country today, the Stars are a combination of negro stars who tour the world making fans laugh.

When the name Harlem Stars is mentioned, hoop fans get ready for an evening of entertainment. Fans will see a fancy exhibition — razzle dazzle ball handling, intricate routines, both planned and impromptu comedy and all sorts of 'shenanigans'.

The price of admission for the game will be \$1 for advance ticket sales and \$1.25 at the door.

Two Have Filed For Mayor's Race

Up until press time Wednesday, two candidates have announced for the office of Mayor of the City of Clarendon. The deadline for filing is Saturday, March 2nd.

Major B. Hudson announced his candidacy last week and Jerry Lohoefer entered the race this week. Mayor H. T. Burton has not announced any definite plans at the present time.

The City Election will be held Saturday, April 2.

FORMER RESIDENT DIES IN CALIFORNIA

Jeff Losson, 71, retired general and former Donley County resident died February 22 at San Bernardino, Calif. He had been making his home at Lucerne Valley, Calif., the past six years. Funeral services were held there Monday.

Mr. Losson was a ginner in the Clarendon area 25 years and was associated with the Smith Bros. Gin at that time.

Among survivors are a daughter, Mrs. Chuck Longan of Clarendon and a son, J. J. Losson of Portales, N.M. Also four brothers and one sister.

HOSPITAL NOTES

Patients as of Wed., Feb. 27: Mrs. A. W. Simpson, Mrs. V. W. Carpenter, Jess Hill, R. O. Thomas, Mrs. H. B. Mendenhall, C. C. Carter, Mrs. L. L. Taylor, Sr., and Boy Blackwell. Dismissals: Mrs. J. A. Warren, Mrs. D. C. Williams, Bobby Thomas, Mrs. Carl Morris and Mrs. A. A. Loranca.

IN MAYOR'S RACE



JERRY LOHOEFER

Services Held Wed. For E. J. Chenault

Funeral services for Elmer John Chenault were held Wednesday afternoon at the Church of Christ with Robert C. Jones, Minister, officiating.

Mr. Chenault, 64, died Monday morning in the Groom Memorial Hospital following a brief illness. He had been a resident of Donley County since 1918 and lived at Lelia Lake prior to moving to Clarendon several years ago. He was engaged in the Accounting and Income Tax Service business and served numerous local firms and hundreds of individuals in the area. He was a member of the Church of Christ and had been active in church work for many years.

Survivors include his wife, Lora Chenault; two sisters, Mrs. B. L. Howard of Amarillo and Mrs. E. W. Loveady of Bowie, Texas; three brothers, E. W. Chenault of Lelia Lake, S. B. and Merl Chenault, both of Amarillo. Pallbearers were Coleman Shields, Alva Dever, Gordon Mann, H. G. Bobbitt, Mark Allen and Bill Todd.

Burial was in Citizens Cemetery with the Murphy Funeral Home in charge of arrangements.

Fund Raising Drive Set For Monday

Donley County Annual Fund Raising Drive for The American Red Cross will start Monday, March 4th. Mrs. Hall Hardin, Campaign Chairman, said the quota for 1963 is \$1524.00.

For over 100 years The Red Cross has been a symbol of man's effort to use humanitarian principles as a guide for conduct in the world community. Wherever or when ever there is need, The Red Cross is there, with your help.

Bulldogs End Season With Frank Phillips Friday Night

The Clarendon Junior College Bulldogs will close out their 1962-63 basketball season here Friday night against the Frank Phillips College Plainsmen of Borger. The Plainsmen edged the Bulldogs recently by a score of 60 to 55. However, that was without their leading scorer, Sammy Smith, who was ill that night. Smith is one of the leading scorers in the conference this year.

The Bulldogs, under Coach Don Dorman, have experienced a rather dismal season this year and have finished the conference season in the cellar for the second straight year. It will take a win over Frank Phillips in this last game to improve their won-lost record of last year. Last year the Bulldogs finished with only four wins against 22 defeats and right now the record stands 4-21. Last year the Bulldogs could win only one of 16 conference games while this year they have managed two conference wins.

Coach Dorman, in his first full year as coach of the Bulldogs, has kept the boys hustling all the way and has lost several close ball games. Most of the boys are freshmen and have given away a lot of experience and height in every game. Max Courtney at 6-8 is the only tall boy on the team and he rarely plays a full game because of his excessive fouling. Alvin Scott has been a dependable performer but Bill Bentley and Joe Lennon, the other two sophomores, have been of little help primarily because of sickness and injuries most of the season. Several freshmen have looked good at times and with more experience should develop into good sound ball players by next season. Jim Boyd started the season in great form, but has dropped off during the last few games. Randall Murry has been coming along well as has James Starkey and Garland Lancaster. James Allen has been a starter in recent games and shows signs of developing into a dependable player.

Friday night's starters against Frank Phillips will probably be Courtney, Scott, Allen, Boyd and Murry.

JAYCEES PLACE SECOND IN BASKETBALL PLAY

The Clarendon Jaycees basketball team came out second in area play with Shamrock ending up in the first place slot. A tournament will be held at Shamrock March 8-9 with all the Jaycee teams from surrounding towns participating.

Attend the church of your choice.



—Photo Courtesy of Seye's Studio

Boys shown above are Cub Scouts who participated in the program "Scouts Around the

World" which was presented at the Cub Scout Blue and Gold Banquet Friday night, February 22. The boys are dressed in cos-

tumes and Scout uniforms of countries all over the world. The story of the founder of Scouting and the rapid spread of Scouting

was told and each boy gave some information on the country he represented or on Scouting in that country. Freddie the Fire-

man of KFDA-TV is pictured with the boys.



—Photo Courtesy of Seye's Studio

Pictured as the winners of the Honor Den pennant at the Blue and Gold Banquet is Den No. 3. Top row, left to right — Danny Cearley, Gary Bennett and Byrd Adkins. Bottom row — Timmy Saye, Joe Robinson, Wayne Baker and Lin Tyler.

THE DONLEY COUNTY LEADER

G. W. Eastack, Editor and Publisher

Published on Thursday of each week.

Subscription, \$3.06 a year, first zone Other zones, \$3.57

Second Class Postage Paid at Clarendon, Texas

Entered as second class matter March 12, 1929, at the post office at Clarendon, Texas, under the Act of March 3, 1879.

This paper's duty is to print all the news that's fit to print honestly and fairly to all unbiased by any consideration even including its own editorial opinion.

Any erroneous reflection upon the character, standing or reputation of any person, firm or corporation which may occur in the columns of THE DONLEY COUNTY LEADER will be gladly corrected upon being brought to the attention of the management.

NOTICE: Obituaries and poetry are published in this paper at the rate of 3 cents per word. A charge of \$1.00 is made on cards of thanks. Stories of deaths and funerals published in time to retain the news value are not rated as obituaries.

MEMBERS OF

Texas & Panhandle Press Associations

LELIA LAKE NEWS

Mrs. J. R. Batson

Mr. and Mrs. Ralph Goodner and Jack of Amarillo spent the week end with Mr. and Mrs. Sid Pointer and Mr. and Mrs. Ray Holland.

Steve and Jerri Vaught of Amarillo spent the week end with their grandparents, Mr. and Mrs. Oscar Roberts.

Mr. and Mrs. Glenn Vaught and Bill Roberts of Amarillo visited Mr. and Mrs. Oscar Roberts Sunday. Jerri and Steve accompanied their parents home.

Mrs. Quinn Aten and Mrs. Kinch Leathers visited relatives in Memphis Friday.

Mr. and Mrs. Quinn Aten and

Mr. and Mrs. Bill Lane went to Canyon last Sunday to help their grandson, Mark Lane, celebrate his seventh birthday.

Mr. and Mrs. W. C. Scott visited Mr. and Mrs. Blankenship of Hedley Monday.

Mrs. Ruby McDowell of Memphis visited Mr. and Mrs. Kinch Leathers Wednesday. Quinn Aten had business in Memphis Monday.

Mr. Crane of Oklahoma and Mrs. Bill Lane were called to Amherst Friday to be with their father, who is seriously ill.

Mr. and Mrs. Lamar Aten visited their son, L. D. Aten and family of Littlefield, Saturday.

Mr. and Mrs. Dale Ayers of Amarillo spent the week end with their parents, Mr. and Mrs. Clarence Ayers and Mr. and Mrs. Bill Brown.

Mrs. Jerry Shields, Mrs. John Bob Butler, and Mrs. Coleman Shields shopped in Amarillo Saturday.

Guests of Mr. and Mrs. W. C. Scott Sunday were Mr. and Mrs. John F. Harlan, Mr. and Mrs. Ray Hefner, Mr. and Mrs. Billy Scott and children, Mr. and Mrs. Don Barker and children, all of Amarillo.

Mr. and Mrs. Byron Todd of California are visiting her parents, Mr. and Mrs. S. C. Denton. Mr. and Mrs. M. L. Allen of Tucumcari, New Mexico, visited Mr. and Mrs. Leo Smith and Sheila Saturday and Sunday.

Nathan Tomlinson, who is stationed in Washington, and his wife of Memphis visited his mother, Mrs. Sam Tomlinson, last week.

Mrs. Chuck Longan returned recently from a visit with her father, Jeff Losson, and other relatives in California. Mr. Losson passed away while she was enroute home.

Mr. and Mrs. Kinch Leathers visited relatives in Amarillo Wednesday.

Mrs. Bill Lane returned to Amherst to be with her father, who is still seriously ill.

Mr. and Mrs. Sid Pointer and Steve, Mr. and Mrs. Rice Batson and Mack, Mr. and Mrs. J. W. Helms and Eddy, Mrs. Romaine Owens and Randy, and Mrs. Benny Hill, Steve and Phillip attended the Cub Scout program and banquet in Clarendon Friday evening.

Mr. and Mrs. Will Mace returned home Friday from a visit with his children in Farwell.

L. B. Chunn of Amarillo visited Mr. and Mrs. D. M. Cook Sunday.

Mr. and Mrs. E. V. Quattlebaum had business in Amarillo Monday.

Mr. and Mrs. D. W. Tomlinson and boys of Phillips, Mr. and Mrs. Don Barker and children of Amarillo, and Mr. and Mrs. Carl Barker of Clarendon were guests of Mr. and Mrs. Bill Mooring and boys Saturday evening.

D. E. Leathers entered the Groom Memorial Hospital Monday for treatment for his back.

Brenda Gay Barker of Amarillo spent several days with her aunt and uncle, Mr. and Mrs. Bill Mooring.

TO THE PEOPLE OF THE 18th DISTRICT

By Congressman Walter Rogers

THE COMMITTEE SYSTEM

The lights are burning late these nights on Capitol Hill. This first session of the 88th Congress at last is down to business. Congressional committees are meeting to shape the legislation that will affect every American and our friends — and enemies — abroad.

The key work of the Congress comes in the long, tedious meetings of the 20 standing committees of the House, the 16 standing committees of the Senate and the 130 or so subcommittees of both chambers. Once a bill is introduced, the assigned committee may call for a hearing on it, may amend or completely rewrite it, may refuse to consider it, may reject it, or may report it to the full chamber with approval or disapproval. The standing committees also may initiate new legislation and they serve as watchdogs on the administration and conduct of policy. Committee work is indeed the heart of the Congress.

"We are ruled by a score and a half of 'little legislatures,'" said Woodrow Wilson. His complaint centered on the power committees hold over pending legislation. It was an objection that was made by Presidents before and after Wilson as they sought to break the grip of powerful committee chairmen and committee members. Many a program advocated by a President has been drastically revised or amended before it was reported out of committee for action in the House or Senate. In the view of some observers, drastic amendment will be the

probable fate this year of President Kennedy's tax reform proposal. Now up for hearings by the House Ways and Means Committee, this measure is the most important administration proposal submitted to Congress this year. Like many pending measures, the tax bill has an unpredictable future.

Legislation originates from many sources. Bills may come from a government agency or the President. It is the duty of the President under the Constitution to recommend to the Congress from time to time "such measures as he shall judge necessary and expedient." Some bills from Congressmen come as a result of their own ideas for needed legislation, some are introduced at the urging of their constituents. A recent study of 90 major acts showed that 46 of them were chiefly the products of Congress. But even those bills that did not originate with a member or committee of Congress bore the marks of Congressional revision before they reached the floor of either chamber. Few bills reach the House or Senate floor without considerable change.

As a member of the House Committee on Interstate and Foreign Commerce, I serve as chairman of the Subcommittee on Communications and Power, which has initial jurisdiction over bills affecting interstate and foreign communications, petroleum and natural gas, interstate power, and the U. S. Weather Bureau. As a member of the House Committee on Interior and Insular Affairs, I again have been assigned as chairman of the Subcommittee on Irrigation and Reclamation. This is the subcommittee which held original

jurisdiction over bills to provide for the Canadian River Project now being built.

Were it not for the screening and amending work of the committees, Congress would bog down in a morass of confusion. More than 20,000 legislative proposals are expected to be introduced in this session. In addition, the Senate will consider nearly 100,000 Presidential nominations. Judging from past Congresses, only about 10 percent of proposed legislation will be enacted into law by the 88th Congress. And the 10 percent that make the grade will, for the most part, be those measures that were reported favorably by committees. Committee power is a fact of life.

As our government began, the practice was for the House to ask heads of executive departments to report on subjects for legislation. Bills then were shaped before the full House. Instead of standing committees, a number of select or special committees were appointed for specific but temporary purposes. Had this system persisted, our legislative process would be similar to that of the British Parliament, in which no specialized standing committees participate. In Parliament, bills are initiated and shaped by ministries of government for consideration by the full houses.

Early in our history, Congress lost faith in the wisdom of the Executive branch. In 1792, when the Jeffersonians captured control of the House, a system of standing committees was established. By 1946, when the Legislative Reorganization Act was passed to straighten out the confusion, the House had 48 standing committees and the Senate 33. The Act cut the number of

standing committees in the House to 19 and those in the Senate to 15 and clarified the jurisdictions of each. Since then, one standing committee — that on civilian space activities — was added to each chamber. But subcommittees have multiplied.

Most legislation before this session is now in the committee stage. Bills given committee approval will move to the floor of the House or Senate, then (if approved) to conference committee where differences in the versions will be ironed out, then to the House and Senate for final approval, then to the President.

VIRGINIA, MINN., DAILY NEWS:

"Often these days we read that youngsters, and even some adults, have sought violent redress against those who have criticized their failures and shortcomings. Usually, the comment on these happenings stresses the fact that the persons involved have sought a violent solution. That is indeed a problem of major consequence in present day society. But it perhaps tends to be ignored that the problem has another facet: the evidently increasing inability to people of all ages to take criticism."

According to Newsweek, "Competition for the short supply of space-age engineers and technicians is so stiff that personnel managers of U.S. corporations are being forced to fall back on an old Civil War recruiting device — the bounty." It quotes a notice by one corporation which offers an award of \$100 to any employee who introduces a technical-professional applicant who is subsequently hired.

THE EQUITABLE LIFE ASSURANCE SOCIETY OF THE UNITED STATES

Farm Loan Service

285 Avenue of the Americas, New York 19, N.Y.

February 14, 1963

Mr. J. P. Pool
Clarendon, Texas

Dear Mr. Pool:

Each year the Loan Supervisor selects the ten Correspondents who have done the most outstanding job for the Top-Ten Honor Roll. I am pleased to announce that Mr. Stafford has selected you to receive this recognition for 1962.

You will be interested to know that during 1962 the Farm Loan Department observed its 50th birthday of farm financing. During the year 82 million new funds were advanced, pushing Equitable's total farm investment over the one-half billion dollar mark. I appreciate the part you played in making this achievement possible.

Our farm appraiser will soon present you with a gift and an award certificate as an expression of our appreciation for the outstanding contribution which you have made to the success of the Farm Loan Department. Your position in the field of farm financing is a real benefit to your area, and we hope that you will share the news of your accomplishment with the people in your community.

Sincerely yours,
/s/ E. E. McLEAN
Vice President

TOP O' TEXAS
HEREFORD SHOW AND SALE

Recreation Park
52 Bulls

Pampa
SELLING

March 4-5-6, 1963
9 Females

JUDGING MARCH 5th 1:30 P. M.
SALE MARCH 6th 1:30 P. M.

CONSIGNORS

- JOHN A. BAGGERMAN & SONS, GROOM, TEXAS
- J. P. CALLIHAM, CONWAY, TEXAS
- FRANK M. CARTER, PAMPA, TEXAS
- FRANK M. CHAMBERS, CANADIAN, TEXAS
- W. H. COOKE, III, QUAIL, TEXAS
- PAUL DAUER, PANHANDLE, TEXAS
- HOWARD GAULT & SON, HEREFORD, TEXAS
- RALPH HALE, PERRYTON, TEXAS
- R. H. HOLLAND & SON, PERRYTON, TEXAS
- LARRY KAUL, HEREFORD, TEXAS
- M. C. KAUL, HEREFORD, TEXAS
- WAYNE MADDOX, MIAMI, TEXAS
- CLYDE MAGEE, McLEAN, TEXAS
- BEN MATHERS, CANADIAN, TEXAS
- KENNETH MEE, CANADIAN, TEXAS
- T. G. MILLICAN, PANHANDLE, TEXAS
- ROBERT L. NEWTON, GROOM, TEXAS
- TOMIE POTTS, MEMPHIS, TEXAS
- PAUL & ALAN THOMPSON, MIAMI, TEXAS
- GORDON WHITENER, WHEELER, TEXAS
- ROCKY WOODFORD, MIAMI, TEXAS

GOOD BULLS READY FOR SERVICE
TOP O' TEXAS
HEREFORD BREEDERS ASSOCIATION

BIG DISCOUNTS

STORE HOURS — Weekdays: 8 'til 7 — Saturdays: 8 'til 8
FOR EMERGENCY PRESCRIPTION CALL 3646 NIGHT OR SUNDAY

8-FIVE PIECE
Place Settings
Plus 8 Serving Pieces
in Chest
REED and BARTON
Silver Plate All for the
Low Price of
\$88.00

JUMBO
BEVERAGE SET
PLASTIC DECANTER
88c

\$1.00
GOLF BALLS
50c

4 FT.
STEP LADDER
\$1.98

\$54.75
SAMSONITE 5 PIECE
Card Table Set
NOW
\$34.95

REXALL
BLACK AND WHITE
FILM
Size 620 — 127 — 120
29c per roll

DELSEY
Per 4 Pak
39c
(Limit 2)

SAMSONITE
CHAIRS
See Our Price

SEE OUR
Hallmark Cards
For All Occasions
St. Patrick Day,
April Fool's Day
and Easter

STAG SPIN TOP
DEODORANT
FOR MEN
REG. 89c — NOW
49c

DECORATED
TEA POT
\$1.49

CARA NOME
BEAUTY SET
REG. \$4.50 FOR
\$2.25

PLASTIC
BABY BIB
REG. 49c
OUR PRICE
19c

300
COTTON BALLS
69c

GOLDEN LILAC
Dusting Powder
and MIST COLOGNE SET
REG. \$4.50 — NOW
\$2.29

CRIB SHEET
REG. \$1.19 — NOW
89c

\$2.00 CARA NOME
HAND LOTION
\$1.29

ONE DAILY MULTIPLE
VITAMINS
ONE YEAR SUPPLY
\$3.65

MODEL CARS
REG. \$1.00
OUR PRICE
88c

THONGS
ALL SIZES
39c

8 PIECE
SPICE JAR SET
\$2.49

89c
MI 31
49c

PLASTIC
DUST PAN
19c

Folding Stools
\$2.39

Steam & Dry Iron
\$8.88

HAIR DRYER
\$3.99

Ash Tray Stand
49c

TUNNELL

Home Owned & Operated
FREE DELIVERY
11:30 a.m. to 6:00 p.m.

Pharmacy
THE REXALL STORE

SUPPORTING
CLARENDON'S
INSTITUTIONS



People who never watch their savings grow, Will seldom have a bank account to show . . .
Something we often wish that we could sort of whisper in the ear of each newly married couple would be that of beginning a habit of saving. Even though we live in an age of easy credit it doesn't take much imagination to see the joy of having the cash saved up to take care of some emergency. A little bit put aside

each pay-day will soon grow into a treasured backlog for which any couple would soon find a good reason to be proud.
Keep looking Mr. President, and if you see
A sizable deduct, please give it to me . . .
And on top of all that, if a 10 billion tax reduction will cure a small recession let's do away with the income tax and have a real boom . . .
Sometimes it takes a pretty smart bird to tell "What's Cookin'" before he gets his feathers singed.
To a certain Editor who has been reducing we pen the following bit of poetry:
Just to read all the bunk,
And then eat all the junk,

It would seem we should soon be skin and bone.
But the truth will leak out, As we waddle about,
That our type is more nearly skin and bone . . .
Heard on the radio:
If one must throw stones the least they could do is be sure that they miss . . .
Governor Henry Bellmon of Oklahoma announced recently that the state mansion would be the home of his family for the next four years and that there would be no intoxicating beverages served there during that time. It seems a pity that Washington, D.C., could not follow the same example . . .
From our malibag:
Our good friend Rev. Ford Ellis of the North Amarillo Christian Church has recently added our name to the list that receives his little church publica-

tion . . . Now, we can again keep up with what Mr. Ellis says. Thanks to both you and the lady who addressed it for this kindness. We have scarcely seen this good couple since the preacher and myself shared a hospital room together a couple of years ago almost. It was then that we went all out in our intentions to tease and torment the help, especially one poor male nurse . . . From this church paper we bring you this good thought; "The only type of unity which will endure the storms of life is the Unity of the Spirit."
From Boys Ranch Round-Up:
A wise man's daily prayer: Lord, make this a better world—beginning with me . . .
Some resolutions from the boys at the Ranch for the New Year.
"I'll quit scratching in public unless I absolutely have to."
"I'll think oftener and longer before getting in an argument."
"No more fighting with big

guys."
Jake Driskill called almost immediately to give us the location of the Texas town of Lueders. In case you had never heard of it either, it is a rather small town on the Brazos River and in Jones County in the general vicinity of Stamford and Albany. It has had considerable claim to fame in the field of colorful native stone used in building. Thanks Jake for giving us the up and up on Lueders, Texas . . .
A nice card from the Carl Pittmans of Clarendon tells us a bit more about Lueders. Located on Highway 380 about halfway between Stamford and Albany. We liked the PS on this card which said that they read and enjoyed this column each week . . . This is the best kind of encouragement one could possibly get. Thanks a lot.
Leader local rate — \$3.06 a year

FRIENDLY
COURTEOUS
THOUGHTFUL
DEPENDABLE

Murphy
Funeral Home.

JOE GOLDSTON
Optometrist
Office Hours:
9-12-2-5
Call for Appointment



Income Tax Service
at
C. C. Powell Office
Fred W. Bourland

Bill's Plumbing Service
24 HOUR SERVICE
Located at Clarendon Hotel
CALL 874-3746
Licensed and Bonded
FREE ESTIMATES
Calls Answered Promptly

CONNIE'S
RADIO AND TV SERVICE
We Service All Makes
And Models
Home Auto Television
PHONE 874-3752
Next Door To Fire Station

IRRIGATION
AND DOMESTIC
WELLS
A. H. MOORE
CLARENDON, TEXAS
Phone 874-3596

Man's home robbed.
Heartbreaking.
Crying over spilt milk.
See us before too late.
Hartford Burglary Insurance.
You need it, NOW.
KNORPP
Insurance Agency
Phone 874-3521
Agency for
HARTFORD ACCIDENT AND INDEMNITY COMPANY
Hartford, Connecticut

HOMEN MEAT CO.
CLARENDON, TEXAS
CUSTOM SLAUGHTERING
BEEF — TUESDAY & THURSDAY
HOGS — FRIDAY

DREAMING OF A New Home?
We will strive to help make this dream come true. These homes are financed by Farm Home Administration, or local Savings & Loan.
HOMES FROM 786 SQ. FT. TO 1891 SQ. FT.
—See Jim Guy At Pampa On Amarillo Highway 60—
Craft-Bilt Homes, Inc.
A FEW BUCKS BUYS A LOT OF HOUSE.
MO 5-5410 OR MO 5 2026

Flameless Electric Water Heaters



Always Safer . . .
Always Cleaner . . .
Always More . . .
Dependable . . .

And
Economical Too!

For your home or business, the uncontrolled (no time clock) 1c per-kilowatt-hour rate means that you can now enjoy the advantages of electric water heating economically. The first 300 KWH at the regular residential rate, the next 400 for only 1c per KWH.*

1c PER KWH
After the first 300 KWH
Plus fuel adjustment and state tax.

FREE WIRING — An extra for WTU customers. If you are a customer of WTU and purchase your flameless electric water heater from a local appliance dealer, WTU will install the wiring at no charge to you.

West Texas Utilities Company
an investor owned company

LIVELY NEWS... FALCON GOES V-8!
Choose from 16 models!
Now you can get America's favorite compact—teamed with a lively new V-8. Choose from sixteen models—sedans, hardtops, convertibles, wagons, exciting new Falcon Sprints—add V-8*—and learn just how much fun driving can be.
V-8 powered Falcon Sprints made a dramatic debut in Europe—sweeping their class in the gruelling 2,500-mile Monte Carlo Rallye.
Judge Falcon's championship performance for yourself—test-drive a lively new Falcon V-8 today!
*V-8 engine is standard in Falcon Sprints, optional in other Falcons including station wagons. Not available in Falcon Station Bus and Club Wagons.
America's liveliest, most care-free cars!
FORD
Falcon • Fairlane • Ford • Thunderbird

PALMER MOTOR COMPANY
CLARENDON . . . TEXAS

GOLDSTON NEWS

Mrs. Roy Roberson

Mr. and Mrs. D. H. Padgett of Panhandle, Mr. and Mrs. Paul Schull of Clarendon and Mrs. Wren of Colorado City visited Sunday evening with Mr. and Mrs. R. D. Finley. Mrs. Wren is Mrs. Schull's mother.

Mr. and Mrs. Van Knox of Astola visited Saturday night

with Mr. and Mrs. R. D. Finley. Mr. and Mrs. Jimmy Lee and Jim of Skellytown visited Monday night with Mr. and Mrs. R. D. Finley.

Bob Scull and May Mays of Clarendon visited Wednesday evening with Mr. and Mrs. R. D. Finley.

Roy Hulsey of Vernon visited Tuesday evening with Mr. and Mrs. Edd Ledbetter.

Mr. and Mrs. Bill Bray and family of Lubbock spent the

week end with Mrs. W. E. Bray and Mrs. Johnson. Mrs. Roy Roberson and Minnie Mrs. Jack Pritchard visited Sunday evening with Mrs. V. Littlefield and Bill.

Tommy Buckner of Amarillo visited late Sunday evening with Mrs. V. Littlefield and Bill.

Mrs. Fred Maxwell and Douglas of Wellington spent the week with Mr. and Mrs. Jack Pritchard. Fred Maxwell of Wellington spent the week end with the Pritchards.

Mr. and Mrs. Charlie Sullivan and babies of Idalou had dinner Sunday with her parents, Mr. and Mrs. Roy Roberson, Pat and Minnie.

Mrs. Frank Murray of Hedley Mrs. Grover Heath of Clarendon spent Friday with Mrs. Frank Tyler and children.

Mr. and Mrs. Clyde Drake and Tommy Packwood of Amarillo spent Sunday with Mr. and Mrs. Edd Ledbetter.

Mr. and Mrs. J. L. James visited Saturday night with Mr. and Mrs. Pink Hahn.

Carl Smith of Lubbock spent last Thursday night with Mr. and Mrs. J. L. James.

Mrs. Bob Kidd and children of Clarendon visited Wednesday evening with her parents, Mr. and Mrs. Leonard Putman.

Laymond Garland and Douglas Kidd of Clarendon spent Monday night with Mr. and Mrs. Leonard Putman.

Mr. and Mrs. Leonard Putman and Mrs. Lawrence Hauck of McLean had dinner in Amarillo Sunday with Mr. and Mrs. Danie Jacob and celebrated grandmother Jacob's 86th birthday.

RAY'S APPLIANCE SERVICE

Phone 874-3801
Clarendon, Texas
REFRIGERATION SERVICE & REPAIR
Westinghouse Central Heating & Air Conditioning
D. P. "SNOOKS" RAY
Owner

For Good Insurance KNORPP INSURANCE AGENCY

All Types - All Kinds
Prompt Adjustments
Phone 874-3521
Walter B. Knorpp

LIBRARY NOTES:

EDITH BARNES

Andrew Turnbull has written his biography Scott Fitzgerald in such a manner that it is as interesting and easily read as fiction.

Quoting: "This biography offers a matchless portrait of a great American writer who was also an extraordinarily appealing human being. With a wealth of episodes Andrew Turnbull catches the glow and pathos of Scott Fitzgerald's flamboyant life. Everything is recorded here with the narrative vigor of a novel—from his childhood in St. Paul, to Princeton, New York in the 20's, the French Riviera, Baltimore and finally Hollywood. Here, movingly told, is the love story of Scott and Zelda Fitzgerald, from their exuberant early life together through the years she moved in and out of sanitariums. And here a literary generation comes alive — most particularly Fitzgerald's close friends: Ernest Hemingway, Edmund Wilson, John Peale Bishop, and Ring Lardner. Most important of all Andrew Turnbull has made the reader see and feel

why Scott Fitzgerald could accomplish what he did as an artist."

The slogan for this year's National Library Week is, "READ—The Fifth freedom enjoy it!"

Did you know that so many A students are readers that you wonder whether they are A students because they read or if they read because they are A's.

The experts, who are supposed to know, all agree on this though that a child who is read to from the time they are tiny tots on up way past the time they can read to themselves and have good reading teachers do better in all of their school work.

When you stop and think of it

school work must be mighty boring to one who is a poor reader and consequently understands so little of what the various subjects are about.

If we adults are so smart why do so few of us read the classics? It could be that few of us understand or know what they are all about. What ever the reason or reasons they are not read by many.

So for not just one week a year but every week youngsters should be encouraged to read (encouraged not have it forced down their throats). It will always be true that the desire to read is one that will pay big dividends for all the years of one's life.

Better Reception - More Enjoyment When You Are Connected To The Cable

Call us for a free demonstration in your own home.

Cable Television of Clarendon "TELEVISION AT ITS BEST"

Jim Barrett, Mgr.

OFFICE AT BARRETT'S PORTRAIT SALON
316 South Kearney

Day Phones 874-2330 & 874-3570
Night Phone 874-3689

Eanes Irrigation Service

Well Developing and Repair.
PEERLESS PUMPS
EDWIN EANES
Naylor Route, Clarendon

Contract or Repairs
FRED'S ELECTRIC
Electrical Wiring
APPLIANCE & MOTOR REPAIRING
FRED ROW
Phone 874-2351

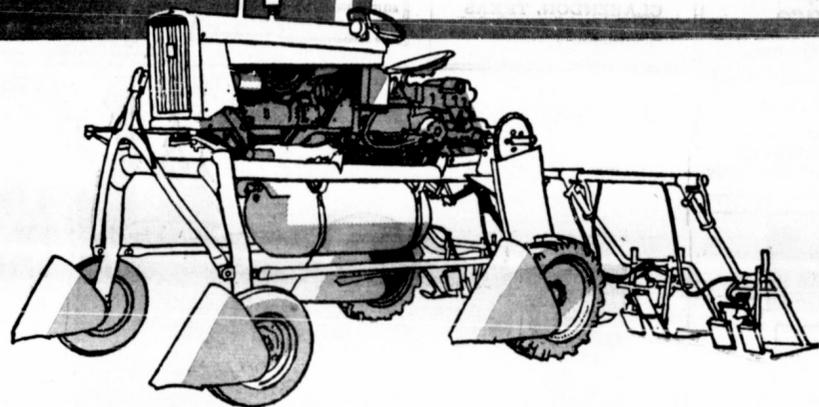


Capital & Surplus \$225,000

Beat The Weeds



DESIGNED FOR FLAME CULTIVATION - BEST FOR SPRAYING, DITCH BANK BURNING, DRAW BAR WORK, MIDDLE SHREDDING



And Hoe Bills

West Gas Co.
DISTRIBUTOR
Clarendon - Brice

LEARN HOW YOU CAN CONTROL WEEDS BY THE MOST ECONOMICAL METHOD AVAILABLE. DO YOUR OWN INSECT SPRAYING AND DEFOLIATION.

Attend Flame Cultivation Clinic

WHERE?

County Court Room

Court House - Clarendon, Texas

Friday Night, Mar. 1, 1963

7:30 P. M.

Lakeview High School

Lakeview, Texas - Monday Night

Mar. 11, 1963 - 7:30 p. m.

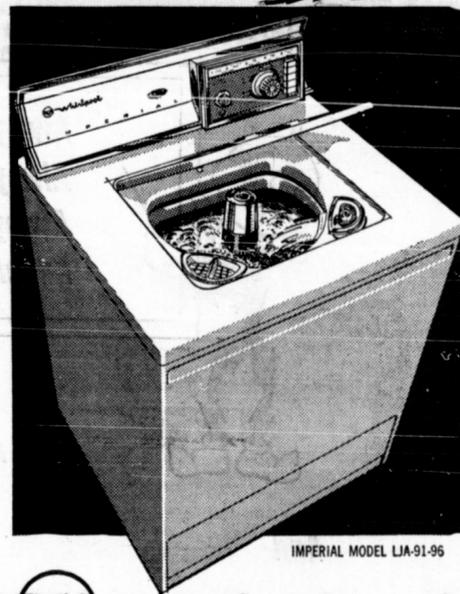
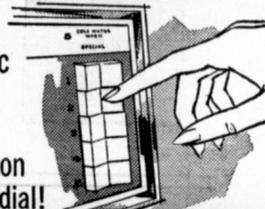
Sponsored by Young Farmers of America

**SEE A LIVE DEMONSTRATION OF BURNER IN ACTION
SEE FILMS OF COTTON AND GRAIN SORGHUM FLAMED THIS PAST SEASON.**

Mr. Farmer! Don't Miss These Meetings!

IT'S SO SIMPLE!

Cleans every washable fabric with exacting care at the push of a button and turn of a dial!



IMPERIAL MODEL LJA-91-96



IMPERIAL AUTOMATIC WASHER

Choose from 5 "self-setting" cycles and the correct washing time, speed and wash and rinse water heats for your load are provided automatically. Washing action of the exclusive Surgilator® agitator gets clothes clean clear through. Automatic dispensers add bleach and rinse conditioner at proper times. Magic-Mix* dispenser filter removes lint, blends in detergent. Thrifty Suds-Miser® suds-return system can save you money (optional). *Tmk

EASY TO OWN, TOO!

Only \$2.50 a Week with Trade

HOUSEHOLD SUPPLY CO.

COMPLETE HOME FURNISHINGS
"We Service and Repair Anything We Sell"
HOME OWNED and OPERATED

CHAMBERLAIN NEWS

Mrs. A. O. Hott

Mr. Harold Darbey of Fort Worth, son of Mrs. D. G. Ballew, was dismissed from the hospital. His mother went to take care of him for a few days. D. G. Ballew went to Sudan to visit his son, Mr. and Mrs. Jo Lyn Ballew, Sunday.

Mr. and Mrs. Milton Mann and daughter of Canyon spent the week end with his parents, Mr. and Mrs. C. L. Mann.

Pfc. Gurvis Kennard of Fort Hood is spending a few days with

his wife, Frances, and daughter, Jennifer, in the home of her parents, Mr. and Mrs. Henry Mann. They visited his parents, Mr. and Mrs. M. D. Kennard at Lesley Sunday.

Mr. and Mrs. Jack McDonald and children and Mr. and Mrs. Ronnie Whisenant, all of Amarillo, visited their parents, Mr. and Mrs. Jess Ivey, last Sunday.

Mr. and Mrs. Lynn Payne visited Mr. and Mrs. W. H. Gray Monday afternoon.

Mr. and Mrs. Wesley Webb and babies of Groom visited his grandmother, Mrs. R. M. Webb, Sunday afternoon.

Mr. and Mrs. J. M. Baker of Hedley visited the lady's sister, Mr. and Mrs. A. B. Ivey, Sunday afternoon.

Mrs. Harvey Shaw visited Mrs. Earl Fox at Lelia Lake Friday afternoon.

There were several from the Chamberlain Community attending the graveside services for Mrs. Della Sue of Amarillo Tuesday. Mrs. Sue is the mother-in-law of Mrs. Velma Heathington.

Mr. and Mrs. A. O. Hott visited Mr. R. O. Thomas and Mrs. Hill at Adair Hospital Thursday.

Mr. and Mrs. Chester Mann and son of Ashtola visited his parents, Mr. and Mrs. C. L. Mann, Sunday. Mrs. Harold Lindley and Jay visited Sunday afternoon.

Mrs. H. H. Word of Quail visited Mr. and Mrs. W. H. Gray Tuesday.

Mrs. D. R. Lindley called on Mrs. A. O. Hott Friday morning.

Mr. and Mrs. Doug Lowe and sons of Jayton spent the week end with his mother, Mrs. Walter Lowe. They and Mrs. Lowe visited Wayne Lowe and other relatives in Amarillo Saturday.

Mr. and Mrs. Oran Hott visited Mr. and Mrs. A. B. Ivey Monday night.

Mr. and Mrs. Ernest Webb of Claude visited Misses Ruth and Nell Corbin Sunday.

Mr. and Mrs. Price Webb at lunch Sunday with his mother, Mrs. R. M. Webb.

Mr. and Mrs. A. O. Hott visited Mr. and Mrs. Leroy Satterwhite Tuesday afternoon.

Mrs. Velma Heathington of Tullia called on Mrs. A. B. Ivey Saturday night.

Mr. and Mrs. Richard Dangler, Mr. and Mrs. Harvey Shaw, Mr. and Mrs. A. B. Ivey and Mr. and Mrs. A. O. Hott attended the Goldston Community supper Saturday night.

Mrs. Lois Robison visited Mr. and Mrs. W. H. Gray Friday afternoon.

Mrs. Otto Elliott visited Mrs. R. M. Webb Tuesday afternoon.

Mr. and Mrs. A. O. Hott called on Mr. and Mrs. Jess Ivey Sunday afternoon.

Mary Mann called on Laura Ivey Monday afternoon.

Mr. and Mrs. Robert Cash and daughter of Amarillo visited her father, Mr. and Mrs. Richard Dangler, Sunday.

Mr. and Mrs. Clyde Gilbreth and children visited her brother, Mr. and Mrs. Troy Newton, and daughter in Canadian Sunday.

Mr. and Mrs. Bob Williams and Bobby visited Bobby's mother, Mrs. Jeanie Merchand, and boys in Canyon Sunday.

Mr. and Mrs. P. L. Shumate of Amarillo visited her sister, Mr. and Mrs. Clyde Wilson, Saturday night.

Mr. and Mrs. H. A. Harrison spent from Wednesday through Friday with her mother, Mrs. Mary E. Patterson, and Mrs. Harrison's sister, Mr. and Mrs. J. J. Wilkes, all at McAlester, Okla.

Mrs. E. L. Speed of Colorado City visited her brother, Mr. and Mrs. Frank Hardin Wednesday night.

Mrs. James McAnear of Brice, daughter of Mr. and Mrs. Clyde Wilson, is sick. Mr. and Mrs. Wilson went to Brice Sunday and got the little girls to keep for a while.

Mr. and Mrs. Holey Longan and boys and Mr. and Mrs. Wayne Baker and children visited Mr. and Mrs. J. T. Stone and family Saturday night.

Mr. and Mrs. Richard Dangler visited Mr. and Mrs. D. G. Ballew Friday night.

Janie Ivey spent Monday night with Marie Blackburn.

Mr. and Mrs. Leonard Putman, Mr. and Mrs. Leonard Dozier and Mr. and Mrs. Charley Young visited Mr. and Mrs. A. O. Hott Monday night.

Mr. and Mrs. Frank Hardin visited Mr. and Mrs. R. F. Fields in Groom Sunday.

Mr. and Mrs. A. B. Ivey and Janie visited Mrs. Minnie Ivey Sunday afternoon.

Mrs. John Watters and Mr. and Mrs. A. O. Hott visited Mrs. Dick Vallance Tuesday afternoon.

Mr. and Mrs. Vance Gray and family of Ashtola ate supper Saturday night with his parents, Mr. and Mrs. W. H. Gray.

Marie Blackburn spent Tuesday night with Janie Ivey.

Mr. and Mrs. Earl Talkington of Amarillo visited her parents, Mr. and Mrs. Leroy Satterwhite, Sunday afternoon.

Mr. and Mrs. D. G. Ballew visited Mr. and Mrs. Richard Dangler Tuesday night.

A. B. Ivey had business in Pampa Tuesday.

Mr. and Mrs. Jimmy Carter of Amarillo and her brother, Jay Lamberth, and their cousin, Ronnie Lamberth, Jr., of Elk City, Okla., spent Saturday night with Mr. and Mrs. A. C. Carter.

Mr. and Mrs. A. O. Hott visited Mr. and Mrs. L. H. Price Sunday afternoon. Their daughter and sons of Turkey also were visitors.

Mr. and Mrs. A. B. Ivey and Mr. and Mrs. Richard Dangler visited Mr. and Mrs. Frank Hardin Sunday night.

Mrs. A. C. Carter ate lunch Thursday with Mr. and Mrs. Nufford Dill at Ashtola.

Ann Porter and Mrs. Katharin Smith and boys of Stamford spent the week end with Mr. and Mrs. Porter.

Tommy Porter of Borger visited home folks.

Mr. Riley Walker of Clarendon is spending a few days with his sister, Mrs. L. M. Porter.

Mr. and Mrs. L. M. Porter, Tommy and Ann, Mrs. Katharin Smith and boys spent Sunday in Borger with Bernice Porter.

The Van Knox family played "42" with the Dois Finleys Saturday night.

Mrs. Vance Gray, Buster and Charlene visited with her sister, Mrs. Johnston, in Claude Sunday.

Friday night, March 2, is meeting time at the Community Center. Bring sandwiches, pie or cake for your group. We will play "42" after we eat at 7:30.

Wilson, Patrol Supervisor of this area.

These wrecks accounted for one person injured and an estimated property damage of \$585.00.

The Highway Patrol Supervisor pointed out that rural motor vehicle traffic deaths, injuries and accidents slightly decreased in the 31 county Panhandle district during January, 1963, as compared with the same month for 1962. Five deaths were tallied last month as compared to 81 for January, 1962. A total of 132 rural traffic accidents were investigated as compared to 162 for January, 1962. "This slight over-all decrease of deaths, injuries and accidents is encouraging, but these figures must be greatly reduced for each of the following months of 1963 if we are to have a safe year in motor vehicle travel," the Sergeant stated.

The Veteran Patrol Supervisor reminded motorists that the law requires all Texans registered motor vehicles to have valid inspection stickers displayed by midnight April 15. The best way to avoid the long line expected

in the last minute rush is to have your vehicle inspected now.

The first legislative body in America assembled at Jamestown, Va. in 1619.

The English Houses of Parliament consist of the House of Lords and House of Commons.

WHITE SWAN SALE AT JUNIOR'S NOW!

- COFFEE**
lb. **59c**
WHITE SWAN
- SPUDS**
10 lb. bag **47c**
IDAHO WHITE
- CARROTS**
pkg. **8c**
- BACON**
2 lb. pkg. **89c**
SUNRAY
- FRYERS**
lb. **29c**
FREDDIE'S GRADE A
- ORANGE DRINK**
46 oz. can **29c**
HI-C
- SALAD DRESSING**
quart jar **37c**
WESTERN GOLD

Junior's Food Market
WE MEET the QUALITY and BEAT the PRICE
Clarendon, Texas Phone 874-3434

GREAT NEWS ABOUT HEALTH PROTECTION REDI-PAY

NON CANCELLABLE	GUARANTEED RENEWABLE FOR LIFE
HOSPITAL ROOM	NO LIMIT
OPERATING ROOM	NO LIMIT
ANESTHESIA	NO LIMIT
CYSTOSCOPIC ROOM	NO LIMIT
HYPODERMICS	NO LIMIT
MEDICINES	NO LIMIT
PENICILLIN	NO LIMIT
AUREOMYCIN	NO LIMIT
STREPTOMYCIN	NO LIMIT
TERRAMYCIN	NO LIMIT
SURGICAL DRESSINGS	NO LIMIT
SURGICAL TRAYS	NO LIMIT
ELECTRO CARIOGRAMS	NO LIMIT
IRON LUNG	NO LIMIT
SPECIAL NURSES	NO LIMIT
X RAYS	NO LIMIT
OXYGEN	NO LIMIT
LABORATORY WORK	NO LIMIT
SURGICAL OPERATIONS OF ANY NATURE	NO LIMIT
DOCTOR BILLS	NO LIMIT

PAYS \$2,500.00 FOR EACH SICKNESS OR ACCIDENT!
REGARDLESS OF HOW MANY TIMES USED PER YEAR!
ALSO COVERS CANCER AND ALL DREAD DISEASES TO \$5,000.00 EACH.
Policies Issued by Old Line Legal Reserve — 0 to 100 Years! No Medical Exam Required! Good Anywhere in the World! Pays Direct to the Insured!

To Receive Free Information Write:
REDI-PAY INSURANCE AGENCY
P. O. BOX 3165 AMARILLO, TEXAS

ASHTOLA NEWS

Mrs. Hubert Rhoades

Mr. and Mrs. Doyce Graham and Mike are in their new home in Clarendon. We will miss these people from our community.

Mr. and Mrs. B. B. Osburn and sons of Martin called in the Jess Nelson home Friday night.

Mr. and Mrs. Doyce Graham had business in Amarillo Tuesday.

Mr. T. E. Trostle of McLean made a business trip to Ashtola Tuesday.

Mr. and Mrs. W. O. Mooring of Lelia Lake helped the Doyce Grahams move.

Mr. H. A. Graham returned from Vernon Tuesday.

Mr. and Mrs. Loren Rhoades of Amarillo visited relatives in Clarendon and Ashtola Sunday afternoon.

Mr. and Mrs. Frank Mahaffey and Hugh visited the Edd Mahaffeyes in Clarendon Sunday.

Mr. F. A. Graham from Muleshoe spent the week end here with the Grahams.

Mr. and Mrs. Slim Henders of Memphis visited Tuesday with Mr. and Mrs. Van Knox.

Mr. and Mrs. L. M. Porter went to McLean to see the Billy Porter's grandchildren through the measles.

Mr. and Mrs. H. S. Mahaffey, Ved and Hugh returned Katherine Perdue to Levelland Friday. Edna Perdue is home from the hospital doing fine. Mrs. Mahaffey will spend a few days in the Perdue home.

Robert and Don Graham of Halfway helped the Grahams move.

Mrs. W. A. Rush of Elida, New Mexico is here visiting a few days.

Mrs. Hubert Rhoades called in the Glynn Helton home at Martin.

Funeral services for Johnnie Sutton were held at Vernon Monday afternoon. He was the brother of Mrs. Harold Graham. Our sympathy to this family.

Mr. and Mrs. Van Knox went to Dimmitt Sunday to a birthday celebration in the home of Mrs. Frank Henderson. The honoree was an uncle, Mr. John Simmons, who was 81 years young.

Mr. and Mrs. Claude Porter of Friona and Mr. and Mrs. Bernice Porter and children of Borger visited in the L. M. Porter home Saturday.

One Rural Accident Investigated In County

The Highway Patrol investigated 1 rural accident in Donley County during the month of January according to Sergeant J. W.



Herbert Shields, Local Distributor

MAKE YOUR HOME IMPROVEMENTS NOW!

ALL OF THESE ADDITIONS



ARE NOW AVAILABLE



THROUGH CONVENIENT

Home Improvement LOANS

We invite you to come in and let us help you with any plans you might have in mind. We will be pleased to explain how easy it is to get one of these loans and the extended repayment plans available.



CLARENDON, TEXAS

PHONE 874-2062

DICK LITTLE, Manager

MOBIL TIPS



"Come on in, the washin's fine."

Car washing and lubrication are specialized services with us. We have the right lubricant and we KNOW where it should go. When we wash your car we CLEAN IT inside and out.

Hommel Mobil Service

Big Enough to Accomodate Small Enough to Appreciate

"We Give S&H Green Stamps" 302 E. 2nd Ph. 774-2327

Society

Mrs. G. W. Estlack, Society Editor
Phone 874-3606

PATHFINDER CLUB HOLDS REGULAR MEETING FRIDAY AFTERNOON

Pathfinder Club met at Patching Club House Friday afternoon, February 22, with Mrs. H. T. Burton and Mrs. W. H. Cooke, III, hostesses.

Mrs. Heckle Stark, president, called the house to order and Mrs. John Bass led the group in the Pledge of Allegiance to the Flag. During the regular business session 21 members answered roll call.

The program was titled "Texas Heritage." The eastern section of Texas was given by Mrs. Lee Holland. Mrs. Morris Ledger gave the coastal region of Texas, and Mrs. Genoa Lowe discussed the heritage of the High Plains of Texas.

The next meeting will be March 8 at which time Mrs. C. E. Bairfield will review "The Preacher's Kids" by Grace Neis

Fletcher.

Attending were Mesdames C. E. Bairfield, John Bass, George Benson, Fred Buntin, Stina Cain, T. M. Caldwell, Jr., Joe Goldston, Wm. S. Greene, Lee Holland, J. H. Howze, Morris Ledger, Genoa Lowe, S. W. Lowe, C. T. McMurry, C. B. Morris, Heckle Stark, C. G. Stricklin, A. T. Cole, Miss Mable Mongole, and the hostesses, Mrs. H. T. Burton and Mrs. W. H. Cooke, III. —Rep.

GOLDSTON CLUB HAS ALL DAY MEETING

The Goldston Club met in an all day meeting in the home of Johnny Bryson Feb. 21. Eight members and one visitor were present. Johnny Bryson, Eleanor Martin and Bonnie Davis received pollyanna gifts.

Next meeting will be an all day meeting with Blanche Gray as hostess March 7. —Rep.

Leader Local Rate — \$3.06 a Year.

ASHTOLA CLUB MEETS FEB. 21

The Ashtola Club met Feb. 21 at the Center. Six members met Thursday morning and one member came in the afternoon, making seven members present. Thirty-five sheets were monogrammed and 25 draw sheets were made for the Adair Hospital. Also, the quilt which was started the last club meeting was finished.

Each lady brought a covered dish for the noon hour, so we all forgot our new year's "pushback" resolutions and really enjoyed our lunch. Mrs. Van Knox was hostess.

Next meeting will be March 7th. We will clean house at the Center. It will be an afternoon meeting. —Rep.

ASHTOLA COMMUNITY CENTER NEWS

There will be a sandwich supper at the Ashtola Community Center Friday, March 1, at 7:30 p.m. Bring your dominos, sandwiches, cake or pie for your party. We will eat first, have the election of officers, and play dominos, so come on time.

If you have your community form or blank filled in please bring it. If you have not received a form, contact Mrs. Hubert Rhoades.

CHAMBERLAIN CLUB MEETS AT CENTER

The Chamberlain Club met last time at the Community Center with Bradis Ballew as hostess. The afternoon was spent visiting and each one brought her needle work.

Refreshments were served to Laura Ivey, Ethel Dingler, Vivian Allen, Earnestine Bates, Clara Mae Carter, Eunice Mann, Mary Mann, and visitors Frances Kenard and baby, Jennifer.

Next club meeting will be held Feb. 28 with Earnestine Bates as hostess. We will quilt. —Rep.

MIDWAY CLUB MEETS WITH MRS. EANES

Members of the Midway Club met with Lucille Eanes Thursday, Feb. 21. One quilt was completed and some work was done on another one.

Those present to enjoy the day were guests: Misses Minnie and Ava Naylor; members, Leona Scott, Jewel Myers, Louise Aten, Loyd Hillis, Ellen Moreland, Allice Quattlebaum, Bulah Sanders, Josie Simmons, Eddie Williams, Elorna Stuckey, Grace Ayers, Ida Pickering and the hostess, Lucille Eanes.

Our next meeting day will be March 7th with Loyd Hillis as hostess. All members are requested to bring a covered dish.

MARTIN QUILTING CLUB MEETING

The Martin Quilting Club met Thursday, Feb. 21, in the home of Edna Osburn. A delicious dinner of fish, shrimp, salads, and desserts was enjoyed by the following members: Elsie Sibley, Lorene Helton, Minnie Carmon, Eunice Land, Blanche Higgins, Sally Christi, Laverne Thompson, Velma Hearn, Rosa Lee Watson, Margaret Waldrop, Hazel Edens, Annie Waldrop, Lois Hutchins, Gay Cole, Lela Bulman, and hostess and daughter, Brenda; and guest, Oddie Moss.

Several pollyanna gifts and late Valentines were received. One quilt was finished.

The next meeting will be Thursday, March 7, with Laverne Thompson. —Rep.

STUDENTS OF MRS. HARMON HAVE MUSIC RECITAL

Mrs. Page Harmon presented a group of her students in a studio recital last Thursday afternoon.

The program consisted of a study of church hymns and other religious selections. Taking part were Ella Sue Castleberry, Levati Formway, Bethyl Eason, Susie Hall and Everett Monroe. Hot chocolate, cup cakes and candies were served.

MRS. O. L. JACOBS HONORED ON BIRTHDAY

Mr. and Mrs. D. L. Jacobs of Amarillo were hosts for a birthday dinner honoring Mrs. O. L. Jacobs, former Donley County resident, on her 86th birthday Sunday.

Among those attending from here were Mr. and Mrs. L. O. Christie and Mr. and Mrs. Leonard Putman. Over fifty relatives and friends were present for this grand occasion.

SODALITAS CLUB TO PRESENT PROGRAM

The Sodalitas Club of Hedley will present a musical program of original compositions by Mrs. Charlotte Ingham Word of Clarendon in the First Baptist Church on Thursday evening, March 7, at 7:30. Mrs. Word will be assisted by Mrs. Frank Phelan, Jr., vocalist, of Clarendon.

Mrs. Word, wife of Millard Word, a Donley County rancher, is both an organist and pianist as well as a composer. She began composing while in high school and has continued to do so through the years.

The vocalist, Mrs. Frank Phelan, Jr. of Clarendon, formerly Miss Wanda Johnson of Childress, will bring full beauty to the compositions through the lyrics composed mostly by Mrs. Word.

A nice crowd turned out Saturday night for our supper. Everyone enjoyed the good music, "42" and Wyo-Whoo. We had folks from McLean, Alanreed, Groom, Hedley, Lubbock, Clarendon and Chamberlain Community. We were surely glad to have all of you and we invite you back anytime.

Our next meeting will be on Saturday night, March 23. We will be looking for you.

We especially thank the musicians for their good music and we would like for them to come back soon. —Rep.

CHAMBERLAIN CENTER SCENE OF MEETING

The Chamberlain Community wishes to thank the good crowd, especially the visitors, for coming out for the box supper Friday night, Feb. 15. Also to thank Mr. Breedlove for selling the boxes. Approximately \$143.00 was taken in and a delicious meal was served.

The next regular meeting will be March 1. The hostesses will be Mrs. Frank Hardin and Mrs. A. B. Ivey. Bring cake and your favorite fruit. —Rep.

LEADER CLASSIFIEDS GET RESULTS

SHURFINE Seedless Blackberry, Apricot, Cherry & Peach PRESERVES 18 oz. jar	2 for 79c
BEETS SHURFINE Sliced — No. 303 can	8 for \$1.00
TOMATOES SHURFINE — No. 303 can	5 for \$1.00
TUNA SHURFINE Chunk Style — 6½ oz. can	4 for \$1.00

FRUIT COCKTAIL SHURFINE — No. 303 can	5 for \$1.00
GRAPE JUICE SHURFINE — 24 oz. can	3 for \$1.00
PORK & BEANS SHURFINE — No. 300 can	9 for \$1.00
SPINACH SHURFINE — No. 303 can	8 for \$1.00
TOMATO SAUCE SHURFINE — 8 oz. can	11 for \$1.00
LUNCHEON MEAT SHURFINE — 12 oz.	2 for 79c
WAFFLE SYRUP SHURFINE — quart	2 for 89c
CUCUMBER CHIPS SHURFINE — 16 oz.	4 for \$1.00
CHEESE SPREAD SHURFRESH	2 lbs. 69c
SALAD OIL SHURFRESH — quart	2 for \$1.00
APPLESAUCE SHURFINE — No. 303 can	7 for \$1.00
PEANUT BUTTER SHURFINE — 18 oz. jar	2 for \$1.00

SPUDS U.S. NO. 1 RED McCLURES	10 lbs. 39c
APPLES ROMAN BEAUTY	lb. 19c
ORANGES CALIF. SUNKIST	lb 19c
GRAPEFRUIT RED RUBIES	2 for 25c

Shurfine YOUNG MOTHER HUBBARD

SPECIAL OFFER SALE

NOW! Fill your bare cupboards for LESS!

Now you can enjoy true COFFEE FLAVOR AUTOMATICALLY FOR ONLY... with \$2.00 food purchase

This handsome 8-1/2 cup West Bend automatic percolator was nationally advertised at \$11.95

\$5.98 COMPLETE WITH CORO

No dials or switches! Easy to clean! Ebony base stays cool for safe serving anywhere.

FEBRUARY 25 THRU MARCH 9, 1963

COFFEE SHURFINE REG. or DRIP	1 lb. can 49c
GOLDEN CORN SHURFINE Whole Kernel or Cream Style — No. 303	7 for \$1.00
CATSUP SHURFINE — 14 oz. bottle	5 for \$1.00
CHILI WITH BEANS SHURFINE — 15 oz. can	4 for \$1.00
SHORTENING SHURFINE	3 lb. can 59c
TOMATO JUICE SHURFINE — 46 oz. can	4 for \$1.00
PEACHES SHURFINE Ylw. Cing. Sled. or Hlvs. — No. 2½ can	4 for \$1.00
MARGARINE SHURFRESH	6 for \$1.00
BISCUITS SHURFRESH Sweetmilk or Buttermilk — 8 oz.	13 for \$1.00
MILK SHURFINE — tall cans	8 for \$1.00
FLOUR SHURFINE	10 lbs. 79c
OLIVES SHURFINE Stuffed Manz Thr — 7½ oz.	2 for 89c

DETERGENT
ENERGY POWDERED — giant box

59c

CLARENDON FOOD STORE
Ph. 874-3546
CLARENDON TEXAS

ALVIN LANDERS WE DELIVER W. E. RAY

PEARS SHURFINE Bart. Halves — No. 303 can	5 for \$1.00
ASPARAGUS SHURFINE All Green Cut — No. 300 can	4 for \$1.00
GREEN BEANS SHURFINE Cut B.L. — No. 303 can	5 for \$1.00
PEAS SHURFINE Early Harvest — No. 303 can	6 for \$1.00
SALMON SHURFINE Red Alaska — tall can	89c
BROOMS ELMDALE	\$1.19
DOG FOOD ROXEY — tall can	13 for \$1.00
FLOUR PRINT SHURFINE	25 lbs. \$1.79
CHERRIES SHURFINE RSP — No. 303 can	5 for \$1.00
PINEAPPLE SHURFINE Crushed — No. 2 can	3 for 89c
SALAD DRESSING SHURFINE — quart	39c
BEAN & POTATOES SHURFINE — No. 303 can	6 for \$1.00

HAMS Wright's Small Size, Half or Whole	lb. 45c
BACON WRIGHT'S	2 lb. pkg. 89c
FRANKS WRIGHT'S	lb. 47c
HAMBURGER FRESH GROUND	lb. 39c

FUTURE HOMEMAKERS OF AMERICA

The FHA girls were guests of Lois and George Schollenbarger and Robert Bain Monday night at 7 o'clock at George's Cleaners shop where the girls learned the fundamentals of cleaning and pressing.

The orders are taken by numbers instead of names and stapled to the garment. The garments then have the spots removed and the perspiration areas are sprayed with soap and water. The clothes were then put in a nylon bag to keep from hanging in the machine or to keep the sweaters from stretching.

They demonstrated the lint removing techniques and showed the brush used on sweaters that pull.

The garments were next washed in naphtha. They explained that the naphtha is purified and more is added as it is needed. The clothes were put in a dryer to remove the moisture. If any spots have been missed they are taken out with steam.

Next they demonstrated pressing pants and dresses with a puff iron and a steam iron and explained pattern pleating.

They explained that evening dresses should be stored in a dark sack because they stretch if left on a hanger. Stuffed toys

and foam rubber filled pillows can be cleaned with a brush and suds such as upholstery cleaner. About forty FHA girls were present and Mrs. Tolleson, Mrs. Longan, Mrs. Risley and Mrs. Gilbreth. —Rep.

LELIA LAKE COMMUNITY MEETING NEXT FRIDAY

Don't forget to attend the regular meeting at the Lelia Lake Community Center Friday evening, March 1, at seven o'clock.

Each family is to bring their own sandwiches, cookies, etc. The hosts, Mr. and Mrs. Bertie Leathers, Mr. and Mrs. Johnny Brittin, and Mr. and Mrs. D. E. Leathers, will serve coffee. Games of "42" and volleyball will be played after the meal. —Rep.

HEDLEY GARDEN CLUB SLATES MEETING

The Hedley Garden Club will meet Tuesday, March 5th, at 3 p.m. in the Lion's Den. Hostesses will be Mrs. Eleanor Stuckey, Mrs. J. M. Baker, Mrs. Herlie Morman, Mrs. W. E. Grimsley will be leader of our program, with meditation, Jonquil; Mrs. A. T. Simmons, Peat Moss; Mrs. W. H. Jones will bring "Dirty Thumb Gardening"; Mrs. John Tate, a poem. Flower of the month: Jonquil. —Rep.

GOOD NEIGHBORS CLUB MEETING

The Good Neighbors Club met Feb. 22nd in the home of Alta Spradlin. A covered dish luncheon was served at the noon hour to Rosa Bingham, Eula Butler, Nova Barker, Emma Davis, Blanche Gray, Bessie Helton, Ruby Jordon, Carrah Mixon, Bennie Crabtree, Alta Spradlin. A get-well card was signed and sent to Lida Warren and Della Barker. One quilt was nearly finished.

Our next meeting will be with Rosa Bingham March 8th. —Rep.

It is reported that as much as one-fifth of American industry's capital spending for new plant and equipment this year may be earmarked for automation and instrumentation.

TEXAS FINE ARTS MEETING IN AMARILLO

A second Regional organizational meeting of Texas Fine Arts Association members to form a Panhandle chapter will be held at Amarillo Art Gallery, 1322 Tyler, Feb. 25, 1963 (Monday evening). At 7:30 p.m. Anyone interested in joining is welcome to attend the meeting. —Mary E. Barrett, Dir.

HUGHINS CLUB MEETS FEB. 19

The Club met Feb. 19th with Martiel Webb as hostess. One quilt was finished. Members enjoying the nice refreshments and good neighbor friendship were Ola Bradshaw, Veda Goad, Frankie McAnear, Mary Lee Noble, Harlene Phillips and boys, Ruth Lindly, Cora Elliott, Wilma Lindly and Jay and Mammie Mills. Our next meeting will be March 5th with Mary Lee Nobles as hostess. —Rep.



AUSTIN — According to a description given the House Appropriations Committee relative to the governor's mansion, it's in bad shape. Howard Rose, executive assistant to Gov. John Connally, says: "On the north side, the mansion is settling so much, there is a gap of several inches between the floor and the bottom of the front door." He added, "There are cracks in the wall and ceiling; a good deal of furniture needs re-stuffing; and the stove won't work right four days in a row." "Also," says Rose, "we have only one coffee table in the

house. If you don't want to hold your coffee cup, you either put it on the floor or balance it on your knee. In the Green Room, there are no pictures. And we don't have eight complete sets of silver."

This prompted Appropriations Committee Chairman Bill Healy of Paducah to comment "I know we've spent between \$100,000 and \$125,000 on the mansion in the last six years."

Governor Connally has not requested any money for major repairs. He is asking for \$32,872 for each of the next two years to operate the mansion, including \$5,000 for utilities; \$1,500 for telephone expenses; and \$2,200 for "other supplies."

DELEGATIONS ORGANIZE — Texas' two largest delegations in the 58th Legislature have organized for the purpose of working closely together "for better representation" of their regions.

An 80-member East Texas delegation elected Rep. John Allen of Longview as chairman. About 30 West Texas legislators chose Rep. Richard C. Slack of Pecos as their leader.

COURT SHUFFLE PROPOSED — Rep. Henry Stollenwerck, young attorney from Dallas, appears to be the most active of the seven republican members of the House.

He is an aggressive participant in the five committees he's assigned to, and has co-sponsored several bills by democrats. Stollenwerck feels he's been able to take an active part without defecting from the republican philosophy to which he adheres.

After Governor Connally chided republican legislators for "obstructionism," Stollenwerck said, "The boys joke with me about what the governor said, and I just joke back and say I would be awfully disappointed if I thought he was talking about me."

He is author of a bill to move 12 district courts from places where filings and caseloads are meager, to more-populated locations with heavy caseloads.

District courts in this state have not been reapportioned since 1907. Several bills have been introduced by big-city legislators who claim their towns need additional courts.

Stollenwerck said some East and Central Texas courts he proposes to move had only 150 filings in 1961, compared to 1,500 filings in many other district courts.

GAME AND FISH MERGER HOT TOPIC — Rep. James Cotter's bill to merge the Game and Fish Commission with the State Parks Board — originally proposed by Governor Connally and the Legislative Budget Board — hasn't come out of committee yet. It's a most controversial subject.

Legislators are beginning to feel pressure from all directions. The South Texas Chamber of Commerce sent them copies of a resolution opposing the merger. Then the Sportsmen's Clubs of Texas issued a statement in favor of the plan.

If the Weatherford representative's bill passes, some of the six members of the Parks Board and nine members of the Game and Fish Commission will lose their posts, since the composite commission would be limited to three members. So some legislators are torn between loyalty to local appointees and a desire to "streamline" state government.

BUDGET TRIMMED — Meanwhile, the current Game and Fish Commission ran into trouble with the Legislative Budget Board. Commission's executive secretary, Howard Dodgen, requested that during 1963 it be allowed to spend the \$9,199,000 it will have available.

But the budget board recommended a biennial appropriation of \$3,662,000 less than the agency requested.

POISON'S DANGER'S CITED — Dr. Irwin L. Sawyer, Jr., of San Antonio, director of the State Veterinary Medicine Association, appeared before the House Committee on Criminal Jurisprudence in favor of a bill by Rep. Howard Green, Fort Worth, to banish thallium pesticides from the market.

Dr. Sawyer described thallium as a heavy metal, which is colorless, odorless and tasteless in sulfate form.

"When mixed, thallium merely waits for a rat, a man, a child or a pet," he stated.

One reason it's so dangerous is that reaction to its poison may be delayed as long as 48 hours. Then it's too late for an antidote. "It's even hard to detect in posi-

tion," said Sawyer.

FARMER LIABILITY LAW — Rep. W. T. Dungan of McKinney ran into some sharp questioning when he brought his bill before the House Judiciary Committee.

Proposed bill would exempt farmers and ranchers from liability damage suits filed by injured sportsmen.

"The hunter pays the farmer to go on his land," Rep. W. H. Miller of Houston remarked. "That puts the farmer in business. Why not exempt the theater owner from damage suits filed by patrons who slip on popcorn sacks?"

After several other similar remarks, Dungan allowed that the wording of the bill might be improved. But he insisted that such a law would encourage more farmers and ranchers to open their lands to sportsmen.

DEFICIT DOWN — Deficit in the State General Revenue Fund was reduced in some two weeks from more than \$60,000,000 to \$35,401,125, according to a report by State Treasurer Jesse James.

Sharp drop was due to quarterly payments on the state's two per cent sales tax.

CRIME SPIRALS UPWARD — Texas' increase in major crimes during 1962 outstripped the population increase, according to Col. Homer Garrison, Jr., director of the Department of Public Safety.

Colonel Garrison said an offense was committed on the average of one every two and one-half minutes last year. Crime jumped 6.6 per cent over the 1961 total.

Largest increase by population groups was 14.7 per cent in cities between 50,000 and 100,000. Largest decrease was 15.5 per cent in counties with less than five people per square rural mile.

APPOINTMENTS — Will Bond of Hillsboro was reappointed by Governor Connally to a six-year term on the board of the State Department of Public Welfare. Bond's term was thus extended to January 20, 1969.

Hunter McLean of Fort Worth, newly-appointed member of the State Board of Insurance, was sworn in by Associate Justice Frank P. Culver, Jr., of the State Supreme Court in Senate chamber ceremonies. McLean succeeds Dr. Joseph F. Trospier of Dallas whose term ended on January 31.

PENSIONS PROPOSED — A bill to provide retirement pensions ranging from \$100 to \$300 a month for elected state officials has been introduced in the House.

Reps. George T. Hinson of Mineola and Joe Chapman of Sulphur Springs are the authors. Hinson said their bill would pension the governor, lieutenant governor, state treasurer, state comptroller, land commissioner, agriculture commissioner, attorney general and members of the Railroad Commission.

REVENUE NOT ENOUGH — Senate finance committee is finding that the state does not have enough revenue in sight to "meet reasonable requests" of state institutions and agencies.

Sen. George Moffet of Chillicothe, chairman of the subcommittee hearing budget requests, told the Senate, "We can't add a lot more items without having a new tax bill."

WRATH OF LADIES — Sen. Martin Dies of Lufkin says he is misunderstood by the ladies. He voted against the "equal legal rights" amendment passed by the Senate.

"I knew I was going to catch it from the women," Dies said. "I wish they could see that I'm not against women's rights."

Dies' quarrel is with the constitutional revision route taken by a Senate majority. He believes statutes operating against women in the management and control of property and other matters should be repealed selectively, without disturbing laws that give women needed protection.

TOURISM PUSHED — Texas business leaders are urging the Legislature to invest State money in tourism in order to get back millions in new revenue.

They estimate a return of \$7,500,000 in direct taxes for an initial outlay of \$250,000. That is the sum proposed for a new Texas Tourist Development Agency.

GOVERNOR HOSPITALIZED — Governor Connally entered St. David's Hospital Sunday for a hernia operation. He will be away from his office for at least three weeks. However, he plans to conduct official business by

telephone from the Governor's Mansion within three or four days after the operation.

PLAUDITS FOR SPEAKER — House Speaker Byron Tunnell has drawn plaudits from Junior Chamber of Commerce officials.

In a brief ceremony in the Capitol, he was awarded life membership in the state, national and local organization.

Tunnell was active for 10 years in the Jaycees. He commended public service to all young people.

CARE FOR NEEDY — Rep. Will L. Smith of Beaumont has introduced a bill to provide medical care for the needy, totally and permanently disabled persons not covered by the current program.

Smith says nearly 8,000 persons now benefit from the state needy disabled program.

LOAN FUND URGED — A state bond issue of \$200,000,000 has been recommended by the Senate Constitutional Amendments Committee.

Purpose is to create a self-financing industrial development loan fund.

Sen. Martin Dies, Jr., of Lufkin, sponsor of the amendment, says it is "a must" to enable the state to induce new industries to come to Texas and existing ones to expand.

FOR PRESERVATION — Reps. Stanley Boyson of Yoakum and John E. Blaine of El Paso have introduced a series of bills authorizing the state, cities and counties to select and protect historic, archaeological and paleontological sites.

One bill would permit local taxes to be spent for the purpose. Two others prescribe fines for destroying or defacing places marked for preservation.

On the state level, the Historical Survey Committee would advise the State Building Commission which structures and sites should be preserved.

ANNEXATION BILLS UNOPPOSED — Two "compromise" bills aimed at curbing abuses of annexation powers by cities drew no opposition at a House public hearing.

Cub Scout News

Plans are under way for the Cub Scouts and their parents to go to Amarillo on Friday, March 8. The boys and their families will carry sack lunches and eat in an Amarillo park. The cars will meet at the Little League ball field at 8 a.m. About 20 cars will be needed and those who can go are asked to contact Jake Lamberth and let him know your plans. The pack committee has decided that we must be insured for our outings so each boy will pay \$1 to your Den Mother for the insurance.

SCHOOL MENU CAFETERIA

Week of March 4-8
Monday: Hamburger on bun, lettuce and tomatoes, pickles and onions, potato chips, sliced peaches, cake with butter, ½ pint milk.
Tuesday: Pork steaks, cream corn, green beans, fresh peas, hot rolls and butter, ½ pint milk.
Wednesday: Baked ham, sweet potatoes, green salad, stewed apricots, hot rolls and butter, ½ pint milk.
Thursday: Turkey and dressing with giblet gravy, creamed potatoes, English peas, cranberry sauce, fruit jello and whip top, butter, enriched bread, ½ pint milk.
Friday: Teacher's Meeting.

Mr. and Mrs. Joe Dilli of Farmington, N.M., announce the arrival of a son February 8. The young man weighed 7 lbs., 3 oz., and has been named Bradley Joe. He is the grandson of Mr. and Mrs. L. N. Cox of Clarendon and Mrs. Myrtle Dilli of Amarillo.

Mr. and Mrs. L. N. Cox returned home Wednesday last after a visit at Farmington, N.M., with their daughter and family, Mr. and Mrs. Joe Dilli and children. While there they became acquainted with their new grand son.

FARM NEWS

from County ASCS Committee

Release And Reapportionment Of Cotton

This will be our last chance to urge you to release any of your cotton allotment that you do not intend to plant. By releasing the cotton, you will receive credit as cotton history the same as if the cotton was planted.

Monday, March 4, is the final date for releasing cotton acreage and also for requesting additional acres. If you have only a few acres of additional cotton that you will not plant, the county committee urges that you please release it so other farmers in the county who like to have more acres can use it.

Feed Grain Program

Have you been in to the Donley County ASCS Office to check on the 1963 Feed Grain Program? If not, we urge you to do so right away. Farmers who have a feed grain base established for their farm will have until March 22 to sign an agreement to participate in the program.

Farmers who participate in the program will be eligible for price support on all the grain they produce on their farm. There is also another new feature to this year's program. It is a price support payment which will be made on the "established" normal yield of the acreage planted to the three feed grains in 1963 (corn, grain sorghum, and barley).

Why not come in and let us explain all the features of the program to you and show you how it applies to your farm?

Thought To Remember

To find happiness you must be willing to ignore what life owes you and think about what you owe life.

REBEKAH POT LUCK SUPPER TUES. EVENING

The Rebekah Lodge will hold their Pot Luck Supper the first Tuesday, March 5. Serving time will begin at 6 p.m. at the Lodge Hall with the charge being \$1 for Adults and 50c for children.

Professor Robert A. Lockard and Assistant Professor James D. Howze from Tech had dinner and visited with Mr. and Mrs. J. H. Howze Wednesday night after having an art exhibit in Memphis.

Visitors in the M. W. Hatley home Sunday evening were their son and wife, Mr. and Mrs. R. V. Hatley, also Mrs. Hatley's niece and husband, Mr. and Mrs. Bill Brune, all of Amarillo, who had supper with them. Mr. and Mrs. O. J. Milham of McLean visited Sunday night.

Mr. and Mrs. Jerry Allen moved to Tulia the past week end. Jerry will work in a job shop there while attending school at West Texas State College, Canyon.

To Late To Classify:

FOR SALE — Coming 2 year old Hereford Bulls. F. J. Hommel. (5-tfc)

Phantom-aire

Don Richards
DACRON*
WORSTED
TROPICAL
\$49.95
An unusual assortment of stripes, plaids and patterns in a light-weight blend of Dacron and Worsted. Superbly tailored, wrinkle resistant and highly proper for any occasion. *DuPont's polyester fiber

Also IVY LEAGUE Suits for the Young Men \$49.95

JOHN'S MEN'S WEAR

Beauty Shop
Special on
OUR REGULAR \$10.00
ZOTOZ
COLD WAVE
This moisture wave solves the problem of correctly waving Limp, Fine or Over soft hair. The Moisture Wrap prevents dry ends and frizze.
FOR ONLY
\$5.00
Saye's Beauty Shop
Phone 874-3844

LUBRICATION SERVICE

No Squeaks Allowed!

● Chasing squeaks out of your car is one of our specialties. You see, taking care of your car means more than just keeping it supplied with gasoline and oil. It means top flight service—the kind of service that adds thousands of miles to the life of your car. Giving your car the care it deserves—and you the service you deserve—is our part in the competitive, progressive oil industry that brings better living to this community. Drive in today and let us serve you!

SHORT-TRIP DRIVING can dangerously increase formation of engine-crippling sludge and varnish. The Super additives in new Havoline Special 10W-30 Motor Oil prevent these formations. This new all-temperature oil actually saves your engine — keeps it running smoothly, powerfully, because it cleans as it lubricates. Try it!

BE SURE TO FIGURE WITH US ON THAT NEW SET OF TIRES — WE CAN SAVE YOU MONEY.

Cornell Bros. Texaco
SERVICE STATION
DUDE CORNELL PHONE 874-3441 BILL CORNELL



CLASSIFIED ADS



All ads are Cash with order, unless customer has an established account with The Donley County Leader.

CLASSIFIED AD RATES

MINIMUM CHARGE 50c
 PER WORD, FIRST INSERTION 4c
 PER WORD, FOLLOWING INSERTIONS 3c

FOR SALE

Before you arrange to finance your new or late model car, compare my new low cost finance rates. I can save you money. Emmett O. Simmons at The Farmers State Bank.

FOR SALE — TYPEWRITER RIBBONS for all Typewriters. Large Assortment. Donley County Leader Office.

United Fidelity Life Ins. Co. Represented by **MIKE McCULLY** Phone 874-3514 or 874-3708

BATTERY SPECIAL 12-mo. guarantee 7.95 Exchange HENSON'S (10-tfc)

ADDING MACHINE RIBBONS FOR ALL TYPES OF ADDING MACHINES Fresh Stock Donley County Leader Phone 2043



Electric Motors for Pump Jacks, Air Conditioners, Jet Pump, Washers, etc. Most sizes in stock. Also Motor Repair. Clarendon Electric & Plumbing.

FOR SALE — All kinds of Posts. Frank J. Hommel.

United Fidelity Life Ins. Co. Represented by **MIKE McCULLY** Phone 874-3514 or 874-3708

FOR SALE — 7 registered bulls. See C. W. Tolleson. Phone 874-2416. (39-tfc)

I have a good 3 room modern house just recently completely finished up. Is well located about 5 blocks on paved street. Has central heating, new cabinet work, nice storm cellar, everything new throughout. Priced to sell. Let me show you this nice home. J. P. Pool. Office telephone 2218, residence 3374. (50-tfc)

7 STOCKER CALVES — Palomino horse, gentle for anyone to ride. Nolan Hill, Clarendon. (5-p)

FOR SALE — 3-Room House. Small down payment, will carry balance. See Jake Lamberth at Dixie Cafe. (3-tfc)

Reliance HOMES
 NO CLOSING COSTS

JENSEN
 Automatic WATER SYSTEMS

Clarendon IMPLEMENT COMPANY

Buy **BUTANE PROPANE** with confidence where you see this Emblem
HOUSEHOLD SUPPLY COMPANY
 Phone 874-2262

HOUSE FOR SALE — See Johnnie Johnson. Phone 874-3781. (20-tfc)

FOR SALE — Bargains in Used Coleman Wall Heaters, 25,000 BTU, with thermostat, in good condition. Ray's Appliance Service. (45-tfc)

FOR SALE — 300 Case Tractor, 2 row equipment, cultivator, planter, good shape; Case hay baler no. 140, wire tie, good shape; John Deere hay rake, fair condition; Hydraulic front end loader, fair; 1953 Dodge pickup, good rubber, good condition; Battery brooder, 500 size, good; 2 bottom mold breaking plow, fair condition; 50 gal. hot water heater on butane; Air conditioner. Phone 874-3754. Richard Cannon. (5-p)

LIGHT FIXTURES — And all types of wiring material, Henson's. (10-tfc)

FOR SALE — 1955 Olds 98 Ford, air and fully equipped. A. R. Henson. (3-tfc)

FOR SALE — 1962 D-19 A. C. tractor on butane, 6 row lister and planter with fertilizer boxes, slightly used; 70 John Deere with all equipment. W. B. Wiggins, West Texas Gin, Hedley, Texas. (2-tfc)

HALE — Stock and Horse Trailers for sale or trade. Henson's. (39-tfc)

BARN YARD FERTILIZER — Ground, underground, spread if you wish. Prices from 1/4-2 cents pound, delivered. DR 3-4558, 219 North Taylor, Amarillo. N. O. Phillips. (2-4c)

SPECIAL — Throw Pillows, reg. \$1.98, now only \$1.09. Household Supply Co. (4-2c)

TRADE — Shetland ponies, ages 1-4 years. Will trade for calves. L. H. Skelton Ph. 2202. (3-3c)

NEED A SIGN
 We now have a complete stock of Day-Glo Card Signs
 4 x 14 Inches 35c
 8 x 14 Inches 69c

Signs carry the following copy:
Apartment for Rent
Cashier
Checks Cashed
Closed
Danger
Employees Only
Exit
Fire Escape
For Rent
House For Rent
For Sale
Furnished Apartment For Rent
Garage For Rent
Help Wanted
Information
Keep Out
Men
No Checks Cashed
No Credit
No Fishing
No Hunting
No Minors Allowed
No Parking
No Pets
Notary Public
No Riders
No Smoking
No Soliciting
No Trespassing
No Vacancy
Not Responsible For Lost Articles
Office
Open
Out To Lunch
Private
Quiet Please
Reserved
Room For Rent
Rooms
Sold
Thank You, Call Again
Vacancy
Waitress Wanted
Women
 Come in and select the signs you need.
DONLEY COUNTY LEADER
 Phone 874-2043

APPALOOSA STUD SERVICE — 2 stallions to choose from. Double your money back for sound weaning colts from either stud. John Chapman, Rt. 1, Clarendon. (6-p)

USED TV SETS FOR RENT. Inquire at Henson's. (38-tfc)

I have a Kid Pony for sale. Lee Holland. (2-tfc)

I have bought E. C. (Red) Moore's gravel hauling truck. I would appreciate serving all your sand and gravel needs. I have concrete sand and gravel, base material for driveways, fill dirt for yards, gravel for irrigation wells. Carl Morris, Jr., 321 N. 9th, Memphis. Carl W. Morris, Box 86, Hedley. (3-3c)

FARM & RANCH Bookkeeping systems now available at the Leader office. Also General Bookkeeping systems. Government approved.

20 x 28 FRAMED MIRROR — Reg. \$9.70 — Now on Special at \$7.85. Household Supply. (5-c)

FOR RENT

OFFICE SPACE — Rooms or Suites. Will remodel to suit. Tunnell Pharmacy Building. (27-tfc)

FOR RENT — Vacant apartment March 1 — unfurnished or partly furnished, good condition, 5 rooms and private bath. 1 1/2 blocks from town on pavement. Blocker Apts. See Claude Mann or Gene Alderson. (2-tfc)

FOR RENT — One 2 bedroom unfurnished and 1 furnished apartments. 2 furnished bedrooms. Phone 2373. (4-tfc)

FOR RENT — 2 large furnished rooms, kitchen privilege if preferred, on pavement 2 blocks from Main St. Phone 3478. (2-tfc)

FOR RENT — 2 bedroom downstairs furnished apartment. 502 E. 2nd. Ph. 874-3469. (2-tfc)

FOR RENT — Furnished apartment, conveniently located to both schools. Bills paid. Mrs. Melvin W. Cook, 715 West 6th Street. Phone 874-2397. (28-tfc)

ROOM and Board: Reasonable. Mrs. Ruby Bromley, Ph. 2186. (15-tfc)

FOR RENT — Large 2 bedroom apartment, furnished. 210 McClellan. Call 874-2022. (3-tfc)

FOR RENT — 4 room furnished apartment, private bath, 216 E. 4th. Mrs. Estal Clark. (6-p)

FOR RENT — 4 room brick house, unfurnished. Call Shelby Bell, 3514 or 2077. (5-tfc)

MISCELLANEOUS

FREE DEMONSTRATION — On Singer Sewing machines any day. In Clarendon on Thursdays. Contact Goodman Furniture. Gordon Maddox, Sales-Service, Memphis, Texas. (38-tfc)

ROY M. HORN Typewriting and Adding Machine repair service. Wellington, Texas. Call Donley County Leader office regarding any kind of repair service, 874-2043. (13-tfc)

JOHNNIE BATES SHINER WILL Be open for SHOE SHINING business every Sunday morning from 8 to 10:30 a.m. at Phelps-Hicks Barber Shop.

United Fidelity Life Ins. Co. Represented by **MIKE McCULLY** Phone 874-3514 or 874-3708

Alcoholics Anonymous meet every Monday night, 8 p.m., first door east of Telephone office in Latson building. All interested are invited.

NOW IS THE TIME — To install a Quality Storm Door at a reasonable price. All standard sizes in stock. C. D. Shamburger Lumber Co. (38-tfc)

Engraving

Makes gifts more gracious. Possessions more prized.

OUR ENGRAVING DEPARTMENT IS AT YOUR SERVICE.

HENSON'S

HUDGINS NEWS

Mrs. Carl Barker

Mrs. Joe Starnes of Abilene spent Wednesday with Mr. and Mrs. D. R. Koontz.

Kermit Hopper and Guy Wedell of Happy spent Friday with Mr. and Mrs. Coleman Shields. Mr. and Mrs. Gary Rogers and Kim of Childress, Clea Koontz of Amarillo, Mr. and Mrs. Roy Lee Helms and Paula visited the week end with Mr. and Mrs. D. R. Koontz.

Mr. and Mrs. Earl Myers, Mr. and Mrs. W. C. Scott, Mr. and Mrs. W. D. Higgins visited Thursday night with Mr. and Mrs. Carl Barker.

Mr. and Mrs. Ted Richards of Amarillo spent Saturday night with Mr. and Mrs. C. L. Mixon.

Mr. and Mrs. Schlee and baby Mrs. Essie Dunlap of Comanche spent Saturday with Mr. and Mrs. D. T. Smallwood.

Mr. and Mrs. Bright Newhouse and girls had supper with Mr. and Mrs. Coleman Shields Sunday night.

Mr. and Mrs. Howard Hunter and children of Hereford spent the week end with Mr. and Mrs. Elmo Fortenberry and girls.

Mrs. G. D. Cross had dinner Sunday with Mr. and Mrs. D. R. Lindley.

Mrs. C. W. Martin had business in Amarillo Wednesday.

Mr. and Mrs. Otto Elliott spent Sunday with Mr. and Mrs. Jack Brodgon and children in Borger.

Mr. and Mrs. Glen Reeves and Terry visited Thursday night with Mr. and Mrs. Otto Elliott.

Mr. and Mrs. Troy Petty of Rogers, Ark., spent the first part of the week with Mr. and Mrs. Marshall Harp. They all spent the week end with relatives at Lubbock and Hale Center.

Mrs. J. H. Helton is on the sick list.

Vida and Jo Ann Shields and Sue Butler shopped in Amarillo Saturday.

Mr. and Mrs. W. M. Cross of Childress visited Friday with Mr. and Mrs. D. T. Smallwood.

Mr. and Mrs. Edward Richards and boys of Hereford visited

FREE REMOVAL of dead stock. Call Clarendon Veterinary Clinic TR 4-3360 or DI 9-2211 Collect, Amarillo Rendering Co. (45-tfc)

VENETIAN BLINDS — Repaired or new blinds for sale. G. A. (Andy) Robertson. (27-tfc)

DOG OWNERS - HUNTERS — Please take notice. Poison bait traps will be in use on the Estate of W. J. Lewis ranches in Hall and Motley counties from Oct. 15, 1962 thru April, 1963 (36-tfc)

"DOES PUBLIC OPINION INTEREST YOU?"

We are seeking capable people to do interviewing for The Gallup Poll on a part-time basis in RURAL DONLEY COUNTY. Rate: \$1.35/hr plus 8c for mileage. Write, sending complete resume of qualifications and job experience, including age and educational background. Apply to Public Opinion Surveys, Inc., 53 Bank St., Princeton, New Jersey. (5-c)

SEND ME — Your subscription to Southwestern Crop & Stock, farm magazine published in West Texas covering area news. Special Price, 5 years for \$3.00, and receive a copy of Uncle Zeb's Book, Plowin' Out The Corners Absolutely FREE . . . Send only \$3.00 to: Uncle Zeb, Box 325, Claude, Texas. (9-p)

Man or Woman OWN YOUR OWN BUSINESS A new item. First time offered. Star in spare time, if satisfied then work full time.

Refilling and collecting money from bulk machines in this area. To qualify you must have a car, reference, \$500 to \$1,000 cash to secure territory and inventory. (Deposit secured by written contract.) Devoting a few hours a week to business your end on percentages of collections should net above average income with very good possibility of taking over full time. Income increasing accordingly. If applicant can qualify financial assistance will be given by Co. for expansion to full time position. Include phone in application. Box 640, Clarendon, Texas. (5-p)

Monday with Mr. and Mrs. C. L. Mixon.

Mr. and Mrs. Goble Barker of Hedley, and Mr. and Mrs. Don Barker of Amarillo visited during the week end with Mr. and Mrs. Carl Barker.

Dub Elliott and Bobby Radke of Dimmitt were home the week end.

Mr. and Mrs. Dude Cornell and Bill visited Saturday night with Mr. and Mrs. Otto Elliott.

Iva Hinkle of Dumas was home the week end.

SOIL CONSERVATION DISTRICT NEWS

SCD NEWS

Parallel Terraces

Parallel terraces perform the same functions as conventional terraces. The primary differences between the two types are that parallel terrace systems have fewer point rows and lesser concentrations of runoff. Cheaper and simpler farming operations and lessening of the hazard of costly failures are benefits that may be had by a well planned parallel terrace system.

Old terraces, embankments, and fence rows should be leveled before layout begins. The field to be terraced should be naturally smooth with uniform slope or land forming should be performed to obtain smooth, uniform slopes. All depressions in the field that cannot be economically filled and leveled, should be used and treated as waterways. This is to avoid ponding of water if possible.

The distance between any two terraces should be the same to permit an even number of rows to fit the machinery being used. Terrace spacing is based on the slope of the land like any of the conventional terraces.

Parallel terraces should be put

on smooth gentle slopes so each row can drain the excess water into a waterway to prevent terraces from breaking.

Contact your local Soil Conservation District for application of this type of terrace system.

Sand Sagebrush Control

Brush and weed control is the best means of range improvement per dollar invested we know for sandy sage range. For a range to be suitable for sage control, it should have a good showing of blue grama and should not be the high dune type of range. With proper management you can expect to increase your grass production 50% or more for 10 to 20 years.

About 75% of the sand sagebrush can be killed by spraying in May or early June, but only if the plants are growing actively and after they have reached full leaf. One pound of 2-4-D ester in 3-5 gallons of diesel oil with a water-oil emulsion should be used. This should be kept well agitated to prevent separation of the material. This application will cost about \$3.00 per acre.

You may also control your sand sagebrush and weeds by mechanical means, using a brush beater or a mowing machine equipped with heavy duty parts. This is a very slow and costly operation. It must be done during the month of June for two

consecutive years. Under either treatment the range will be deferred for the entire first growing season following treatment unless the range condition is good or better following brush control and climax grasses are in a high state of vigor and production; and when pastures are large enough that the treated areas can be given reasonable protection from overuse by control of livestock.

The Donley County Soil Conservation District can furnish information and cost-share information to any interested participants interested in Brush Control application.

CHELAN, WASH, MIRROR "The national problems would disappear if two-thirds of our people acted in the common good and for the general welfare."

"OLD MASTERS" LIQUID WOOD

Transforms Old Drab Mismatching Pieces of Furniture and Woodwork Into Beautiful Modern Wood.

J & W LUMBER & SUPPLY

NOTICE
 We Have Recently Installed MAYTAG WRINGER TYPE Washing Machines

These are Coin Operated and you can wash for

10c

For your drying convenience we have a coin operated Extractor.

WASH DAY or NIGHT
 Automatic Machines or Wringer Type.

DUNCAN
 Automatic Laundry

For **COLDS** take **666**

NOTICE
 Let me figure with you on your **PLUMBING & HEATING** 35 Years Experience Here to Stay State Licensed & Bonded **L. L. TAYLOR** PHONE 874-2378

LEAPIN' LEPRECHAUNS
WHAT BUYS!

BUBBLE BATH QUART 88c	LARGE STUFFED TOYS REG. \$3.98 & \$4.98 NOW \$2.49	DORMEYER HAND MIXER \$13.88
HAND & BODY LOTION QUART 88c	SPECIAL COFFEE SETS REG. \$10.95 ONLY \$7.95	MEN'S Handkerchiefs Full Size, Soft Finish, Good Quality 8 for \$1.00
LADY BROOKE Shoe Cosmetic COMPLETE KIT \$1.60	Universal Immersable BUFFET SERVER REG. \$19.95 \$15.95	REG. \$29.95 Transistor Radio Baseball Shape, ear phones and stand \$15.95
COLDENE Liquid Cold Medicine REG. \$1.00 64c	WHITE HOBNAIL VANITY LAMPS \$2.98	FOUNTAIN SERVICE PLATE LUNCH With Drink & Dessert 85c
DRISTAN COUGH SYRUP Reg. \$1.25 69c	FREE Bath Sponge WITH 98c SIZE COETS	Hamburgers . . . 25c Sandwiches . . . 35c MALTS & MILK SHAKES 25c
STACK STOOL \$1.98		

CITY DRUG

MARTIN NEWS

Mrs. Raymond Waldrop

Mr. and Mrs. Billy Hill and children visited Tuesday night with Mr. and Mrs. Clarence Moss and Shirley.

Mr. and Mrs. Raymond Waldrop visited Friday night with Mr. and Mrs. Bob Anderson.

Bro. Waymond Culp ate lunch Sunday with Mr. and Mrs. Ollie Thompson and family.

Mr. and Mrs. James Owens and family, Mr. and Mrs. Raymond Waldrop and family visited Mr. and Mrs. Guy Sibley Sunday afternoon.

Mrs. Jo Ann Benton and Rick moved in to town Saturday.

Mrs. Lena Smith was a dinner guest of Mr. and Mrs. L. L. Waldrop Sunday.

Mr. and Mrs. F. O. Hodge and Mr. and Mrs. Raymond Waldrop and Beth visited Sunday night with Mr. and Mrs. L. L. Waldrop. Mr. Waldrop has been ill for the last week.

Mr. and Mrs. Bob Cole visited Saturday night with Mr. and Mrs. W. D. Higgins.

Mr. and Mrs. Steve Reynolds, Mr. and Mrs. James Owens and family visited Saturday night

with Mr. and Mrs. Jimmy McAnear.

Mrs. W. D. Higgins visited Sunday afternoon with Mrs. Clyde Gilbert.

Odell Osburn spent Friday night 'til Sunday in the Northwest Texas Hospital. Those to visit the Osburns Sunday were Mr. and Mrs. Pete Land, Mr. and Mrs. Leon Foster, Bro. Culp and Mr. and Mrs. W. G. Tims.

Mr. and Mrs. Raymond Waldrop went to Amarillo Friday on business.

Mrs. Minnie Cannon stayed Friday night with Judy and Brenda Osburn.

Bro. Culp visited in the Clarence Reynold home and C. E. Jackson home Sunday. We have had a number of sick people in our community this past week, but they are all better at this time.

Mr. and Mrs. Steve Reynolds and children visited Sunday afternoon with Mr. and Mrs. Wes Sullivan.

Mr. and Mrs. D. E. Stevenson are visiting their daughter, Mrs. Juanel Mullings and family for two weeks in Brownfield.

Mrs. Ellene Jackson came home Sunday from the hospital in Amarillo.

Mr. and Mrs. W. G. Tims of Lockney stayed Saturday and Sunday with their granddaugh-

ters, Brenda and Judy Osburn.

Mr. and Mrs. W. D. Higgins visited Thursday night with Mr. and Mrs. Carl Barker.

Guy Sibley, Raymond Waldrop, Jack Edens and Charlie Hearn went to Amarillo Monday to the cattle sale.

Mr. and Mrs. Jack Edens spent Sunday in Borger with Mr. and Mrs. Melvin Gilcrest.

Mr. and Mrs. Burl Wynn and children of Alanreed were supper guests of Mr. and Mrs. Jack Edens Wednesday night.

Bro. Waymon Culp spent Saturday night with Mr. and Mrs. Buck Roberts.

Mr. and Mrs. K. Smith of Plainview spent Monday night with Mr. and Mrs. L. O. Christie.

Mr. and Mrs. Troy Petty of Rogers, Ark., Mrs. Marshall Harp spent Wednesday afternoon with Mrs. L. O. Christie.

Mrs. Lois Hutchins and Mrs. Blanche Smith visited Sunday afternoon with Mr. and Mrs. Buck Roberts.

Mr. and Mrs. L. O. Christie visited with her mother, Mrs. O. L. Jacobs, in Amarillo. Mrs. Jacobs celebrated her 86th birthday Sunday.

Mr. and Mrs. Charles Roberts and family of Amarillo spent the week end with Mr. and Mrs. Buck Roberts.

Mr. and Mrs. D. A. Watson and family, Mrs. Rosie Watson, Peggy Chisim and Donna Morrow of Groom were dinner guests of Mr. and Mrs. L. A. Watson Sunday.

Nancy Ashcraft, Faylon Watson and Mr. and Mrs. Bob Cole visited in the afternoon.

Mrs. Lorene Helton, Mrs. Odie Moss, and Mrs. Rose Lee Watson visited with Mrs. Elsie Sibley Monday afternoon.

Mr. and Mrs. L. A. Watson visited Saturday night with Mr. and Mrs. Ollie Thompson.

Mr. and Mrs. Wesley Ashcraft and family, Mr. and Mrs. Jack Mix and Gene Row of Memphis visited Sunday with Mr. and Mrs. Woodrow Ashcraft.

Mr. and Mrs. L. A. Watson called on Mr. and Mrs. C. I. Casteel Sunday night.

Mrs. Othel Elliott and Mrs. Charlie Hearn went to Memphis Monday.

Mr. and Mrs. Charlie Hearn and Shirley visited with Mr. and Mrs. Glenn Helton Saturday night.

Mrs. Othel Elliott and Janie Easterling spent Sunday with the Hearn.

Mr. and Mrs. Joe Sasser and daughter of Amarillo visited Saturday afternoon with her parents, Mr. and Mrs. Woodrow Ashcraft.

Mrs. Joann Benton spent Thursday night and Friday in Amarillo with relatives.

Mrs. Veda Elliott spent Sunday night with Mr. and Mrs. Herbert Elliott.

HEDLEY NEWS

Mabel Bridges

Mr. and Mrs. J. F. Hill are visiting their daughter and family in Graham.

Mr. and Mrs. Gene Allison spent Thursday in Abilene attending a business meeting of West Texas Utility.

Mrs. R. M. Saunders visited in Littlefield this week with relatives.

Mr. and Mrs. Ruben Johnson announce the arrival of a little daughter born Feb. 22 weighing 8 lbs., 4 oz., named Sue Carol. Hedley grandparents are Mr. and Mrs. Harry Mendenhall and Mr. and Mrs. W. G. Johnson.

Mr. and Mrs. Carl Morris, Jr., of Memphis are the parents of a fine son born Feb. 21 named Tommy Joe. He weighed 8 lbs. Hedley grandparents are Mr. and Mrs. Carl Morris, Sr.

Dr. and Mrs. C. S. Whitmore of Harrison, Ark., announce the arrival of a fine son Feb. 19

weighing 7 lbs., 5 oz., named Mark Cameron. Mrs. Whitmore will be remembered by Hedley friends as Joan Moreman. Mr. and Mrs. Ray Moreman are the Hedley grandparents. Mrs. R. E. Mann is the great-grandmother.

John Maddox of Medicine Mound spent Sunday with his brother, Ted and family.

Mr. and Mrs. Harry Boatright returned to Boys Ranch Sunday where Mrs. Boatright teaches. Harry has been ill in a Memphis hospital. Glad to report he is able to return to Boys Ranch.

Happy to learn Tom Tate is showing improvement after a serious heart attack. He is still in Odom Hospital in Memphis.

Charles Rains of Amarillo spent the week end with his mother, Mrs. W. I. Rains and Ike.

Mr. and Mrs. Leonard Wall returned home Sunday after spending two weeks in Fort Worth with their daughter, Mr. and Mrs. George Hinson.

Mrs. Mabel Bridges spent the week end in Amarillo with her children.

Sonny Myers of Fort Worth visited his father, the Johnny Myers family, over the week end.

Lt. Col. Jerry Hunt of Alexandria, Va., visited his father Mr. and Mrs. Jay Hunt, last week. Mr. and Mrs. Robert Grace of

Lubbock were recent visitors in the home of Rev. and Mrs. Gene Grace.

Mrs. Herman Kirkpatrick is in Amarillo hospital receiving medical care.

The R. C. Dents of Fort Worth visited the lady's mother, Mrs. R. E. Darnell Wednesday and Thursday. Mr. and Mrs. Dent and Mrs. Darnell visited Mr. and Mrs. R. O. Thomas in Clarendon. Mr. Thomas is ill in Clarendon hospital.

Why not subscribe for The Donley County Leader and keep up with what is going on in the county? Last week so many borrowed The Leader to read the county news. Your Hedley Reporter will be happy to have your subscription — only \$3.06. Call me if you want to read The Leader.

Over \$2.4 billion of new issues of school bonds for public, elementary, and secondary schools were sold in 1962, the Investment Bankers Association of America announced, on the basis of incomplete tabulations. This total is second only to the record total in 1961 when sales of such bonds exceeded \$2.5 billion.

Leader—Local rate, \$3.06 a year

Shurfine YOUNG MOTHER HUBBARD

'SPECIAL OFFER'

SALE

\$5.98

COFFEE FLAVOR AUTOMATICALLY

FOR ONLY \$5.98

COMPLETE WITH CORD

NO DIALS OR THERMISTERS! EASY TO CLEAN!

Easy to use stays cool for safe serving anywhere.

NOW! Fill your bare cupboards for LESS!

WE NOW SELL TENDERCRUST BREAD

HOME GROWN FRESH FROZEN

HENS

lb. 29c

PREMIUM GRADE BACON

2 lbs. 89c

GOLDEN CORN SHURFINE Whole Kernel or Cream Style — No. 303	7 for \$1.00	COFFEE SHURFINE REG. or DRIP	1 lb. can 49c	HAMS WRIGHT'S Half or Whole	lb. 45c
SHORTENING SHURFINE	3 lb. can 59c	CHILI WITH BEANS SHURFINE — 15 oz. can	4 for \$1.00	BOLOGNA ARMOUR'S STAR All Meat	3 lbs. \$1.00
TOMATO JUICE SHURFINE — 46 oz. can	4 for \$1.00	WAFFLE SYRUP SHURFINE — quart	2 for 89c	DOG FOOD ROXEY — tall can	13 for \$1.00
PEACHES SHURFINE Ylw. Clng. Sled. or Hlvs. — No. 2 1/2 can	4 for \$1.00	CUCUMBER CHIPS SHURFINE — 16 oz.	4 for \$1.00	FLOUR PRINT SHURFINE	25 lbs. \$1.79
MARGARINE SHURFRESH	6 for \$1.00	CHEESE SPREAD SHURFRESH	2 lbs. 69c	CHERRIES SHURFINE RSP — No. 303 can	5 for \$1.00
BISCUITS SHURFRESH Sweetmilk or Buttermilk — 8 oz.	13 for \$1.00	SALAD OIL SHURFRESH — quart	2 for \$1.00	PINEAPPLE SHURFINE Crushed — No. 2 can	3 for 89c
MILK SHURFINE — tall cans	8 for \$1.00	APPLESAUCE SHURFINE — No. 303 can	7 for \$1.00	SALAD DRESSING SHURFINE — quart	39c
FLOUR SHURFINE	10 lbs. 79c	PEARS SHURFINE Bart. Halves — No. 303 can	5 for \$1.00	BEETS SHURFINE Sliced — No. 303 can	8 for \$1.00
FRUIT COCKTAIL SHURFINE — No. 303 can	5 for \$1.00	ASPARAGUS SHURFINE All Green Cut — No. 300 can	4 for \$1.00	TOMATOES SHURFINE — No. 303 can	5 for \$1.00
GRAPE JUICE SHURFINE — 24 oz. can	3 for \$1.00	GREEN BEANS SHURFINE Cut B.L. — No. 303 can	5 for \$1.00	TUNA SHURFINE Chunk Style — 6 1/2 oz. can	4 for \$1.00
PORK & BEANS SHURFINE — No. 300 can	9 for \$1.00	PEAS SHURFINE Early Harvest — No. 303 can	6 for \$1.00	PEANUT BUTTER SHURFINE — 18 oz. jar	2 for \$1.00
SPINACH SHURFINE — No. 303 can	8 for \$1.00	SALMON SHURFINE Red Alaska — tall can	89c	OLIVES SHURFINE Stuffed Manz Thr — 7 1/2 oz.	2 for 89c
TOMATO SAUCE SHURFINE — 8 oz. can	11 for \$1.00	BROOMS ELMDALE	\$1.19	BEAN & POTATOES SHURFINE — No. 303 can	6 for \$1.00
LUNCHEON MEAT SHURFINE — 12 oz.	2 for 79c	SHURFINE Seedless Blackberry, Apricot, Cherry & Peach PRESERVES 18 oz. jar	2 for 79c	CATSUP SHURFINE — 14 oz. bottle	5 for \$1.00

WHITE 10 lb. cello bag **POTATOES 49c**

VINE RIPENED TOMATOES pound **25c**

EAST TEXAS Sweet Potatoes pound **10c**

W. E. CLIFFORD

"DOUBLE STAMP DAY EVERY WEDNESDAY"

We Give **J.N.** **top quality** **GROCERY** and

SHURFRESH CRACKERS 1 lb. packages **2 for 49c**

Green Stamps PHONE 874-2425 — WE DELIVER MARKET

NEW TROOP . . . (Continued from Page 1.)

who made their supper a success, especially do they thank those merchants who so generously donated the food and supplies. Thanks to Vallance Food Liner, Clifford's Grocery, Junior's Food Store, Pointers Grocery, Clarendon Food, Lee's Cafe, Mrs. Brumley's, and all other individuals who made donations.

The scouts in this new troop numbers 14 at the present date with Paul Hancock as their Scoutmaster and E. H. Monroe and J. E. Kidd as Assistant Scoutmasters. Scouters are Chuck Adkins, Frankie Ellis, Larry Kidd, Ferol Shelton, Pat

BARNHILL THEATRES

Gary Barnhill, Clarendon, Texas

MULKEY THEATRE

NIGHT SHOW TIME - 7:00 P.M. SUNDAY MATINEE - 2 P.M.

Last Time Thurs., Feb. 28

CAPTURE THAT CAPSULE Richard Miller - Dick, O'Neal

Fri. & Sat., March 1-2

YOUNG GUNS OF TEXAS James Mitchum - Alana Ladd Jody McCrea In Color

Sun., Mon., Tues., March 3-4-5

Billy Roses' JUMBO Doris Day - Stephen Boyd Jimmy Durante - Martha Raye In Color

Wed. & Thurs., March 6-7

HELL BENT FOR LEATHER with Audie Murphy In Color

Chilton, Everett Monroe, Joel Greene, David Holland, Tommy Saye, David Taylor, Eddy Gettys, Mike Jones, Terry Ashcraft, and Bobby Leeper.

The requirements for admission to this new troop are that a boy must be at least 11 years old and not over 17. He must be willing to work and to get along with other boys and have the desire to become a good scout, thus making himself a better man.

The boys have planned a full year of work and play. The troop meets weekly on Monday afternoon at 6:30 at the First Christian Church. Their meetings are supervised by at least two adult scout leaders at each meeting. At the present the Troop is divided into two patrols, the Buffaloes and the Flaming Arrows. Everett Monroe is the Patrol Leader for the Flaming Arrows and Larry Kidd is the Patrol Leader for the Buffaloes.

County Agent Busy Judging Show

County Agent Flip Breedlove has been busy judging shows this past month in addition to attending the shows that his 4-H members were competing in with their own steers.

Shows judged by the County Agent were the Randall County Livestock show, Tri-County Show at Dalhart, and he will judge the Quitaque Show on the 16th and will be the sifting judge of the Lubbock show on the 17th of March. The Lubbock show is composed of 29 counties and will have about 250 steers in the show.

Mr. and Mrs. Billy Jones and daughter and Mrs. Veda Goad and Butch visited Rev. and Mrs. Genoa Goad at Dickens and Mrs. Dona Jones at Ralls through the week end.

Troop 38 Makes Plans To Attend Camp Kiowa Report On Home Service To Donley Co.

Plans for the operation of Camp Kiowa, Adobe Walls Council summer camp, are being completed. Troop 38, sponsored by the Lions Club, M. M. McCully, Scoutmaster, plans to attend and has reservations made.

Campsites are filling up fast. Thirty-five troops have already made plans to attend camp this summer. Improvements are being planned for each campsite to be occupied by the Scouts. Improved sanitation facilities and patrol tables will be placed on each campsite.

There will be 28 members on the central camp staff to assist each troop attending camp. Stina Cain will be the program director and will direct the program during the five weeks of camp operation. Kenneth Price and Bob Cain will serve on the camp staff and will assist in the Scoutcraft section.

Additional equipment will be added to the waterfront. The additional boats and canoes will give more Scouts an opportunity to pass boating, canoeing, swimming, and life saving merit badges. A Moskeet range is being added along with a field archery range. Scouts attending camp will get an opportunity to participate in a well rounded physical fitness program, scoutcraft, marksmanship, archery, swimming and fun around the campfire.

Food will be served to the Scouts in the large dining hall prepared by experienced cooks and served in large quantities to the Scouts.

The camp will be directed by Tex McCoy, District Executive for the Comanche District. McCoy has had 21 years experience in Scout camping and has directed Scout Camps in Texas, Oklahoma, and New Mexico.

Home Service is one of the many services rendered by the American Red Cross. It continues to be an important part of the services rendered by the Local Chapter. A summary of the Donley County Chapter activities in Home Service for the past 12 months has been released by Mrs. W. J. Adams, Chapter Chairman. Mrs. Adams emphasizes the fact that this is all volunteer work, and that no one is paid for time or travel used in performing these services.

This summary shows that there have been 121 calls on the Local Chapter for assistance; 101 of these calls have been made by Donley County residents and 20 have been made by others (mostly travelers in need of food, lodging or gasoline). The 101 local requests were made by 25 individuals or family units, of which 13 were servicemen or their dependents. Of the 20 requests by non-resident, three were made by servicemen and six were by veterans.

These services and aid amounted to \$794.33 plus the cost of telephone calls and telegrams. \$120.00 was loaned to servicemen, \$100.00 of which has been repaid and \$20.00 was not recoverable. A total of 48 long distance telephone calls, telegrams and letters were necessary. Approximately 117 hours of volunteer service and 425 miles of driving were needed to render these services in the county.

Mrs. Adams says that the Local Chapter has made every effort to do a good job of meeting the demands on it but that the past year has been more costly than any recent year and has strained the Local Chapter's finances to the limit.

Attend the church of your choice.

Weed Control Clinic To Be Held Here Friday Night

Farmers in the Clarendon area will have an opportunity to hear and see flame cultivation techniques at a weed control clinic here at the County Court House Friday night, March 1, at 7:30 p.m.

Gene Bumpus, Inc., of Plainview will bring two flame cultivation engineers to Clarendon to hold this clinic. These engineers, B. T. Lusk and Jones Copeland, have had a great deal to do with the success of flame cultivation in West Texas. Farmers will see pictures of crops being flamed, names of owners called. Pictures will show the crops at every stage of growth. The public is invited to witness a live demonstration of the burner, showing why it works.

The last few years have witnessed a rapid growth in a reality. Controlling weeds in row crops is destined to revolutionize farming techniques as surely and completely as did the introduction of the four row planter, stated Mike West of West Gas Co. From Canada to South America the technique of flaming weeds in crops is being accepted as regular farming procedure.

There were over 15,000 flame cultivators used in 1962 in farming and experimental work. The following crops in the Panhandle-South Plains areas were successfully flamed in 1962; cotton, grain sorghums, castor beans, onions, soy beans, potatoes, carrots. All over the South Plains you will find hundreds of farmers who have used flame cultivation the last two to three years, Mr. West added.

The League of Nations was established on June 28, 1919, and dissolved April, 1946.

Bulldogs Lose Game To Amarillo Badgers

The Amarillo College Badgers handed the Clarendon Junior College Bulldogs one of their worst defeats of the season at Amarillo last Friday night. The final score was 96 to 72 but Coach Carter of the Badgers cleared his bench with almost ten minutes to go with the score at 75 to 48.

The Bulldogs were never in the game after the first six minutes against the faster and taller Badgers. The score was 12-4 after six minutes and the Badgers extended their lead to 51 to 30 by halftime.

Alvin Scott, who has shown improvement with each game this season, was the only Bulldog who could hold his own with the Badgers. He hit 15 of 34 attempts and added one free throw for 31 points to lead the scorers. Randall Murry was next for the Bulldogs with 12 points. The Badger defense held Jim Boyd, Clarendon's leading scorer for the season, to only one point.

Bob Dibler, Amarillo's ace backcourt man, poured in 28 points to lead the Badger's scoring.

JAYCEES ATTEND WORK CONFERENCE IN AMARILLO

A group of Clarendon Jaycees attended a Work Conference at the Herring Hotel in Amarillo Sunday afternoon. New work projects were discussed along with other workings of the organization. Those attending the meeting from the local club were Delbert Robertson, Chauncey Hommel, Roland Hill, Darrell Harper, Bill Bradshaw and Robert Bain.

Robert Morris and Haym Salomon helped finance the American Revolution.



Tonight, Thursday, will be our regular meeting at 7:30 p.m. A firemen plan to be present. Please check this column for Fire Department News and Announcements.

JERRY LOHOEFER ANNOUNCES CANDIDACY FOR MAYOR

In making my announcement as a candidate for Mayor of the City of Clarendon, I wish to say that I have been a resident and property owner of this city for a long number of years. I have ample time to devote to the office and if elected I will do, feasible, what the taxpayers want done. Your support and vote will be appreciated.

Jerry Lohoefer

The District of Columbia was named in honor of Columbus.

POLITICAL ANNOUNCEMENTS

The following political announcements are subject to the City Election April 2, 1963. An announcement fees are payable in advance.

For Mayor: MAJOR B. HUDSON JERRY LOHOEFER

You get more at..



\$25.00 WORTH OF GROCERIES

To Be Given Away Sat. at 8:00 P. M.

- JUST REGISTER -

YOU DO NOT HAVE TO BE PRESENT TO WIN.

FRESH

PORK CHOPS

lb. 49c

LOIN STEAK

lb. 69c

RED

POTATOES

10 lb. bag 35c

RAINBOW

SHORTENING

3 lb. can 59c

ZESTEE

SALAD DRESSING

quart jar 29c

GOOD VALUE SLICED

Bacon 45c

lb.

VELVEETA Cheese 89c

2 lb. box

WRIGHT'S Bologna 38c

lb.

BEEF Roast 39c

lb.

GOOD VALUE Oleo 15c

lb.

Bananas 13c

lb.

YELLOW Squash 19c

lb.

Lettuce 13c

lb.

CALIFORNIA Oranges 19c

lb.

FRESH GREEN Onions 5c

bunch

TV FROZEN

Orange Juice \$1.00

6 oz. can - 5 FOR

LIBBY'S VIENNA Sausage 87c

4 cans

LIBBY'S Catsup 35c

14 oz. bottle - 2 FOR

LIBBY'S BLACKEYE Peas \$1.00

300 size can - 7 FOR

LIBBY'S FRUIT Cocktail 63c

303 size can - 3 FOR

YUKON'S BEST Flour 48c

5 lb. sack

GOOD VALUE Detergent 25c

large box

GOOD VALUE Napkins 25c

200 count pkg.

MEAD'S Biscuits \$1.00

13 cans

GOOD VALUE P-nut Butter 39c

18 oz. jar

LIBBY'S

TOMATO JUICE \$1.00

46 oz. can - 4 FOR

I.G.A. GRATED

TUNA \$1.00

5 cans

LIBBY'S

SPINACH \$1.00

303 size can - 7 FOR

LIBBY'S CUT

GREEN BEANS \$1.00

or Garden Sweet Peas

303 size can - 5 FOR

MORTON'S FROZEN

FRUIT PIES \$1.00

4 FOR

FOLGER'S INSTANT

COFFEE .63

6 oz. jar

Vallance



Foodliner

FROZEN

PERCH FISH .49

1 lb. pkg.