



# THE CLARENDON Enterprise

THE CLARENDON NEWS & THE DONLEY COUNTY LEADER

CAR-RT LOT\*\*B 006 EXPIRES: 5/15  
CLARENDON SCHOOL LIBRARY  
PO BOX 610  
CLARENDON TX 79226-0610

07.31.2014

The Texas Panhandle's First Newspaper.  
Established 1878.

www.ClarendonLive.com

Single Copy \$1.00

## THIS WEEK

- 2 Summer offers cues to how school should be... simpler and better.
- 3 The Clarendon Country Club gets ready for a Jack and Jill tournament.
- 4 A Hedley girl gets a state FFA award.
- 5 And the drought is giving scientists an insight about trees.

All this and much more as The Enterprise reports in this week's amazing edition!

## Tournaments to aid local senior center

Softball and horseshoe tournaments are being held to benefit the Donley County Senior Citizens Center this weekend.

The games will be Saturday, August 2, beginning at 10 a.m. at the ballpark and Prospect Park.

Four co-ed softball teams have signed up for the tournament, and sign-ups for horseshoe teams are still open for people 18 and older are \$20 per team.

Concessions will be available during the tournament.

To sign up or for more information, call 335-6162, 205-0430, or (after 6 p.m.) 336-1166.

## 'Zac Ryan' premier continues this week

A film project more than a decade in the making continues its big screen debut this weekend at Clarendon's Sandell Drive-In.

"Discover Zac Ryan," produced by 180 Films in association with New Daydream Films, will be screened for local audiences August 1-3, Friday-Sunday.

Written and directed by Corey Paul and inspired by real-life events, "Discover Zac Ryan" follows the life of a young research oncologist on the verge of making a discovery that will change his life - and the world - forever.

However, a secret from his past challenges everything he knows to be true and threatens the future of his discovery.

"Discover Zac Ryan" stars David Garrett as Zac Ryan, Jeff Joslin as Eric, Kendra Staub as Zac's love interest McKenna Roberts, and Matt Godson as Clayton, a young cancer patient who helps to change Zac's life.

"This is an intensely personal film for me," said Paul. "But I do believe, as we say on the movie posters, that 'life changes everything.'"

More information and a trailer of the movie can be found at www.DiscoverZacRyan.com.

## State to hold shot clinics in August

The Texas Department of State Health Services will hold three Immunization Clinics in Clarendon during the month of August.

Clinics will be August 7, 14, and 21 from 8:30 to 11:30 a.m. and from 1:00 to 3:30 p.m. at the TDSHS office at Five Medical Drive with the first 15 clients being seen.

All clinic times subject to change or cancellation in case of extenuating circumstances.

## City moves to regulate gaming businesses

By Roger Estlack, Clarendon Enterprise

The City of Clarendon moved to regulate gaming businesses last Tuesday, although none are currently operating locally.

Discussions about regulating eight-liner games started months ago, and the only known gaming establishment in town has since closed.

Ordinance 435 as approved July 22 will require gaming businesses to have a permit, and eight-liner machines would also be subject to

initial and annual fees.

Aldermen debated the justification for regulating the gaming machines, including whether taking money from a gaming business was right or not.

Alderman Doug Kidd sought assurance that the ordinance as presented would not prevent anyone from operating an arcade for teenagers; and he also suggested that if the city was going to make money on gaming devices, it should be directed toward worthy causes in town and

not just the city's general fund.

The board agreed on a \$100 permit application fee for gaming businesses plus initial fees of \$100 per machine and annual renewal fees of \$50 per machine.

The city's code enforcement officer would also inspect such businesses to determine their compliance with local regulations.

This ordinance becomes effective September 1, 2014.

Also at last week's meeting, Britton Hall presented information

in public comment about a grant program available through PetSmart that pays to spay, neuter, and release feral cats. Hall asked the city to look into the program, which slows the growth of feral cat populations while allowing the sterilized cats to continue to control rodents.

Aldermen approved amending the current budget by \$21,699 to purchase new Dumpsters and authorized up to \$600 for new storage cabinets for City Hall.

Mayor Larry Hicks reported the

street project was going well and is slightly ahead of schedule. He also reported that the Texas Department of Transportation may soon start charging the city for cleanup TxDOT has been having to do on Koogle Street as a result of rains washing dirt and rocks off Third Street during the project.

The board also worked on the 2014-2015 city budget and discussed the benefits of hiring a part time person to care for and clean the park during the summer months.

## One dies in wreck Monday

By Roger Estlack, Clarendon Enterprise

A Kansas man lost his life Monday, July 28, while traveling through Donley County on Interstate 40.

Department of Public Safety Trooper Kelly Hill said 75-year-old Robert Jackson was pronounced dead at the scene by Donley County Justice of the Peace Connie Havens.

Jackson, a resident of Yates Center, Kan., was driving a 2008 Chevy Impala about 10:40 a.m. and traveling with his wife and daughter during heavy rainfall. The car was traveling eastbound about one-quarter mile west of the Safety Rest Area when the accident occurred.

An unidentified truck driver told Hill that Jackson was in the outside lane and appeared to be moving to the inside lane to presumably avoid standing water on the road. The truck driver said Jackson lost control of the vehicle at that point. The car went into the south ditch and the driver's side door slammed into a light pole.

All occupants of the car were wearing seatbelts. Jackson's wife was uninjured, and his daughter received only minor injuries, Hill said.



The crushed door of a Chevy Impala shows the impact that killed a Kansas man this week.

COURTESY PHOTO / DPS

## Thornberry's Red River bill draws supporters

By Gilad Edelman, The Texas Tribune

Lawmakers at a U.S. House Subcommittee on Public Lands and Environmental Regulation meeting on Tuesday said they support legislation that aims to resolve a land dispute between the federal government and Texas landowners.

The Red River Private Property Protection Act, introduced by U.S. Rep. Mac Thornberry (R-Clarendon) would affect a 116-mile stretch of land along the Red River that forms part of the border between Texas and Oklahoma. The U.S. Bureau of Land Management, citing court rulings, says the area belongs to the federal government. But Texans have used and lived on the land for years, holding deeds to it and paying taxes on it.

The bill would require the BLM, which has said it won't decide what to do with the land until at least 2018, to transfer property within the disputed territory to landowners who can prove they hold a title through Texas county or state records.

"The status today is that private landowners cannot borrow money on their land, because the title is clouded," Thornberry said.

"They cannot make improvements on the land, they cannot sell the land, because there is all this concern that the federal government is going to come in and make a claim on portions of these acres."

Pat Canan, a Wichita Falls game warden, told lawmakers that BLM officials placed boundary markers on his land in 2008, laying claim to 1.7 miles between his house and the river that he considered his property.

Steve Ellis, deputy director of operations for the BLM, said the agency opposes the bill because it could force the federal government to transfer mineral rights without compensating U.S. taxpayers.

Ellis suggested that the BLM could deal with some of the land by selling it at fair market value. Lawmakers bristled at the idea.

"That's why there's such fear of a federal land grab," said Thornberry.

Subcommittee Chairman U.S. Rep. Rob Bishop, R-Utah, said that the suggestion "sent a chill up my spine."

"Let's hope we can solve this problem for you very quickly," Bishop told Canan.

This past April, Texas Attorney General Greg Abbott sent a letter to the BLM accusing the agency of "threatening [Texans'] private property rights by claiming ownership over this territory" and urging it to disclose its plans for the land.

The dispute has a complicated history. In 1923, a fight between Texas and Oklahoma over oil and gas rights forced the U.S. Supreme Court to determine the boundary between the states. The court held that under an 1819 treaty between the U.S. and Spain, everything north of the middle of the river belonged to Oklahoma and everything below the south bank belonged to Texas. That left a strip of land between the south bank and the middle of the river that belonged to the federal government.

In the decades following that decision, the river shifted north, and new parcels of land on the south side were sold as parts of Texas. But in 1983, the U.S. 10th Circuit Court of Appeals ruled that because the shifting was the result of sudden, rather than gradual, changes, the Texas border remained where it had been fixed in 1923. That meant the new land between the Texas border



US Rep. Mac Thornberry speaks during a hearing in Washington Tuesday.

PHOTO VIA YOUTUBE

and the river belonged to the federal government, and not to the people who considered it their property.

The BLM has not fully surveyed the area, so it is not clear how many acres the locals have claimed and how many are untouched.

"This hearing is one more step forward, and a very important one, in our efforts to assure landowners that their private property will be protected," Thornberry said in a written statement.

## CC success camps help fall students

Clarendon College is hosting its second Student Success Camp next week.

The College will offer courses August 4-6 at its locations in Clarendon, Pampa, and Childress to students looking to get ahead for the fall semester.

Courses will be offered in math, reading and writing and are designed to prepare students to take the TSI exam - a requirement to take college courses.

These camps are free and Clarendon College will cover all testing costs.

The first ever Student Success Camp held in June had positive results with 79 percent of students who participated scoring well enough on the TSI exam that they will not need any remediation this fall and are ready to take college coursework.

Interested students can get more information or RSVP by calling the Student Services office at 806-874-4820.

# SLOW PITCH COED SOFTBALL & HORSESHOE TOURNAMENTS

## AUGUST 2, 2014 @ 10 A.M.

Clarendon Baseball Field & City Park

Community Fundraiser To Benefit Donley County Senior Citizen Center

### BBQ & PULLED PORK SANDWICHES SWEET TREATS & COLD DRINKS

### Horseshoe Tournaments still open

18 and older \$20.00 per Team

To sign up your team call Regina @ 335-6162,  
Nathan @ 336-1166 after 6 p.m. or Leitha @ 205-0430



**ENTERPRISE STAFF**

**Roger A. Estlack**  
Publisher & Editor

**Ashlee Estlack**  
Contributing Editor

**Tara Allred**  
Office Director

**Morgan Wheatly**  
Ads & Layouts

**CORRESPONDENTS**

**Peggy Cockerham**  
Howardwick

**Sandy Anderberg**  
Clarendon Sports

**Fred Gray**  
College & Hedley Sports

**Benjamin Estlack**  
Columnist

**Karl Lindsey**  
Photographer

**Matthew Martinez**  
Photographer

**CONTACT INFORMATION**

Phone  
**806.874.2259**

Fax  
**806.874.2423**

E-Mail  
**news@clarendononline.com**

Web Site  
**www.ClarendonLive.com**

**ADVERTISING**

Open Display rates are \$5 per PASS column inch. Classified Ads are \$10 for the first 15 words and 15¢ per word for each additional word (Boxes or special typography are extra.). Thank You Notes are \$15 for the first 40 words and 15¢ per word for each additional word. Basic engagement, wedding, anniversary, and birth announcements are \$10 each. Expanded wedding announcements are \$20. A one-column announcement picture is \$5, and a two-column announcement picture is \$10. Pictures submitted for publication should be picked up within ten days after publication. Death notices are printed at no charge. Obituaries are published for \$45 or \$50 with a photo.

**DEADLINES**

News articles and photos are due by Monday at noon. Advertising and Classifieds are due by five o'clock Monday afternoon. Deadlines may be altered for holidays or special issues.

**SUBSCRIPTIONS**

Annual subscriptions are available for \$30 for zip codes inside Donley County, \$40 elsewhere in Texas, and \$45 out of state. **POSTMASTER:** Send all address changes to: **The Clarendon Enterprise**, PO Box 1110, Clarendon, TX 79226-1110. **Digital Subscriptions** are \$15 per year.

**LETTERS**

Letters to the editor are welcome. Views expressed in letters are those of the writers and do not necessarily reflect the views of the editor or staff of **The Clarendon Enterprise**. Submission of a letter does not guarantee publication. Letters may be edited for grammar, style, or length. All letters must be signed and must include an address and telephone number for verification. To improve your chances of publication, type and double space your letter, stick to one main topic, and keep it brief. No letters will be accepted from candidates for local political offices. Letters submitted to this newspaper become the property of **The Enterprise** and cannot be returned.

**The Texas Panhandle's First Newspaper**

THE CLARENDON NEWS, established June 1, 1878 with which have merged: **The Clarendon Traveler**, February 1889; **The Clarendon Journal**, November 1891; **The Banner-Stockman**, October 1893; **The Agitator**, February 1899; **The Clarendon Times**, May 1908; **The Donley County Leader**, March 12, 1929; **The Clarendon Press**, May 18, 1972; and **The Clarendon Enterprise**, March 14, 1996.

**Member 2014**



National Newspaper Association



Texas Press Association



West Texas Press Association



Panhandle Press Association



**Rodeo and family - pillars of Texas culture**

Yours truly always assumed that the state sport of Texas was high school football. It turns out that this is not the case, it's actually rodeo, which makes a lot of sense, especially in this part of the great state of Texas. Rodeo is also the state sport of Wyoming and North Dakota, both of which try to emulate Texas.

Anyway, this past weekend I had the great pleasure of driving my Aunt Yvonne to White Deer Friday and Saturday nights to attend the White Deer Rodeo. Her grandson and great grandson (my cousins) were participants. Aunt Yvonne's grandson, Jimmy Ray King worked the chutes during the bull riding competition and her great-grandson, Chaison King, rode a bull in Saturday night's competition.

Both Jimmy and Chaison currently reside in White Deer and are part of the wonderful legacy left by Jimmy's father and Chaison's grandfather, Larry Wayne King - a cousin that I loved dearly and miss to this day. Larry Wayne was the chief deputy of Armstrong County when he was tragically killed in the line of duty. More than a decade later, Larry's son Marcus, was also killed in the line of duty - while serving as an Armstrong County volunteer fireman. The King family has surely made two very tragic sacrifices for Armstrong County and Texas. Their sacrifices must never be forgotten.

Larry's widow, Jeannie, lost both a husband and a son as they were protecting our state and community. Yet, she has been able to remain a remarkably uplifting and caring person, someone who continues to make this area a much better place. Both Jim, and her daughter, Lanita, continue to serve the people of Texas with distinction and compassion. Lanita is now a nurse (perhaps the highest calling of all) in

Amarillo, and Jimmy puts his life in danger on a daily basis when he is called upon to extinguish dangerous gas pipeline leaks.

Chaison, a remarkably good looking young man, is both polite and respectful of others. You can tell that he was raised right by his mother and father. His grandfather, Larry Wayne, would be extremely proud of him and his beautiful sister Chancie. Yours truly is rather shocked that he shares so many genes with these two young people. They are both good looking enough to be movie stars or models and yours truly strongly resembles the south end of a north-bound mule. How in the world can that be?

Anyway, back to the story at hand: Chaison is a bull rider and a rodeo cowboy. He is a great example of my assertion that rodeo cowboys are the best athletes in the world. Any way you look at it, rodeo performers must possess great athletic ability as well as excessive amounts of personal courage. Their opponents are far superior to the mere human opponents that football, baseball, soccer, and basketball players must compete against. You can also include ropers and steer wrestlers in that group of superior athletes. Another local athlete with exceptional capabilities also participated in the bronc riding. Colton Kingston, the former outstanding football player from Hedley also did himself proud.

It was compelling to watch father and son work the White Deer rodeo.



**the quick, the dead, & fred**  
by fred gray

Jimmy worked the chutes during the bull riding competition and Chaison rode the bull - a monster, ill-tempered beast if I ever saw one. Of course, as is often the case in bull riding, Chaison was thrown just before the buzzer, and was sent flying through the air, landing rather abruptly and in some disarray. As the bull bore down on Chaison with the intent of stomping him into the dirt, the bull fighter, better known as a rodeo clown, jumped in front of Chaison, most assuredly saving him from serious injury. The bull then hit the clown instead, violently knocking him into the dirt of the arena. The rodeo clown, Reese Mitchell, repeatedly gave up his body as he saved several bull riders from being stomped into puddles by the ill-tempered bulls.

During the course of the rodeo I was able to meet relatives that I've not had the opportunity to meet in the past. They are the descendants of Jeannie and Larry Wayne King, as good a man as has ever lived, and a man that I miss. Even though he sacrificed his life just as it was in full bloom, he and Jeannie left a beautiful and priceless legacy. Their children and grandchildren are the kind of good, high character, and high purpose people who make this world a much better place. They are some of the people that make the Panhandle of Texas such a great place to live.

Rodeo is the state sport of Texas, and is a wonderful representation of Texas values. However, the family unit is the most priceless and sacred pillar of Texas and Texas values, and combining the two makes for an incomparable and heavenly experience. I'm grateful that I had the opportunity to meet another part of my family, and I'm thankful that I was able to share a nice slice of Texas culture with them.



**editor's commentary**  
by roger estlack

**School days are ahead... unfortunately**

School starts in just more than three weeks, and I'm not ready any more than my kids are.

We've had a great summer, you see. A 1970s type of summer filled with carefree times for the kids, riding bikes in the neighborhood and going on adventures with the neighborhood kids... which happens to include their cousins.

This was amplified by God gifting us with weather the way I remember it growing up - not as hot and with periodic thunderstorms. This 1970s climate was evidenced by the presence of neighborhood wildlife that has been scarce in recent years. We've had lots of fat hop toads, horny toads, and at least one green lizard running about. One local resident even reported on Facebook that he had seen fireflies near his front porch several days ago!

For summer vacation, we went hiking and fishing, and the kids got to capture tadpoles at their aunt's place in Colorado. But most importantly, they spent most of their time letting their imaginations run wild and just being kids.

That is unfortunately all about to change as we get sucked back into the meat grinder that is modern public education where we get back on "schedules" and spend months doing pointless worksheets, trudging through AR books, and signing off on daily discipline logs... like parents need more paperwork.

I recently read a well-written blog in which a father penned an open letter to their child's Kindergarten teacher. The author set the groundwork for the school year, said just what he thought of modern education, and longed for his child's creativity to simply be unleashed. To which I say, "Ditto."

To say I don't like the modern school system would be to put it mildly. Don't get me wrong. There are lots of fine people at our schools, and they all have the best intentions. In fact, I'm intentionally writing this now, before we even know who our kids' teachers are this year, so that hopefully no one takes anything personally. I don't really hold any teacher at fault for the situation anyway. I just think, for the most part, it was better when I was in school. I also want to say that I have a good working relationship with the school administration, but our education system is, unfortunately, corrupted by government standards, statistics, and nonsense.

As an entering second grader, Ben has already read more books than I read between Kindergarten and my senior year. I don't know that we've accomplished anything, other than spur a deep dislike in our household for the stupid Accelerated Reader program. (My kids tell me "stupid" is a bad word, but sometimes it fits.) I learned to love to read without having a book a day shoved down my throat.

I could go on all day about the AR program. I think it ultimately drives a lot of kids away from reading, and, as you can imagine given my profession, I believe that isn't a desirable outcome.

Let's turn our attention to school supplies. Why do I have to send \$1.50 for an AR folder that costs 50¢ at the store? Why doesn't the school just budget a couple of hundred dollars and buy the stupid folders? (Sorry, there's that word again.) Use my tax dollars wisely, please. Maybe we could skip the year-end trip to Wonderland and spring for some of these "essential" supplies. Indeed, maybe we could just skip the entire last week of school. We're not learning anything that week anyway.

Why does a Kindergartener need ten glue sticks? When I was in Kindergarten we made one jar of Elmer's paste last nine months.

And why do I need to put my kid's name on the school supplies? Modern education just puts all the supplies in community buckets where we put them in our own individual boxes and had to keep up with them. Last year, my son complained that one of his classmates had bitten all the erasers off all the pencils. I'm not sure what was more disconcerting... the possibility that this other child had eaten a lot of rubber or the idea that my child was using a pencil that someone else's little darling had been slobbering on. Either way, I wasn't happy.

Then there's the time issue. It's a big ordeal if I don't get my children to school by 8 o'clock on the dot. And that's as it should be. We need to be punctual. But the school also needs to be appreciative of my time and not waste it unnecessarily. Specifically, if I have to take off work to go get my kids, I would appreciate it if you had them ready to go promptly at 3:30. I shouldn't have to wait 20 minutes for the pep rally to end when I need to get to work. Think about the schedules of working parents when you plan things.

Our school system, unfortunately, spends a lot of time doing what parents should be doing. I blame welfare, the disintegration of families, and a lack of church-going for a bunch of that. Kids should be ready to learn and ready to interact with other children and with adults and know how to behave.

This summer was a reminder of how things should be... simpler and better. We need a quality of education and not just a quantity of education. We need a school that produces better than average students, better than average citizens, and not just better quantitative data and test scores.



**KERRY SWIFTBOATS ISRAEL**

**Private property vital American right**

All of us who grew up on the land know how precious our American private property rights are. It is not just about our business or finances. It is also about self-reliance and stewardship - taking care of what we have in order to provide opportunity and the chance for a better future for coming generations.

That sense of responsibility for the future makes threats to our property rights alarming, especially when those threats come from our own government. And there is a growing momentum toward federal intrusion into private property and a corresponding erosion of our personal control over our most sacred resource - the land.

An issue of property rights along the Texas-Oklahoma border has thus generated a fair amount of attention. The background starts in 1803 with the Louisiana Purchase. In that agreement between President Jefferson and Napoleon, the riverbed of the Red River was part of the land bought by the United States. Subsequent treaties between the United States and Spain, the U.S. and Mexico, and the U.S. and the Republic of Texas confirmed that the border was the south bank of the Red River.

But defining the south bank has been a challenge over the years. After

several court cases, treaties, and federal legislative action, the Red River Boundary Compact was negotiated by Texas and Oklahoma, ratified by Congress, and signed into law by President Clinton in 2000. It established the boundary line as the vegetation line along the south bank.

There had been, however, various interpretations of the south bank over the years, which confused the boundaries for some land owners. And then last year, the Bureau of Land Management (BLM) announced that it was reviewing and updating its management plan for any land the federal government might own along the River. There was immediate concern that the federal government was making a "land-grab" that called some private ownership claims into doubt.

I have introduced legislation with Senator John Cornyn and Senator Ted Cruz to put those concerns to rest. Our legislation (H.R. 4979 and S. 2537) requires the BLM to provide quit claim



**issue update**  
by rep. mac thornberry

deeds to any property owner who can support his or her ownership through county deed and tax records. And it prevents the BLM from including any private property in its management plans. In truth, there should be no issue of federal claims to any private land along the border, but our legislation seeks to remove any question and settle the issue once and for all.

Most historians agree that the phrase "life, liberty, and the pursuit of happiness" in our Declaration of Independence was based upon John Locke's view that the government's job is to protect a person's "life, liberty, and estate." For the founding fathers, protecting property meant protecting opportunity and freedom from an overbearing government. Recent studies confirm that property rights are a fundamental and essential ingredient to societal development and to rising standards of living.

It is so basic that we sometimes take it for granted. Yet secure property rights, which are recognized and protected by government, have been and will continue to be vital to our American way of life. Those rights deserve our constant vigilance and strong protection.



**USDA implements key farm bill crop insurance provision**

WASHINGTON – The U.S. Department of Agriculture (USDA) today announced continued progress in implementing provisions of the 2014 Farm Bill that will strengthen and expand insurance coverage options for farmers and ranchers. The new Supplemental Coverage Option (SCO), available through the federal crop insurance program and set to begin with the 2015 crop year, is designed to help protect producers from yield and market volatility.

"America's agricultural producers work hard to produce a sufficient amount of safe and nutritious food for the country," said Secretary Tom Vilsack. "It's critical that they have crop insurance options to effectively manage risks and ensure that they do not lose everything due to events beyond their control. Following the 2014 Farm Bill signing, USDA has made it a priority to ensure the Supplemental Coverage Option was available to help farmers in this upcoming crop year."

The 2014 Farm Bill strengthens and expands crop insurance by providing more risk management options for farmers and ranchers and by making crop insurance more affordable for beginning farmers. SCO, which is administered by the Risk Management Agency (RMA), further strengthens the farm safety net.

SCO will be available for corn, cotton, grain sorghum, rice, soybeans, spring barley, spring wheat, and winter wheat in selected counties for the 2015 crop year.

Producers should contact their crop insurance agents to discuss eligibility in time to sign up for winter wheat coverage. RMA plans to make SCO more widely available by adding more counties and crops. Information on SCO for 2015 winter and spring wheat is available on the RMA website at [www.rma.usda.gov](http://www.rma.usda.gov). Selected counties for other commodities will be released later this summer.

SCO is a county-level policy endorsement that is in addition to an underlying crop insurance policy, and covers a portion of losses not covered by the same crop's underlying policy. Producers who elect to participate in Agricultural Risk Coverage (ARC), which is offered by the Farm Service Agency (FSA), are not eligible for SCO for the crop and farm participating in ARC.

Producers applying for SCO for the 2015 winter wheat crop may withdraw coverage on any farm where they have elected, or where they intend to elect, ARC for winter wheat by the earlier of their acreage reporting date or Dec. 15, without penalty. This allows producers additional time to make an informed

decision related to whether to elect to participate in either the ARC or Price Loss Coverage (PLC) programs for their winter wheat. If producers withdraw SCO coverage for a farm by the earlier of their acreage reporting date or Dec. 15, they will not be charged a crop insurance premium. In order to withdraw coverage without penalty, producers must notify their agents of their intended election for ARC by the earlier of their winter wheat acreage reporting date or Dec. 15.

Today's announcement was made possible by the 2014 Farm Bill. The Farm Bill builds on historic economic gains in rural America over the past five years, while achieving meaningful reform and billions of dollars in savings for taxpayers. Since enactment, USDA has made significant progress to implement each provision of this critical legislation, including providing disaster relief to farmers and ranchers; strengthening risk management tools; expanding access to rural credit; funding critical research; establishing innovative public-private conservation partnerships; developing new markets for rural-made products; and investing in infrastructure, housing and community facilities to help improve quality of life in rural America. For more information, visit [www.usda.gov/farmbill](http://www.usda.gov/farmbill).

**Receive 10 free trees by joining the Arbor Day Foundation**

NEBRASKA CITY, Neb. – Spruce up your landscape by joining the Arbor Day Foundation in August.

Everyone who joins the non-profit Arbor Day Foundation with a \$10 donation will receive 10 free Colorado blue spruce trees through the Foundation's Trees for America campaign.

The trees will be shipped post-paid at the right time for planting in each member's area, which falls between October 15 and Decem-

ber 10. The 6- to 12-inch trees are guaranteed to grow or they will be replaced free of charge.

"Colorado blue spruce trees provide homeowners with numerous benefits," said Matt Harris chief executive of the Arbor Day Foundation. "They can be used as an energy-saving windbreak, for privacy, as ornamental trees and even as living Christmas trees out in the yard. They truly provide year-round beauty for any landscape."

New members of the Arbor Day Foundation will also receive The Tree Book, which includes information about tree planting and care, and a subscription to Arbor Day, the Foundation's bimonthly publication.

To receive the free Colorado blue spruce trees, send a \$10 membership contribution to: Ten Free Blue Spruces, Arbor Day Foundation, 100 Arbor Ave., Nebraska City, NE 68410, by August 31, 2014, or join online at [arborday.org/august](http://arborday.org/august).

**Jack and Jill Tourney to be held at CCC**

By Sandy Anderberg  
The Clarendon Country Club will be hosting a Jack and Jill Tournament August 2-3. Tee times for the 36-hole scramble will be at 8:30 and 1:30 on Saturday. You may call the Pro Shop to enter.

The team of Chris Linquist, Heath Parker, and Sherol Johnston won the Friday night nine-hole scramble with a seven under par. The other two teams came in at six and two under. The nine-hole scrambles are being played each Friday night at 6:00 pm

Steve Jarnigan won low gross in the weekly men's game on Wednesday with a score of 77. Todd Curry won low net with a handicapped score of 71. Sherol Johnston won low gross on Thursday with an 82 and Gayle Rogers won low net with a 65.

**Sandell Drive-In** LIFE CHANGES EVERYTHING  
**DISCOVER zacryan**  
Friday, Saturday  
August 1<sup>st</sup> & 2<sup>nd</sup>  
All tickets \$7.00 Show starts at dusk. Gates open at 7:30.  
Like us on facebook or check us out at [www.sandelldrivein.com](http://www.sandelldrivein.com)

**Germania INSURANCE**  
Joey & Brenda Lee  
Lee's Insurance  
PO Box 189 • Clarendon, Texas 79226  
806.874.2130  
HOME • AUTO • LIFE • COMMERCIAL


**PHELPS PLUMBING**  
heating • air-conditioning  
806-874-1675  
HVAC# TACL3255E PLUMBING # 12746

**Free Big E Classified**  
with every new or renewed subscription!

**4-M DRILLING**  
IRRIGATION, DOMESTIC, TEST HOLE  
GOULDS AND SIMMONS PUMPS  
JOE MORROW, OWNER  
P.O. Box 701 CLAUDE, TX 79019 806.226.5023 806.681.7150

**OSBURN APPLIANCE AND SERVICE**  
Now Carrying New Appliances  
Ranges • Refrigerators • Washers • Dryers  
General Electric, Whirlpool, Frigidaire, and others  
Rebuilt Used Appliances For Sale • Will Buy Used Appliances In Good Condition  
874-3632 319 S. Kearney

"Everything under one roof!"  
**THE CLARENDON OUTPOST**  
US 287 WEST • CLARENDON, TEXAS  
CALL: 874-5201 • OPEN DAILY 6 A.M. TO 10 P.M. • PHARMACY: 874-5202  
AD GOOD THRU: July 7, 2014

**GOT PAIN?**  
When Pains is the Problem-Curamin is the Answer!  
**Natural Pain Relief**  
PM & Extra Strength  
• Up to 10 times greater absorption than standard curamin  
• Beneficial to the liver rather than harmful  
• Also healthy for knees, joints, feet, and nerves  
• Significant clinical results in published human studies  
**Experience Safe and Effective Pain Relief.**  
Ask us about our **Custom Compounding**  


**Local Artist**  
Western, Wildlife, & Native American Art  
Mary Selfridge  


**fabYOUlous**  
Back-to-School Fashions  
Keep it cute from the first day to the last, with big deals on hot looks for the new school year!  


**OUTPOST DELI THIS WEEK'S SPECIAL**  
Quench your thirst with one of our **Blended Iced Coffee & Smoothies**  




★  
**¿Qué Pasa?**  
Community Calendar

**August 2**  
Slow Pitch Coed Softball & Horse-shoe Tournaments • 10 a.m. • Clarendon Baseball Field & City Park • Donley County Senior Citizen Center fundraiser

**August 11**  
Clarendon Registration for enrolled students • 6 p.m. to 9 p.m. • Cafeteria

Hedley Pre-Registration Picnic • 5:30 p.m. to 7:30 p.m. • Cafeteria

**August 12**  
Clarendon Registration for enrolled students • 6 p.m. to 9 p.m. • Cafeteria

Hedley Registration • 8 a.m. to 3:30 p.m.

**August 13**  
Clarendon Registration for new students • 8 a.m. to 12 p.m. and 1 p.m. to 4 p.m. • Each campus office

Hedley Registration • 8 a.m. to 3:30 p.m.

**August 14**  
Hedley Registration • 8 a.m. to 3:30 p.m.

**August 15**  
Broncos v Bovina • Scrimmage • 5 p.m. • Clarendon

Owls v Lefors • Scrimmage • TBD

**August 21**  
Owls v Kress • Scrimmage • TBD

**August 22**  
Broncos v Electra • Scrimmage • 6 p.m. • Electra

**August 25**  
Back To School

**August 29**  
Broncos v Tulla • 7:30 p.m. • Tulla

Owls v Higgins • 7:30 p.m. • Hedley

**September 1**  
Labor Day

**September 5**  
Broncos v S-Earth • Homecoming • 7:30 p.m. • Clarendon

Owls v Lefors • 7:30 p.m. • Lefors

**September 7**  
Grandparents Day

**September 11**  
Patriot Day

**September 12**  
Broncos v Highland Park • 7:30 p.m. • Clarendon

Owls v Vernon Northside • 7:30 p.m. • Vernon

**September 19**  
Broncos v Gruver • 7:30 p.m. • Gruver

Owls v Valley JV • 7:30 p.m. • Hedley

**September 26**  
Broncos v Booker • 7:30 p.m. • Booker

Owls v Lazbuddie • 7:30 p.m. • Lazbuddie

**October 3**  
Owls v Harrold • 7:30 p.m. • Hedley

## Adams receives Lone Star FFA Degree

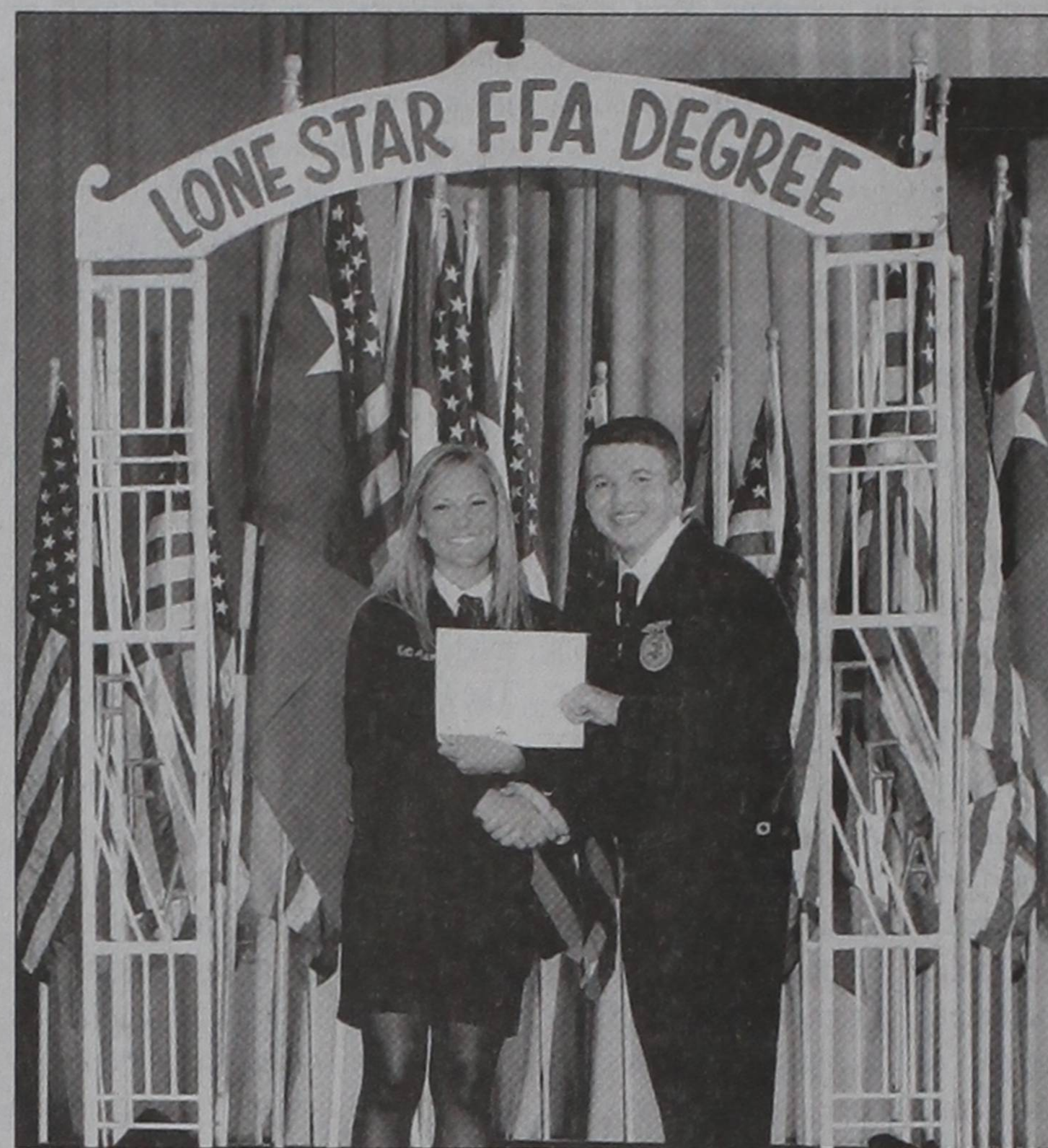
FORT WORTH – Kati Adams of the Hedley FFA Chapter was awarded the Lone Star FFA Degree at the 86th annual Texas FFA State Convention held July 14-18 in Fort Worth, Texas. The Lone Star FFA Degree is the highest degree bestowed by the Texas FFA.

The Lone Star FFA Degree recognizes FFA members who have received the Chapter degree, been active FFA members for at least two years, complete at least four semesters of agricultural science at or above the ninth grade level, maintain a supervised agricultural experience (SAE) program, demonstrate their leadership skills and show a commitment to the FFA through involvement at the chapter level and above. (Student Last Name) was one of more than 2,200 FFA members receiving this esteemed degree.

The 86th annual Texas FFA State Convention recorded more than 11,000 members and guests. Members of the agricultural youth leadership organization spent the week attending leadership workshops,

participating in events and activities, being recognized for their achievements and serving as the legislative body for the Texas FFA Association.

The Texas FFA has evolved from an organization focusing primarily on production agriculture, to a broader-based encompassing organization that addresses the needs and interests of students in urban and suburban schools in addition to the rural communities from which FFA rose in 1929. The organization is dedicated to making a positive difference in the lives of students by developing their potential for premier leadership, personal growth and career success through agricultural education. The Texas FFA is the nation's largest state FFA association with a membership of more than 104,000 members and 1,045 local FFA chapters. FFA gives students the opportunity to apply practical classroom knowledge to real world experiences through local, state and national competitions. For more information about the Texas FFA visit [www.texasffa.org](http://www.texasffa.org).



Kati Adams (right) receives the Lone Star FFA Degree award at the 86th annual Texas FFA State Convention held in Fort Worth.

COURTESY PHOTO

## Lessons learned during school

School registration begins August 11. What a short summer this has been for me! I began to feel nostalgic for "the good old days," but were they really?

I began school in 1943 at Esteline in Hall County. This was in the middle of The Big War for us, WWII, and most thoughts and actions were geared toward winning that war. Did the war affect my education? I don't know. Some teachers had not received their teaching certificate, but my parents didn't complain about the quality of teaching and I loved those teachers. We were all patriotic. Many items were rationed, and we all learned to "not be wasteful." I was taught to love learning, and one of my favorite places remains the library. Public schools are getting a bad reputation, but is it deserved? In 1635 the Boston Latin School was established as the first public school

and oldest existing school in the United States. Most teaching was done in the home and usually only for the boys. Women had no legal rights, so why should she read or write? Later, church-run schools encouraged girls to learn to read so they could read the Bible but did not teach them to write. Most teaching remained in the home until around the beginning of the 20th century with schools teaching reading, writing, and arithmetic with moral issues and ethics and politics taught at home.

Today it seems all the teaching is done in school with the teacher

held accountable if the child doesn't pass a certain test. We spend enough money per child per year to educate them, but so many still cannot read or write. Oh, cursive writing is no longer required, but I am happy to say Clarendon schools teach it in 3rd grade. I will say penmanship was not my favorite subject (along with diagramming sentences) with the repetition of rows of letters written with a pen staff dipped in a bottle of ink and the teacher knowing and scolding when you tried to fix a letter.

My advice to parents is to be enthusiastic about school and the earlier you begin the more successful you will be with your child. Teach them a love of reading, it will stay with them for life. Introduce them to the library before it becomes a thing of the past but also encourage them to read an e-book as it is a thing of the future.



**'wick picks**  
by *peggy cockerham*  
Howardwick • 874-2886

## Club E to celebrate its first anniversary

Me and my cousins and my little sister have a club called the The Club E and is also called The Big Club.



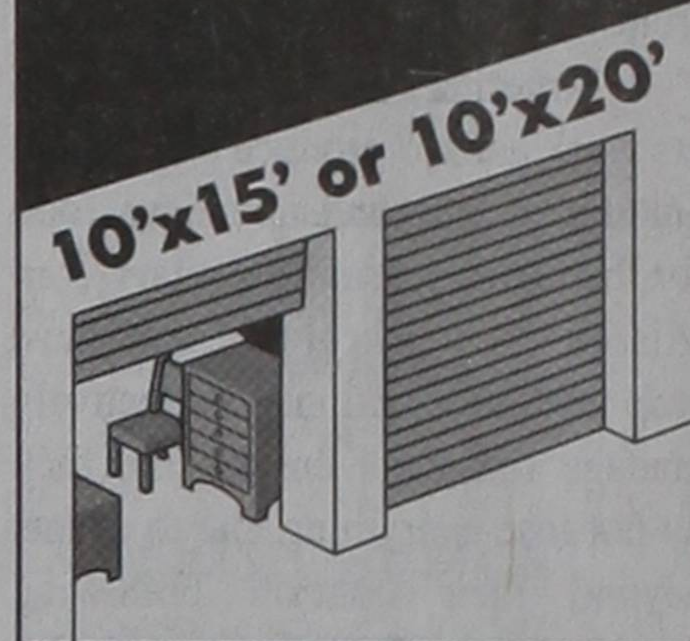
Nathan and Daniel Estlack are in it. Ella just came into the Big Club when she turned six.

We meet at Russell and Scarlet's house in the front yard tree that has a lot of branches. The anniversary of the club for being one year old is on Friday.

We talk about what we're going to do and we also ask each other if we did anything over the week. We also have snacks and also drinks.

We are planning a celebration for the anniversary of the club.

**LOW BUCK STORAGE**  
822-0442



## BREAKFAST CHALLENGE

Eat our meal in 30 minutes or donate \$20<sup>00</sup>

### OPEN

Monday - Friday  
6 a.m. - 10 a.m.

Sat. 6:30 a.m. - 10:30 a.m.

### weather report

Day	Date	High	Low	Prec.
Mon	21	94°	72°	-
Tues	22	93°	67°	-
Wed	23	93°	66°	-
Thur	24	94°	70°	-
Fri	25	98°	70°	-
Sat	26	98°	69°	-
Sun	27	98°	70°	-

Total precipitation this month: 3.11"  
Total precipitation to date: 10.95"

### weekend forecast

Fri., August 1  
Partly Cloudy  
83° / 65°

Sat., August 2  
Isolated T-Storms  
82° / 63°

Sun., August 3  
Partly Cloudy  
85° / 64°

Information provided by:  
Lori Howard  
National Weather Service

## Texas Gypsies to perform at Gem Theatre

The Texas Gypsies will be in concert Saturday August 2, 2014, at the the Armstrong County Museum's beautifully restored 1915 Gem Theatre.

Prior to the 7:30 p.m. performance, "Dinner With The Band" will be catered by Trail Boss Ranch Cooking at 6:00 p.m. at "The Board Room" across the street from the Theatre.

The Texas Gypsies have played the Gem several times over the years and are always a crowd-pleaser. They are a collection of well-seasoned players comprised of Grammy winners and musicians who have backed many of today's top performers which include: The Jacksons,

Paul McCartney, Ray Charles, Ella Fitzgerald, Texas Playboys, Wynton Marsalis, Tony Bennett, Barbara Mandrell, BluesBrothers and many more!

They are known for their unique take on Classic Jazz and Swing, GypsyJazz. (Django) Western Swing (Bob Wills) New Orleans, Classic Rock, Pop and the band performs many of their own original songs too. This "retro-electric" award-winning band hales itself as a classy, unique and fun group.

Prior to the show and during intermission, The Art Gallery will be open to view several pieces of Western Art by renowned artists. Original art by Teal Blake, Bob Moline,

"Shoo-fly", Steve Harris, Julie Neitz and others are for sale along with signed and numbered prints by prominent western artists Tim Cox, James Reynolds, Bill Owen, Jack Terry and many others. The art is for sale with percentage of proceeds benefiting the museum and theatre.

Dinner and a show will cost \$25 for adults and \$18 for students. Tickets for the show only are \$10 for adults and \$3 for kids K-12. Group rates are available.

Dinner reservations must be made prior to 4:00 pm Wednesday, July 30.

To reserve tickets, or for more information, call the Armstrong County Museum at 226-2187.

Your Turn  
**Clarendon LIVE.com**

Submit Story Ideas,  
Photos, Letters  
& Announcements

With Just A Click

**the lion's tale**  
by roger estlack

The Clarendon Lions Club held their regular Tuesday noon meeting July 29, 2014, with Boss Lion Larry Capranica in charge.

We had twelve members and no guests this week.

Lion Robert Riza reported the Clarendon College Board of Regents will begin work on the new budget this Thursday, and Lion Jim Shelton said the Clarendon school board will be having a routine meeting next Tuesday.

Lion Roger Estlack gave a short historical trivia program on some downtown landmarks, and Lion Rick Sheppard gave a TV trivia quiz.

With no further business, we were adjourned.

WHICH WOULD YOU RATHER BE LOOKING AT THIS SUMMER?

A DWI turns summer into bummer. There's jail time, up to \$17,000 in fines, hours of community service, and very likely a suspended driver license. Before you head out for summer fun, line up a P.A.S.S.—that's a Person Appointed to Stay Sober. That way, you'll get a safe ride home and not get burned by a DWI.

Save a Life  
Texas Department of Transportation

Happy Birthday Wishes

**KLSR RADIO**

Celebrating our 28th year of broadcasting on the Rolling Plains. Thanks to our loyal listeners and great area business's for making it possible.

We Appreciate You!

**KLSR**  
**105.3 FM**  
A DAVIS BROADCAST CO.

★  
**Menus**  
August 4 - 8

**Donley County Senior Citizens**  
Mon: Cheeseburger, lettuce, tomato, pickle, potato wedges, pork n beans, banana pudding, iced tea/2% milk.  
Tue: Salisbury steak, green salad, green beans, wheat rill, peanut butter cookie, iced tea/2% milk.  
Wed: Beef pot roast, roast potatoes, roast carrots & peppers, wheat roll, peach cobbler, iced tea/2% milk.  
Thu: Taco pie w/ salad topping, pinto beans, chuckwagon corn, tortilla, white cake slices, iced tea/2% milk.  
Fri: Braised pork outlet, seasoned butter beans, greens, cornbread, peaches w/whipped topping, iced tea/2% milk.

**Hedley Senior Citizens**  
Mon: Salisbury steak, diced potatoes w/skin, English peas, rolls, fruit salad in juice, iced tea/2% milk.  
Tue: Beef tips & noodles, meadow blend vegetables, corn, rolls, chocolate cake w/strawberries, iced tea/2% milk.  
Wed: Enchilada casserole, pinto beans, fried squash, chips and tossed salad, peach cobbler, iced tea/2% milk.  
Thu: Baked ham w/pineapple, large lima beans, chuckwagon corn, rolls, chocolate chip cookie, iced tea/2% milk.  
Fri: BBQ chicken, mashed potatoes, carrot/raisin salad, cornbread, baked apple, iced tea/2% milk.



**Smile**  
With Nothing to Hide  
We have affordable fixes, so you can flaunt a flawless smile.

Call now for your appointment!  
**806.8874.5628**

**Richard Sheppard, DDS**  
Located in the Community Services Building, Medical Center Campus in Clarendon

**FAMILY DENTISTRY • ORTHODONTICS • IMPLANTS • BLEACHING**



## Drought-stricken trees offer great study platform for AgriLife Research scientists

COLLEGE STATION – Severe drought across Texas since 2011 has produced a unique opportunity for Texas A&M AgriLife Research scientists to gain a greater understanding of the decaying process of trees and the effects on the surrounding ecosystem. Three AgriLife Research scientists in the Texas A&M University ecosystem science and management department in College Station have been approved for a three-year, \$347,426 grant under the Rapid Response and Novel Research in Earth Science program operated by NASA. Dr. Sorin Popescu will lead the project, titled "Using LIDAR to develop a climate-driven model of the disintegration and decay of trees killed during a severe drought." He will be joined by Dr. Georgianne Moore and Dr. Jason Vogel.

Popescu explained that 2011 and 2012 were very difficult years for forests due to drought. During that time period, precipitation for most of Texas was 50-75 percent less than its long-term average.

"This drought's severity and extent was greater than any other drought that had occurred in the region during the previous 500 years," he said. "Our forests have suffered tree mortality that was about nine times above normal levels, and

the largest trees of the region died at disproportionately high levels."

Popescu said under the new grant-funded project, the rate of tree disintegration will be monitored through a combination of airborne, unmanned aerial vehicle lidar and terrestrial lidar scanning. Lidar, from Light Detection and Ranging, is a remote-sensing technology that uses laser light to measure the distance from sensor to target and create a three-dimensional model of forest vegetation, in this case.

"Wood decomposition will be tracked using on-site measurements of local climate and tissue decay, and vegetation regrowth estimated with allometric equations," Moore said.

A site network, already designed by Dr. Chris Edgar of the Texas A&M Forest Service, will facilitate immediate implementation of the research.

"This is critical as the dead trees enter a transitional phase from standing dead to coarse woody-debris," Vogel said.

He explained that tree mortality alters ecosystem processes, but when the mortality is extensive, as is the case for drought, there are significant measurement and modeling difficulties posed to ecosystem scientists.

Two of the difficulties are: pas-

sive remote sensing cannot easily differentiate a single dead tree from a living forest or accurately depict a change in a tree's three-dimensional structure; and the disintegration and decay of standing trees is difficult to model because the elevated tissues cannot be directly sampled and wood decay may occur at different rates than tissues found on the ground.

Popescu said the technology and modeling structure to overcome these difficulties has been developed.

"Because the newly dead trees in Texas are quickly transitioning to fallen wood, we need to immediately apply these techniques to this extensive, catastrophic event," he said. "By implementing the study immediately, we will be able to leverage an existing study design and take advantage of the large number of dead trees on the landscape."

The scientists expect their research to have a long-lasting impact because it will provide the foundation for understanding how these kinds of events alter future forest structure and function.

Also, they said, the remote sensing of tree disintegration and decay will be novel and linked to potential changes in climate, making the results potentially transferable to other forest ecosystems.

## Buck Creek Watershed Protection Plan accepted by EPA

VERNON—The U.S. Environmental Protection Agency has accepted the Buck Creek Watershed Protection Plan as meeting the agency's guidelines for watershed-based plans and effectively outlining a strategy to reduce nonpoint source pollution in the watershed, according to a Texas Water Resources Institute official.

"This acceptance comes after years of collaboration between local watershed landowners and stakeholders, local soil and water conservation districts, and regional and state agency personnel," said Lucas Gregory, a Texas Water Resources Institute project specialist in College Station.

The Texas Water Resources Institute, Texas A&M AgriLife Research and the Texas A&M AgriLife Extension Service led efforts to develop the plan. The institute is

part of AgriLife Research, AgriLife Extension and the College of Agriculture and Life Sciences at Texas A&M University. In 2000, Gregory said, Buck Creek was added to the state's Clean Water Act section 303(d) list of impaired water because of the creek's high levels of bacteria. Through improved understanding of watershed function, water quality and landowners' efforts to implement effective measures, Buck Creek is no longer impaired, he said.

"This was a long process, and it is great to see the plan accepted," said Phyllis Dyer, research associate and watershed coordinator with AgriLife Research in Vernon. "The stakeholders and landowners really deserve the credit here. Their diligence and determination to improve Buck Creek really shows in this plan, and their efforts should be commended."

Thanks to work done through the partnership of AgriLife Research, Texas Water Resources Institute, Texas State Soil and Water Conservation Board and local stakeholders, E. coli levels decreased by 90 percent, well below the state's water quality standards, she said.

"The EPA's acceptance of the plan sets a precedent for future funding to implement water quality management plans, wildlife habitat management, feral hog management, and septic system education and outreach," Gregory said.

The watershed plan is currently available for download at <http://buckcreek.tamu.edu/> or by contacting Dyer at 940-552-9941, [pmdyer@ag.tamu.edu](mailto:pmdyer@ag.tamu.edu). Development of the plan was funded through a Clean Water Act nonpoint source pollution grant from the Texas State Soil and Water Conservation Board and EPA.

**POSITIVE FEED SALES**  
All-In-One 30%  
Supplement for Cattle  
Brangus Heifers For Sale  
**DANNY ASKEW**  
874-5001 or 874-3844

**Kenny's Barber Shop and Clarendon Auto Sales**  
3rd & Jefferson, Clarendon  
**874-9308**  
We appreciate your business!

**MOVING?**  
**TAKE US WITH YOU!**  
If you've changed your address or plan to in the near future, let us know so the Enterprise can move with you.  
Don't miss a single issue.  
Call us today at:  
**806/874-2259**  
or drop us a note at:  
The Clarendon Enterprise  
PO Box 1110  
Clarendon, TX 79226-1110

**Morrow Drilling & Service**  
Hwy. 287 West, Clarendon  
Water Well Specialist • Turnkey Systems  
Solar Windmill • Electric Irrigation  
30 Years Experience  
John E. Morrow (806)874-2704 • (806)662-3943

**ACE PEST CONTROL**  
"Is your place an ace place?"  
Terry & Jason Wheeler, C.A. TPCL 10615  
[www.acepestcontrol.com](http://www.acepestcontrol.com)  
**806-372-5449**  
[ace.pest@yahoo.com](mailto:ace.pest@yahoo.com)  
We Specialize in General Pest, Termite, Pretreatments  
**TERMITE SEASON FAST APPROACHING. CALL US FOR INSPECTIONS.**

Nita Massey, LNFA Administrator  
**Memphis Convalescent Center**  
(806) 259-3566 Phone  
(806) 259-5098 Fax  
(806) 205-2442 Cell  
[Nita\\_Massey@csnhc.com](mailto:Nita_Massey@csnhc.com)  
1415 N. 18th Street  
Memphis, Texas 79245  
[www.memphisconvalescent.com](http://www.memphisconvalescent.com)

Buy ♦ Sell ♦ Trade ♦ Give Away  
Joe's Flea Market  
Mon. ♦ Wed. ♦ Fri.  
at 9 a.m.  
**KLSR 105.3 FM**

Looking for pictures featured in the Enterprise?  
Visit our online gallery at  
[www.ClarendonLive.com!](http://www.ClarendonLive.com!)

**Be in the Know!**  
Subscribe Today to the Enterprise!

**CHECKING THESE VITAL SIGNS CAN SAVE A LIFE.**  
Drive FRIENDLY. Drive SAFE.

Slow down & watch for detours in work zones. On highways, know the posted speed & drive to road conditions. And always watch for cyclists & pedestrians. Thanks, you're a lifesaver.

**Save a Life**

**Come Support the Hedley Volunteer Fire Department**

**Chicken Fried Steak Dinner \$10 Per Plate**  
Served with mashed potatoes, corn on the cob, salad, rolls and dessert.

**Friday, August 1, 2014**  
**5:30 p.m. - 8:00 p.m. at The Hedley Senior Citizens**

We will also be selling raffle tickets for a Jambalaya Pot for \$2.00 each or 6 for \$10.00.

All proceeds will be used to outfit the 2½ ton truck we will be getting from the Texas Forest Service.

**Worship DIRECTORY**

**CLARENDON**  
**AGAPÉ CHRISTIAN CHURCH**  
712 E. 2ND HWY. 287 • MINISTER: ANTHONY KNOWLES  
SUN. SCHOOL: 9:30 A.M. • SUN. SERVICE: 10:30 A.M.

**CALVARY BAPTIST CHURCH**  
US 287 E. • 874-3156 • REV. ROB SEALE  
SUN. SCHOOL: 10 A.M. • SUN. SERVICE: 11 A.M.  
SUN. EVENING: 7 P.M. • WED.: 7 P.M.

**CHURCH OF CHRIST**  
300 S. CARHART • 874-2495 • MINISTER: CHRIS MOORE  
SUN. BIBLE CLASS 9:30 A.M. • SUN. SERVICE: 10:30 A.M.  
SUN. 6 P.M. • WED.: 7 P.M.

**CHURCH OF NAZARENE**  
209 S. HAWLEY • 874-2321 • PASTOR: BILL HODGES  
SUN. SCHOOL: 9:30 A.M. • SUN. SERVICE: 10:40 A.M.  
SUN. EVENING: 6 P.M. • WED.: 7 P.M.

**COMMUNITY FELLOWSHIP CHURCH**  
12148 FM 2162 • 874-0963  
PASTOR: LARRY CAPRANICA  
SUN. SCHOOL: 10 A.M. • SUN. SERVICE: 11 A.M.  
SUN. EVENING: 6 P.M. • WED. COMMUNITY KIDZ 5:30 P.M.  
WED. ADULT BIBLE STUDY: 6 P.M.

**FIRST CHRISTIAN CHURCH**  
120 E. THIRD ST. • PASTOR: DARRYL BURTON  
SUNDAY SERVICE: 6 P.M.

**FIRST ASSEMBLY OF GOD**  
4TH ST. & HWY. 70 SOUTH • PASTOR: MATTHEW STIDHAM  
SUN. SCHOOL: 9:45 A.M. • SUN. SERVICE: 10:40 A.M.  
SUN. EVENING: 6 P.M. • WED. YOUTH: 8:15 P.M.  
WED. BIBLE STUDY: 7 P.M.

**FIRST BAPTIST CHURCH**  
300 BUGBEE AVE. • 874-3833 • REV. LANCE WOOD  
SUN. SCHOOL: 9:45 A.M. • SUN. SERVICE: 10:55 A.M.  
SUN. EVENING: 6 P.M. • KID'S ACTIVITIES: WED. 6 P.M.  
YOUTH STUDY: WED. 7 P.M.  
COLLEGE MINISTRY: WED. 9 P.M.

**FIRST PRESBYTERIAN CHURCH**  
FOURTH & PARKS • PASTOR: REV. ROBIN GANTZ  
FELLOWSHIP: 10:30 A.M.  
SUN. SERVICE: 11 A.M.

**FIRST UNITED METHODIST CHURCH**  
420 S. JEFFERSON • 874-3667 • PASTOR: LLOYD STICE  
SUN. SERVICE: 9:45 A.M. • SUN. SCHOOL: 11 A.M.

**JESUS NAME APOSTOLIC CHURCH**  
720 E. MONTGOMERY • 205-1149 • REV. 874-2078  
REV. CALVIN BURROU  
SUN. SERVICES: 3 P.M. • WED.: 7 P.M.

**BODY OF CHRIST MINISTRIES:**  
501 S. MCCLELLAND • PASTOR: R.W. ELLERBROOK  
SATURDAY: 6 P.M. • SUNDAY DISCIPLESHIP CLASS: 9:30 A.M.  
SUN.: 10:30 A.M. • SUN. LIFE GROUP: 4:30 P.M.  
WED.: 6:30 P.M.

**CHRIST'S KIDS OUTREACH MINISTRY:**  
416 S. KEARNEY • JANET & STEVE CARTER • 874-2007  
SUN. BREAKFAST 9:30 A.M. • SUN. PRAISE & WORSHIP 10 A.M.  
SUNDAY SCHOOL: 10:30 A.M. • WED.: 5 P.M.

**ST. JOHN THE BAPTIST EPISCOPAL CHURCH**  
301 S. PARKS ST. • 874-2511 • REV. JIM AVENI  
FIRST SUNDAY SERVICE: 11 A.M.

**ST. MARY'S CATHOLIC CHURCH**  
MONTGOMERY & MCCLELLAND  
FR. ARONIA RAI SAMALA  
SUN. MASS 11 A.M.

**ST. STEPHENS BAPTIST CHURCH**  
300 N. JEFFERSON ST. • PASTOR: ROY WILLIAMS  
SUN. SCHOOL: 10 A.M. • SUN. SERVICE: 11:15 A.M.  
WED.: 7 P.M. (WEATHER PERMITTING)

**TRUE CHURCH OF GOD & CHRIST**  
301 N. JEFFERSON • ST. PASTOR: JEFF RILES  
SUN. SCHOOL: 10 A.M. • SUN. SERVICE: 11:15 A.M.  
WED.: 7 P.M.

**HEDLEY**  
**CHURCH OF CHRIST**  
110 E. SECOND ST. • MINISTER: BRIGHT NEWHOUSE  
SUN. BIBLE CLASS: 10 A.M. • SUN. SERVICE: 11 A.M.  
SUN. EVENING: 6 P.M. • WED.: 7:30 P.M.

**FIRST UNITED METHODIST CHURCH**  
200 N. MAIN ST. • PASTOR: STAN COSBY  
SUN. SERVICE: 4:00 P.M.

**FIRST BAPTIST CHURCH**  
210 N. MAIN ST. • 856-5980 • PASTOR: BRUCE HOWARD  
SUN. SCHOOL: 10 A.M. • SUN.: 11 A.M. & 6 P.M.  
WED.: 7 P.M.

**HOWARDWICK**  
**FIRST BAPTIST CHURCH**  
235 RICK HUSBAND BLVD. • 874-3326 • REV. DAVE STOUT  
SUN. SCHOOL: 10 A.M. • SUN. SERVICE: 10:45 A.M.  
SUN. EVENING: 6 P.M. • WED.: 6 P.M.

**OLD PATHS PRIMITIVE BAPTIST CHURCH**  
HEREFORD LANE AT HWY 70 • 673-1770  
3RD SUNDAYS - DON MARTIN • 4TH SUNDAYS - DON WATSON  
SERVICES: 10:30 A.M.

**MARTIN**  
**MARTIN BAPTIST CHURCH**  
US 287 W  
SUN. SCHOOL: 10 A.M. • SUN. SERVICE: 11 A.M.  
SUN. EVENING: 6 P.M. • WED.: 7 P.M.

**BRICE**  
**BRICE DELIVERANCE TABERNACLE**  
PASTOR: LOUIS BENNETT  
SUNDAY: 9:45 A.M. • SUN. EVENING: 6 P.M.  
WED.: 6 P.M.

**SPONSORED BY**  
ROBERTSON FUNERAL DIRECTORS  
COUNTRY BLOOMERS FLOWERS & GIFTS  
WALLACE MONUMENT CO.  
MCKINNEY MOTOR CO.  
3-H ALL NATURAL BEEF  
CLARENDON FAMILY MEDICAL CENTER  
ROLLING PLAINS AG COMPOST  
J&W LUMBER  
PILGRIM BANK

For corrections or additions, call the Enterprise at:  
**874-2259**



## Obituaries

### Rogers

Helen F. (Collins) Rogers passed away at age 84, June 16, 2014, in Hendrick Hospital in Ovalo. Helen was laid to rest at McBee Cemetery in Ovalo, alongside her husband on Friday, June 20, 2014. A funeral service was held on Friday June 20, 2014, at 10:00 am at First Baptist Church, 709 Kent Ave, Tuscola, Matt Stidam officiating, directed by Fry-Bartlett Funeral Home. Viewing will be Thursday June 19, from 6-8 pm at the funeral home.



Rogers

Helen was born December 28, 1929, in Ranger to Earl and Katie (Yokum) Collins. She was one of ten children. Helen graduated high school in New Mexico and married Steve Rogers on February 16, 1948. They were married for 65 years at the time of Steve's death (2013).

Helen and Steve lived the majority of their lives in Clarendon. They had eight children and one step son.

Helen was a dedicated and independent woman. She worked hard at every task put before her. She was intelligent and determined, receiving her nurse's degree at age 40. Helen's years spent as a nurse included, nursing, teaching nursing, and starting two home health care services. She retired at age 79.

Helen taught Sunday school for many years and remained a faithful servant all her life. She loved her God, family, and her church. Helen and Steve prayed for each of their children and their families daily. They adored each other so much it is hard to separate one from the other. They are together hand in hand once again.

She is survived by her children, Susan Rhoades of Ovalo, Lois (Gus) Havens of Rosebud, Steve Raymond Rogers (Kathy) of Ovalo, Timothy Rogers (Vickie) of Burns, KS, Rebekah Lockeby(Lonnie) of

Clarendon, Bonnie Roe (Charles) of Tuscola, Katrina Carter (Timothy) of Euless, and Jeannie Osborne of Waco, one step son Steve Nolan Rogers (Mary) of Colorado Springs, CO, brothers; Pete C. Collins, Eugene C. Collins; and sister Jerry L. Ramsey; twenty three grandchildren; forty seven great grandchildren; and nine great great grandchildren; and many nieces and nephews.

She is preceded in death by her husband; her parents; brothers, Lewis W. Collins, Jesse W. Collins, Frederick D. Collins, and Odell Collins; sisters Lois A. Watson, Johnnie L. Cooper; and a grandson Jason C. Lockeby.

Helen was a beloved wife, Mother, Grandmother, and faithful servant. She was loved and respected by all who knew her. We are truly blessed to call her Mom. She will be sorely missed and forever loved.

### Giddens

Arvazene Smith Giddens, 82, died Thursday, July 24, 2014, in Amarillo.

Services were held on Monday, July 28, 2014, in Robertson Funeral Directors Saints' Roost Chapel in Clarendon with Dr. Roger L. Smith, officiating.

Interment followed at Citizens Cemetery in Clarendon.

Arrangements were under the direction of Robertson Funeral Directors of Clarendon.

Viewing will be held at Boxwell Brothers Funeral Directors, 2800 Paramount in Amarillo on Saturday and Sunday.

Arvazene Giddens, born Arvazene Smith, was born on December 1, 1931, to Victor Lee Smith and Chloe Smith in Quitaque, TX. The family moved to Clarendon, TX when Victor took over running the electric plant. Arvazene was the youngest of four children. She had a brother, Basil and two sisters, Wanda and Yvonne. Arvazene attended Clarendon High School and at the age of 16 was awarded a full scholarship to Juliard School of Music, but her mother thought that New York City was not a proper place for a 16 year old girl without any family close.

Shortly after she married Elbert Preston Smith or "Bert Jr" to all who knew him in Clarendon. Then on February 17, 1949, her first son, Roger Wayne Smith was born. Her second son, Gale Lee Smith was born on August 8, 1950. Linda, her daughter, was born September 27, 1953.

The years passed, the kids grew up and started their own families. The boys went to college and Linda married, Bert Jr. died and Arvazene moved to Oklahoma City. In 1976 the Lord put Arvazene in the path of Clifford Giddens Jr., a young believer. They married on February 26, 1977. Their life of service for the Lord Jesus Christ had now started, building churches, holding home prayer meetings, and preaching and singing any place that the Lord would open to them. They shared the Gospel of Jesus in Oklahoma City, Atlanta, GA, Jamaica, and Brussels, Belgium in coffee houses, under bridges to the homeless and in nursing homes. This was their lives for 37 years until God called Arvazene home on July 24. Arvazene was the embodiment of Christian love and grace to all who knew her.

Arvazene was preceded in death by her parents, her brother and sisters, her first husband Bert Jr, her daughter Linda, and one great-grandson Jamon Lee Cox.

Arvazene is survived by her husband, Clifford B. Giddens Jr. of Amarillo, two sons, Roger Wayne Smith and wife Karon of Amarillo, and Gale Lee Smith and wife Charlotte of Oklahoma City, four grandsons, Michael Arnold, Jason Smith, Dr. Roger L. Smith, and Elias Verdale, five granddaughters, Tiffany Shadle, Stacy Oldfield, Charisa Bryant, Christy Cox, and Alysha Sutherland, 19 great grandchildren, and 2 great-great grandchildren. Arvazene also loved her 3 step-grandsons, Scott Cordell, Ronnie Cordell, and Cole Cordell, her 7 step-great grandchildren, and her 5 step-great-great grandchildren.

Sign the online guestbook at [www.robertsonfuneral.com](http://www.robertsonfuneral.com)

### Price

Patricia "Gayle" Bones Price, born Sept. 16, 1942, in Clarendon,

Texas, to Homer and Viola Bones, passed away at home with her family at her side July 17, 2014.

Gayle graduated from Clarendon High School in 1961 and left to live in a bigger city. A few years after graduation, she had a daughter named Valerie, and they ended up in Houston, where she met and married Bill Price on Nov. 27, 1969.

The couple started a real estate company in 1971, and Gayle put her passion to work and expanded the business to include four offices. Her middle child, Michael, was born in 1976, and Gayle left the business to become a full-time mom to Valerie and Mike. Two years later, their youngest child, Tiffany, was born.

In 1981, Gayle and Bill sold their company and, in 1982, moved from Houston to Marble Falls so their children would grow up in a small town. After several years of being a stay-at-home mom, and when the kids were all in school, Gayle wanted to do something part-time, which led her to becoming a school nurse. With much training, she became an EMT with the Marble Falls Volunteer EMS. She was awarded Volunteer of the Year more than once and stayed with the EMS until she was employed by them and became an EMT-1.

Gayle also helped start the Marble Falls Police Dispatch Division and 9-1-1 system. Participating in these activities led to her desire to be the Marble Falls municipal judge. With a unanimous decision, she was appointed to the position, which she held for 16 years until her retirement in 2012.

Throughout her work as an EMT, dispatcher and judge, she touched numerous lives in a positive way and will be missed by many.

Thank you to Scott & White Hospice and the many caregivers and friends who have helped throughout this difficult process.

A celebration of life service was held July 21 at Clements-Wilcox Funeral Home.

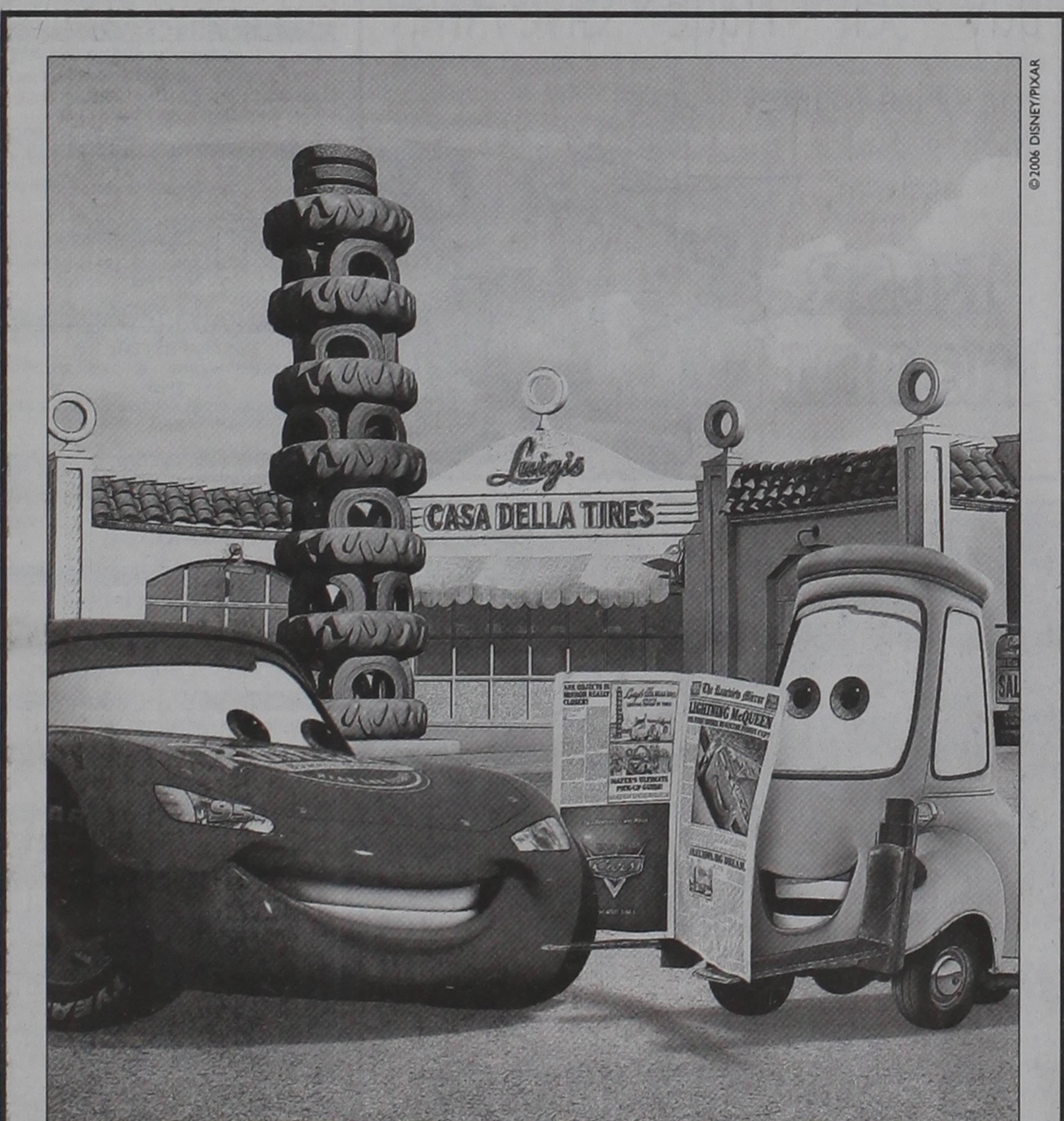
Go to [www.clements-wilcox-funeralhome.com](http://www.clements-wilcox-funeralhome.com) to offer condolences.

**GLASSTECH**  
**WINDSHIELD REPAIR**  
 Larry & Donna Hicks  
 Call Donna at  
 806-874-3108 • 806-205-1501  
**SEAL THAT CHIP BEFORE IT SPLITS!**

**Mr. Fix It**  
 Kyle Hill  
 Minor repairs, odd jobs, and more.  
**672-8908**

**Drugs in the News**  
**Investigational Drug Helps Treat Allergies**  
 A major pharmaceutical company recently released important clinical trial information about one of its new medications which is designed to treat mild asthma and allergies. Quiluzumab works by preventing the blood from making a protein that triggers allergic reactions. Immunoglobulin type E (IgE) is the protein in the body that binds to the allergens and tells the body to produce additional chemicals whenever the person comes in to further contact with the same allergen. When the inflammatory chemicals are released it may cause someone to sneeze, cough, feel itchy, or have watery eyes.  
 The clinical trials compared the use of quiluzumab to a sugar pill in persons with allergies and mild asthma. The blood samples from the patients with quiluzumab had less IgE that were directed against the allergens and even had less IgE after six months of the last dose of medication. However, the asthma group in the clinical trial did not have a significantly better benefit compared to the people on the sugar pill. Currently, there is another similar medication available on the market that blocks the production of IgE called omalizumab (Xolair).

**Rx** **Mike's PHARMACY**  
 Call 874-3554 or Toll Free 800-766-2089  
 Hwy 287 West • Clarendon, Texas



Pick up a newspaper and fill up on knowledge.

Newspapers are a great way to learn about what's driving the world. Whether it's headline news, sports or weather, there's something for all makes and models. So take a newspaper for a spin, because knowledge is horsepower.

THE CLARENDON **Enterprise**

It all starts with newspapers.

[www.newspaperlinks.com](http://www.newspaperlinks.com)

THIS MESSAGE IS BROUGHT TO YOU BY THIS NEWSPAPER AND THE NEWSPAPER ASSOCIATION OF AMERICA®

The Walt Disney Company is committed to reading together. For more information, log on to [www.disneyhand.com/readingtogether](http://www.disneyhand.com/readingtogether)

## Top 9 Rodeo Series TOP O' TEXAS RODEO August 7, 8, & 9



### Thursday August 7

Free BBQ for all ticket holders

7:00 pm  
 TCRA Top O' Texas Rodeo

### Saturday August 9

7:00 am  
 Giddy Up and Run 5K registration  
 Downtown Pampa

10:30 am  
 Top O' Texas Rodeo Parade  
 Downtown Pampa

4-6 pm  
 BBQ Cook Off  
 Recreation Park

7:00 pm  
 TCRA Top O' Texas Rodeo

9:00 pm  
 Dance Featuring - Jake Moffat Band  
 Couples Night

### Friday August 8

7:00 pm  
 TCRA Top O' Texas Rodeo

Family Night - Special discount on tickets

9:00 pm  
 Dance Featuring - Young Country  
 Ladies Night

**Tickets**  
 \$10 adults, \$5.00 kids 5-12 and kids 4 & under free

**Each Rodeo Night Features**  
 Calf Scramble, Dollar Drop, Mutton Busting, Donkey Riding, and Jr. Barrels

**August 9th Downtown Activities**  
 Turtle Race, Bicycle Race, Vendors, Hot Dog Eating Contest sponsored by Coney Island

**Recreation Park Activities**  
 Vendors, Live Music, Kids Activities, Horseshoe Tournament sponsored by Wayne's Western Wear

**PAMPACHAMBER OF COMMERCE**  
 669-3241 • [www.pampachamber.com](http://www.pampachamber.com)





# big E classifieds

Call in your ad at  
**874-2259**

Deadline: Monday @ 5 p.m.  
Prepayment required.  
Visa / MasterCard accepted.



## MEETINGS

**Clarendon Lodge #700 AF&M**  
Stated meeting: Second Mondays, 7:30 p.m. Refreshments at 6:30 p.m. Practice: Fourth Mondays, 7 p.m. Jim Owens - W.M., Grett Betts - Secretary, 2 B I, ASK 1

**Donley County Memorial Post 7782 Veterans of Foreign Wars**  
Meets first Tuesday at 7 p.m. 822-VETS.

**Clarendon Lions Club** Regular meeting each Tuesday at noon. Ashlee Estlack, Boss Lion. Roger Estlack, Secretary

**Clarendon Chamber of Commerce** Regular meeting 2nd Thursday each month at 5:30 p.m. at Burton Memorial Library.

**Big E Meeting Listings** only \$8.50 per month. Call 874-2259 to have your club or organization meeting listed.

## ANNOUNCEMENTS

**Saints' Roost Museum**  
610 East Harrington  
**Tuesday - Saturday**  
**10 a.m. to 5 p.m.**  
Open for appointments.  
Call 874-2746.

**FACILITIES AVAILABLE** - Family Reunions, Receptions, Business Meetings, Club Functions, and more. Clarendon Lions Hall, 111 W. Fourth. Call 874-3521 for rental information.

## FOR RENT

**FOR RENT:** 2 bedroom. Call 874-0043 for more information.

**FOR RENT:** 1 bedroom house. Call 359-9395 for more information.

## FOR SALE

**FOR SALE:** Red 2001 Chevrolet Blazer. Call 806-874-3146 after 4:00 p.m.

## LOST & FOUND

**REWARD**  
To the persons who took my Klapper bit & spurs. My name JIM is on one side & my brand J is on inside. They will be easy to recognize & hard to sell. I have pictures of them as well as Billy Klapper knowing who they belong to. Lots of spur collectors & cowboys have seen them. I know you did not steal them just picked them up which was very careless on my part. Anyone returning them will receive a reward and no questions asked.  
**Jim Garland 874-3757**

## PUBLIC NOTICE

**CLARENDON COLLEGE RFP# 10059**  
Clarendon College is soliciting proposals for nursing equipment and supplies. For detailed information please contact: Dr. Robert H. Taylor, Clarendon College, (806) 874-4859 or email: robert.taylor@clarendoncollege.edu. Proposals are to be received at Clarendon College via U.S. Postal Service at P.O. Box 968, Clarendon, Texas 79226 or other carrier to 1122 College Dr., Clarendon, Texas 79226 by 12:00 p.m. CT on Friday, August 8, 2014 (the due date). Clarendon College reserves the right to negotiate with any/all proposers at any time, before or after submission of a proposal. Clarendon College reserves the right to reject any or all proposals and to waive technicalities. Estimated date of award is August 14, 2014.

**ORDINANCE NO. 435**  
AN ORDINANCE CREATING PERMITS AND BUSINESS FEES FOR AMUSEMENT AND GAMING DEVICES, BUSINESS OCCUPATION, PROFESSION OR TRADE, TAXATION AND LICENSES OF THE CODE OF ORDINANCES OF THE CITY OF CLARENDON, TEXAS; ESTABLISHING DEFINITIONS PERTAINING TO MACHINE RECREATION GAMES, ESTABLISHMENT OF FEES FOR AMUSEMENT DEVICES AND MACHINES; ESTABLISHING BOUNDARIES TO WHICH THE RECREATION AND AMUSEMENT ESTABLISHMENTS MAY BE SET UP WITHIN THE MUNICIPALITY OF CLARENDON, TEXAS; PROHIBITIONS AND OFFENSES; ESTABLISHING PENALTIES UPON CONVICTION OF VIOLATION OF THIS ORDINANCE; REPEALING ALL ORDINANCES IN CONFLICT HEREWITH; PROVIDING FOR AN EFFECTIVE DATE AND PUBLICATION.  
1) \$100.00 Permit Application Fee (one time unless permit expires)  
2) Application shall be made on a form as approved by the City Secretary.  
3) Fee shall be \$100.00 per Machine (operable or inoperable).  
4) Upon approval of the application, and inspection by the Code Enforcement Officer, a fee of \$50.00 per machine per year shall be paid. By January 15th of each subsequent year, a renewal fee shall be paid of \$50.00 per machine per year. Failure to pay renewal fee by said date shall result in immediate revocation of all permits and license.  
5) Denial of permits may be appealed to the City Council.  
a) Sealing - The City shall have the authority to seal any amusement redemption machine located at an establishment for which a Local Premises Gaming Permit fee has not been secured. A \$100.00 fee will be charged for the release of any machine sealed for non-payment of said Local Premises Gaming Permit fee.  
This ordinance shall become effective on and after September 1, 2014.

**PUBLISHER'S NOTICE:** All real estate advertising in this newspaper is subject to the Fair Housing Act which makes it illegal to advertise "any preference, limitation, or discrimination based on race, color, religion, sex, handicap, familial status, or national origin, or an intention, to make any such preference, limitation, or discrimination." This newspaper will not knowingly accept any advertising for real estate which is in violation of the law. Our readers are hereby informed that all dwellings advertised in this newspaper are available on an equal opportunity basis. To complain of discrimination, call HUD toll-free at 1-800-669-9777. The toll-free telephone number of the hearing impaired is 1-800-927-9275.

## HELP WANTED

**BEST WESTERN RED RIVER INN** is taking applications for a Housekeeping Attendant. Please apply in person.

**HEDELY FEEDLOT** is hiring an Office Manager Competitive Salary, 401k & Health Insurance Please call 806.856.5441 M-F 8am-12pm to schedule an interview.

**AGRIVISION IS LOOKING** for mechanics with experience working on farm trucks, tractors, and equipment. Must have basic tools, competitive pay. Must pass a drug screen. Please call Lilia Mena at 806-365-4189 to schedule an interview.

**HARTLAND TRANSPORTATION** is looking for experienced CDL-Class A drivers for local and short-haul opportunities. We offer competitive pay. Drivers home every night. Must have basic knowledge of DOT compliance and be able to pass a drug screen. If interested, call Cody Hines at 806-683-2476.

**HELP WANTED:** in the Clarendon College Cafeteria for the upcoming semester. Great Western dining service has openings for part-time/evenings/weekend shift for general workers, line servers, and cooks assistant. Experience in cooking and baking is helpful but will train. Looking for dependable and hard working individuals in a fast pace setting. Competitive pay. Please call Gina McKinney for an application at 806-336-3450 by August 18st.

**THE CLARENDON CHAMBER OF COMMERCE** is taking applications for the position of Chamber Manager. Proposed schedule is 30 hours per week and primary duties include book-keeping, record keeping, maintaining communications, leading member services, coordinating Chamber events and activities, and developing strategies to promote local commerce. For a complete job description and an application, contact Bonnie Campbell at the Clarendon Visitor Center at the Mulkey Theatre or by calling 806-874-2421.

**THE CLARENDON ECONOMIC** Development Corporation is seeking applications for the Director of Tourism & Economic Development. The primary function of this position is to encourage appropriate tourism and business development for the City of Clarendon, direct and manage the Clarendon EDC and Clarendon Visitor Center, and provide supervision and counsel to the Clarendon Chamber of Commerce. Estimated job start time is September 1, 2014. For a complete job description, contact Chandra Eggemeyer at tourism@cityofclarendontx.com

**CLARENDON COLLEGE**  
Invites applications for this position:  
Maintenance  
Inquiries and all materials should be directed to: Ashlee Estlack (806) 874-3571, Clarendon College, P.O. Box 968, Clarendon, TX 79226 or via e-mail to ashlee.estlack@clarendoncollege.edu  
Clarendon College is an equal opportunity employer and does not discriminate on the basis of age, sex, race, color, national or ethnic origin, or disability.

**Community Care Center IS NOW HIRING CNA'S & LVN'S**  
Pay based on experience.  
Please call June Davis or Cissy Hernandez at 874-5221.

**Subscribe Today**  
Call 874-2259 for more info

## HELP WANTED

**SONIC YOU KNOW WHAT'S FUN?**  
Getting paid to be part of a team that knows everyone wins when everyone gets to be their own awesome self. We like your spirit and we want to see you WORK IT here with us!

5581 Store Number 79226 Zip Code  
SONICDRIVEIN.COM / JOBS APPLY NOW!

## REAL ESTATE

**LINDA M. NAYLOR REAL ESTATE**  
Providing a Personal Touch!  
Texas Licensed Real Estate Broker  
License # 604414  
Cell Phone: (806) 204-0005  
403 N. Johnson St., Hedley, Texas 79237

e-mail: naylorl@windstream.net

**3603 CO Rd. 29 Giles, Texas** 1888 sq.ft., 3 Bedrooms, 2 Baths, Deck, Two-car, carport, Workshop, Water well, and 1.27 acres. \$49,000.00

**373 Adamson, Hedley, Texas** Brick, 1877 sq.ft., 3 Bedrooms, 2 Baths, Attached garage, Carport, 6 lots, Water well, Two storage buildings, and Large deck. \$90,000.00

**DRASTIC PRICE REDUCTION TO \$130,000.00** Amazing Home and 1 acre of land: 2158 sq. ft., 4 bedrooms, 2 & 1/2 Baths, finished basement, city water, city sewer, water well, mature landscaping. 605 S. Orpe on 70 S.

**Leased Lot #123 Howardwick** Mobile Home 2040 sq. ft. 2 Bedroom, 2 Bath, Huge sun room, Two car metal shed, 1 Car carport, Storage building, Kitchen appliances included, Golf Cart included. Price \$50,000.00

**502 E. Wood Stucco** 1456 sq.ft. 3 Bedroom, 1 Bath, Detached garage, Carport. Price \$60,000.00

**930 W. 5th Brick** 1778 sq. ft., 3 Bedrooms, 2 Baths, Finished Basement - 4th Bedroom, Detached garage, Carport, 600 sq.ft. Apartment above garage. Price \$135,000.00

**Home for Sale in Hedley:** Brick home at 420 Railroad St. Sits on 4 Lots. 1900 Sq. Ft., 3/4 Bedrooms, 2 Baths, Two-car garage, Covered patio, Carport, Huge storage building, Fenced backyard, corner Lot. Price: \$74,500.00

**702 E. Wood St.** 1716 Sq.Ft., Corner Lot, 3 Bedrooms, 2 Baths, Basement, Carport. Bargain Price: \$65,000.00

**Charming Remodeled Two-story Home** Corner Lot at 521 4th Street. 2072 Sq.Ft., 3 Bedrooms, 2 Baths, Remodeled Kitchen and Bath. \$68,000.00

**4000 sq. ft. building** with a commercial overhead door in the back storage area Located on HWY 287 in the business district. \$69,900.00

**Lot at 113 Walleye** Howardwick, Texas. Price \$600.00

**320 ACRES WITH HOME AND TWO WELLS** HIGHWAY 70 SOUTH. Excellent perimeter and cross fences \$1550 PER ACRE. OWNER WILL SPLIT ACREAGE INTO SMALLER TRACTS UPON REQUEST.

**Two Bedroom, 1 bath** trailer on two lots appliances included in sale. Nice carport and cellar. 357 Walleye St., Howardwick, Texas. \$19,500.00.

**COMING SOON:** Newly built duplexes. Call for details

**For Lease or Sale**  
Beautifully restored and totally renovated commercial office building. Brick with 1500 sq. ft. and a 750 sq. ft. basement New wiring, plumbing, wood floors, windows and central heat/air. Two bathrooms and one is a handicap accessible bathroom Several offices and a conference room. Handicap ramp READY TO MOVE IN AND SET UP YOUR BUSINESS. Owner will entertain reasonable offers. REDUCTION OF \$10,000.00 FROM \$175,000.00 TO \$165,000.00.

**Brick house at 1112 West 8th** in Clarendon. 2 bedroom, 1 bath. Detached garage with studio apartment, carport, fenced backyard. Needs some TLC. Price reduction \$40,000.

**710 S. Goodnight:** 3 Bedroom/2 Bath w/ garage apartment \$59,900.00

**Pictures at [lmannaylorrealstate.com](http://lmannaylorrealstate.com)**

## STATE & REGIONAL

TEXAS STATEWIDE CLASSIFIED ADVERTISING NETWORK

**TexSCAN**

**TexScan Week of July 27, 2014 BUSINESS OPPORTUNITY**  
**OWN YOUR OWN** Medical alert company. Be the first and only distributor in your area! Unlimited \$ return. Small investment required. Call toll free, 1-844-225-1200

**DRIVERS**  
**\$2000 BONUS!** Oil field drivers. High hourly and overtime. Class A-CDL/Tanker, 1-year driving experience. Home 1 week monthly. Paid travel, lodging. Relocation NOT necessary. 1-800-588-2669. www.ttrtransport.com

**ATTENTION DRIVERS** New Kenworth Trucks! APU equipped earn up to 50¢ cpm plus bonuses! Full benefits, rider and pet program. CDL-A-Required. 1-877-258-8782. www.ad-drivers.com

**AVERTIT EXPRESS** New Pay Increase For Regional Drivers! 40¢ to 46¢ CPM + Fuel Bonus! Also, Post-Training Pay Increase for Students! (Depending on Domicile) Get Home EVERY Week + Excellent Benefits. CDL-A required. 1-888-802-7440 Apply @ AvertitCareers.com EOE - Females, minorities, protected veterans, and individuals with disabilities are encouraged to apply.

**DRIVERS SHORT HAUL** and regional tractor/trailer jobs. Start now! Top pay, paid holidays, paid vacations, guaranteed home time, and great benefits. CDL-A. 1-877-261-2101 www.schill.com

**EXPERIENCED DRIVER OR RECENT GRAD?** With Swift, you can grow to be an award-winning Class A CDL driver. We help you achieve Diamond Driver status with the best support there is. As a Diamond Driver, you earn additional pay on top of all the competitive incentives we offer. The very best, choose Swift. Great miles - great pay! Late-model equipment available. Regional opportunities. Great career path, paid vacation and excellent benefits. Please call 1-866-259-8142.

**MARTEN TRANSPORT SOUTHCENTRAL** regional auto detention pay after 1-hour! Frequent home-time \$1,100/week. CDL-A. 6-months experience required. EEOE/AAP. 1-888-425-6374 www.drive4marten.com

**PARTNERS IN EXCELLENCE OTR** drivers, APU equipped, pre-pass, EZ-pass, passenger policy, 2012 and newer equipment. 100% NO touch. Butler Transport 1-800-528-7825; www.butlertransport.com

**SOUTHCENTRAL REGIONAL** auto detention. Pay after one hour! Frequent home time, \$1,100/week. CDL-A, 6-months experience required. EEOE/AAP 1-888-425-6374 www.drive4marten.com

**ENGINE REPAIR**  
**ENGINE REPAIR** Diesel engines: Powerstroke, Cummins, Duramax and more. Remanufactured with warranty and we deliver. Contact South Houston Engine, 1-713-918-5811 for more information.

**HELP WANTED**  
**HEATING AND AIR CONDITIONING** Technician training!! Fast track, hands-on, national certification program. Lifetime job placement. VA benefits eligible! 1-877-994-9904

**FIELD SUPERVISOR** Oversee drivers and equipment. Must have 2-years supervisory and crude hauling experience. Excellent safety awareness. Good benefits and pay. 1-800-877-0273; www.alanritchey.com

**SCHOOL/TRAINING**  
**AIRLINE CAREERS** begin here. Become an Aviation Maintenance Technician. FAA approved training. Financial aid if qualified. Housing and job placement assistance. Call Aviation Institute of Maintenance. Dallas: 1-800-475-4102 or Houston: 1-800-743-1392

**REAL ESTATE**  
**ABSOLUTELY THE BEST VIEW** Lake Medina/Bandera, 1/4 acre tract, central VWS/E, RV, M/H or house OK only \$830 down, \$235 month (12.91%/Yr). Guaranteed financing, more information call 1-830-460-8354

**ACREAGE REPO** with septic tank, pool, pier, ramp. Owner finance. Granbury 1-210-422-3013

**AFFORDABLE RESORT LIVING** on Lake Fork. RV and manufactured housing OK! Guaranteed financing with 10% down. Lots starting as low as \$6900. Call Josh. 1-903-878-7265

**\$106 MONTH BUYS** land for RV, MH or cabin. Gated entry, \$690 down, (\$6900/10.91%/Yr) 90-days same as cash. Guaranteed financing. 1-936-377-3235

**HUNTING, RECREATIONAL,** investment, retirement property. Hill Country, south Texas, west Texas. Fixed rate, 20-year owner financing. Texas Vet financing available. 1-800-876-9720. www.ranchenterprisestd.com

**WEEKEND GETAWAY** available on Lake Fork, Lake Livingston or Lake Medina. Rooms fully furnished! Gated community with clubhouse, swimming pool and boat ramps. Call for more information: 1-903-878-7265, 1-936-377-3235 or 1-830-460-8354

**Run Your Ad in TexSCAN!**  
Statewide Ad.....\$550  
290 Newspapers, 871,154 Circulation  
North Region Only.....\$250  
93 Newspapers, 297,505 Circulation  
South Region Only.....\$250  
97 Newspapers, 368,627 Circulation  
West Region Only.....\$250  
98 Newspapers, 205,950 Circulation

To Order: Call this Newspaper direct, or call Texas Press Service at 1-800-749-4793 Today!

NOTICE: While most advertisers are reputable, we cannot guarantee products or services advertised. We urge readers to use caution and when in doubt, contact the Texas Attorney General at 1-800-621-0508 or the Federal Trade Commission at 1-877-FTC-HELP. The FTC web site is www.ftc.gov/bizop. Extend your advertising reach with TexSCAN, your Statewide Classified Ad Network.

## SERVICES

**ASKEW'S LAWN MOWING SERVICE** call Dale at 806-679-2738.

**SMALL ACREAGE PLANTING**, fertilizer & compost spreading, disking, and rototilling. Call Jobs at 806-205-0270 for a free estimate. 11-ctfc

## GARAGE SALE

**GARAGE SALE:** Miscellaneous items and large ladies clothing, August 1 & 2 from 8:00 a.m. - 11:00 a.m. 517 West 7th Street.

**TWO FAMILY GARAGE SALE:** 216 South Sims Street (between 287 & Football field), Friday & Saturday from 8:00 a.m. - ? Lots of furniture clothes, household items and much more. New items put out each day.

**GARAGE SALE - Saturday** only beginning at 8:00 am! Located at 701 S. Jefferson Street by City Park. Furniture, washer, household goods, tools, light fixtures, wood paneling, clothes, shoes, plus lots more.

## REAL ESTATE

**3 BEDROOM, 1 1/5 BATH, CARPORT:** 710 South Allen. Newly remodeled. Call for appointment. 806-570-8869.

**14 X 80 MANATEE MOBILE** home. 1983 model in good condition. 3 bedroom - 1 3/4 bath, central heat, new chain link fence in backyard, storm shelter, pole barn, shop, storage building on 6 lots. Saints Roost Edition of Clarendon. Serious enquiry's only. 20,000.00 806-202-0965

**FOR SALE**  
**702 S. Gorst • Clarendon**  
Blue house, one acre,  
3 bedroom, 1 1/2 bath.  
Super neat place!  
Reduced to \$72,500.00  
Call Cindy at 806-677-4461.

## REAL ESTATE

**Jim Garland Real Estate**  
806-874-3757  
• Have buyers for ranches, farms, & recreational properties.

**Joe T. Lovell Real Estate**  
202 W. 3rd St.  
Call 806-874-9318 to schedule a showing of the following listings.

Visit  
**www.joetlovellrealestate.com**  
to view pictures and details.

**CLARENDON**  
**LOCATION! LOCATION! LOCATION! - (FIRST TIME OFFERED FOR SALE) 3 BEDROOM - 2 & 1/2 BATHS** on 5 lots - 2,083 sq ft brick with attached 2-car garage - modern kitchen with built in appliances PLUS refrigerator/freezer - laundry room - living room plus fireplace - enclosed covered porch - abundant closet & storage - (seller will new tile throughout for new floor covering) central h/a - frontage on 5th St. West Clarendon - fenced back yard view of parts of Clarendon College, Northward beyond Greenbelt Lake area - landscaped yards front and back with many mature trees - sprinkler system front and back - nice large concrete cellar with electricity near house and inside fenced back yard - metal yard building - 1508 West 5th St for \$149,000.

**3 BEDROOM - 2 FULL BATHS - PLUS EFFICIENCY APARTMENT -** 1850 sq ft main house - eat in kitchen with built in appliances & plentiful counter top & cabinet space - abundant built in storage & closets in all rooms plus hall - central heat/air - 24'X13' apartment with 3/4 bath - unattached 2 car garage - 2 car port - covered patio - fenced back yard - landscaped - large concrete cellar under garage with inside entrance - close to school & shopping area @ 609 W. 3rd for \$69,000.

**EXCEPTIONAL 2 BEDROOM - ONE BATH - BRICK IN WEST CLARENDON** - oversized attached garage includes shop with counter top and storage cabinets - like new kitchen cabinets & counter - refrigerator -d/washer - work island/ breakfast table combo - pantry - living room includes mack fireplace with electric burner - bath with tub/showers - central h/a - concrete cellar with shop/storage bldg. on top - 2 car port plus high rise RV port - beautiful patio with many extras - a must see @ 1305 W. 6th for only \$57,500.

**HOUSE AND 2 1/2 ACRES, M/L. OF BEST COMMERCIAL DEVELOPMENT PROPERTY IN CLARENDON:** some modern upgrades - potential for more - PROPERTY HAS FRONTAGE ON US HWY 287 ON NORTH, SIMS ST ON WEST AND 3RD ST ON SOUTH - an excellent investment for \$135,000.

## GREENBELT LAKE

**3 BEDROOM - 4 BATH - WITH NEW ROOF** - large tress & lots of shrubbery - deer, turkey and wild birds enjoy this place and so will you - West side of lake on Lease Lots #27 - for \$145,000. REDUCED TO 137,500.

## CLAUDE RESIDENTIAL

**2323 SO FT BRICK** - open den/kitchen - built in appliances - beautiful wood cabinets - built in desk - Murphy bed in den - very large living/ dining room - 2 & 1/2 baths (one private with master bedroom) - large utility room - abundant storage - attached 2-car garage - central h/a - chain link fenced by/ard - efficiency apartment built over large concrete cellar - good location at 307 Western for \$135,000.

## CLAUDE COMMERCIAL

**CHOICE BUSINESS BUILDING SITE** - Intersection of Hwy 287 and State Hwy 207 North with frontage on both busy highways. Diagonally across Hwy 287 from new Cefco complex - survey available.

## RANCH AND FARMLAND

**EXCEPTIONAL 2272 ACRE OPERATING AND HUNTING RANCH IN THE MIDDLE OF THE BEST DEER, TURKEY AND QUAIL HUNTING IN THE PANHANDLE** - recently remodeled ranch home - abundant well water plus lake and large pond - good corrals - modern/rustic hunting lodge plus hunter's bunk house with cooking and sleeping facilities - the ideal working and recreational ranch - (DIVIDING INTO THREE TRACTS OF 1780 ACRES - 588 ACRES AND 403 ACRES +/- A POSSIBILITY) check out the pictures on www.joelovellrealestate.com > Farms & Ranches > Collingsworth County - then call for details.

Want to Reach almost a Million Readers?

TEXAS STATEWIDE CLASSIFIED ADVERTISING NETWORK

**TexSCAN**

Statewide Classifieds

You can for only  
**\$550**

Contact this newspaper for more information or visit [www.texaspress.com](http://www.texaspress.com) Regions available.



**AgriLife Research breeders putting designer potatoes on the menu to boost consumption**

SPRINGLAKE – A decline in overall potato consumption has Texas A&M AgriLife Research breeders working on “designer” spuds that meet the time constraints and unique tastes of a younger generation. Dr. Creighton Miller, AgriLife Research potato breeder from College Station, recently conducted the Texas A&M Potato Breeding and Variety Development Program field day at the farm of cooperator Bruce Barrett south of Springlake.

“Potatoes are an important delivery system for nutrients to humans,” Miller said. “The average consumption in the U.S. is 113 pounds per year per person. But overall potato consumption in the U.S. has generally declined somewhat.”

“So what we are doing now is developing unique varieties that have a tendency to appeal to the younger set with high income who are willing to try something different,” he said. “This has contributed to an increase in consumption of these types over the russets, which are still the standard.”

Miller said the objective of the Texas A&M potato breeding program is to develop improved varieties adapted specifically to Texas environmental conditions.

“However, some of our varieties are widely adapted across the U.S.,” he said. “Three of them collectively represent the fifth-largest number of acres certified for seed production in the U.S., so we’ve released some successful varieties, and we are developing more all the time.”

The Texas Potato Variety Development Program currently has 412 entries at the Springlake trials and 927 entries at the Dalhart trials. Additionally, the 2014 seedling selection trials at both Springlake and Dalhart include 115,408 seedlings from 634 families or crosses.

One selected Best of Trial at Springlake this year is BTX2332-IR,

which is a round red potato. And, he said, the traditional russet potatoes will always be a mainstay, as they are used primarily for baking and French fries. Also in the trial is the standard white skinned variety with white flesh used for chipping purposes.

“We are always interested in new and improved red varieties and russet varieties, but there are some other types that have become more interesting lately,” Miller said.

One type is a small potato, he said, adding that within the trials he is looking for varieties with a heavy set of small potatoes.

“One of the reasons for the popularity of the smaller potato is with both spouses working, the amount of time required to prepare potatoes becomes an issue with some people,” Miller said. “With the small potatoes, they can be microwaved very fast and be on the table in a hurry.”

Other varieties catching more attention are red potatoes with yellow and white flesh and the purple skinned potatoes with yellow flesh, he said.

The tubers with yellow flesh contain compounds that are antioxidants, and that appeals to the health-conscious consumer, Miller said.

“So in addition to having the unique appearance, they are healthier potatoes to eat,” he said.

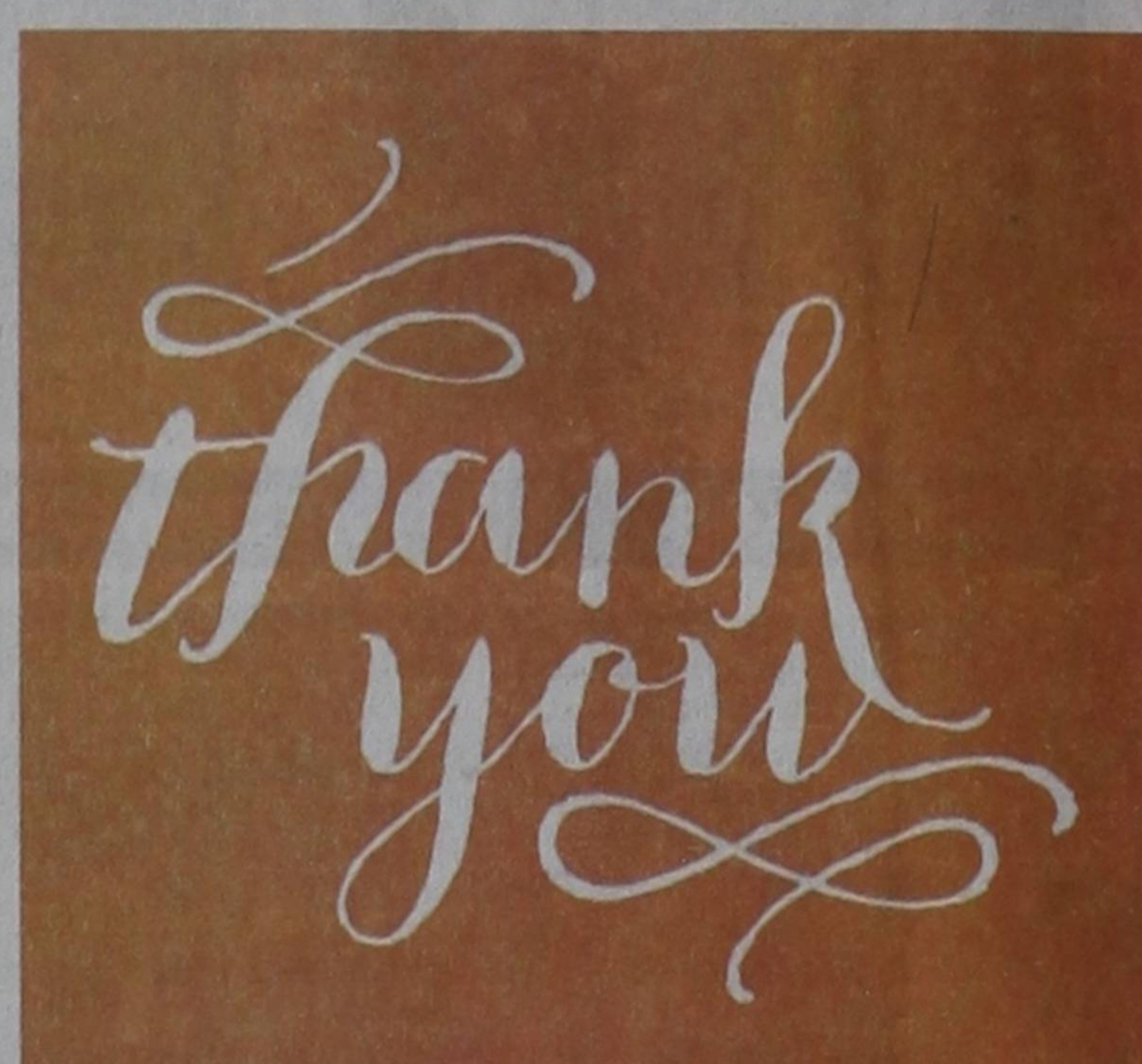
And this year, Miller also has specialty potatoes with splashes of red and yellow on the skin that have a yellow flesh.

“These are referred to as gourmet potatoes and that niche is receiving more emphasis lately,” he said. “These are generally boiled and add unique color to the plate when served.”

But Miller was quick to say the russet potato is still the primary emphasis of the program, and a new russet being grown by the Barrett’s will soon be released for commercial production.

“It promises to be very successful,” he said.

**Subscribe to the Enterprise Today. Call 874-2259.**



Thanks for all the meals, cards, money, quilt, blankets, fish fry, books, special desserts, phone calls, donations during the 4th, Yeti cooler, t-shirts, yard mowed, house cleaned, and, most importantly, the prayers. May God bless you and your family like you have blessed mine. Thanks again!

-Laura Stowe Hommel



**Thank you!**



Thank you to everyone who had a part in making the new playground possible. Your support and generosity have been invaluable.

**SPECIAL THANKS TO:**

**The David D. & Nona S. Payne Foundation  
The Clarendon Economic Development Corp.**

**Thanks also to the Charlie & Thelma Bairfield Foundation and major sponsors of Chance Mark Jones 5K, including:**

- H&H Electric • Harrison Family Members • The Clarendon Enterprise
- Pioneer General Contractors, Inc. • Mike’s Pharmacy • AEP/SWEPCO
- Clarendon Firebells • Greenbelt Electric • Bar H BBQ & More • Howard Farms
- Neena, Nanny & PawPaw • Best Western Red River Inn • Shelton Law Firm
- Charlena Ford • Clarendon Chamber of Commerce • Community Printers
- Clarendon Family Medical Center • EMC, Inc. • Donley Co. Child Welfare Board
- Donley County State Bank / Knorpp Insurance • Miss Gwen’s Daycare
- Randy Bond/Yellow Jacket • Straight Off the Ranch • WootWick’s • Herring Bank
- Donley County Gin • Clarendon College • Country Bloomers Flowers & Gifts
- Robertson Funeral Directors • Newhouse Farms • Paula’s Daycare
- Hocheim Prairie Farm Mutual • The Hitchin’ Post

And with the grateful acknowledgement of the support and efforts of Mayor Larry Hicks; the Clarendon Board of Aldermen; Joe Neal Shadle; John Molder; city employees; and everyone who ran the 5K, ate a pancake, played cow patty bingo, or bought a chance on a YETI cooler.

A message from the members of  
**THE CLARENDON LIONS CLUB**

PLAYGROUND DEDICATED JULY 3, 2014, TO THE MEMORY OF

**CHANCE MARK JONES**

and in Honor of all victims of Child Abuse.  
If you suspect a child is being abused, report it to the authorities.

**“Don’t take a Chance on child abuse.”**

Clarendon **LIVE**.com

Submit story ideas and photos, comment on articles and place your own classified ad.

ClarendonLive was created for you so take advantage! Check it out at [www.ClarendonLive.com](http://www.ClarendonLive.com).

Follow us...  to a new website for all your local news.

**LET THE ADVENTURE BEGIN!**

Check out [WonderlandPark.com](http://WonderlandPark.com) for more details

