

Big Spring Herald Tuesday

'The crossroads of West Texas'

BIG SPRING, TEXAS NOVEMBER 11, 1980

PRICE 20c

VOL. 53 NO. 140

12 PAGES 2 SECTIONS

PRICE 20c



BOMB DAMAGE — Policemen check damaged office of Swissair Airlines after a bomb explosion here last night. Eleven persons were injured, police reported. Shortly after the bomb went off, an unidentified caller told the Associated Press that the attack was carried out by the "October Three" organization.

On hostage terms

U.S. meets again with Algerians

ALGIERS, Algeria (AP) — Deputy Secretary of State Warren Christopher met again today with Algeria's foreign minister to further explain the U.S. response to Iran's terms for releasing the 52 American hostages, Algerian sources reported.

return to Iran of all assets the late Shah Mohammad Reza Pahlavi and close relatives transferred abroad.

The fourth condition called for the freeing of more than \$8 billion in Iranian assets frozen by President Carter. U.S. officials have said there will be no difficulty in canceling the freeze order, but several billions of the assets are also blocked by legal claims by American firms and individuals against Iran.

"We would like to be as positive as possible, but they have to understand the legal and other complications," one official who asked not to be identified told The Associated Press. "Generally, it's a positive response," he added. "It's hard to say what flexibility, if any, there is in the Iranian position. Also, how much will there be to end the thing."

Storm Jeanne becomes weak, late hurricane

MIAMI (AP) — Tropical Storm Jeanne grew into a rare November hurricane today as it moved slowly through the Gulf of Mexico with sustained winds of 75 mph.

At 11 a.m. EST, Jeanne was about 400 miles south-southeast of New Orleans, near latitude 24.8 north and longitude 87.4 west. It was moving west-northwest at 6 mph, according to forecasters at the National Hurricane Center in Miami.

Forecasters said Jeanne was combining with a large high-pressure system over the eastern United States to cause winds and rough seas over the north-central and northeast portions of the Gulf.

Gale force winds extend 100 miles to the north and 50 miles to the south of Jeanne's center, forecasters said.

Small-craft operators along the Gulf Coast from Morgan City, La., to Tarpon Springs, Fla., were advised to remain in port and marine interests elsewhere along the northern gulf were advised to stay aware of the storm's movement.

Jeanne achieved tropical storm status with sustained winds of at least 39 mph on Sunday as it moved northward through the Yucatan Channel between Mexico and Cuba.

The 1980 Atlantic hurricane season officially ends on Nov. 30.

three were minimal hurricanes, Samet said. He said there have been other November hurricanes that did not reach land.

Forecasters said Jeanne was combining with a large high-pressure system over the eastern United States to cause winds and rough seas over the north-central and northeast portions of the Gulf.

Gale force winds extend 100 miles to the north and 50 miles to the south of Jeanne's center, forecasters said.

Small-craft operators along the Gulf Coast from Morgan City, La., to Tarpon Springs, Fla., were advised to remain in port and marine interests elsewhere along the northern gulf were advised to stay aware of the storm's movement.

Jeanne achieved tropical storm status with sustained winds of at least 39 mph on Sunday as it moved northward through the Yucatan Channel between Mexico and Cuba.

The 1980 Atlantic hurricane season officially ends on Nov. 30.

Iraqi Premier arrives in Moscow for 'arms seeking'

BAGHDAD, Iraq (AP) — Iraqi Vice Premier Tarek Aziz arrived in Moscow today on what Kuwaiti newspapers said was an arms-seeking visit and Iran's news outlets reported that the Iranian Supreme Defense Council was seeking clarification of a peace proposal from non-aligned nations.

Iran's Supreme Defense Council decided Monday night to seek clarification of a five-point proposal conveyed by Cuban Foreign Minister Isidoro Malmierca, according to Tehran radio, while Pars reported the council would accept a personal envoy of U.N. Secretary-General Kurt Waldheim if the mission was confined to "fact-finding."

Iraq invaded Iran Sept. 22 to regain sovereignty over the eastern half of the Shatt al-Arab, which forms part of the border between the two countries and is Iraq's only outlet to the Persian Gulf, and to expel the Iranians from three tiny islands at the mouth of the gulf which the late Shah Mohammad Reza Pahlavi seized in 1971.

Iran's news agency Pars also reported Iran's troops had pushed Iraqi forces back several miles from the east bank of the Bahmanshir River at Abadan for the first time since Iraq encircled the refinery city 18 days ago.

Pars said Malmierca proposed a six-nation "goodwill and fact-finding mission" from non-aligned countries to visit Tehran and Baghdad.

Iraq said its forces downed two Iranian jets Monday in Iran's oil-rich Khuzistan Province. Iran said its paratroopers killed 100 Iraqi soldiers near the provincial capital of Ahwaz, and that its helicopter gunships attacked Iraqi positions near the refinery city of Abadan.

President Abolhassan Bani-Sadr announced Iran had "effectively stopped" the invaders and would score further gains once the country's harsh winter sets in. The Persian Gulf war is in its eighth week.

"The proposal was somewhat unclear," said a council member. In Paris, Habib Chatti, secretary-general of the Islamic Conference, said Iraq has accepted his proposal for a special committee of six Moslem chiefs of state to work out a solution to the war.

Meanwhile, an official at the Iranian Embassy in Rome reported that former Foreign Minister Sadegh Ghotbzadeh was freed from Tehran's Evin Prison Monday. Ghotbzadeh, a member of Bani-Sadr's moderate faction in the power struggle with militant Islamic clerics, was jailed last week after a television speech criticizing government officials and the Islamic militants holding the 52 American hostages.

The Moscow trip is the second by Aziz to the Soviet capital since the war broke out.

"Iran has not refused it," he said, but gave no further details. Iraqi President Saddam Hussein threatened Iran with destruction if it did not surrender its claim to the disputed Shatt al-Arab waterway between the two countries.

Death toll rises to 300 in Zimbabwe conflicts

BULAWAYO, Zimbabwe (AP) — The death toll rose to 43 today in the aftermath of clashes between rival black nationalist guerrilla bands in Bulawayo, Zimbabwe's second largest city, police said. Hospital sources said at least 300 persons were injured.

Rhodesia, has a black-majority government. It became independent from Britain last April. The guerrillas had fought for seven years against the break-away white-minority government of former Prime Minister Ian Smith.

All but six of the dead and most of the wounded were black civilians caught in the crossfire of Monday's fierce battles with mortars, rocket launchers, machine guns and automatic rifles, police said.

Since the end of the war, black Prime Minister Robert Mugabe — leader of one of the guerrilla groups — has tried to find jobs for the former insurgents, who still have their weapons. His task has been complicated by rivalry between his organization and another nationalist band loyal to Joshua Nkomo, now minister of home affairs in the coalition government.

Construction lag recorded

Construction dropped by nearly \$130,000 during October, compared to the same month last year.

An uneasy peace followed threats and appeals by Mugabe on nationwide television and radio Monday night to both groups.

Costs totaled \$372,506 last month, compared to \$502,250 during October of 1979. Despite the drop, however, construction for the year-to-date totals \$4,572,193, compared to \$3,953,798.50 for the same period last year.

The rival bands, camped in compounds of small tin-roofed houses a few blocks apart in the black township of Entumbane, first clashed Sunday. They also fought fierce battles throughout most of Monday until guerrilla commanders from the capital of Salisbury crossed police and army cordons to urge them to stop.

The largest permit of the month was issued to Raymond Hogg for a new auto repair shop at 611 W. 4th. Cost was estimated at \$69,500.

In his address, Mugabe appealed for peace and warned: "I cannot allow hooliganism and lawlessness to establish a reign of terror in this country. The war is over."

In another considerable commercial project, the Texas Electric Company will construct an addition at 1701 W. IS 20. Cost will be \$50,000.

Mugabe said Nkomo's loyalists started the trouble. Nkomo blamed the violence on three of Mugabe's Cabinet ministers he said addressed a weekend rally in Bulawayo — heartland of Nkomo's tribal support — and said a one-party state might be proclaimed, the coalition government dissolved and all other political movements banned.

Residential building again boosted the month's total. John R. Middleton will construct a new home at 2914 Melrose at a cost of \$52,000. Other new homes include: Sid Smith, 2616 Central, \$43,600; Plainsmen Homes, 3207 and 3217 Duke, \$36,800 and \$36,240 respectively.

Mugabe announced he was reinforcing the army in the area, imposing a dusk-to-dawn curfew in the township and sending the top commanders of both guerrilla armies to talk to their men later today.

County tax take trailing

Howard County Tax Collector-Assessor Zarah Bednar said tax collections this year are "not as good as usual" because the oil property tax rolls have not arrived from the Pritchard and Abbott Appraising Firm.



AFGHAN WEAPONS — Afghan insurgents at Parachinar, Pakistan, near the Afghan border, look over weapons including a Soviet made antitank rocket launcher distributed by an exile group, the Jamiat Islami Afghanistan Party, based in Pakistan. This picture was taken recently by a foreign visitor to the area.

Oil taxes total around \$800 million but personal property taxes in Howard County total only \$200 million, a relatively low figure.

The oil rolls are expected to arrive in the tax collector-assessor's office by mail today. They were supposed to have arrived before tax statements were mailed out Oct. 1, but Pritchard and Abbott had reportedly had problems getting the roll ready.

If the roll arrives today the statements will be in the mail by tomorrow, said Mrs. Bednar.

Collections on Oct. 31, 1979 were \$2,138,893. This year on the current date, collections are around \$900,000.

Focalpoint

Action/reaction: Tourists target

Q. I don't think Big Spring places enough importance on catering to tourists. There are big bucks in it. We sit astraddle two major highways and just takes what comes our way. Isn't there a State Conference on Tourist Development?

A. Yes, there is. The next one will be held Sept. 24-25, 1981, at the Hilton Inn in Austin.

Calendar: Fall Concert

TODAY
Big Spring High School Choral Department's Fall Concert, high school auditorium, 8 p.m. Admission \$1.

The Moss Elementary PTA will meet, 7:30 p.m. today, in the school cafeteria.
College Heights PTA, 7:30 p.m. in cafeteria. Program: "How to Help Your Child Succeed in School."

Community Concert program scheduled in Midland, 8 p.m. The location has been changed from Midland High School to Lee High School, 3500 Neely.

The Washington School PTA will meet at 7 p.m. at the cafeteria. The special program will be Title-One reading. All parents are invited to attend. There will be a nursery available and refreshments will be provided.

The Program planned by the All Veterans Council will be held on the east side of county courthouse at 8 a.m. instead of 9 a.m. as originally planned.

WEDNESDAY
The Big Spring Music Club will have its regular meeting, 3:30 p.m., at the High School Choir Room.

There will be a meeting for Sand Springs and Coahoma residents at 8:30 p.m. in the Coahoma Elementary Cafeteria for those who are interested in organizing the program for Meals on Wheels and Senior Citizen Center. Decision will be made on method for surveying community needs. Call 394-4290 for more information.

Tops on TV: 'The Promise Of Love'

There's a premiere movie on CBS at 8 o'clock tonight, but don't let it interfere with the reappearance of the Smothers Brothers at 9 o'clock. Valerie Bertinelli, whom you have watched grow up "One Day At A Time," will star in "The Promise Of Love." It's the story of an 18-year-old woman who attempts to rebuild her life after her young husband is killed in Vietnam. In the "Tom And Dick Smothers Brothers Comedy Special II," airing on NBC, the siblings welcome old friends Glen Campbell, Martin Mull, Pat Paulsen and the Flying Karamazov Brothers for an hour of comedy and music.

Inside: Golden planet photos

LEFTIST MICHAEL FOOT has taken the helm of Britain's divided Labor Party with pledges to fight the stationing of U.S. nuclear weapons in Britain, the international arms race, and Prime Minister Margaret Thatcher's austerity policies. See page 2-A.

AFTER A 38-MONTH, billion-mile journey, Voyager I was hurtling just 2,500 miles above Saturn's moon Titan today, snapping photographs of its dense orange atmosphere as the unmanned probe sped toward the golden planet's shimmering rings. See page 6-B.

Digest 2-A Editorials 4-A
Weather map 2-A Sports 1, 2-B

Outside: Warm

Fair this afternoon through Wednesday. High today and Wednesday in the upper 70s, low tonight in the mid 50s. Winds will be from the south at 15 to 20 mph this afternoon and Wednesday, except 5 to 10 mph tonight.



Grain embargo balloon?

WASHINGTON — A close adviser to president-elect Ronald Reagan denied a published report Monday that Reagan is "reassessing" his pledge to lift the Russian grain embargo.

Lyn Nofziger, Reagan's top press aide, said the president-elect is on vacation "and has not discussed (the grain embargo) or anything else at length. There has been no reassessment: no change."

The Washington Post quoted "Reagan advisors" saying Monday that Reagan is reviewing its often-repeated vow to lift the embargo.

"There could be a few people in Washington who would like to think of themselves as 'Reagan advisors,'" Nofziger said, dismissing the story. "They would be offering a trial balloon."

If it was a trial balloon, (a way to suggest an idea without proposing it officially), reaction to the report Monday revealed that some of the embargo's leading critics now see several reasons for keeping it aloft.

President Carter ordered the embargo on grain sales to the Soviet Union last January in response to the Soviet invasion of Afghanistan. Agriculture leaders and farm state congressmen have charged that the action has hurt farmers more than the Soviets.

But in recent months export grain sales have hit a record high and the U.S. has signed a long-term grain pact with China.

"We're not hurting now," said Joe Fields, associate director of the generally conservative, anti-embargo American Farm Bureau Federation.

In addition, the Soviet Union was experienced a severe agricultural crisis and there have been U.S. government reports of a possible world-wide grain shortage next year. Some long-time embargo foes now say the U.S. should maintain the embargo until September 1981 when the Soviet-American trade agreement expires — and negotiate a new pact with substantially higher grain prices.

"I want to hurt the Soviet Union," said Marvin Meek, president of the American Agriculture Movement and a former vocal critic of the embargo. "If we can keep the grain and get more for it later, I'm in favor of keeping the embargo on."

Any move by Reagan to maintain the embargo would be a reversal of his campaign promises and the platform of the Republican Party.

Reagan supporters stressed Monday the president-elect said last summer he would assess the foreign policy, national security and agricultural needs of the U.S. before lifting or keeping the embargo in January.

But Reagan 'his fall decried the embargo, saying it "has hurt farmers and accomplished little or nothing."

Clarence ... 1931, in ... moved ... from ... 1928. She ... in 1967. She ... of Bryan ... church for 13

Robert of ... the sisters, ... of Lamesa, ... of Wagner, ... Beigart of ... brother, ... (Snyder), ... (Snyder), and ... children?

Robert of ... the sisters, ... of Lamesa, ... of Wagner, ... Beigart of ... brother, ... (Snyder), ... (Snyder), and ... children?

Robert of ... the sisters, ... of Lamesa, ... of Wagner, ... Beigart of ... brother, ... (Snyder), ... (Snyder), and ... children?

Robert of ... the sisters, ... of Lamesa, ... of Wagner, ... Beigart of ... brother, ... (Snyder), ... (Snyder), and ... children?

Robert of ... the sisters, ... of Lamesa, ... of Wagner, ... Beigart of ... brother, ... (Snyder), ... (Snyder), and ... children?

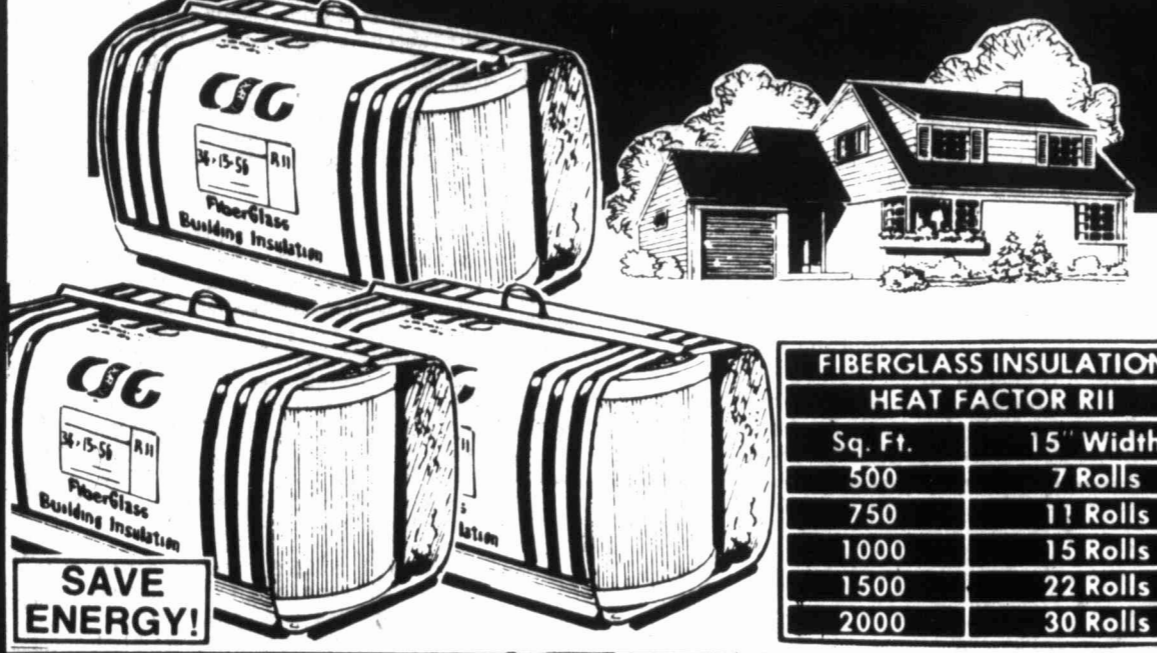
Robert of ... the sisters, ... of Lamesa, ... of Wagner, ... Beigart of ... brother, ... (Snyder), ... (Snyder), and ... children?

Robert of ... the sisters, ... of Lamesa, ... of Wagner, ... Beigart of ... brother, ... (Snyder), ... (Snyder), and ... children?



Kmart

WED. TO SAT. SALE — OPEN DAILY 9-9 CLOSED SUNDAYS



FIBERGLASS INSULATION

10⁵⁷ Per Roll

FIBERGLASS INSULATION	
HEAT FACTOR R11	
Sq. Ft.	15" Width
500	7 Rolls
750	11 Rolls
1000	15 Rolls
1500	22 Rolls
2000	30 Rolls

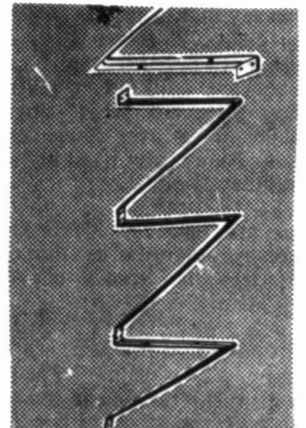
SAVE ENERGY!

Keep your home warmer in winter, cooler in summer. Kraft-face insulation comes in 3 1/2 x 15" - 56-in. ft. rolls, each roll covers 70 sq. ft. Insulate now to save money, energy. R-19 957



WOOD-LOOK FOAM CEILING BEAMS

4x6x8' **8⁹⁷**



1-PC. ALL-STEEL 3-SHELF BRACKET

88^c

Ready-to-attach shelf bracket made for 12" shelves.



ALL FIRST QUALITY — NO SECONDS

4X8' SIMULATED WOOD GRAIN PANELS

of 5/30 PARTICLEBOARD

3⁸⁸

The ideal way to redecorate or finish new rooms. Simulated wood grain print panels of sturdy 5/32" particleboard.

SIMULATED WOOD GRAIN 4X8', 1/4" PLYWOOD PANELS

10⁸⁸



Z-BRICK WALL COVERING

Covers 6 Sq. Ft.

4⁹⁷

Use Indoors Or Outdoors.

"Old Chicago" or "Antique Used" Z-Brick ... Pkg. 6.44

"Country Rustic Smoke" or "Red" Z-Brick ... Pkg. 7.33

"Inca Red" fireproof, weather-proof vermiculite. No special tools needed. Save!



WHITE SEAL-DOWN ROOF SHINGLES

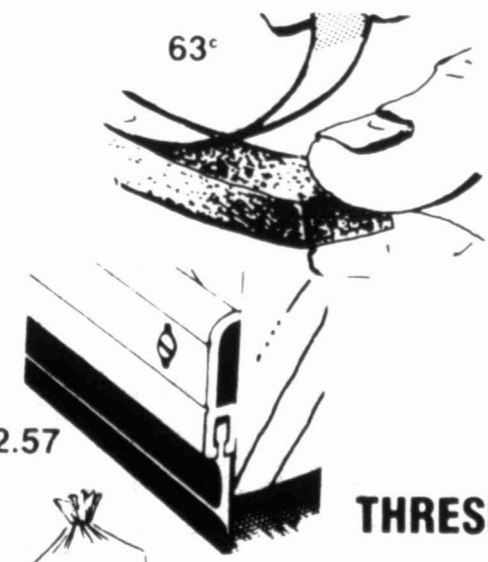
ALSO 4 Days

TIMBERLAND BROWN

22⁸⁸

GALVANIZED ROOFING NAILS
5-LB. BOX 25-LB. BOX
3³³ 14⁸⁸

White asphalt roof shingles form a tight seal that is activated by the heat from the sun's rays. 3 bundles in a square cover 100 square feet. The fine quality assures you of long-lasting, weather-resistant durability and protection. Shop and Save now while the price is low at K mart.

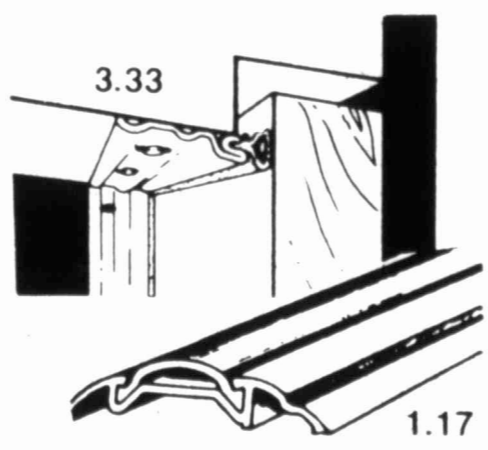


2.57

THRESHOLDS

2⁵⁷

36" aluminum with vinyl strip. High or low.



3.33

JAMB-UP

3³³

36x80" aluminum door jamb-up, vinyl insert.

DRAG STRIP

1¹⁷

36" strip for door bottom helps stop drafts.

WEATHERSTRIP

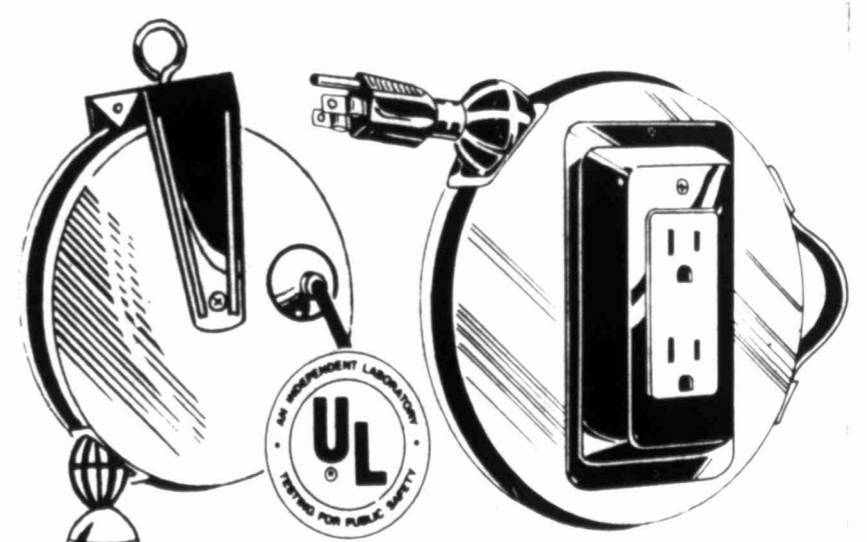
63^c

1/4x3/8"x17" self-stick. 1/4x3/4"x17"83^c

3x50' PLASTIC ROLL, \$3



\$3



ELECTRIC LIGHT REEL

10⁸⁸

Retractable reel light with 20' cord; 3-wire grounding type. For garage, shop. Save.

RETRACTABLE REEL

9⁴⁴

Multi-outlet. 3-wire; 15' cord retracts automatically. Grounding type. Save now.

SHOP AND SAVE AT K mart

Athlete dies in house fire

ABILENE — A former Abilene High School and Abilene Christian University football player, Chuck Sitton, 24, died about 2 a.m., Sunday of smoke inhalation following a house fire.

Sitton was the son of ACU football coach Ted Sitton. The victim was spending the night with a friend, Scott Henderson, when the fire broke out.

Dogs poisoned

COLORADO CITY — The Mitchell County Sheriff's Department is investigating the poisoning of three dogs, which have occurred here within the past two weeks.

MISS YOUR PAPER?

If you should miss your Big Spring Herald, or if service should be unsatisfactory, please telephone. Circulation Department Phone 263-7331 (Open until 6:30 p.m. Mondays through Fridays (Open Sundays Until 10:00 a.m.

Kmart

THE SAVING PLACE

1701 EAST FM 700, BIG SPRING

Now in the Flip-Top® box.

Soft pack or
new Flip-Top box.



Marlboro Lights

The spirit of Marlboro in a low tar cigarette.

Warning: The Surgeon General Has Determined That Cigarette Smoking Is Dangerous to Your Health.

12 mg "tar," 0.8 mg nicotine av. per cigarette, FTC Report Dec. 79.
Box: 12 mg "tar," 0.8 mg nicotine av. per cigarette by FTC Method.

es

in the food line

er food service
ed at us. They
n their feet and
goons, and we
here and talk
balls would be
racquetball, or
we like the
ood for sticking

erved some of
out of the little
e likes to put on
f us walked into
one of the kit-
g two-day-old
iches into tiny

wasn't all bad,
ry good. There
pecially when it
ut the ice box,
ches were not to

cord lows:

files. This only
hank goodness.
eft over from
fradid to ascribe
They offered us
les with one big
top. Luscious.

This dish is
ic burrito. The
ittle cold, but
ssable. Inside,
ghtful little hot
art of the main
nights earlier.

ial. This was a
ely fried and
ad filled with

an government
fi, Vesco per-
to put up \$30
lth to bribe top
officials to lift
it embargo on

artment files.
iate Indy Bad-
men began to
January 1979.
as a convicted
s Feeny, who
er circle of the
oping to gain
tence for an
ction, Feeny
ans on Vesco's
cheme.

FBI to a secret
Democratic
ohn White and
Mansur Kikkia
lock from the
promising in-
ropped with

evidence has
spoke to Stuart
omestic policy
as' hopes to get
ines released.
e subject with
shots Warren
d Saunders,
ivid Newsome.

Judge Fred
unravel another
The judge has
scheme to the
and has told
ustice Depart-
the "worst raw
has ever seen.

characteristic
nce tried to get
Nixon through
other Donald—
boozey Billy
mising way to
arter adminis-

partment was
le, both Jimmy
l to stonewall.
investigators
ad been denied
esident's diary
"despite the
ements of total
resident also
questioning but
v indefinitely.

ough material
operations to
or busy.

The pro-
personnel at
it have been
emotion when
hnan hostage
it with such
res as "in-
s even a move
ate the an-
ages' capture
lamp.



COOKIES FOR COMMITTEE — Big Spring High School homemaking students of Mrs. Alma R. Wrightsil spent their class time recently making cookies for the Southern Association Evaluation Committee. Pictured here, left to right, are Linda Marshall, Pernel Parker, Erma Juarez, and Anna Viasana.

Council on Aging selects Venora Williams as delegate

Mrs. Venora Williams, Assistant Director of the Senior Citizen Center, has been selected to represent Howard County and Texas at the Rural Aging Mini-Conference in Oklahoma City, Nov. 12-14.

Thirty-three delegates will represent rural Texas senior citizens during this regional conference on aging. Mrs. Williams was nominated by the Howard Council on Aging and The Texas Agricultural Extension Service.

"Rural America, Coming of Age" is the theme for the conference convened by Green Thumb Inc., an employment program for rural older Americans. Delegates will address issues and concerns of the rural elderly in preparation for the 1981 White House Conference on Aging which will be conducted in Washington, D.C. Nov. 30-Dec. 4, 1981.

According to Texas Green Thumb State Director Diane Parrish, Texas is one of several states to be represented at the Oklahoma conference.

"Our delegates will meet with delegates from New Mexico, Louisiana, Missouri, Arkansas, Oklahoma and Kansas," she said. Non-delegates representing individuals and organizations concerned



VENORA WILLIAMS

with problems of rural older persons will also have the opportunity to attend.

The resolutions that will be adopted from this conference will have effective input on the issues to be discussed next year in Washington. The Oklahoma conference is one of six rural mini-conferences being conducted around the nation.

Green Thumb is an equal opportunity employer. For more information about the regional mini-conference on aging, contact: Texas Green Thumb, P.O. Box 7898, Waco, Tex. 76710. Phone 817-776-4700.

These include the U.S. Department of Agriculture, U.S. Department of Labor, U.S. Department of Housing and Urban Development, U.S. Department of Health and Human Services, U.S. Department of Transportation and the Appalachian Regional Commission.

Green Thumb, Inc. is an employment program for men and women age 55 and older to work in non-profit organizations to carry out community betterment and conservation programs. Green Thumb is sponsored by National Farmers Union and is funded by the U.S. Department of Labor and local project sponsors.

In Texas there are presently 952 Green Thumb workers in 107 counties. The workers acquire a new sense of dignity and self-esteem when they are allowed to use their skills and experience in helping their community.

Many workers feel the program has added years to their lives through the rehabilitative effects of becoming active again. Green Thumb is an equal opportunity employer.

For more information about the regional mini-conference on aging, contact: Texas Green Thumb, P.O. Box 7898, Waco, Tex. 76710. Phone 817-776-4700.

Dear Abby



In This Case, Charity Began at Home

DEAR ABBY: Please continue to emphasize the fact that charities should not waste money. When I give blood to the Red Cross, I don't want a thank-you letter. When I walk door-to-door collecting for another charity, I don't need to be invited to a formal ball for dinner and dancing to be officially thanked for my help. If the public knew of this kind of waste they would be up in arms.

Those of us who work hard for charities want all the money to go where it can help the cause.

HELEN IN SAN PEDRO

DEAR HELEN: Right on! The best example of using every cent to "help the cause" reminds me of a wonderful fund-raising idea used by Goodwill Industries of South Florida a few years ago. They sent invitations that read:

"The annual Goodwill Industries dinner will not be held this year at the Americana Hotel. No cocktails will be served at 7 p.m. No dinner will be served at 8 p.m. The master of ceremonies will not be Jackie Gleason. The invocation will not be read by the Rev. Norman Vincent Peale, and the guest speaker will not be Dear Abby."

"Stay home and have a restful evening, but please send \$50 per person or \$100 per couple."

Needless to say, it was hugely successful. P.S. The moral to that story is: Many people are so bored with fancy fund-raising bashes, they'd cheerfully pay to stay home!

DEAR ABBY: My 15-year-old daughter wants to wear a chain around her ankle. We decided to go with whatever you said.

When I was growing up (I'm 37), only females of ill-repute wore them. "Nice" girls didn't wear ankle bracelets — as we called them back in those days. Is this still true?

SEEKING INFORMATION

DEAR SEEKING: It wasn't true then, and it still isn't.

CONFIDENTIAL TO M. IN WESTFIELD, MASS: A man seldom looks behind the door unless he has once stood there himself.

Colonial Dames hear coat of arms report

The Richard Hubbell Chapter of the Colonial Dames of the 17th Century met in the home of Mrs. A.R. Reynolds Nov. 8 at 1:30 p.m. Mrs. C.G. Barnett, president, presided.

Mrs. Bob Wren gave a report on insignias. It was revealed that the coat of arms belonging to a member's proven ancestor will be hung in the National Headquarters in Washington, D.C.

Knights first wore the crest of arms on their armor to signify, at a distance, who they represented. This later developed into a personal representation of the person, his position in society or occupation and tribal identification.

Many colonial fore-fathers used the crest to designate their personal belongings. Mrs. L.J. Jeter, Mrs. Jack Lipscombe and Mrs. Wren were elected to nominate officers for the coming two years.

Nita Fleming was proposed for membership on the acceptance of her papers.

Meetings will be held the third Saturdays in January, April, July and October. Dues for the coming year must be paid before January 1.

The next meeting will be at the Holiday Inn, Jan. 17, 1 p.m., at which time the year reports will be completed.

Mrs. A.R. Reynolds was hostess.

Surprise anniversary party held

Mr. and Mrs. James Cook were feted with a surprise reception at their home Sunday in celebration of the couple's 25th wedding anniversary.

Terri Jo Cook and John and Vickie Lawrence, daughters and son-in-law of the honorees, were hosts for the occasion.

Immediate family and friends attended. James Cook and Loretta Hinson were married in Big Spring Nov. 11, 1955.

Dr. Jean-Louis is Pleased to Inform The Public in General that His Office Will Be Located At 307A W. 16th. His Office Will Be Open Tuesday, November 11th.

Opening Hours Will Be
8:30 to 5:00 Monday thru Friday
and
8:30 to 12:00 Saturday

ALL DRESSES REDUCED NOW UP TO 1/3 OFF TO

Blouses-Blouses

NOW UP TO 1/2 OFF

Blouse-Blouses

Reg 8.00
35.00

gregorys
Fifth Season
On The Mall Across From Furrs

Charge It!



Tween 12 and 20 — Secondhand smoke is deadly



By Robert Wallace, Ed. D.

Dr. Wallace: I've tried to get my parents to stop smoking but to no avail. I told them that the air in our house was so bad that my younger sister and I could get sick breathing it. They said that I was "cuckoo" and that other than a discomfort, our health was in no danger. Is this true? — Rita, Elgin, Ill.

Rita: The smoke exhaled by smokers can be very damaging to those who have allergic or breathing difficulties. Scientific studies have shown that smoke drifting from cigarettes and cigars is definitely more dangerous than that inhaled by the smokers.

Please share this information with your parents.

Dr. Wallace: I am 14 and have been seeing this guy who is 17. My mother doesn't approve of me seeing him. I like this guy a lot and have been seeing him and my

mother isn't aware of it. He has a car and I am not supposed to ride in it but I do. How can I convince my mother to let me go out with this guy?

It doesn't make any difference how I'm black and my boyfriend is white. — T.R., San Mateo, Calif.

T.R.: Somehow I think that your mother cannot be convinced that this boy is good for you. Do yourself a big favor and obey your mother. If you don't you could be headed for much trouble.

Dr. Wallace: My 25-year-old sister still lives at home. She has never had a job or a boyfriend and she doesn't have one friend.

All she does is watch soap operas and yell at my sister, my mom and me. She sticks her tongue out at us and has even hit the three of us.

We have exhausted all avenues — the silent treatment, the nice treatment,

the ignore-her treatment. Nothing has worked. The only one in the family she is afraid of is my dad. Help! — Helen, Battle Creek, Mich.

Helen: It appears that your sister has had her way at home for the last 25 years and I doubt seriously that anything I write will change her ways.

Your parents are responsible for the way she functions today and they alone can do something about it.

Surely your father is aware of your sister's unruly behavior. Why hasn't he done something? Ask him.

Write to Dr. Robert Wallace, Tween 12 and 20, Copley News Service, in care of this newspaper. Please enclose a stamped, self-addressed envelope.

Judy Smith to speak to College Heights PTA

"How to Help Your Child Succeed in School" will be topic of College Heights PTA program at 7:30 p.m. in the school's cafeteria.

Speaker will be College Heights counselor Judy Smith.

An emergency resolution to be presented to the state PTA convention next week in El Paso will be considered by the local unit.

Originated locally by Marcy PTA, the resolution asks the 800,000 members of the Texas PTA to go on record in favor of a current legislative budget proposal which would increase Texas aid to public libraries from 16 per capita to about \$1 per capita.

The resolution also will be voted on by Moss and Washington PTAs at their meetings tonight.

Parents are reminded that results of the California Achievement Tests which all elementary students took in September are now available; and conferences may be scheduled with teachers.

PTA also asks that College Heights parents return to school the questionnaires

Ritual plans are finalized

At the regular meeting of the Beta Sigma Phi City Council held on Nov. 6, in the home of Nancy Fulgham, plans were finalized for the fall pledge ritual and the Valentine Charity Dance.

A pledge ritual honoring 16 new Beta Sigma Phi pledges will be held Thursday at 7:30 p.m. in the Pioneer Natural Gas Flame Room.

The charity ball function will be held Feb. 14 in the Dora Roberts Community Center at 9 p.m. Music will be provided by Westwind of Big Spring under the direction of Gerald Kennedy.

Tickets will go on sale on Dec. 5 and may be purchased from any Beta Sigma Phi member. Proceeds from the dance will be used to purchase a piece of equipment for the Dora Roberts Rehabilitation Center.

Jo Ogle, City Council treasurer, was elected as City Council Sweetheart and will be honored that night with sweethearts from four Beta Sigma Phi chapters of Big Spring.

NEWCOMER GREETING SERVICE
Your Hostess!
Mrs. Joy Fortenberry
An Established Newcomer Greeting Service. In a field where experience counts for results and satisfaction.
1287 Lloyd 263-2065

HUBBARD PACKING CO

CUSTOM SLAUGHTERING STATE INSPECTED

Meats Cut & Wrapped For Your Home Freezer

CHOICE PENFED

HALF BEEF	\$1.49 Lb.
HIND QUARTER	\$1.69 Lb.
FORE QUARTER	\$1.29 Lb.

DIAL 267-7781

HUBBARD PACKING CO

N. Birdwell (located at Stockyard) off I-20

The All-In-One Saxony

10⁹⁵ Sq Yd.

This is our choice for elegance, durability, and economy... because this saxony plush is packed with tough nylon and priced to save you money. Make it your choice... and enjoy!

Compare At \$12⁹⁵

Moffatt

CARPET AND FURNITURE

1001 11th PLACE PH. 263-0441

MULTI-TONE BOUCLE IS TWICE AS NICE

Space-dyed acrylic boucle crew neck pullovers in sumptuous multi-color shadings. Medium and Large.

Reg. 25.00 **16.99**

DUNLAPS
Highland Center

In BSISD, Tom Collins special

Hawks, Queens host rugged Cisco tonite

A pair of outstanding junior college match-ups take place tonight in Dorothy Garrett Coliseum when the Cisco JC Wranglers and Wranglerettes come to town to square off against the men's and women's teams from Howard College.

The games have been designated as Big Spring Independent School District night, with all students, teachers and administrators of the Big Spring ISD being the special guests for the games, as sponsored by radio station KBST.

The night is only appropriate, as it will mark the return of Tommy Collins to Big Spring. The former

popular BSIS Steer basketball and baseball mentor is now the head coach of the Cisco men's team, which faces the Hawks in the nightcap at 8:00 p.m.

The female teams of the two schools will square off at 6:00 p.m. in what Hawk Queen Coach Don Stevens promises to be an excellent game for his young, but potentially very good team.

The Cisco girls bring a pair of the best junior college players in the state in the form of Valencia Douglas and Mitzi Henderson, along with a seasoned team.

"They will be as good as any team that we will face this year," said Stevens. "It

will be a good experience for our players."

The Queens are 4-1 on the year, and coming off a third place finish in the McLennan Classic last weekend.

The Hawks meanwhile, have won their only game of the young season, defeating the McMurry JVs by a score of 98-89.

They will be facing a Cisco team that is described by many area college coaches as being in the same class as Midland College, a squad that many prognosticators feel will be the early favorite in the Western Conference.

"They are supposed to have a real good team," said Howard College Coach Harold Wilder. "But Tommy Collins called me and told me that they were really bad, not good at all. But you can't believe that. If Collins were coaching the Lakers, he'd tell you that Jabbar was clumsy."

The Hawks will have the same starting line-up that began the McMurry contest. That group consists of Crushon Loving and Jeff Faubion outside, with Randy Coker, Ron Akins and Kenneth Jones on the inside.

FOOTBALL CONTEST

NAME _____
ADDRESS _____
CITY _____ PHONE _____

\$25

CASH PRIZE EACH WEEK

\$1250 FIRST PRIZE

\$750 SECOND PRIZE

\$500 THIRD PRIZE

PICK THE SCORE OF THESE TWO GAMES TO BREAK THE TIES

TIE BREAKER

- () Big Spring at San Angelo ()
- () St. Louis at Dallas ()

ALL YOU DO to be eligible for the cash prizes, mark the winners of games shown in each ad or telephone facsimile, print your name and address plainly at the top of page, mail or bring to the Herald by 5 p.m. each Friday. Winners will be announced on Tuesday the following week. Mark winners with an "X" opposite your choice of tie breaker. Everyone eligible except employees of the Herald and their families. Beat the Herald Football Crystal Ball Forecasters, it's fun and profitable.

As many members of a single family may participate as wish to do so, but only one such will be eligible for an award in any one week.

Big Spring Herald--Box 1431

Address Your Envelope C/O Football Contest

Neatness is important — Be sure to mark your SCORES clearly so the judges won't make a mistake.

In case of tie in number of games missed, awarding of prizes will be on the grading of the actual scores, which should always be indicated in the tie-breaker. Your indication of these two games will break the tie. The point spread in the scores will be the basis for the breaking.

Skipper Travel Has Super Savers Rates!

The complete Travel agency — SKIPPER TRAVEL OFFERS —

● SUPER SAVER FARES

● SUPER SCHEDULES SKIP THE HASSLE WITH

"SKIPPER TRAVEL"
() New Orleans at Atlanta ()
() Army vs. Pittsburgh ()

Kmart

() Dartmouth vs Brown ()
() Prairie View A&M vs Alcorn St. ()

GIVES SATISFACTION

PHONE 3-8416

1701 East FM 700, Big Spring

Big Spring Herald SPORTS

Thursday

BIG SPRING, TEXAS, NOVEMBER 11, 1980

SECTION B

SECTION B

Oilers hang on for wild win over Pats

HOUSTON (AP) — The Houston Oilers almost forgot who they were Monday night when they jumped to a 24-6 halftime lead against the New England Patriots.

But the Oilers, who prefer a good cliffhanger to a blowout, quickly got back in character in the second half when they almost blew the lead and treated fans to their weekly chamber of horrors before pulling out a 38-34 thriller.

It wasn't decided until cornerback Greg Stremick intercepted a Steve Grogan pass in the end zone with 20 seconds left to play.

And it took a couple of Monday night specialists, quarterback Ken Stabler and running back Earl Campbell, to lead the Oilers through.

Stabler, who has posted a 11-1 record in Monday night games, completed 15 of 17 passes for 258 yards and

three touchdowns.

Campbell, in his fifth consecutive 100-yard performance in Monday night games, gained 130 yards on 30 carries and scored on runs of three and seven yards.

"It's not a matter of 'I' but 'We,'" said Stabler when asked about his Monday night success. "We've got an outstanding offensive team with a lot of talent."

Campbell, who had only 46 yards rushing in the first half, said he was trying too hard.

"A lot of the problem in the first half was my fault," Campbell said. "I was trying to push things too much. In the second half I just slowed and let the offensive line do their work. Their defense came at us very hard. There's nothing you can say but about that."

The Oilers took an unaccustomed 24-6 halftime lead on a 45-yard field goal by Toni Fritsch, Stabler's touchdown passes of 79 yards to tight end Mike Barber and 4 yards to tight end Dave Casper and Campbell's 3-yard run.

New England could muster only field goals of 45 and 26 yards by John Smith.

But Grogan, who finished with 25 completions on 39 attempts for 374 yards, brought the Patriots to life in the third quarter with a 39-yard touchdown pass to Harold Jackson and Don Calhoun's 1-yard run.

The race really heated up in the fourth quarter with Campbell scoring on a seven-yard run and Grogan matching it with a 21-yard touchdown pass to tight end Russ Francis.

Stabler came back with a 16-yard touchdown pass to wide receiver Mike Renfro, but Grogan had one more shot, a 15-yard scoring pass to Francis with 1:28 left in the game.

But it still wasn't over. New England's Most Tatupu recovered an onside kick and the Patriots reached Houston's 19-yard line before Grogan threw into the end zone and Stremick ended the threat with his interception.

"I was looking for the corner on the interception," Stremick said of his first interception of the year. "I was taking a chance on thinking corner, but I acted like a receiver and I went up and shielded him from the ball."

New England Coach Ron Earhardt, who saw his team drop to a 7-3 record, was disappointed at his team's missed scoring chances.

"We had plenty of chances to win tonight, but the best team did not win," he said. "We're just as good as they are and we had plenty of opportunities to prove it. I feel very proud of our football team."

Oilers Coach Bum Phillips was equally proud of his team. "We played as good offensively as we possibly could have," Phillips said. "You all may not think our defense played well, but I'm telling you those people have put points on the board against everybody."

Oilers defensive coordinator Ed Biles gave credit to Grogan.

In National League

Schmidt cops Player of Year

NEW YORK (AP) — Mike Schmidt, the slugging third baseman who led the Philadelphia Phillies to their first world championship in 97 years, was named National League Player of the Year by the Associated Press today.

Schmidt easily outdistanced the field, leading a Philadelphia sweep of the first four places in the balloting by a nationwide panel of sports writers and broadcasters.

He received 368½ votes, finishing far ahead of Philadelphia pitcher Steve Carlton, who last week won the National League Cy Young Award. Carlton received 81½ votes. Phillies bullpen ace Tug McGraw was third in the balloting with 13, followed by peppy first baseman Pete Rose, who had nine.

Schmidt set a major league record for third basemen with 48 home runs, breaking the mark of 47 set by Hall of Famer Eddie Mathews in 1953. It was the fourth time in the last seven seasons that Schmidt has led the NL in homers.

He also won the National League runs batted in crown with 121.

A perennial Gold Glove third baseman, Schmidt was selected to the All Star team for the fifth time last season and either led or was among the NL leaders in several other batting categories, including total bases, sacrifice flies, slugging percentage and runs scored.

Schmidt was the driving force in the Phillies' pulsating race to the National League East Division crown and had the game-winning RBI in each of his team's last five regular-season victories. It was his home run in the 11th inning on the next to the last day of the season in Montreal that ended the Expos' chances and clinched the division title for the Phillies.

Schmidt was named Most Valuable Player in the World Series after batting .381 with two home runs, seven runs batted in and six runs scored against Kansas City.

The 31-year-old Schmidt is a favorite to be named National League Most Valuable Player when the Baseball Writers Association of America announces its selection later this month.

Other players receiving more than one vote were Dale Murphy, Joe Morgan, Garry Templeton, Keith Hernandez, Bill Buckner, Steve Garvey, Jose Cruz, Dave Parker, Ron LeFlore, Gary Carter, Andre Dawson, Dusty Baker and George Hendrick.

The AP American League Player of the year will be announced Wednesday night.

Duran predicts KO for Sugar Ray bout

NEW ORLEANS (AP) — Former champion Sugar Ray Leonard begins his workouts here today, preparing for his Nov. 25 rematch with welterweight champion Roberto Duran.

Both fighters will be working out daily at the Superdome, but Leonard begins his training sessions about two hours later than Duran.

Duran zipped through his first on-site workout Monday, toying with three sparring partners through six rounds of boxing.

He took the World Boxing Council crown from Leonard by unanimous, though close, decision in June in Montreal. The rematch is scheduled for the Superdome, and promoters say they expect a live gate of around \$5 million.

Duran repeated his prediction that the fight will not go the 15-round distance.

"I'm better prepared than I was last time," he said through manager Luis Henriquez, who acted as interpreter for the Panamanian fighter.

Duran said Leonard gave him only a mediocre fight in June.

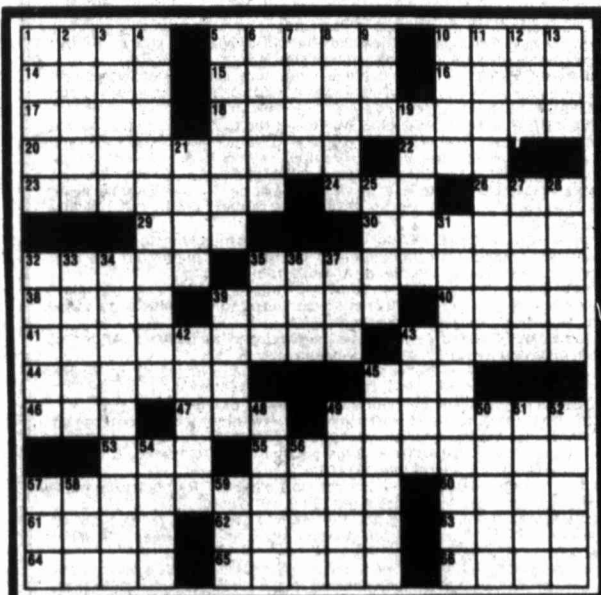
"I don't have any respect for him," he said. "When he was champion, he became the champion by fighting nobodies."

CROSSWORD PUZZLE

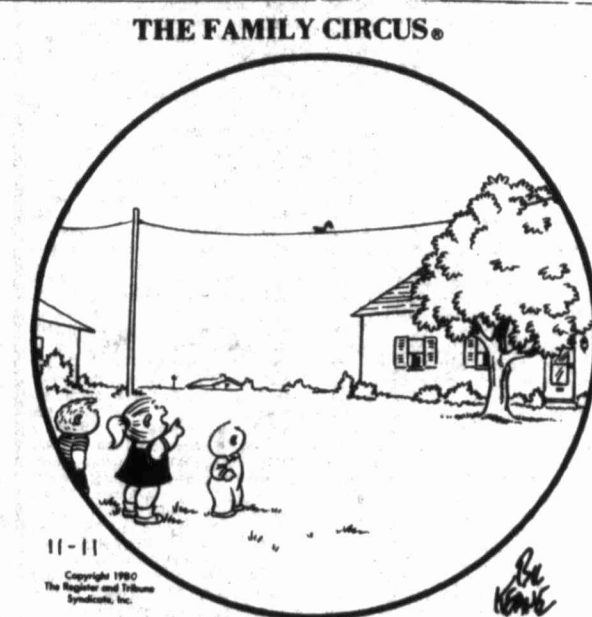
- ACROSS**
- 1 Military code word
 - 5 Made eyes at
 - 10 Idaho's neighbor
 - 14 Service or centered
 - 15 Romantic friend
 - 16 Function away
 - 17 Working
 - 18 Weatherman
 - 20 Stintups
 - 22 - jogg
 - 23 Contest hopeful
 - 24 I love: Lat.
 - 26 Ames and Wynn
 - 28 Spanish hero
 - 30 PLO leader
 - 32 - as possible
 - 35 Hence
 - 38 "Tools"
 - 39 Of hearing
 - 40 Excursion
 - 41 The great beyond
 - 43 Shaping hammers
 - 44 City in Texas
 - 45 - capita
 - 46 Rel. of Apoc.
 - 47 Monk
 - 48 Semitic tongue
 - 49 Bother
 - 55 Anticipation
 - 57 Persistence of a kind
 - 60 Afternoon affairs
 - 61 Liberate
 - 62 Pooped out
 - 63 Sentry word
 - 64 Mary-Lincoln
 - 65 Shine
 - 66 Greek portico
 - 19 Con-
 - 21 Skin cover
 - 25 Rich soil
 - 27 Singer
 - 28 Bobby
 - 28 Course
 - 31 Results
 - 32 "Who lived in -"
 - 33 Hangars
 - 34 Preceded in time
 - 35 King -
 - 36 Otto's govt.
 - 37 Hearing
 - 39 At a distance
 - 42 Concerning
 - 43 Swamp moss
 - 45 Swiffs up
 - 46 Ride for -
 - 48 Gilmore of the NBA
 - 50 "Oh for - in some..."
 - 51 "Boo!" country: comb. form
 - 52 Jail slang
 - 54 Feet
 - 56 Olaf's capital
 - 57 Sternward
 - 58 A way
 - 59 Price or rag

Yesterday's Puzzle Solved:

1. GARDEN
2. DOING
3. ADVICE
4. BROTHER
5. MADE
6. EYES
7. IDAHO
8. NEIGHBOR
9. SERVICE
10. CENTERED
11. ROMANTIC
12. FRIEND
13. FUNCTION
14. AWAY
15. WORKING
16. WEATHERMAN
17. STINTUPS
18. JOGG
19. CONTEST
20. HOPEFUL
21. I LOVE
22. LATIN
23. AMES
24. WYNN
25. SPANISH
26. HERO
27. PLO
28. LEADER
29. AS
30. POSSIBLE
31. HENCE
32. TOOLS
33. OF
34. HEARING
35. EXCURSION
36. THE
37. GREAT
38. BEYOND
39. SHAPING
40. HAMMERS
41. CITY
42. IN
43. TEXAS
44. -CAPITA
45. REL.
46. OF
47. APOCALYPSE
48. MONK
49. SEMITIC
50. TONGUE
51. BOTHER
52. ANTICIPATION
53. PERSISTENCE
54. OF
55. A
56. KIND
57. AFTERNOON
58. AFFAIRS
59. LIBERATE
60. POOPED
61. OUT
62. SENTRY
63. WORD
64. MARY-LINCOLN
65. SHINE
66. GREEK
67. PORTICO
68. CON-



"LITTLE PITCHERS GOT BIG EARS" MEANS THEY'RE TALKIN' ABOUT SOMETHING JUICY."



"Look at that squirrel on the wire. He's pretending he's a tightrope walker."

Your Daily HOROSCOPE

from the CARROLL RICHTER INSTITUTE

FORECAST FOR WEDNESDAY, NOV. 12, 1980

GENERAL TENDENCIES: You will have an excellent chance to express your talents in a direct manner now, so make a point to contact those who are in a position to help you. Strive to be more successful.

ARIES (Mar. 21 to Apr. 19) Ideal day to be where you can gain knowledge and advance in career activities. Show more devotion to family members.

TAURUS (Apr. 20 to May 20) Study the best way to carry through with any agreements you have made and get the right results. Be wise.

GEMINI (May 21 to June 21) Figure out how to have better relations with allies. Be more willing to compromise at home for the sake of harmony.

MOON CHILDREN (June 22 to July 21) Find a more up-to-date system for handling your obligations and you have greater efficiency and benefits.

LEO (July 22 to Aug. 21) Planning social events and recreations for the future is wise at this time. Study outlets that can give you added income.

VIRGO (Aug. 22 to Sept. 22) Look into new interests through which to better express yourself. Take treatments to improve health and appearance.

LIBRA (Sept. 23 to Oct. 22) Use a new system and improve your regular routines. Go to the right sources for the information you need.

SCORPIO (Oct. 23 to Nov. 21) Make plans that could give you more abundance in the future. Try not to argue with others in the evening.

SAGITTARIUS (Nov. 22 to Dec. 21) You are now able to get the backing of higher-ups in a new project you have in mind. Express happiness tonight.

CAPRICORN (Dec. 22 to Jan. 20) Making needed changes where your work is concerned will bring good results at this time. Be logical.

AQUARIUS (Jan. 21 to Feb. 19) Be your own gregarious self and express happiness with all the friends you can. Take no risks in motion.

PISCES (Feb. 20 to Mar. 20) Have serious talks with associates so that you can take advantage of a new situation. Be more reassuring to loved one.

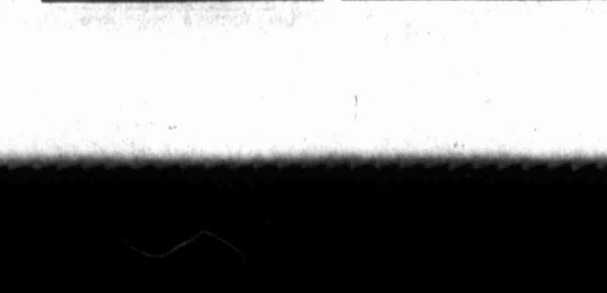
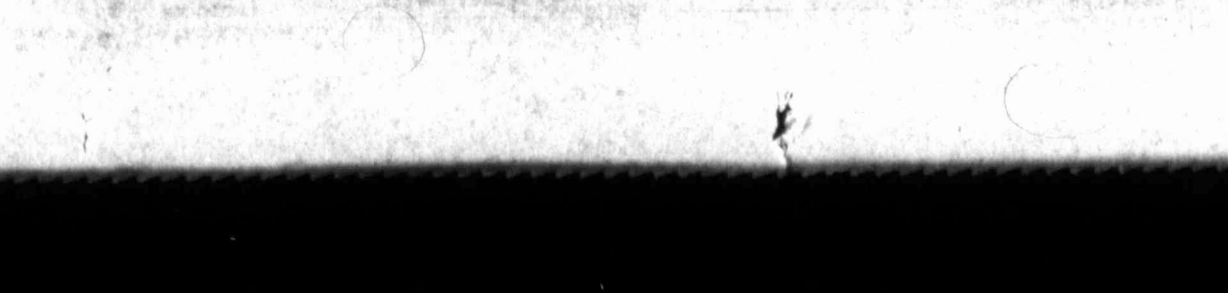
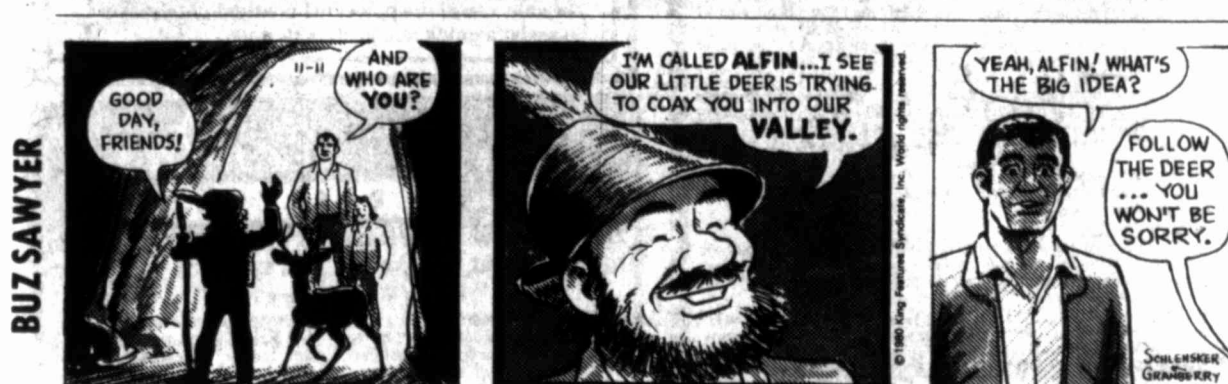
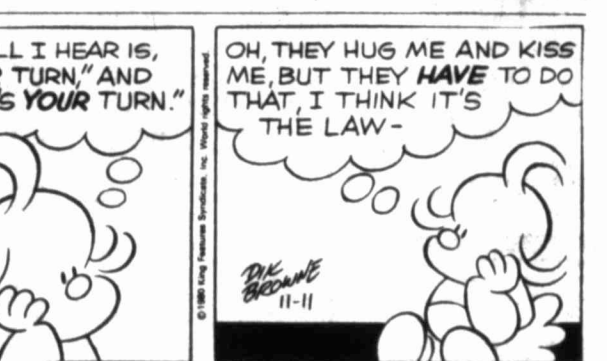
IF YOUR CHILD IS BORN TODAY... he or she will have many fine talents and should have the advantage of a fine education to make the most of them, and then much success is possible. Give good religious training. A sports-minded person in this chart.

"The Stars impel, they do not compel." What you make of your life is largely up to you!

NANCY



BLONDIE





FIRE LINE — Hazard Fire Lt. Fred Delph used a water line to soak areas around homes threatened by forest fires in the Daniel Boone National Forest near Hazard, Ky. Smoke from one fire can be seen in the background. The forest has been powder dry, and no rain was in the forecast before Friday.

More than 35,000 acres burn in forest fires

By The Associated Press
Facing dozens of forest fires and at least four more days without rain, National Guardsmen, state employees and Army soldiers from Fort Knox were battling blazes in eastern Kentucky and West Virginia today.

Arsonists were believed responsible for most of the fires. Officials said deer hunters and squirrel hunters often burn brush to flush out their quarry. Ralph Glover of the West Virginia Department of Natural Resources also blamed "people mad at landowners or people who just like to see fire burn."

Daniel Boone National Forest in eastern Kentucky, and two in West Virginia that consumed more than 9,000 acres of mountain timber. "We've got them popping up all over," said Chuck Hedgelin of the Kentucky Forestry Division. Other than a few "sprains and strains" among the firefighters, no injuries have been reported from the fires and no evacuations have been needed, said Charles Prather at the Forestry Division Office in Frankfort, Ky.

Bush says religion in politics is nothing new

HOUSTON (AP) — Vice president-elect George Bush said today that he could not understand "all the noise about religious leaders participating in the political process."

"I have heard that the Moral Majority has said I should do certain things, but I will do what I think is right and they won't intimidate me. Some of the views of the Moral Majority are not extreme, unless you think it is wrong to be for close family ties."

And soldiers at Fort Knox, about 30 miles southeast of Louisville, continued fighting a fire that has burned on the northeastern edge of the installation for about a week. "But the weather doesn't look good, and we're still looking forward to a long, dry week," Prather said. The National Weather Service said the next chance of rain in the area would be Friday.

Bush, at a Houston news conference, said there was nothing new about religious participation and "I remember battling against some preachers when I was in state politics." He said he found it strange that there was so much protest about the activities of the Moral Majority, a fundamentalist religious group which worked for the Republican ticket in this year's election.

"He, as I do, believes all the people of this nation have a right to express their beliefs. This administration will be a national one and there will be some appointees who voted against us."

Asked about his role as vice president, Bush said that his experience as a congressman from Texas and director of the Central Intelligence Agency would help him work with members of Congress and in foreign affairs.

Local educator to Washington

Mrs. Shirley Kountz, Home Economics teacher at Klondike High School, recently attended a "Task Force" meeting at National Headquarters of the Future Homemakers of America Organization in Washington, D.C. Purpose of the ten member task force was to review and improve programs and materials used by chapters throughout the United States.

He said, "I expect to spend a fair amount of time in the Senate, working closely to help get through the Reagan program. I will also have an active role in foreign policy."

The Texas oilman said it would not be easy to control inflation immediately and "there is a need for caution to not expect too much too soon, but it will be done."

Mrs. Kountz, a graduate of the College of Home Economics, Texas Tech University, Lubbock, is currently serving as one of the seven National Consultants for the National Staff, Washington, D.C. These consultants, representing different regions in the United States, present college credit workshops to strengthen Home Economics teachers or future teachers. They also present workshops for students of the organization.

Bush and his wife, Barbara, plan to spend four days in Florida, then return to Houston.

"I thought it was bad, bad foreign policy for the Rev. Jesse Jackson to deal with the Palestine Liberation Organization. I didn't like some of the things that Andrew Young said about Ronald Reagan. But people have overlooked that and concentrated entirely on the Moral Majority."

Will sail under rings tomorrow

Voyager views Saturn moon

PASADENA, Calif. (AP) — After a 38-month, billion-mile journey, Voyager I was hurtling just 2,500 miles above Saturn's moon Titan today, snapping photographs of its dense orange atmosphere as the unmanned probe sped toward the golden planet's shimmering rings.

showed a rather sharp boundary near the moon's equator and a uniformly brighter surface in its southern hemisphere.

is not its distance from home, but the weather on Earth. Some five hours of data were lost Saturday when a rainstorm inundated a tracking station in Spain.

flattened doughnut several hundred thousand miles thick, William Sandel of the University of Southern California said at a news conference.

we thought."

"Titan is getting a little bit better (in Voyager's cameras) every day," Bradford Smith, head of the Voyager camera team, said Monday as photographs revealed an orangish ball with a dark cap over the north pole.

Its cameras, radios and other scientific instruments also will probe the complexity of the rings and the mysteries of Tethys, Mimas, Enceladus, Dione and Rhea, five of the planet's 15 moons. One of the biggest hurdles for Voyager's radio signals

During critical close encounters today and Wednesday, the robot ship will store its data collection on tape recorders.

"The presence of hydrogen in the atmosphere of Saturn has been known for some time...but the shape (of the huge cloud) doesn't conform well at all to what was expected," Sandel said.

Beside providing close-ups of never-before-seen details of Saturn's cloudy surface, Voyager's photographs also showed unsuspected complexities in the rings, frozen debris only a mile or so thick but stretching nearly 300,000 miles from the planet. What most astronomers had considered six broad rings actually are filled by dozens, perhaps hundreds, of small but distinct ringlets.

Voyager's discoveries already have scientists happily puzzled. Photographs Monday showed a gigantic cloud of hydrogen gas swirling around the ringed planet. The cloud is shaped like a

The size of the hydrogen ring "means some mechanism, which we don't know, is operating to spread the hydrogen over a much larger region of space than

And Voyager has revealed new Saturnian moons and glimpses of their surfaces.

Howard County Pecan Show booked Nov. 19

The first Pecan Show for Howard County will be conducted on Nov. 19 in the Texas Electric Building. Any person may enter any number of entries free of charge. An entry consists of 40 pecans of the same variety, but not necessarily from the same tree.

entered on bottom of container. Items requiring refrigeration will be disqualified.

All entries are requested to be turned in to the County Extension Office by Tuesday, Nov. 18 to be prepared. Trophies and ribbons will be awarded winners in the various categories.

4. Type or print plainly the recipe on a 4x6 card and bring with each food entry. Name and address should be on recipe.

In addition, there will be a food show for dishes prepared. Division rules follow.

5. All entries must be brought to the Texas Electric Reddy Room between 8 a.m. and 10 a.m. Wednesday, Nov. 19.

More information on the Pecan Show may be obtained by contacting the County Extension Office located in the Howard County Courthouse in Big Spring.

6. There is no limit on number of entries.

Educational programs conducted by the Texas Agricultural Extension Service serve people of all ages regardless of socio-economic level, race, color, sex, religion or national origin.

7. Ribbons will be awarded to the first 10 placing entries in each category. Ribbons will be awarded for Grand Champion and Reserve Champion in the youth and adult division.

Pecan food show division rules:

8. The food show and pecan show will be open to the public from 2-5 p.m.

9. Pick your food entries up between 4:30-6 p.m. Nov. 19. If you have a question concerning the pecan food show, call 267-8469 and we will help you.

1. Categories will be bread, cookies, pies, cakes, candy and miscellaneous. All entries must contain pecans. There will be a division for adults and youth.

Rules for Pecan Show

1. Entry includes 40 pecans of the same variety. (They do not necessarily have to come off the same tree.)

'Bible in Pocket, Gun in Hand' book reviewed by Mrs. Brewster

Mrs. O.T. Brewster, who with her husband was a guest, offered a review of the book, "Bible in Pocket, Gun in Hand," to members of the Evening Lions Club at the Bonanza Restaurant Monday evening.

2. Enter as many samples as you would like.

3. Entries must be in the County Extension office on or before Tuesday, Nov. 18.

4. All entries must become property of the show and cannot be returned.

5. Show will be Nov. 19 in the Reddy Room of Texas Electric.

The book, written by Dr. Phares, is a true report on the American frontier and the circuit-riding preachers, who sometimes used their six-shooters to persuade the disbelievers.

Larry Don Shaw was a guest. Club president Larry Sheppard presided during the monthly ladies night meeting. An estimated 45 attended.

KNOW YOUR CARRIER



Donnie Hale, Jr.

Donnie Hale, Jr., manages his own Herald route. He's only thirteen and is already enjoying the independence a Herald route can give him.

When young people sign up for newspaper route work, they are really signing up for independence. The kind of independence that goes with earning their own money, running their own business, and dealing with people on a one-to-one basis, like Donnie does each day.

Donnie delivers to people living on the 300-900 blocks of E. 13th and E. 14th Streets, and the 1300-1400 blocks of Johnson, Nolan, Austin, Owens and Benton. His route is 133 and he has been managing it since August.

Herald carriers are young business men and women. They provide a vital service, handle their own finances and reap a handsome profit from their efforts. What better training to prepare young people like Donnie for the future?

Donnie is an eighth grader at Runnels and lives with his parents, Donnie and Karn Hale at 1001 Main.

If your son or daughter is interested in stepping into the business world and declaring their own independence, contact the Herald circulation department at 263-7331 or stop by the Herald at 710 Scurry for a route application.

Big Spring Herald

FOR INSECT AND TERMITE CONTROL
CALL:
SOUTHWESTERN AIR PEST CONTROL
267-8190
2008 Birdwell Lane

Desegregation case delayed

DALLAS (AP) — A federal judge said the Dallas desegregation case is the "No. 1 case on my docket," but delayed opening arguments until February to allow completion of busing studies.

MOVIE HOTLINE 267-5561
MOTEL HELL 7:00-9:00
You might just die... laughing!
Terrorized in the toilets? ENDS SOON 7:10-9:10
My Bodyguard R-70
A 24 hour nightmare of terror. **FRIDAY THE 13TH** ALL SEATS \$1.00 ONE SHOWING 7:30
RITZ TWIN 7:10-9:10
And lo, there was another movie. **OH, GOD! BOOK II** PG
John Travolta 'URBAN COWBOY' 7:00 ENDS SOON 9:20 RITZ TWIN

If your employees' health insurance costs have gone through the roof, call one of the best for help.

Nobody does more than Blue Cross and Blue Shield of Texas to help companies control health care costs. For proof, call one of the representatives shown here and get an honest comparison of cost and coverage. You may be surprised.

Give your company the benefit of the best.



(915) 949-0557
2404 West Avenue N, San Angelo, Texas 76901

GROUP LIFE AND HEALTH INSURANCE CO., a wholly owned subsidiary of Blue Cross and Blue Shield of Texas, can give your company the additional benefits of Group Life, Dependent Life, Permanent Life, Accidental Death and Dismemberment and Income Protection.