

Morton Tribune

WELCOME RODEO VISITORS!

MORTON, TEXAS, THURSDAY, AUGUST 11, 1960

ISSUE NUMBER TWENTY - FIVE

LIFE INSURANCE
Williamson Insurance Agency
PHONE 5691 MORTON
OFFICE HOURS 8-5

VOLUME NUMBER TWENTY

PRELUDE TO RODEO

HOCKLEY POSSE TO 'RIDE' MAIL TO MORTON

The first leg of another Pony Express mail run will be run again this week, (today) just prior to the rodeo parade slated for Morton at 3:30 p. m.

Prominent D.O. Hospital Exists Only to Offer Patient Care

A hospital should exist for only one reason — "patient care", Dr. R. Russell, D. O., executive secretary and treasurer of the Texas Association of Osteopathic Physicians and Surgeons, told members of the Memorial Hospital Board of Managers Friday night.

Russell, who flew from Ft. Worth to Lubbock Friday afternoon, spoke informally to members of the hospital board and members of the Cochran County Commissioners Court at a called meeting of the board in the Court-

room also visited in the hospital some two hours that afternoon prior to his appearance before the board.

The only official action taken by the board Friday night was to approve an expenditure of some \$500 for repair of the hospital's air conditioning unit.

Russell had been invited to speak before the board by members of the board.

He explained that he was a former member of the State Board of Health, and a former member of the State Medical Board.

Russell began his talk by pointing out what constituted a Texas licensed D.O., their schooling, and internships.

During the evening he was asked about the constitution and bylaws of the Memorial Hospital. After listening to them, he advised some changes.

Change in particular regarding who shall practice in the hospital, he advised writing: This should be an open staff hospital to licensed physicians and surgeons of the State of Texas who are members of their respective medical associations and approved by the board.

Regarding the physical plant of the hospital, he advised placing an exhaust fan in the floor of the operating room, special air conditioning for the nursery and the operating room.

During the evening Dr. Russell pointed out the importance of "patient care."

He outlined to the board what the board should expect of its administrator, its staff, and what would require of itself.

Present for the meeting were O'Brien, president of the board; L. W. Barrett, L. E. McDonald, C. King and Bill Glassford, members.

Commissioners present were LeSelfers, Sonny Dewbre, and Al Rawls.

Others present during the evening included County Judge Glenn Simpson, Dr. C. G. Cogburn, Dr. D. M. Agee, D. O., Lewis, hospital administrator Sammy Leverett.

Cogburn and Agee had to leave the meeting before it was around 11 p. m. to attend an emergency at the hospital.

Products Meeting Fairview Baptist

Fred Thomas, pastor of the first Baptist Church, Morton, is conducting a meeting this week at the Fairview Baptist Church west of Levelland.

The meeting, which began Sunday, August 7, will continue through Sunday, August 14.

They plan to arrive in Morton shortly after 2 p. m. Cochran County Sheriff Posse riders will return to the gesture as a prelude to the Hockley County Rodeo at Levelland next week.

Started last year, as a commemoration of 100 years since the pony express, the event not only drew interest here but was cause for nationwide publicity for both towns.

The official name for the pony express rides is the Staked Plains Overland Mail Company, a title hung on them last year by the Federal Post Office.

The riders will leave Levelland at 1 p. m. today and are expected to arrive in Morton at 2:05 p. m. The return trip is planned for next Thursday, August 18 to arrive in Levelland between 2 and 3 p. m.

Although the pony express idea was commemorating the days when mail was carried by pony and wagon, the anniversary date being observed last year was the commemoration of 30 years of between city mail service between Morton and Levelland.

Large crowds lined the highway last year to watch the run and ex-

pected larger crowds are expected this year. Peace officers are planning to assist in holding back the crowds and maintain safety precautions.

Hockley County riders who are planning to make the trip this afternoon are Rayford Bynum, Donna Bynum, Hubert Cook, Leland Yearry, Buddy Yearry, Bert Eads, Truitt Forbus, Charles Macha, H. B. Wright, James "Son" Wright, Roy Whittenburg, Vernon Bryant, Otho Rush, Barney Thompson, Earl Cunningham, Carl McInroe, Bill McInroe, Kirby Rogers, Phillip Robinson, Clyde Prestwood, Jr., Dr. Bob Roberson, Mike Roberson, Thomas Elmer Barton, Jerry Barton, Floyd Hunt, Joan Hunt, Ann Hunt, Don Hicks, Butch McMillan, Kenneth Schwab, Royce Kitchens, Dav'd Brown, Linda Butler, Pat Kauffman and John Burnett, all of Levelland.

And, Hank Matthews, Anton; Bill Thompson, Smyer; Don Johnson, Sundown; Ray Tussey, Richard Arant, Jim Collins, John Turpin, Melvin Marcey, Homer Lee Dalton, Henry Pinkston, Ray Blair, R. E. Bullin, and Duane Ferguson, all of Ropesville.

Parade at 3 P.M.; Barbecue at 5 P.M. —

RODEO OPENS HERE TONIGHT

RAINS BOOST OUTLOOK FOR COTTON CROP RECOVERY

Cochran County, along with most of the rest of the South Plains area, was the recipient of welcome showers Wednesday morning that were hailed throughout the county as "just what the doctor ordered for growing cotton."

Though the official measurement in Morton at the SCS Office was only .45 of an inch, the rains measured up to 3.5 inches on Mon Tanner's farm 14 miles northwest of the city. Other measurements reported to the west included 2 inches by D. A. Ramsey, and several others from an inch to 1.5. Northwest, Don Lamar got a half inch and around the Maple area that was fairly standard.

Just southwest, Jug Hill recorded only .7; but below Lehman, Delbert Stephens had 1.5 inches and at the Townsend Gin the reading was 1.25. Southeast, L. E. McDonald had a 1.2 reading. Among the many farmers who had "about an inch", were

Bill Zuber and Odell Fulton.

Some irrigated farmers had enough water to allow them to shut off wells for a few days, but others continued to water tall cotton.

But the blessing to dryland farmers was a great one, and even the Rodeo Association got a boost with a rain that put the rodeo grounds in almost perfect shape, just two days before the rodeo.

New Pastor of Spanish Church

Rev. Martin Musquiz of Plainview has accepted the pastorate of the Morton Spanish Assembly of God Church, it was announced this week.

Rev. Musquiz will give full time to the local church.

The 10th edition of the "Texas' Last Frontier Rodeo," fast becoming one of the more popular shows of its kind in the area, will be unraveled this weekend, beginning today and concluding Saturday night.

There will be three performances of the rodeo, tonight, Friday night and Saturday night. Cowboys from all over the area will compete for a purse consisting of all entrance fees divided nine ways in each event. Over the three night haul there will be two go-rounds, which simply means that each cowboy or cowgirl will be allowed two chances to compete in his or her specialty. There will be a winner, a second, and a third place for each of the two go-rounds, and then there will be an average winner, second and third place, for both go-rounds.

But the rodeo itself will not be the opening of ceremonies. Directors of the Rodeo Association, all well experienced in their business, have planned a pretty full day of activities in addition to the rodeo today.

You might say the ceremonies will get underway prior to the rodeo parade when the Hockley County Sheriff Posse riders will carry the Staked Plains mail into Morton at around 2:05 p. m. on the first leg of the two way trip.

inter-city service.

Then at 3:00 the rodeo parade which should be a whopper, will begin its trek downtown. Featured in the parade will be 15 rodeo queen candidates, from 12 to 15 Sheriff Posse, and an undetermined number of floats and business entries, the Morton High School Band, and a fire engine distributing a load of ice cream bars to kids along the parade route.

The rodeo, as in the past, will get underway with the Grand Entry slated for 8 p. m., at the rodeo arena, northwest of the city.

Rodeo Association President Herb Hillman said all advance plans were in readiness last week, and he was expecting a large group of cowboys to plunk down their entry fees in the various events this morning. He said our rodeo was getting the full treatment as far as advance advertising was concerned, from rodeo announcers around the area.

Rodeo stock again this year is being provided by Morris Stephens of Quitaque, one of the best known and respected stock producers in the country.

Admission to the rodeo is also \$1.50 for adults and 50c for children.

The main differences between this year's rodeo and those of the past is that this year all cowboy entry fees will constitute the purse for contestants, rather than for the association to give back half of the entry fees and an added purse.

15 Girls Seeking Honor of Serving As Rodeo Queen

Fifteen candidates for the position of Rodeo Queen, were working hard selling rodeo tickets as the final hour for tabulation and the naming of the queen drew near.

Pictures of all of the 15 queen candidates, except those of Lynda McCarty and Judy Willingham, (which were not available) are contained in this issue of the Tribune.

The winner is to be announced tonight at 8 p. m., at the first session of the rodeo.

Gospel Meeting To End Sunday

Attendance was reported good this week at the Gospel meeting which began Sunday at the East-side Church of Christ, Morton.

The meeting will continue through Sunday, August 14.

Minister J. V. Davis of Lubbock, well known area preacher, is conducting the services.

Services are being held weekdays at 7 a. m. and 8 p. m. Sunday services will be at 10 a. m., 10:50 a. m. and 6:30 p. m.

A cordial invitation has been extended area residents to attend any and all services by Minister Charles J. Hill of the church.

Services Held For Brother of Morton Resident

Funeral services were held Friday at Rotan for Clarence Blackstock, 39, brother of Tolbert Blackstock of Morton.

Mr. Clarence Blackstock died at a Rotan Hospital Thursday following a heart attack at his office.

He was chief of police at Rotan, and had been a peace officer for a number of years.

Following the services at Rotan, burial was at Lamesa.

Attending the funeral from here were Mr. and Mrs. Tolbert Blackstock, Linda and Maurice, Mr. and Mrs. Harold Blackstock, and Mr. and Mrs. Tracy Enos.

Meeting Set for Bledsoe Methodist

A revival meeting opening Aug. 28 at the Bledsoe Methodist Church, will be conducted by Rev. Delton Fisher, Evangelist, from Lueders, Tex.

Prayer meetings at 7:45 p.m. will precede the 8:00 p.m. service each day.

Rev. A. W. Kille, pastor, invites everyone to attend the meeting.

Missionary Baptist Revival Begins Next Monday

The public is cordially invited to attend any and all services of a revival meeting which gets underway Monday at the First Missionary Baptist Church in Morton.

Rev. John Mullins, pastor of the Fifth Street Baptist Church, Levelland will be the evangelist.

Services are set for 10 a.m. and 8 p.m. daily, and the meeting is to run through Sunday, August 28.

Flash-O-Gas Buys Merritt Butane

Flash-O-Gas of Morton announced this week the purchase of the butane division of Merritt L. P. Gas Co., Morton.

In making the announcement, Tommy Lynch, manager of Flash-O-Gas here, said the firm will open new offices in September at the former Merritt plant north of Morton on the Enochs highway.

(See page five of this publication of the Tribune for complete details.)

The Merritt firm, which will be known as the Merritt Gas Co., will continue to offer area folks Mobil gasolines, oils, and lubricants, and Ward's tires and batteries.

R. J. Merritt entered the butane business here eight years ago. A number of years prior to that he purchased the Mobil firm here.

He expressed his appreciation for the "wonderful patronage" area folks have given the firm, and extended an invitation for LP gas users to patronize Flash-O-Gas.

Fred Kelly, who has been with Merritt L. P. Gas Co., has joined Flash-O-Gas as a delivery man. He has been delivering fuels in this area for the past 17 years.

Other personell at Flash-O-Gas are Connie Cleavenger and Wiley Hodge, delivery; Thomas Lynch service, and Tommy Lynch, manager.

The manager explained that the Flash-O-Gas firm would move its storage tanks out of Morton as a safety measure.

10th Annual

"TEXAS LAST FRONTIER" RODEO

MORTON TEXAS

● RODEO EVENTS ●

- Saddle Bronc Riding
- Bareback Bronc Riding
- Bull Riding
- Calf Roping
- Double Mugging
- Ladies Barrel Race

RODEO QUEEN CONTEST
Based on Advance Tickets Sold

SPECIAL POSSE WAGON RACE
THURS. NIGHT AUGUST 11th JACKPOT EVENT \$5.00 Entry Fee

DON'T MISS THE BIG ANNUAL RODEO PARADE
at 3:00 P. M., THURSDAY, AUGUST 11th, in Downtown Morton
AWARDS to Prize Winning POSSES and FLOATS

RODEO BARBECUE DINNER — open to public
on THURSDAY, AUG. 11th at 5:00 P. M.
Served at the Cochran County Activity Bldg. Banquet Room
Adult Plates \$1.50 CHILD PLATES 75c

KIDS GOAT SACKING
EACH NIGHT BOYS and GIRLS 12 Years old and under

Aug. 11-12-13

STOCK CONTRACTOR, MORRIS STEPHENS, QUITAQUE, TEXAS

VISITORS SPEAK TO JAYCEES, LIONS . . . Pakistan Will Oppose Communism Because of Religious Beliefs

"Pakistanians have no love for Communism or Communists," Ghulam Zakriya Shaik and Khan Ahmad Khan told a group of Jaycees and guests at the regular meeting of the club, Monday.

The Speakers were honor guests of the club, and guest Lions Club members at the lunch. They spoke to the group regarding their country and their customs.

The Lions and Jaycees presented each of the two men a pair of cowboy boots as a remembrance of their Morton visit.

Explaining his statement on Communism, Shaikh pointed out that their religion, Muslim (Moslem) teaches belief in only one God, and this is steadfastly opposed to the Communist doctrine which refutes a belief in a Supreme Being.

Shaikh spoke first to the group telling of their country, one of the world's newest, and of their trip to this country. Then the two men answered questions concerning their customs, beliefs, etc.

Shaikh pointed out that they are district agents, the Pakistanian counterpart of the county agents in our own country. They have been in this country since February studying various agricultural methods and upon leaving here, Friday, (they have been in Morton nearly a month) they will go to College Station for two weeks study at Texas A & M College; then to Purdue University, Lafayette, Ind., for a week of study then to Washington, D. C. and then fly back to Pakistan, Sept. 10.

Before going back they will get to view Thursday night's Texas Last Frontier Rodeo.

Their state was described by Shaikh as the biggest of all Muslim states, 367,000 square miles and the 5th largest of all countries in the world. Divided into East and West Pakistan. East Pakistan has 38,000,000 of the nation's total people (700 per square mile) and only 54,000 of the square miles of land. West Pakistan has 52 million persons, 312,000 square miles of land, one fourth of which is in farming.

The climate of Pakistan runs about the same extremes as the United States depending upon elevation. Crops in West Pakistan are very similar to ours, and they grow nearly every type of crop (fruit, vegetable or grain) that our country grows. In East Pakistan 80 percent of the entire world's production of jute is grown.

They have sugar factories, including the biggest in all Asia; they have now 5,000,000 acres in West Pakistan under irrigation; they have 121 textile mills as compared to only 12 before their independence.

They have paper mills, fertiliz-

er plants, and most types of production and manufacture we have in this country with a few glaring exceptions.

Only 20 percent of the nation is literate, though an extensive school system, much like our own, is rapidly correcting this. They have free education through the first 8 grades for all children, but this is not yet compulsory. Of the 8th grade graduates about 15 percent go on to college, and college training is not unusually expensive by standards of comparison.

A big difference in the educational system is that it is not educational through the first 8 grades, except in the larger cities. Boys and girls both go to separate schools. However, women are going on to colleges which are co-educational and entering the fields as doctors, etc.

Of the total population 86 percent have the Muslim faith, but there is no forced state religion and there are people of practically every faith in the country who have freedom of worship.

The form of government is much like that of our own with a central government over state governments, provincial governments, and district governments. East and West Pakistan are the two states, the provinces (10 divisions of each state) are comparable to our states, and the districts are comparable to our counties. Each division has a Commissioner and each district has a Deputy Commissioner. People pay state, local and federal taxes, such as we do.

The language spoken is called Urdu, referred to by the British as vernacular; but English is taught from the 5th grade up. They write their language, from right to left, on a page.

Pakistanians have a very strong military and have a great deal of pride and respect for their military. All men serve in it at one time or another.

Many of their customs which would seem strange to us, come from their religious beliefs which in turn come from 5 books which were handed down to the prophets. They look upon Him as a messenger of the Supreme Creator, rather than as the Son of God.

They do not derive any of their religion from the books of the New Testament. They eat no pork, do not eat beef, sheep, goat, etc. They do not drink alcoholic beverages of any kind, it also being against their religion; and their dope addiction problem is a minor one, the men said in answer to questions from the group.

Other of their customs practiced include the father and mother selecting the bride for their son; prospective brides wear veils and the man may have never met his bride - to - be before his marriage; a strong fidelity to the father of the household; so strong that all sons and their families live in the same household until after their father dies. Then, and only then can they leave and reside over a household of their own.

Although their religion allows up to four wives, most of them have only one wife. The practice of having more than one wife requires the man to be able to supply all of the material needs of as many wives as he marries.

Both men expressed the thought that one day multiple marriages will probably be outlawed. Divorce in their country is 2 1/2 percent as compared to a huge percent in this country.

Not only do all the sons and their families live in one household but they eat together. As according to their faith the Muslims pray five times daily.

The Muslim faith calls for burial of the dead, rather than destruction by fire as the Hindu's

practice. The country has doctors who practice independently, and also has government hospitals for those unable to pay for medical service.

A close study of their way of life bears a far more remarkable resemblance to Western culture and methods than to the ancient methods of their ancestors, or the eastern ways of Communist dominated countries.

Coca Cola is not found in Pakistan, the people of that country do, however, have many varieties of carbonated fruit drinks. They travel by railroad, bus and car, though cars are not nearly so

prevalent as they are here. They import most of their cars, also ride by buggy, and farm by oxen except in the big farms where they have tractors.

There is a problem of under-production rather than over-production and thus they have no production quotas.

The two men gave the Morton gathering, and several others they have addressed previously, a feeling of kinship and companionship on the side of freedom . . . for they will remain an ally against the creeping dangers of Communism, their deep sense of religious beliefs will see to that.

The OLD RANCHER

MOVING SALT FEEDERS HELPS ME COAX COWS TO GRAZE ALL MY RANGE.



WINNERS ARE NAMED IN COUNTY INVITATIONAL SHOOTING MATCHES

A total of 54 persons entered the Pioneer Rifle Club's first invitational shooting matches, Sunday.

Winners were named in the five events with B. L. Warren of Levelland walking off with top aggregate honors and the shooting plaque by amassing a total of 5,567 points. To win these honors Warren placed in four of the five events, missing only in the high powered rifle event.

Here's how the top three competitors placed in the five events:

- Shotgun:
 - B. L. Warren, Levelland, 24
 - Guy Sanders, Morton 22
 - Charlie Cumpston, Morton, 22
 - Bench Rest Rifle:
 - Dudley Fields, Levelland 5/8 in. group.
 - Charlie Compton, Morton, 31/32 in. group.
 - B. L. Warren, Levelland, 1 in. group.
 - 3 Position High Powered Rifle:
 - Don Lackey, Tokio, 116
 - Eugene Gerik, Littlefield, 101
 - F. O. Marshall, Lubbock, 95
 - Pistol (NRA)
 - Dudley Fields, Levelland, 273
 - B. L. Warren, Levelland, 251
 - F. O. Marshall, Lubbock, 244
 - 4 position 22 cal. rifle
 - Charlie Cumpston, Morton, 288
 - Tokie Doty, Morton, 286
 - B. L. Warren, Levelland, 251

Registration Set For Students at Morton High At Morton High

Hours and days for Morton High School students to pick up their schedule cards for the 1960-61 school term were announced this week by Tom Pate, high school principal.

Seniors have been asked to come to the high school to get their schedules from 9 a. m. to 10:30 a. m. Thursday, August 18.

Juniors are asked to come by for their schedules from 10:30 to 12 noon Thursday, August 18.

Sophomores are asked to pick up their schedules from 9 a. m. to 10:30 a. m. on Friday, August 19.

Freshmen may get their schedules from 10:30 a. m. to 12 noon Friday, August 19.

New students moving into Morton district may come by and work out their schedules at the times which correspond with their classification.

Driver Secured For Dallas Trip

A driver has been secured for the twirlers and cheerleaders bus trip to Dallas. Bill Hulse, Morton school band director, announced this week.

Sammy Leverett of Morton will drive the bus to Dallas, he said. Also making the trip will be Mrs. Leverett and the band director. The group will leave before daylight on Sunday, August 14, to attend the SMU twirlers camp. The group expects to be back August 20.

17 New Phones Added Southeast By 5-Area Coop

If everything goes according to plan, area folks will be able to reach 17 new families and customers by telephone the latter part of this week, Five Area Telephone Cooperative manager, D. B. Lancaster advised.

The new phone hookup, which includes a group of families east and southeast of Morton, has been underway for sometime. The phones will be in the Lehman exchange.

Included in the list of persons who will be reached under the new additions are:

- Alamo Cotton Co., (Gin): Ray Carter, Route One; J. W. Grant-ham, Route One; Gilbert Lynch Route One; D. L. Linder, Jr., Route One; H. R. Ramp (Dairy Farm), Route One; C. B. Betts, Morton; Jesse Clayton, Star Route Two; Emmett Jones, Route One; Olin Lewis, Whiteface; Jim Middleton, Morton; L. L. Taylor, Route One; W. A. Bowles, Route One; J. P. Cunningham, Route One; G. C. Keith, Whiteface; W. A. Lewis, Whiteface; and Bob Mayon, Star Route Two. All are rural residents, though some have an in city mailing address.

CANDIDATES FOR RODEO QUEEN HONORS



PATSY WALDEN
Durwood's Texaco



BARBARA JENKINS
Lebow's Cafe



EVELYN AINSWORTH
Allsup - Reynolds Chevrolet

Country Club Gin Lake Receding; Road Is Passable

The Country Club Lake, still imposing looking to persons who hadn't recalled such periods of rainfall in area history, had receded enough Sunday for autos and pickups to pass across the lake on the farm-to-market road.

One other green, (No. 4) was beginning to emerge from the waters at the golf course which will had three greens under water. The Country Club is going to be out considerable expense in rebuilding the greens which had been underwater. Some of the trees were also killed.

Waters had nearly receded from the gin office building on Sunday afternoon.

ON VACATION

Mr. and Mrs. Amos Taylor and children, Jerry, Betty, Mary, and Kenneth, are expected back this week from a two week sight-seeing and vacation trip to points on the west coast.

DOUBLE ON TUESDAYS

WELCOME TO THE RODEO

See Your Savings GROW

— SPECIALS for FRIDAY and SATURDAY

LONGHORN CHEESE lb. 49¢

U. S. GOOD, 7 Cuts BEEF ROAST lb. 45¢

STEAK U. S. GOOD LOIN pound 69¢

KIMBELL'S OLEO 5 lbs. 79¢

— FROZEN FOODS —

Stilwell, Sliced in Heavy Syrup STRAWBERRIES . . . 10 oz. pkg. 19¢

Keith's, 24 Count DINNER ROLLS Pkg. 27¢

TOMATO JUICE RENOWN 18 OZ. CAN 15¢

COFFEE 1 pound can 69¢

PICKLES SILVER SAVER SOUR or DILL quart 25¢

— FRESH PRODUCE —

TENDER LETTUCE lb. 15¢

Home Raised Nice Large CANTALOUPE lb. 8¢

CAT FOOD FRISKIES TALL CANS 2 CANS 25¢

WILLIS FOOD STORE

Phone 2581 — WE DELIVER

LIBBY'S, 12 OZ. Can LUNCH MEAT . . Can 45¢

PREMIUM SNOWDRIFT 3 lb. can 69¢

KIMBELL'S CHERRIES No. 303 Can 19¢

LIBBY'S, Crushed PINEAPPLE No. 1 Can 15¢

OREO COOKIES . . . full pound 45¢

SUNSHINE CRACKERS . . . 2 lb. box 52¢

New Crop PINTOS 4 lbs. 52¢

ZEE, 80 Count NAPKINS 2 pkgs. 25¢

AD FACT NO. 7 . . .

U. S. citizens smoked approximately 456 billion cigarettes last year — 4.5 percent more than in 1958. Consumers in the U. S. and Canada spent over \$7,000,000,000 for all kinds of tobacco products in 1958. To sell the greatest number of speculative customers, the tobacco industry, in 1959, increased its investment in newspapers an estimated 21.6 percent over 1958.

TEXAS PRESS ASSOCIATION
AUSTIN, TEXAS

Welcome Visitors!

to the

10th ANNUAL

Texas' Last Frontier RODEO

3 Big Performances
8 P.M. Nightly

Allsup-Reynolds Chevrolet Co.

113 EAST WASHINGTON MORTON PHONE 3361 or 2311

WELCOME, FOLKS!

"TEXAS' LAST FRONTIER"

RODEO



3

**BIG DAYS
AUGUST
11-12-13**

PARADE — Thursday, Aug. 11, at 3 P.M., Downtown Morton
(ROB RICHARDS, Parade Marshall)

RODEO DINNER — Thursday, Aug. 11, at 5 P.M., County Activities Bldg.
(OPEN TO PUBLIC — Adults \$1.50, Children 75c)

RODEO QUEEN CONTEST Based on Advance Ticket Sales
GRAND ENTRY at 8 P.M. EACH EVENING, Welcome All!

Cobb's Department Store
"the house of famous brands"

P & B Automotive
W. G. Baker and Tom Rowden

Danez Beauty Shop
West of the Malt Shop

McMaster Tractor Co.
Ford Tractor dealers for you

McDermott Liquified Gas
on the Muleshoe Highway

Chat and Chew
Morton and Levelland

Collins Packing Co.
on the Country Club Road

Morton Electrical Supply
Mr. and Mrs. Fred Morrison

Merritt Gas Co.
Distributor of MOBIL Products

Doss Super Food Store
Double Frontier Stamps on Tuesday

Loran-Tatham Co.
headquarters for irrigation equipment

First State Bank
Member Federal Deposit Insurance Corporation

Bracken Furniture & Appliance
Quality Is Our Most Important Product

West Side Grocery
Lonnie Mings

Gifford-Hill Western
Irrigation Supplies

Singleton Funeral Home
Phone 4591 Morton

Raines Cash Food
We Give and Redeem Big Chief Stamps

Lebow's Cafe
Bob and Janie Lebow

Morton Auto Parts
Amos Taylor

Barton's Shamrock Service
Ott Barton

Nu-way Cleaners
Mr. and Mrs. Jack Wallace

**Bailey County Electric
Co-operative Assn.**

Butler Motor Company
Skinner Butler

The Ideal Gift Shop
Mr. and Mrs. Truman Anglin

Silvers Butane Co.
East on the Levelland Highway

Windom Oil and L. P. Gas Co.
Phillips 66 Wholesale

Herb's Gulf Service
North on the Enochs Hi-way

Morton Jaycees
Mondays at Noon

Seaney's Grocery & Market
for the BEST in meats

Modern Motor Service
Jack Jones and John Duke

Truett's Food Store
we give and redeem MORTON stamps

Eastside Cafe and Pastries
Mr. and Mrs. O. D. Vernon

Morton Gin Co., Inc.
Mark Kennedy, Manager

McAlister - Huggins
John Deere Implement Dealer

Morton Malt Shop
Mr. and Mrs. Rob Richards

Luper Tire Service
C. E. Luper

Western Abstract
Mr. and Mrs. W. M. Butler

Piggly Wiggly
where you get S and H Green Stamps

Williamson Insurance Agency
Located in the First State Bank Building

Morton Floral & Greenhouse
Mr. and Mrs. Lem Chesher

Cochran Power & Light
"serving the last frontier"

City Flower Shop
Mr. and Mrs. J. T. Holloman

Higginbotham - Bartlett Co.
"Good Lumber"

Jackson Farm & Ranch Store
Paymaster Fees and Seeds

Stricklands Cleaners
Mr. and Mrs. R. C. Strickland



Morton Lions Club
Wednesdays at Noon

Glenn W. Thompson
Cochran County Judge

Hawkins Oldsmobile Co.
home of the fabulous new OLDS

Willis Food Store
we give BUCCANEER Saving Stamps

Morton Co-operative Gin
On North Main

Lessye Silvers
Cochran County Clerk

Rose Auto and Appliance
Neal H. Rose

Bedwell Implement Co.
Your M-M and M-F Dealer

Sheriff Hazel Hancock and Staff
We're here for Your protection — Please drive CAREFULLY

Connie's Gulf Service
your Good Gulf dealer

**Ray's Hardware
AND FURNITURE CO.**

**St. Clair's Department
and St. Clair's Variety Store**

Morton Flash - O - Gas
Butane, Propane, and Conversion
Tommy Lynch

Lindsey Feed & Seed
at the Sign of the Checkerboard

Woolam Implement Co.
Your CASE Implement Dealer

Gardner-Ross
Your IH Dealer

Wallace Theatres
Burnie Haley, Mgr.

**Great Plains Natural Gas
Co., Inc.**

Producers Warehouse, Inc.
Fred Payne, Mgr.

**Roy Weekes Insurance Agency
& Dorthea's Beauty Salon**

Mrs. Otha Denny
Tax Assessor - Collector

Burleson Paint & Supply
featuring Cook's paints

**Child's Men's Store
& Minnie's Shop**

**Morton Spraying and
Fertilizing Co., Inc.**
West of the Square on the Portales Hi-way

M. C. Ledbetter

**Morton Tribune
& Dollar Day Special**

Morton Recreation Club
Owned and Operated by Geo. Auld & Don Lamar

Kate's Kitchen
One Block East of the Signal Light

Bolton Furniture and Appliance
Authorized Philco Dealer

Enos Welding Shop
Mr. and Mrs. Herman Enos

Steak House Cafe
Southeast Corner of the Square

Baker Feed, Seed, & Fertilizer
Mr. and Mrs. J. J. Baker

Ramsey Shoe Shop
Quality Shoe Repair

Evans-Investment Co.
Lloyd Evans

Jay's Garage
Mr. and Mrs. Jay Studdard

SouthWest Furniture
Northwest Corner of Square

Derwood's Texaco Service Sta.
Mr. and Mrs. Derwood McClintock

Kelly's Spraying Service
Sam Kelly

Cochran Elec. Serv. & Supply Co.
East of the REA Office

Margie's Beauty Shop
Mr. and Mrs. Leo Holland

Allsup-Reynolds Chevrolet Co.
Home of the Corvair

Highlights and Sidellants State CAPITOL

By Vern Sanford

AUSTIN — How much income does an older person need to live decently during retirement years? Governor's Statewide Advisory Committee on Aging sought to discover this and other information in a survey on the needs and problems of Texas' older citizens.

For a couple, 43 percent of Texas' counties estimated the minimum need at \$1,500 to \$2,000 a year. Thirty-five percent set the minimum at \$2,000 to \$2,500.

For a single elderly person, 58 percent of the counties suggested \$1,000 to \$1,500 as a minimum annual income. Twenty-four percent named a higher figure, \$1,500 to \$2,000.

Some 4,000 persons took part in the grass roots, county by county survey. Recommendations growing out of their findings will be discussed at a conference in Austin on September 7 and 8. Out of this will come the Texas contribution to the White House Conference on Aging next January. SURPRISE! — Amid all the upped budget requests they have received lately, state officials were happily stunned when University of Texas officials asked approval to spend a comparatively picaresque sum for a president's home.

en serving free meals under circumstances not authorized by law reported State Auditor C. H. Cavness.

During the past two years, said Cavness, the school has served 3,325 free meals. Most were for pre-school age deaf and blind children and their parents here for special summer courses for parents.

School is authorized by the State Board of Education to hold the summer courses, Cavness observed, but it is not directed either by law or the board to serve free meals to participants.

Cavness' audit showed the school has an average of 503 pupils at a cost of \$192 a month per pupil.

CREDIT CARD LIQUOR SALES — Diners Club, Inc., won a court order allowing it to continue — at least temporarily — collecting for package liquor store purchases made with a credit card.

An Austin district court granted a temporary injunction halting enforcement of the Texas Liquor Control Board order prohibiting such sales.

Liquor Board contends that by becoming the collection agent for liquor store purchases, the Diners Club is, in effect, selling liquor without a license.

Diners Club says it simply buys up the accounts of its card holders from the liquor dealers and takes responsibility for collecting. Club has contracts with package stores in nine Texas cities.

SHORT SNORTS — Texas Highway Commission has announced a policy of using only materials manufactured in the United States for construction of roads and bridges in the state's highway system. Policy is to be re-considered if shortages or sharp price increases develop in U. S. made materials.

County courts are completely bogged down by the appeals from traffic cases, said Garrison.

HIGHWAY LEASE PROSPECTS DIM — Chances of the state's earning money by leasing mineral rights along state roadways are not encouraging a legislative committee found.

Committee learned from a national survey that only two oil and gas producing states get income from leasing along highway rights of way. One reported earnings of less than \$100; one of \$5,763.

An Attorney General's opinion recently held that the state owned mineral rights along the roadways.

But State Highway Engineer D. C. Greer reported there's not much demand for highway leases.

SCHOOL "HOSPITALITY" HIT — Texas School for the Deaf has be-

- BOLTS (All Sizes)
 - WRENCHES
 - Ball Bearing Sand FIGHTERS
 - Ball Bearing Disk GO-DEVILS
 - STALK CUTTERS
 - BED KNIVES
 - SWEEPS
 - LISTER POINTS
 - KNIVES
 - ROTARY HOES
- ENOS**
Welding Shop
401 North Main
Phone 2194 MORTON

WESTERN ABSTRACT CO.

Mr. and Mrs. W. M. Butler, Jr.

REAL ESTATE - OIL PROPERTIES

FEDERAL LAND BANK LOANS

Phone 2206 or 3151

Title Insurance

Eastside Square

Morton, Texas

EXTRA SPECIAL

TRAILER

Tires and Wheels

BUY NOW BEFORE the RUSH!

AUGUST TIRE SPECIALS

(Not Seconds, Not Blemishes)

WHILE THEY LAST (Auto Tires)

WHITE WALL 6.70 x 15 NYLON **1375**

(plus tax and exchange)

WHITE WALL 7.10 x 15 NYLON **1525**

(plus tax and exchange)

BLACK, TUBELESS 7.50 x 14 NYLON **1295**

(plus tax and exchange)

WHITE WALL, TUBELESS 7.50 x 14 NYLON **1525**

(plus tax and exchange)

LUPER TIRE SERVICE

Guaranteed Vulcanizing, Repair and Service

114 East Washington

Phone 3211

Morton, Texas

EDITORIAL

Success — Depends on All of Us!

Rodeo's just don't occur, they must be produced.

To produce one takes a lot of consideration and attention to detail; a lot of patience and understanding; a lot of anticipating and know how.

And what, after all these things are accomplished, do you have? What good does a rodeo accomplish? How important is a rodeo?

To some people, a rodeo is just like any other sporting endeavor. It's an event that you either like or don't like. It's a gathering of horse lovers; conducted for and by, and dedicated to horse lovers.

But, especially in the case of Morton, we think a rodeo is a lot more than that. A rodeo is about the only annual event held in Morton in which we have the opportunity to extend area folks a welcome hand, and to exhibit to them the progress of our city.

Once we had a fair, but it died for lack of workers. Football games, baseball games, basketball games, etc., offer only the fleeting interests of a few. Flower shows, teas, weddings and showers are one performance affairs that seldom draw much interest from out of town.

Once we had a minstrel show, but the Lions club, like the rest of us, grew weary of the attention to details and it also died for a lack of workers.

But basically, the rodeo is the only annual event we have left that draws out of town folks. A great many people who don't even like rodeos gather for that event because they know they'll see a lot of folks there they haven't seen in a long time . . . maybe since the last rodeo.

Is it important that offer such an event to bring area folks to Morton? We think so. A community cannot live isolated in a world by itself. We need outside contacts. We sorely need others beside the rodeo.

The rodeo is not a money making project in itself, but we think it helps a great deal in the overall economic progress of our community.

The individual can take it or leave it. He can attend the rodeo or pass it up. He can take part in the whoopla or plan to be out of town and not be bothered with it. But the fact remains that through the events of the rodeo . . . a parade, a dinner, the sessions of the rodeo themselves, and even the dances that follow, a lot of folks derive a lot of pleasure. There is something there to suit nearly every taste.

Entering into the spirit of the occasion allows everyone who does not have a regular vacation, a day or so of getting off the beaten track and away from monotony of routine events. It serves a purpose much akin to a vacation.

And with the support we have had in the past, our rodeos will continue; but only as long as the people of this community continue to put out effort to have a good show.

It's up to you, the people of Morton. Our community shall be known for the things by which it is identified to other communities. Would that we could be able to settle our internal squabbles, such as hospital difficulties; school tax issues; etc., by ourselves, without the outlying communities aware of them. But this is not so. And since we must suffer the consequences of folks in neighboring towns knowing of our difficulties, lets make a special effort to make them also keenly aware of our hospitality . . . keenly aware of the good things about this community which we fondly call home.

WILL PREACH AT ODESSA, SUNDAY

Harold Drennan, song director at the First Baptist Church, Morton, will preach Sunday, August 14, at the morning and evening services at the Second Baptist Church, Odessa.

Rev. Richard Philpot, pastor of the Odessa church, will be conducting a meeting at Welch.

Rev. Philpot, a friend of Drennan's from Baylor days, has spoken on two occasions in Morton. He has addressed a Morton senior class banquet and commencement exercises.

VISITS DAUGHTER

Mrs. Edna Grizzle and grandchildren of Crosbyton visited her daughter Mrs. Bill Jackson and family Sunday.

TO OKLAHOMA

Henry Turney left Monday to go to Muskogee, and Stigler, Oklahoma to visit his sister and brothers.

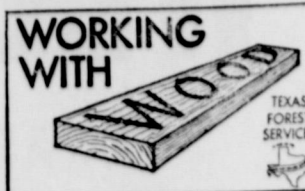
VISITS MOTHER

Mr. and Mrs. Bruce Daniel of Salt Flat visited Mrs. Daniel's mother, Mrs. Allie Reeves from last Thursday until Sunday.



VISITS IN MORTON

Mr. and Mrs. Oscar Cloud of Visalia, Calif. visited with Mr. Cloud's sister, Mrs. J. J. Watts and Mrs. Willie Rose and family from Thursday till Monday.



TEXAS

TIMBER TOPICS

LUMBER STAIN DISCOLORATION

Lumber grading rules generally degrade a piece of lumber if it has stain. This is done to protect the consumer, since the higher grades of lumber are often used with transparent finishes. Stained lumber, coated with a transparent finish, reveals the stain discolor through the finish. This is often objectional.

If lumber is to be painted, the use of stained lumber is no problem. Such lumber is equivalent in strength to clearlumber and can be employed for similar uses.

There are numerous kinds of stains possible in and on wood of both hardwood and softwood species. However, all stains result either from chemical action or by the attack of fungi. The fungi do not cause decay. However, their presence indicates that a condition suitable for decay fungi also exists. Consequently stain may provide a visual warning.

Chemical stain is usually restricted to the surface layers of sapwood. It is brought about by the oxidation of organic compounds in the wood during hot, humid weather. These superficial stains often can be removed by planing the lumber. Prevention may be accomplished by dipping the freshly cut lumber in an anti-stain solution.

Sap stain, or blue stain, as it is most generally known, is probably the most widely known lumber stain caused by fungi. Lumber manufacturer utilize special drying equipment and certain stain control solutions to produce stain-free lumber. Kiln drying also protects the lumber against both stain and decay fungi, and dries it to a suitable condition for use.



MONUMENTS

- BRONZE MARKERS
 - STONES IN ALL COLORS
 - SAMMY LEVERETT SINGLETON FUNERAL HOME
- MORTON, TEXAS

MORTON TRIBUNE



"TEXAS' LAST FRONTIER" OFFICIAL NEWSPAPER OF COCHRAN COUNTY Published Every Thursday Morning at 106 North Main Street, Morton, Texas

MAX DALEY — BILL GLASSFORD — E. H. IRWIN Owners and Publishers

Second Class Postage Paid at Morton, Texas

BILL GLASSFORD MANAGER
E. H. IRWIN EDITOR

Subscription Rates — In Cochran County and adjoining counties: Per year, \$3.50; six months, \$2.00; three months, \$1.25. Outside Cochran County: Per year, \$4.50; six months, \$2.50; three months, \$1.75. To insure proper service, subscribers will please notify us promptly of change of address.

Any erroneous statement reflecting on the character, reputation, or the standing of any person, firm or corporation, will be corrected upon the same being brought to our attention by written statement of fact.

National Advertising Representative
WEEKLY NEWSPAPER REPRESENTATIVES, INC.
NEW YORK • CHICAGO • DETROIT

Proposed CONSTITUTIONAL AMENDMENT

NUMBER ONE ON THE BALLOT

PROPOSED CONSTITUTIONAL AMENDMENT TO BE VOTED ON AT AN ELECTION TO BE HELD ON NOVEMBER 8, 1960.

SENATE JOINT RESOLUTION NO. 20 proposing an amendment to the Constitution of the State of Texas by adding thereto new Sections 49-b, 49-c, 49-d, and 49-e, and to provide that the Legislature may authorize the creation of Hospital Districts co-extensive with Lamar County, Hidalgo County, and County Commissioners Precinct No. 4 of Comanche County, having certain powers and duties and subject to certain limitations; providing that any enabling law shall not be invalid because of its antiquity character; providing for an election, prescribing the form of ballot and providing for the necessary proclamation and publication.

BE IT RESOLVED BY THE LEGISLATURE OF THE STATE OF TEXAS:

Section 1. That Article IX of the Constitution of the State of Texas be and the same is hereby amended by adding thereto the following Sections, which shall read as follows:

"Section 49-b. The Legislature may by law authorize the creation of a Hospital District co-extensive with Lamar County, Hidalgo County, and County Commissioners Precinct No. 4 of Comanche County, except that the maximum rate of tax that the said Lamar County Hospital District may be authorized to levy shall be seventy-five cents (75¢) per One Hundred Dollar (\$100) valuation of taxable property within the District, subject to district taxation.

"Section 49-c. The Legislature may by law authorize the creation of a Hospital District co-extensive with Hidalgo County, having the powers and duties and with the limitations presently provided in Article IX, Section 49-b, of the Constitution of Texas, as it applies to Hidalgo County, except that the maximum rate of tax that the said Hidalgo County Hospital District may be authorized to levy shall be one dollar (\$1.00) valuation of taxable property within the District subject to district taxation.

"Section 49-d. The Legislature may by law authorize the creation of a Hospital District co-extensive with Lamar and Hidalgo Counties, and County Commissioners Precinct No. 4 of Comanche County, having the powers and duties and with the limitations presently provided in Article IX, Section 49-b, of the Constitution of Texas, as it applies to Lamar and Hidalgo Counties, except that the maximum rate of tax that the said Lamar and Hidalgo Counties Hospital District may be authorized to levy shall be one dollar (\$1.00) valuation of taxable property within the District subject to district taxation.

"Section 49-e. The Legislature may by law authorize the creation of a Hospital District co-extensive with Lamar and Hidalgo Counties, and County Commissioners Precinct No. 4 of Comanche County, having the powers and duties and with the limitations presently provided in Article IX, Section 49-b, of the Constitution of Texas, as it applies to Lamar and Hidalgo Counties, and County Commissioners Precinct No. 4 of Comanche County, except that the maximum rate of tax that the said Lamar and Hidalgo Counties Hospital District may be authorized to levy shall be one dollar (\$1.00) valuation of taxable property within the District subject to district taxation.

"Section 49-f. The Legislature may by law authorize the creation of a Hospital District co-extensive with Lamar and Hidalgo Counties, and County Commissioners Precinct No. 4 of Comanche County, having the powers and duties and with the limitations presently provided in Article IX, Section 49-b, of the Constitution of Texas, as it applies to Lamar and Hidalgo Counties, and County Commissioners Precinct No. 4 of Comanche County, except that the maximum rate of tax that the said Lamar and Hidalgo Counties Hospital District may be authorized to levy shall be one dollar (\$1.00) valuation of taxable property within the District subject to district taxation.

"Section 49-g. The Legislature may by law authorize the creation of a Hospital District co-extensive with Lamar and Hidalgo Counties, and County Commissioners Precinct No. 4 of Comanche County, having the powers and duties and with the limitations presently provided in Article IX, Section 49-b, of the Constitution of Texas, as it applies to Lamar and Hidalgo Counties, and County Commissioners Precinct No. 4 of Comanche County, except that the maximum rate of tax that the said Lamar and Hidalgo Counties Hospital District may be authorized to levy shall be one dollar (\$1.00) valuation of taxable property within the District subject to district taxation.

"Section 49-h. The Legislature may by law authorize the creation of a Hospital District co-extensive with Lamar and Hidalgo Counties, and County Commissioners Precinct No. 4 of Comanche County, having the powers and duties and with the limitations presently provided in Article IX, Section 49-b, of the Constitution of Texas, as it applies to Lamar and Hidalgo Counties, and County Commissioners Precinct No. 4 of Comanche County, except that the maximum rate of tax that the said Lamar and Hidalgo Counties Hospital District may be authorized to levy shall be one dollar (\$1.00) valuation of taxable property within the District subject to district taxation.

"Section 49-i. The Legislature may by law authorize the creation of a Hospital District co-extensive with Lamar and Hidalgo Counties, and County Commissioners Precinct No. 4 of Comanche County, having the powers and duties and with the limitations presently provided in Article IX, Section 49-b, of the Constitution of Texas, as it applies to Lamar and Hidalgo Counties, and County Commissioners Precinct No. 4 of Comanche County, except that the maximum rate of tax that the said Lamar and Hidalgo Counties Hospital District may be authorized to levy shall be one dollar (\$1.00) valuation of taxable property within the District subject to district taxation.

"Section 49-j. The Legislature may by law authorize the creation of a Hospital District co-extensive with Lamar and Hidalgo Counties, and County Commissioners Precinct No. 4 of Comanche County, having the powers and duties and with the limitations presently provided in Article IX, Section 49-b, of the Constitution of Texas, as it applies to Lamar and Hidalgo Counties, and County Commissioners Precinct No. 4 of Comanche County, except that the maximum rate of tax that the said Lamar and Hidalgo Counties Hospital District may be authorized to levy shall be one dollar (\$1.00) valuation of taxable property within the District subject to district taxation.

"Section 49-k. The Legislature may by law authorize the creation of a Hospital District co-extensive with Lamar and Hidalgo Counties, and County Commissioners Precinct No. 4 of Comanche County, having the powers and duties and with the limitations presently provided in Article IX, Section 49-b, of the Constitution of Texas, as it applies to Lamar and Hidalgo Counties, and County Commissioners Precinct No. 4 of Comanche County, except that the maximum rate of tax that the said Lamar and Hidalgo Counties Hospital District may be authorized to levy shall be one dollar (\$1.00) valuation of taxable property within the District subject to district taxation.

"Section 49-l. The Legislature may by law authorize the creation of a Hospital District co-extensive with Lamar and Hidalgo Counties, and County Commissioners Precinct No. 4 of Comanche County, having the powers and duties and with the limitations presently provided in Article IX, Section 49-b, of the Constitution of Texas, as it applies to Lamar and Hidalgo Counties, and County Commissioners Precinct No. 4 of Comanche County, except that the maximum rate of tax that the said Lamar and Hidalgo Counties Hospital District may be authorized to levy shall be one dollar (\$1.00) valuation of taxable property within the District subject to district taxation.

"Section 49-m. The Legislature may by law authorize the creation of a Hospital District co-extensive with Lamar and Hidalgo Counties, and County Commissioners Precinct No. 4 of Comanche County, having the powers and duties and with the limitations presently provided in Article IX, Section 49-b, of the Constitution of Texas, as it applies to Lamar and Hidalgo Counties, and County Commissioners Precinct No. 4 of Comanche County, except that the maximum rate of tax that the said Lamar and Hidalgo Counties Hospital District may be authorized to levy shall be one dollar (\$1.00) valuation of taxable property within the District subject to district taxation.

"Section 49-n. The Legislature may by law authorize the creation of a Hospital District co-extensive with Lamar and Hidalgo Counties, and County Commissioners Precinct No. 4 of Comanche County, having the powers and duties and with the limitations presently provided in Article IX, Section 49-b, of the Constitution of Texas, as it applies to Lamar and Hidalgo Counties, and County Commissioners Precinct No. 4 of Comanche County, except that the maximum rate of tax that the said Lamar and Hidalgo Counties Hospital District may be authorized to levy shall be one dollar (\$1.00) valuation of taxable property within the District subject to district taxation.

"Section 49-o. The Legislature may by law authorize the creation of a Hospital District co-extensive with Lamar and Hidalgo Counties, and County Commissioners Precinct No. 4 of Comanche County, having the powers and duties and with the limitations presently provided in Article IX, Section 49-b, of the Constitution of Texas, as it applies to Lamar and Hidalgo Counties, and County Commissioners Precinct No. 4 of Comanche County, except that the maximum rate of tax that the said Lamar and Hidalgo Counties Hospital District may be authorized to levy shall be one dollar (\$1.00) valuation of taxable property within the District subject to district taxation.

"Section 49-p. The Legislature may by law authorize the creation of a Hospital District co-extensive with Lamar and Hidalgo Counties, and County Commissioners Precinct No. 4 of Comanche County, having the powers and duties and with the limitations presently provided in Article IX, Section 49-b, of the Constitution of Texas, as it applies to Lamar and Hidalgo Counties, and County Commissioners Precinct No. 4 of Comanche County, except that the maximum rate of tax that the said Lamar and Hidalgo Counties Hospital District may be authorized to levy shall be one dollar (\$1.00) valuation of taxable property within the District subject to district taxation.

"Section 49-q. The Legislature may by law authorize the creation of a Hospital District co-extensive with Lamar and Hidalgo Counties, and County Commissioners Precinct No. 4 of Comanche County, having the powers and duties and with the limitations presently provided in Article IX, Section 49-b, of the Constitution of Texas, as it applies to Lamar and Hidalgo Counties, and County Commissioners Precinct No. 4 of Comanche County, except that the maximum rate of tax that the said Lamar and Hidalgo Counties Hospital District may be authorized to levy shall be one dollar (\$1.00) valuation of taxable property within the District subject to district taxation.

"Section 49-r. The Legislature may by law authorize the creation of a Hospital District co-extensive with Lamar and Hidalgo Counties, and County Commissioners Precinct No. 4 of Comanche County, having the powers and duties and with the limitations presently provided in Article IX, Section 49-b, of the Constitution of Texas, as it applies to Lamar and Hidalgo Counties, and County Commissioners Precinct No. 4 of Comanche County, except that the maximum rate of tax that the said Lamar and Hidalgo Counties Hospital District may be authorized to levy shall be one dollar (\$1.00) valuation of taxable property within the District subject to district taxation.

"Section 49-s. The Legislature may by law authorize the creation of a Hospital District co-extensive with Lamar and Hidalgo Counties, and County Commissioners Precinct No. 4 of Comanche County, having the powers and duties and with the limitations presently provided in Article IX, Section 49-b, of the Constitution of Texas, as it applies to Lamar and Hidalgo Counties, and County Commissioners Precinct No. 4 of Comanche County, except that the maximum rate of tax that the said Lamar and Hidalgo Counties Hospital District may be authorized to levy shall be one dollar (\$1.00) valuation of taxable property within the District subject to district taxation.

"Section 49-t. The Legislature may by law authorize the creation of a Hospital District co-extensive with Lamar and Hidalgo Counties, and County Commissioners Precinct No. 4 of Comanche County, having the powers and duties and with the limitations presently provided in Article IX, Section 49-b, of the Constitution of Texas, as it applies to Lamar and Hidalgo Counties, and County Commissioners Precinct No. 4 of Comanche County, except that the maximum rate of tax that the said Lamar and Hidalgo Counties Hospital District may be authorized to levy shall be one dollar (\$1.00) valuation of taxable property within the District subject to district taxation.

"Section 49-u. The Legislature may by law authorize the creation of a Hospital District co-extensive with Lamar and Hidalgo Counties, and County Commissioners Precinct No. 4 of Comanche County, having the powers and duties and with the limitations presently provided in Article IX, Section 49-b, of the Constitution of Texas, as it applies to Lamar and Hidalgo Counties, and County Commissioners Precinct No. 4 of Comanche County, except that the maximum rate of tax that the said Lamar and Hidalgo Counties Hospital District may be authorized to levy shall be one dollar (\$1.00) valuation of taxable property within the District subject to district taxation.

"Section 49-v. The Legislature may by law authorize the creation of a Hospital District co-extensive with Lamar and Hidalgo Counties, and County Commissioners Precinct No. 4 of Comanche County, having the powers and duties and with the limitations presently provided in Article IX, Section 49-b, of the Constitution of Texas, as it applies to Lamar and Hidalgo Counties, and County Commissioners Precinct No. 4 of Comanche County, except that the maximum rate of tax that the said Lamar and Hidalgo Counties Hospital District may be authorized to levy shall be one dollar (\$1.00) valuation of taxable property within the District subject to district taxation.

"Section 49-w. The Legislature may by law authorize the creation of a Hospital District co-extensive with Lamar and Hidalgo Counties, and County Commissioners Precinct No. 4 of Comanche County, having the powers and duties and with the limitations presently provided in Article IX, Section 49-b, of the Constitution of Texas, as it applies to Lamar and Hidalgo Counties, and County Commissioners Precinct No. 4 of Comanche County, except that the maximum rate of tax that the said Lamar and Hidalgo Counties Hospital District may be authorized to levy shall be one dollar (\$1.00) valuation of taxable property within the District subject to district taxation.

"Section 49-x. The Legislature may by law authorize the creation of a Hospital District co-extensive with Lamar and Hidalgo Counties, and County Commissioners Precinct No. 4 of Comanche County, having the powers and duties and with the limitations presently provided in Article IX, Section 49-b, of the Constitution of Texas, as it applies to Lamar and Hidalgo Counties, and County Commissioners Precinct No. 4 of Comanche County, except that the maximum rate of tax that the said Lamar and Hidalgo Counties Hospital District may be authorized to levy shall be one dollar (\$1.00) valuation of taxable property within the District subject to district taxation.

"Section 49-y. The Legislature may by law authorize the creation of a Hospital District co-extensive with Lamar and Hidalgo Counties, and County Commissioners Precinct No. 4 of Comanche County, having the powers and duties and with the limitations presently provided in Article IX, Section 49-b, of the Constitution of Texas, as it applies to Lamar and Hidalgo Counties, and County Commissioners Precinct No. 4 of Comanche County, except that the maximum rate of tax that the said Lamar and Hidalgo Counties Hospital District may be authorized to levy shall be one dollar (\$1.00) valuation of taxable property within the District subject to district taxation.

WOULD-BE RODEO QUEENS



RUBY DANIEL
Cobb's Department Store



ZADA SNODGRASS
Storage Inc.

RETURN FROM OKLAHOMA

Mr. and Mrs. Herman Enos of Morton returned home Sunday from a week visit with relatives in Ft. Worth and Waurika, Okla., visiting with their parents, Mr. and Mrs. Mike Enos and Mr. Emma Nix.

On the way back home they visited with friends in Henrietta.

VISIT SONS IN MORTON

Mr. and Mrs. Mike Enos of Waurika, Okla., and son Mr. and Mrs. Monroe Enos of Sulphur, Okla., visited with their sons, Mr. and Mrs. Herman Enos and Mr. and Mrs. Mike Enos, Jr., and a daughter, Mrs. Fstrel Taylor, all of Morton, Sunday.



LAQUITA SUE MASTEN
Ideal Gift Shop

With Your ... COUNTY AGENT

By Homer E. Thompson

CONTROL HOUSEHOLD INSECTS

Warm weather brings insects of all kinds. Flies, ants, mosquitos, moths and other insects endanger health, feed on fabrics, contaminate food and are a general nuisance.

Use up to date control measures to fight these insects. A leaflet compiled by extension entomologists of Texas A & M College offers directions for choosing and applying insecticides.

This handy leaflet, "Texas Guide For Controlling Household Insects," classifies all major pests except the termite into specific categories relating to type of damage. Insects are illustrated for easy identification, and concise control measures are given for each insect.

Copies of the "Texas Guide for Controlling Household Insects" are available from your county extension agent's office.

SOURCE OF STOCK FISH IMPORTANT

Would a farmer sow a field of oats and then deliberately sow crabgrass in the same field? Of course not — this would be very poor management.

Many farmers do, however, save their farm pond properly stocked, and then add fish from another pond, from a river or from the minnow bucket. This is also poor management, but Ed Cooper, extension wildlife specialist, says this practice is one of the main reasons why many

farm ponds are worthless for fishing.

Cooper says that fish obtained from sources other than hatcheries usually contain undesirable species such as shad, carp, suckers, gar, mud cat, etc. These undesirable species will compete with the game fish for food, they will muddy the pond water, and all will be a general nuisance to the fisherman.

Another erroneous practice is to add grown fish to a freshly stocked pond. Cooper continues. This is usually done so that the owner can "catch some big fish while the small ones are growing up". The owner must remember that the grown fish have to eat, and in all probability they will eat the hatchery fingerlings. With this situation, it won't be very long before the farmer has no fish, large or small, in his pond. I would suggest you permit the Fish and Game Commission to make your selection of choices as to the fish to stock in a tank or farm pond.

MACHINERY CARE AND SAFETY

Too many accidents are happening locally. Let's stop being careless.

Safety around farm machinery and the care that machines deserve go hand-in-hand. Every practice recommended in the way of caring for your machines is based on your well being.

Here are some rules that apply first to good safety and second to

good machinery care.

1. Reduce speed and increase care to avoid holes and ditches; when turning; on rough ground or hillsides.
2. Engage the clutch gently, especially when pulling uphill, out of ditches or extra heavy loads.
3. Always keep tractor in gear when going down steep grades.
4. Correctly couple implements and loads every time you hitch up.
5. Make sure the machinery is clean, adjusted and well oiled every time you use it.

These are just a few "double meaning" rules that help to insure longer, more productive life for both you and your machinery. Follow them all the time. You will never be sorry.

TIME TO SAMPLE FOR FALL CROPS

Fall planting time is not too far away, and plans should be made now. Fertilizers and lime cost money, and guesswork on how much to apply is not very efficient farming.

The farmer must remember that soil samples are of very little value unless they truly represent the actual soil conditions of the field. Soil samples may be taken in several different ways, but anyone taking a sample must remember a few basic requirements and these include:

Take one sample from each uniform area in the field.

A representative sample may be obtained by taking a slice of soil 4 to 5 inches deep, and repeating this at 15 or 20 different places over the field.

Spade, soil auger, soil probe or garden trowel may be used to take a sample.

All of the small portions from a single field should be mixed and a composite sample taken and placed in a soil carton.

All blanks on the soil carton and information sheet should be filled out completely.

Samples should be taken early enough to insure plenty of time for testing. Soil cartons, information sheets, mailing instructions and additional information may be obtained from the local county agent.

Joint Co-operative Meeting Set at Lubbock, Aug. 18

Local cooperative members will be among the one thousand or more farmers and their families expected to attend the August 18 joint annual meeting of the three regional cooperative with headquarters in Lubbock.

The three cooperatives are Plains Cooperative Oil Mill, Farmers Cooperative Compress, and Plains Cotton Cooperative Association.

The meeting will be held under a big tent pitched on the mill lawn. It will be called to order at 1 a. m. by Howard Alford, Lubbock County farmer and president of two of the organizations, the compress and the Marketing Association.

Headlining the fast moving program will be Walter C. Berger, administrator of the Commodity Stabilization Service and Homer Smith, president of the Central Bank for Cooperatives, both of Washington, D. C.

Lubbock's mayor, David Casey, will welcome the visitors and Wilmer Smith of New Home, president of the mill, will respond. A barbecue lunch will be served at noon. In the afternoon, each of the three regional cooperatives will hold its business session, reviewing financial statements and hearing reports of its officers.

Some 10,000 Plains cotton farmers grouped around 80 cooperative gins own and use the cooperative mill, compress, and marketing association. Through their chosen directors they control these businesses, each of which has maintained a healthy growth, it was reported. The mill is completing its 24th year, the compress its 12th year and the marketing Association has operated seven years.

The three regional associations are refunding \$2,300,000 to their stockholders and patrons as a result of the year's operations. This increases the purchasing power of 10,000 Plains farm families.

JIM MIDDLETON IS NAMED MORTON ELEMENTARY PRINCIPAL

Morton Schools have a new Elementary Principal, after what the new administrator described as "the shortest retirement on record."

Jim Middleton has been named Elementary Principal of the schools, and has accepted the post.

The position was offered to Middleton, who retired a couple of months ago, by Supt. Barnes, and the veteran local ex-coach, teacher, and administrator, accepted.

The appointment was made official when the School Board of Trustees, at its Tuesday meeting voted unanimously to offer Jim a contract.

Middleton has previously served as an administrator, and at one

time was a principal in the Morton School System. He received his administrator's certificate prior to 1955, and therefore was not required to have a master's degree.

Supt. John Barnes said definitely that Middleton is very well qualified for the position and the school is most happy to have him serving in that capacity.

County Sing Set for Sunday

The regular county-wide Sunday afternoon singing will begin Sunday at 2 p. m. at the First Assembly of God Church, Morton. All gospel singers are invited to attend. The singing will continue until 4 p. m.

SOME FUN!



"SOMEBODY PUT GUM ON THAT STOOL!"

SAFETY AT THE SHORE

by CAROL LAINE
WOMEN'S TRAVEL DIRECTOR
SHELL OIL COMPANY

WILL YOUR NEXT TOURETTE TAKE YOU TO A LAKE OR THE SHORE? HERE ARE TIPS FOR A SAFE AND PLEASANT SEASON.

AT BEACHES SWIM ONLY IN "LIFE-GUARDED" AREAS AT ONLY LAKES, SWIM "BUDDY SYSTEM". IF YOU GET TIRED WHEN SWIMMING, DON'T PANIC. ROLL OVER AND FLGAT, WHEN RESTED HEAD FOR SHORE, STAY OUT OF THE WATER FOR AN HOUR AFTER EATING.

FOR A NEW TREAT TRY SNORKELING - BUT GET GOOD DIRECTIONS FIRST.

WHEN WATER BOILING, ALWAYS HAVE TWO PEOPLE IN THE BOAT. ONE STEERS; THE OTHER WATCHES THE SKIER. KEEP AWAY FROM SWIMMERS.

PLAY IT SAFE AND ENJOY YOUR SEASON AT THE SHORE!

© COPYRIGHT 1960 SHELL OIL COMPANY Carol Laine FM

Home Demonstration Agent

By Leila Petty

DISTRICT DRESS REVUE

Lois Courtney was in the white ribbon group at the district Dress Revue at Lubbock, July 29. There were 14 entries in the revue and they were judged on construction, record books, posture and poise and the way the garment looked on the girl.

Junior girls were judged on posture and poise, grooming and how the garment looked on the girl. There were 17 girls in the junior group, Laquita Masten was among the blue ribbon winners.

A luncheon preceded the public revue with about 190 persons attending. The luncheon was held in the Student Union Building, Texas Tech, and was sponsored by the Plains Coop Mill.

Senior girls had escorts at the revue. Earl Cox, Morton, was escort for Lois Courtney.

Patricia Mitchell, Lamb County, was announced as recipient of the \$500 scholarship given by the Home Demonstration Clubs of District 2. She is to attend Texas Tech and major in Home Economics.

4-H ELECTRIC CAMP

The 4-H Electric Camp held last week was quite an event. Scott Able, 4-H Camp west of Weed and near Clouderoft, New Mexico, was the camp site. Three chartered buses and several cars took 150 or more 4-H Club boys and girls, adult leaders and Extension Agents to camp. The Cochran County delegation boarded the buses at Plains.

Floyd, Hale, Gaines, Lynn, Cochran, Yoakum, Hockley, Dawson, Terry, Lubbock and Swisher counties were represented at the camp which was in session from August 1 to August 5.

The Southwestern Public Service Company provided all the expenses of the camp except transportation and craft.

The four study groups were on different phases of electricity. Campers assembled a soldering gun in the craft sessions.

Sports were enjoyed in free time during the day. Planned recreation of folk games or quiet (?) games were enjoyed after supper. An extended hike, which ended with a cook-out, was part of Thursday's program.

The flag lowering ceremony Wednesday afternoon was in charge of the Cochran County delegates. Andy T. Wilson was leader. Others participating were Laquita Masten, Kay King, Earl Cox, David Tarver, Mike Hale, Ray O'Brien, Lois Courtney, Colens Hinson and Homer Thompson.

A general meeting on 4-H Electric records was led by the Home Demonstration and County Agricultural Agents from Cochran and Yoakum Counties. Marsha White, Yoakum County, and Lois Courtney assisted with the presentation.

All who attended the camp were impressed by the friendliness of the 4-Her's the good food, the cold at night which made the fire in the big fire place a popular place, night and morning, the excellent study groups, fun at the night parties, and most of all by the wonderful hospitality of the Southwestern Public Service Company for providing the camp. Ghulam Z. Shaikh and Khan Ahmad Khan from Pakistan also attended camp as did the other six extension workers from that country who are in this district.

H. D. PICNIC

The annual Home Demonstration Club family night picnic was held at the County Park Saturday evening. The supper was spread together and there was mutual enjoyment of food and fellowship.

The group listened with interest to reports from the two visitors from Pakistan, Mr. Shaikh and Mr. Khan. The geographic and economic conditions of East and West Pakistan, the Moslem religion, and the status of women were explained by the visitors.

Other special guests were Judge and Mrs. Glenn Thompson, and County Agricultural Agent and Mrs. Homer Thompson. About thirty adults and children were present.

MAKE PICKLES NOW

Don't wait until the end of the season to make your relishes and quick process pickles. Make some bread and butter pickles while the quality of the cucumbers and onions are good.

BREAD AND BUTTER PICKLES

- 25 large cucumbers
 - 12 onions (white - medium)
 - 1/2 cup salt
 - 1 pint vinegar
 - 2 cups sugar
 - 2 tablespoons white mustard seed
 - 2 tablespoons ginger
 - 2 tablespoons turmeric powder
- Soak unpeeled cucumbers in water overnight. Slice cucumbers and onions and place in pan with the salt (no water). Let stand one hour, then rinse off salt, add vinegar, sugar, mustard seed, ginger and turmeric powder. Boil all ingredients until peel turns yellow (about 40 minutes). Pack pickles solid in sterilized jars. Seal and allow to stand 10 days before using.

Announcing . . .
the purchase of Merritt Butane
By
FLASH-O-GAS
With NEW OFFICES OPENING in September at the Merritt plant north of Morton on the Enochs Highway
PROVIDING AREA FARMERS with . . .
— BUTANE — PROPANE — OILS
and the same friendly service

It was 20 years ago that Flash-O-Gas came to Morton. Our storage tanks and offices were built outside the residential area, but Morton grew, and now, as a safety measure, we are moving our offices and storage tanks north of Morton to the location occupied by Merritt Butane. We hope to complete this move next month.

Also, we are happy to announce the association with our firm of Fred Kelly who has been with Merritt Butane, and delivering fuels in this area for the past 17 years. The welcome sign is always out at FLASH-O-GAS . . .

CONNIE CLEVINGER, delivery
WILEY HODGE, delivery
FRED KELLY, delivery

THOMAS LYNCH, service
TOMMY LYNCH, manager

Thanking you . . .
. . . for eight years of wonderful patronage . . . and extending you a cordial invitation to continue your butane and propane purchases from Flash-O-Gas, Morton . . .
We will continue to offer you a complete line of Mobil gasolines, oils, and lubricants, and Ward's tires and batteries . . .

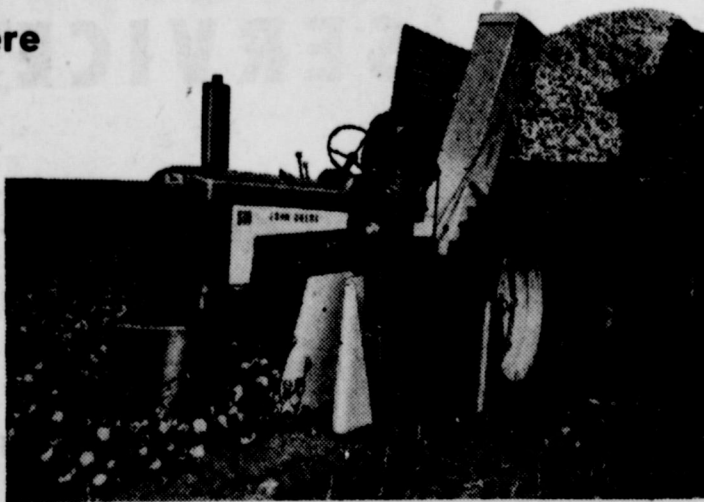
MERRITT GAS COMPANY
MORTON, TEXAS

NOW on DISPLAY

The new John Deere

77

Stripper



One LOOK at it will Convince YOU that the "77" STRIPPER will be "Second to None"

- SPEEDS UP TO 6 MPH in HEAVY IRRIGATED COTTON
- SAVE MORE COTTON with LESS TRASH
- NEW AUGER and PADDLE SYSTEM
- OPEN ROD GRATES, Drop TRASH ON GROUND
- SEALED BEARINGS ELIMINATE GREASING
- EASY TO MOUNT

McALISTER—HUGGINS
MORTON, TEXAS



See Us For JOHN DEERE QUALITY FARM EQUIPMENT

READ THE WANT ADS! USE THE WANT ADS!

Business Services

TYPEWRITER and ADDING MACHINE SERVICE & REPAIR
SELL or TRADE NEW and OLD Ed Summers
MORTON TRIBUNE

NEED OF COMMERCIAL PRINTING? Call 2361. Morton Tribune, for letterheads, statements, envelopes, business cards, handbills and other needs. 11-tfc

Contact Charlie Phillips for free estimates on tile fences, barbed wire pits. Phone 6261. 36-tfc

FEEDERS GRAIN, INC.
 Daily buyers for Cattle Feeders Federal Storage License 3-4451 We Can Use Your Grain Have Semi-Lit. Location **SUDAN LIVESTOCK AND FEEDING COMPANY** Phone 5321 Sudan, Texas

Keep your carpets beautiful despite constant footsteps of a busy family. Get Blue Lustre. Bracken Furniture and Appliance, Morton. 25-1tc

Farm Services

DEEP PLOWING and GRUBBING — Diamond Packer pull if desired. Melvin Coffman, 206 Hays Ave., Phone 6236, Morton. 50-tfc

BARGAINS — Bearings and Seals for all machines. Bedwell Imp. Co., Minneapolis - Moline Dealer, Morton, Texas. 21-tfc

Real Estate

FOR SALE — Three houses to be moved. Mrs. Cora King Baker, Dairy Inn. 17-tfc

FOR SALE — Seven room house with small acreage, cash or terms. Mrs. R. D. Butts, phone 2186. 10-tfc

For Rent Furnished

APTS FOR RENT — furnished. A. Baker, Phone 407L. 42-tfc

FOR RENT — Furnished 2 rooms and bath. Page Trailer Courts. 15-tfc

FOR RENT — Nice Bedroom with kitchen privileges. Mrs. N. H. Lovelace. Phone 3691 after 6 p. m. 25-tfc

For Rent Furnished

FOR RENT — Furnished garage apartment with place for car. Call 2261 or 328L. 24-tfc

FOR RENT — To permanent tenant, two room modern furnished apartment. Phone 5051, Morton. T. W. Roberts. 25-tfc

FOR RENT — Small furnished cottage. Newly redecorated, suitable for one or two adults, phone 4586. 25-3tc

FOR RENT — Furnished apartment and bedroom. Mrs. D. T. Smith, Phone 3891. 25-tfc

For Rent Unfurnished

FOR RENT — Small, clean four room house, unfurnished. Phone 4006 or Albert Morrow at 2081. 12-tfc

FOR RENT — Four room and bath unfurnished house. Mrs. S. A. Ramsey. 24-tfc

For Sale

FOR SALE — Frigidaire air conditioner, two speed, ventilate and circulate type, good as new, used one Summer, 12,000 BTU. \$125.00. Roy Hickman. 22-tfc

FOR SALE — Registered Duroc and Hampshire gilts, bred sows, boars. Raymond L. Lewis. 3-tfc

SALE price on aluminum pipe. Will finance if preferred. Bedwell Imp Co. 37-tfc

For Sale

Exide Batteries. Buy the best for less. Fully Guaranteed at Bedwell Imp. 24-tfc

FOR SALE — Ford tractor with knife attachment, planter and ditcher blade. Chevrolet irrigation motor on butane. Cheap. Lee Stewart. Phone 5391 or 2361. 52-tfc

FOR SALE — 80 acres farm land in Cochran County. Phone 3961, Whiteface. 22-tfc

FOR SALE — 7½ H P. boat motor and piggy gilts Melvin Yarbrough. 23-2tc

FOR SALE — Camp trailer. Original price \$532.50, will sell for half phone 4586. 25-3tc

FOR SALE — Refrigerator, \$20. Mrs. D. T. Smith. 25-tfc

For Sale or Trade

FOR SALE or TRADE — Four room furnished house. G. E. Worley, phone 2476 or 3656. 24-4tc

FOR SALE or TRADE — 14 ft. boat, 25 H. P. Johnson electric motor and trailer. S. A. Stokes 5 miles north of Morton. 25-tfc

Lost and Found

LOST or MISPLACED — Will the party who last used the SCD seeder please return it. It is urgently needed by the department. Thank you. Cochran SCD. 25-tfc

Rodeo Queen ?



IMOGENE BETTS
 Herb's Gulf Service

Help Wanted

WANTED — Lady to baby sit in my home. Phone 2961. 25-tfc

Legal Notices

Legal No. 209
CONTRACTORS' NOTICE OF TEXAS HIGHWAY CONSTRUCTION

Sealed proposals for constructing 15,500 miles of Grading, Structures, Base and Surfacing, From New Mexico State Line To 3.5 Mi. W. of Lehman From Blodsoe W

To New Mexico State Line on Highway No. FM 769 & 2182, covered by C 967-2-5 & R 2615-1-1 in Cochran County, will be received at the Highway Department, Austin, until 9:00 A. M., August 17, 1960, and then publicly opened and read.

Plans and specifications including minimum wage rates as provided by Law are available at the office of H. E. DeShazo, Resident Engineer, Lubbock, Texas, and Texas Highway Department, Austin. Usual rights reserved. 24-2tc

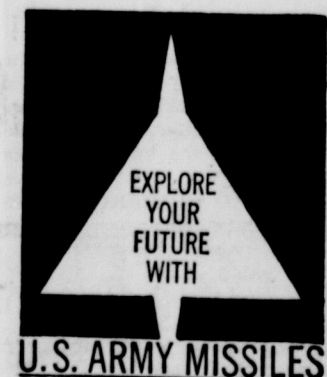
Legal No. 210
NOTICE OF HEARING ON COUNTY BUDGET THE STATE OF TEXAS) COUNTY OF COCHRAN)

Notice is hereby given that the Commission's Court of Cochran County, Texas will meet on Monday, August 29, 1960, at 10:00 A. M., in the Commissioners Court Room at the Courthouse in Morton, Texas, for the purpose of considering the County Budget for the year 1961.

Any and all taxpayers of Cochran County shall have the right to be present and participate in said hearing and the Commissioners Court shall have the authority to make such changes in the proposed budget as in their judgment the law warrants and the interests of the taxpayers demand. The proposed budget is now on file in the County Clerk's office and may be inspected by any and all interested taxpayers prior to August 29.

This 4th day of August, 1960.
 Glenn W. Thompson
 County Judge
 Cochran County, Texas 25-3tc

The border draw, according to cowboys, is a cross draw made with the gun carried at or near the hip, but hanging butt forward. A quick stab of the hand across the body reaches the gun, and the continuation of the movement lifts it clear of the holster. It is called this because of its popularity with men in the vicinity of the Mexican border.



LIFE, HAIL and HOSPITALIZATION INSURANCE
Real Estate LOANS
ROBERT C. CROSS
 Phone Office 2521 Home 6391 Box 813 MORTON

Express Appreciation for Welcome Extended to Chat and Chew Opening

"Your welcome exceeded our every expectation," was the way Carl and Mr. and Mrs. Wendell McInroe described the way in which area folks turned out for the "grand opening" of the Chat and Chew here last Friday.

Hadley Kern of west of Morton was the winner of the \$10 meal gift certificate.

The all new cafe, located east on the Whiteface highway, is owned by the two brothers, Carl and Wendell McInroe. Wendell Mc-

HEARS MEMBER OF BILLY GRAHAM TEAM

Mrs. Burlie Taylor, daughter of Mr. and Mrs. S. A. Ramsey of Morton, wrote this week she had heard T. W. Wilson, a member of the Billy Graham team preach at her church, the Bel Aire Baptist Church, Houston. She said she stressed the importance of the danger of Communism, and emphasized the "Communist threat" to take over this nation by 1971.

MORTON VISITOR

Leonard Cowden of Amarillo, area manager of the U. S. Saving Bonds Division, was in Morton Wednesday in the interest of Saving Bonds sales. W. W. Williamson is chairman of the Cochran County division.

VISITS IN MORTON

Miss Linda Fay Ray of Brownfield visited Sunday with her grandfather, W. B. Ray of Morton.

The CHAT and CHEW says . . .

THANK YOU

We at the Chat and Chew wish to express our sincere appreciation for the wonderful reception given our "Grand Opening" last week.

We enjoyed meeting with each of you, and are looking forward to becoming better acquainted.

We greatly appreciate the beautiful flowers sent to us by Morton Merchants and other Friends.

And to you who were not able to attend our opening . . . please accept this as a personal invitation to visit with us soon.

CARL and WENDELL McINROE

P. S. Mr. Hadley Kern was the lucky winner of the \$10 meal gift certificate.

SUNDAY DINNER will be served in the dining room, family style, \$1.35 for adults, children under six, \$1.00

The CHAT and CHEW

Phone 5601 for Reservations in our Private Dining Room
 MORTON — East on the Whiteface Highway — LEVELLAND

YOU'RE INVITED TO ATTEND

REVIVAL SERVICES

MONDAY, August 15

through

SUNDAY, August 21

SERVICES DAILY

10 A.M. and 8 P.M.

HEAR

Rev. JOHN MULLINS, Evangelist
 Pastor Fifth Street Baptist Church, Levelland



Rev. John Mullins

FIRST MISSIONARY BAPTIST CHURCH

Rev. AUSTIN STEADMAN, Pastor
 MAIN and TAYLOR MORTON, TEXAS

TELEVISION TIME



WE'RE READY

for YOUR WORK . . .

- AUTOMOTIVE
- AUTO AIR CONDITIONING
- TRANSMISSIONS
- MOTOR TUNE-UPS

and

All other types of Mechanical Work, Auto, Pick-up, Truck

We've more help and we're ready to give you fast, reliable, service

HAWKINS OLDSMOBILE CO.

111 East Washington Morton

KEEP POSTED LOCALLY

— Read the MORTON TRIBUNE

Only 3.50 per year in Cochran and adjoining Counties; elsewhere, 4.50; 10c per copy.

MORTON TRIBUNE
 BOX 545,
 MORTON, TEXAS

Enter my subscription to the TRIBUNE, enclosed find 3.50 (or 4.50).

(Name) _____

(Address) _____

WASHINGTON AND "SMALL BUSINESS" BY C. WILSON HARDER

On several occasions the nation's independent businessmen, voting through the National Federation of Independent Business, have asked for more protective tariff protection for American industry and labor.

Biggest opposition usually comes from the U.S. State Dept. which the past few years seems to engage in all manners of activities.

One of the principal features of these activities has been guiding C. W. Harder the huge foreign give away programs which have made it possible for any nation so inclined to have the most modern mass production equipment largely paid for by the American taxpayer. That's now called state-manship.

With foreign competitors so well equipped to produce, it is interesting to see what the odds now are against the American producer since protective tariffs have been so drastically cut. For example, take the case of the American textile manufacturer.

His Japanese competitor pays the help 16 cents per hour, the Italian competition 27 cents per hour, French 51 cents, German 46 cents, English 68 cents, while he pays \$1.58 per hour.

Or take the situation of an American auto maker, who has no plants in foreign lands.

His Japanese competitor pays 26 cents per hour, the Italian 36 cents per hour, the French 54 cents per hour, the German 59 cents, the English 94 cents, while he pays \$2.69 per hour.

Or consider the American manufacturer of chemicals.

His Japanese competitor provides the help with about 37 cents per hour, the Italian pays 37 cents, the Frenchman 49 cents, the German 57 cents and the English 68 cents. But the American pays \$2.44 per hour.

The American glass plant has a tough situation, too.

His competitors pay the help as follows: Japanese 26 cents per hour, Italian 36 cents, French 47 cents, German 55 cents, English 70 cents, and the American manufacturer pays \$2.22 per hour.

When it comes to steel, the American producer faces even more a hurdle.

His Japanese competitor keeps the help reasonably happy with 41 cents per hour, the Italian with 46 cents, the French with 53 cents, the German 59 cents, the English 83 cents.

The American producer has a difficult time keeping his employees reasonably satisfied with \$3.10 per hour.

And the differentials are even more pronounced when there is added in all the fringe benefits that the American producer must pay, ranging from social security payments, to in some cases, a fully paid holiday for each employee on his or her birthday.

Without adequate tariff protection, U. S. producers cannot compete in the home market, with such odds against them.

Even the famed and legendary Man of War never won the Kentucky Derby carrying a 300 pound jockey.

© National Federation of Independent Business

DISTRICT COMMITTEEMAN TELLS OF REPUBLICAN CONVENTION HI-LITES

Bill Klattenhoff, Republican District Committeeman, stopped by in Morton this week bringing the first word of mouth report from the convention which concluded in Chicago recently.

Bill reported the convention went off very smoothly and that party members were generally happy with the candidates selected and the platform. However, he did describe strong efforts on the part of Texas Republicans to oppose two issues.

State Chairman Thad Hutcheson led the fight against the re-writing of the civil rights plank on the platform, and in doing so, the Texas Delegation voted to re-lease themselves of their state instructions to support Nixon and Goldwater. In the ensuing events-most of the delegation, including Klattenhoff supported Nixon as a matter of obligation to the state party that sent them to Chicago, though observing they favored the originally written civil rights plank.

The highlights of the convention to Klattenhoff was the spontaneous ovation given to former president Herbert Hoover, and also a personal handshake with Nixon. Also, Klattenhoff said Bruce Alger led a Texas Republican fight against inclusion of federal aid to education on the party platform. The Texans came back with ma-

ny interesting viewpoints which will be discussed at length later. But one in particular was with a definite belief that Barry Goldwater, who in essence assumed leadership of the right wing of the national party, came out of the convention with the strongest increase of stature in the party.

news from MEMORIAL HOSPITAL

MEDICAL (Dismissed)
Mrs. Roy Hill, Morton Jimmie Ruth Stokes, Morton W. J. Wood, Morton Becky Gail Wood, Morton Braulio Feuntes, Morton Mary Ann Marqucho, Maple Scotty Gilliam, Morton E. R. Barker, Sherman

SURGERY (Remaining)
Mrs. Roy Hill, Morton Albert Bihl, Bledsoe

SURGERY (Dismissed)
Mrs. D. W. Wheeler, Levelland

ACCIDENT (Dismissed)
John Perrin, Morton Lenore White, Morton

NEWS and HAPPENINGS — FROM the ENOCHS - BULA AREA

By Mrs. Jerome Cash
MOVE BACK TO HOUSTON
Mr. and Mrs. Jim Davis moved back to Houston this week. Their son, Kenneth came to Enochs after them. We all regret losing them but wish them luck in their new home.

VACATION IN COLORADO
Mrs. Grace Vanlandingham vacationed in Colorado last week with her daughter and family, Mr. and Mrs. Jim Becker of Levelland.

SUNDAY SCHOOL PARTY
Mrs. J. W. Layton, Mrs. Buford Peterson, Mrs. W. A. Pool, and Mrs. E. N. McCall all attended a T. E. L. Sunday School class party at the home of Mrs. J. J. Brackman, Aug. 5.

Bible quiz games were played. Lemon pie, ice tea, mints and nuts were served. Jewellene assisted her mother as hostess.

VISIT IN IRVING
Mr. and Mrs. Carroll Pearson and family visited last weekend in Irving, Texas with Mr. Pearson's brother and family and a sister and family, who were visiting there from California.

FROM DUMAS
Mr. and Mrs. Garland Beard of Dumas spent Wednesday night and Thursday morning of last week in the home of J. J. Brack-

man, Jewellene returned home with them to spend a week.

FROM CALIFORNIA
Mr. and Mrs. Monk Sanders and family of Santa Barbara, Calif., have been visiting his brother and family, Mr. and Mrs. Guy Sanders and his parents, Mr. and Mrs. Dick Sanders of Morton.

ATTEND BROTHERHOOD
Nine men from the Enochs Baptist Church attended the Brotherhood Meeting at Amherst, Tuesday night, Aug. 2.

VISIT PARENTS
Mr. and Mrs. Robert George and son Brent, visited over the weekend with her parents, the E. N. McCall's.

VISIT PEARSONS
Mrs. Bobby Don Henderson and children visited recently with her parents, the Carroll Pearsons.

VISITORS IN GIBSON HOME
Visitors in the Roland Gibson home last weekend were Mr. and Mrs. John Klingler and children of San Antonio, Mr. and Mrs. Weldon Taylor and daughter, of Lubbock. Also Mrs. Alice Harry of Lubbock and Mr. and Mrs. Jimmy Grobaugh and son of Oklahoma.

VISITS MOTHER
Myrlene Nichols of Lubbock spent the weekend with her mother

ent the weekend with her mother Mrs. Flora Nichols and family.

VISIT POOLS
Visiting in the W. A. Pool home on Saturday was Mr. and Mrs. E. C. Clark of Junction City, Kansas. The Clarks also visited in Lubbock with her grandmother, Mrs. Lillian Everitt.

HONORED WITH HOUSEWARMING
Mrs. Arnold Archer was honored with a housewarming Monday afternoon. Several of her friends called and all enjoyed going through her new home. She received many nice gifts.

LUBBOCK'S HILLCREST COURSE HOST TO TEXAS PGA GOLF TOURNEY

LUBBOCK — Frank Baker, Hillcrest Country Club golf pro, will act as host to an estimated 100 professional golfers from all over Texas August 15 - 21, at golfdom's greatest local attraction - the 40th Annual Texas PGA Golf Tournament.

Baker, his able assistant Dale Newman, and Hillcrest green's keeper, Horace Boyd, have gone overboard in making the 6,902 yard, 36 - 36 par 72 layout one of the finest golf courses available in Texas for the guest pro - most of whom will be comparing the course with their own, back home. Boyd a meticulous individual, has been virtually manicuring the lush greens at Hillcrest in preparation for the meet until they would do justice to any course found anywhere in the United States. Boyd favors - and uses - Seaside Bent Grass greens, and he is extremely careful that they are neither too hard nor too soft. The visiting pros will find the greens much to their liking, with those crisp iron shots, for which they are famed, holding fast - inches from where they hit.

Boyd has also used a great amount of time and energy on the fairways which will be soft enough to give the pros a good divot, but hard enough too, to allow them a decent roll on tee shots.

Silent testimony to the condition of the course may be seen by the course record, a blazing nine under par 63, fixed only last month by Hillcrest member Ross Mitchell. The competitive record is 64 strokes fired by Houston pro Jackson Bradley in tournament play back in 1957.

The course, while in superb condition, will be no softy for anyone. Toughest hole on the layout is the par 5 number 6 hole, affect-

Those present were Mmes. Leon Keasler, Ray Seagler, Bob Adams, A. P. Fred, A. D. Holland, Don Richardson, J. D. Bayless, R. P. McCall, Burley Roberts, Jerome Cash, Mrs. Brashear and Kay of Maple, Mrs. Thomas of McCammy and the hostess. Cookies, nuts and punch were served.

REVIVAL CLOSURES
The Methodist Meeting closed Sunday night. It was reported to be a good meeting with a good attendance. Bro. C. C. Dorn of Trent, did the preaching.

RODEO QUEEN HOPEFULS



SUE TURNER

Virginia's Beauty Shop



MARVELENE HOFFMAN

Morton Co-op Gin

be purchased in advance at the Hillcrest pro shop - either in person or by mail.

ATTEND AWARD DINNER
The Flash-O-Gas Company employees, Mr. and Mrs. Tommy Lynch, Mr. and Mrs. Thomas Lynch, Mr. and Mrs. Connie Cleav-

enger, and Mr. and Mrs. Wiley Hodge, attended the annual Flash-O-Gas Safety Award Dinner which was held on Aug. 9, at McGrath Steak House in Plainview. Also attending was Leonard Cleavenger, manager of the Bula plant.

RESERVATIONS

Now Being Accepted for League PLAY

Watch for our opening in September



Place orders NOW for Team Shirts

FRONTIER LANES

BABE VAN, Manager Phone 5636 MORTON, TEXAS

FRONTIER LANES' OPENING EXPECTED AROUND SEPT. 15TH

Morton's newest recreation venture, a bowling alley, to be named Frontier Lanes, will be ready for occupancy around September 15th if present plans hold out.

Babe Van, proprietor of the new 8-alley project, said this week that the building would be ready for installation of equipment by around the 15th of this month but the equipment wasn't due to arrive until the 20th.

The building itself, located on the Levelland Highway, just east of the city limits, will be large enough to house 12 lanes but in the initial construction, only 8 lanes will be installed.

Van said it would probably be a couple of weeks after the opening of the business before any

leagues could be formed and he anticipated it might be a little longer before the first season of leagues is completely underway.

Reservations are now being accepted for league play at the new alleys, Van said.

A lot of preliminary plans must be made, such as arranging league nights, and hours of league play, determining the amount of interest which will determine the size of the league, etc.

The bowling alleys will feature a complete line of Brunswick Gold Crown equipment including Brunswick Automatic Pinsetters.

Babe Van said those interested in league bowling may contact him at 404 Southwest 7th or call 5636, Morton.

It's RODEO TIME in Morton . . .

and RODEO TIME is "HOT DOG" TIME!



Casts its vote

for —

DOROTHY SMITH for RODEO QUEEN



PARTY PEANUTS FISHER, 14 OZ. CAN 59¢

FREEZING MIX JUNKET box 15¢

CHICKEN OF THE SEA

Tuna 33c

FOOD KING PEACH PRESERVES 18 OZ. GLASS 29¢

IMITATION VANILLA EXTRACT 8 OZ. BOTTLE 19¢

POST POST TENS

CARTON OF TEN carton 39¢

FOLGER'S

6 OZ. GLASS

Instant Coffee 79c



E & R, ALL MEAT

Franks 49c

BACON

CORN KING

lb. 59¢

FRYERS

ALL GRADE 'A'

lb. 35¢

NAPKINS

SOFTLIN

2 pkgs. 25¢

KRAFT'S

QUART

Miracle Whip 49c

LIGHTCRUST Flour 79c

BORDEN'S INSTANT POTATOES box 33¢

IPANA TOOTH PASTE ECONOMY SIZE 49¢

NEW DETERGENT ENERGY giant size 59¢

MODART HAIR SPRAY 1.65 SIZE 98¢

REAL KILL NEW DETERGENT Fly and Mosquito Spray pt. 59¢

HEMET, SPICED

BIG NO. 2 1/2 CAN

Peaches 19c

19c

CUCUMBERS

SLICERS lb. 9¢

APPLES

GREEN lb. 15¢

MORTON, TEXAS

Piggly Wiggly's Pick of the Week Values

DOUBLE S&H GREEN STAMPS on TUESDAY on 2.50 Purchase or More

SEEK RODEO QUEENSHIP



DOROTHY SMITH
Piggly Wiggly



JACQUITA FAYE JONAS
Morton Malt Shop



BARBARA SHAKESPEARE
Ray's Hardware

TRIP TO LAKE BUCHANAN PRODUCES GOOD FISHING RESULTS

Mr. and Mrs. Hugh Dupier and family and Jerry Dan Trice returned this week from a few days fishing trip to Lake Buchanan with good words for would be fishermen.

First of all, they brought back an assortment of pan fry fish in-

cluding bass, croppie, and catfish. And they brought back reports that good fishing is being had at Tow Valley camp, run by Mrs. T. L. Forgey, at Buchanan.

Further good reports were that the weather, contrary to some op-

inions, was rather cool and delightful.

With pictures of the 9 lb. catfish to back up the fishing yarn, and words of greeting from camp owner, known to many folks in this area, they returned to Morton.

PHYSICAL EXAMS SET FOR TOMORROW (FRIDAY)
First 1960 Grid Workout Set For Monday Morning;
Coach Optimistic About Chances for Good Season

The call was sounded this week for the first high school gridiron workouts, for the date setting of the first practice for 7th and 8th grade gridgers, and for the date for physical examinations for members of all the teams.

All boys who will compete in the athletic grid program, from 7th grade through high school, are urged to appear at the field house at 5 p. m. tomorrow night (Friday), August 12th, for physical examinations by Dr. J. Walker Davis.

On Monday, the high school gridgers will gather at the school at 7:30 a. m. for the first 1960 football workouts.

The 7th and 8th graders will not begin their football workouts until August 29th, which is the first day of school.

The physical examinations are a necessary part of the program and every boy who wants to play is urged to make arrangements to get the physical exam at the prescribed time, Friday.

Seven returning senior lettermen and five returning junior lettermen will form the basis of the team to be fielded this year by Coach J. P. Jones and his staff.

The loss of two boys and the ineligibility of another will throw a damper on the possibilities but the coaches are encouraged. DeWayne Miller, who would have been a senior letterman has entered the Air Corps and Earl Cox a very promising newcomer last year has transferred to Whiteface. Butch Tucker, has transferred back to Morton but will not be eligible to compete because

of the fact that he played elsewhere last year.

Senior lettermen returning will include Tootsie Davis, J. R. Wilson, Tommy Morrison, Bob Pyburn, Larry Tanner, Leon Jeffcoat and Jimmy St. Clair. Juniors include Steve Middleton, Dale DeBord, Mike Houston, Johnny Vandeventer and Wilburn Zuber.

Squadmen returning include Bob Nieman, Terry Hans, Lee Oden,

Jimmy Howell and Glen Kuehler. Newcomers include R. E. Thompson, William Cheek, Sammy Edwards, Bill Hansard and Bill Gray.

Last year's Freshmen include Lester Dupier, Gary McDaniel, Mike Holland, Johnny Sanford, Willard Cox, Gary Coon, James Beseda, Don Ray, Jimmy Bl-brey, Jerry Trice, Dickey Walker, Sam Carrace and Gary Tarver.

Cotton Specialists Conduct Meeting
Next Tues., at County Auditorium

An educational meeting on cotton varieties, production, harvesting and ginning will be conducted at the County Auditorium on Tuesday, August 16, at 8:00 p. m. Homer Thompson, county agent announced this week.

Fred Elliot, Cotton Work Specialist and (Mr.) Beverly Reeves, Cotton Ginning and Mechanization Specialist, both of the Texas A & M Extension Service will be on hand to hold discussion. Questions from the floor will be answered.

Slides will also be shown by the guest speakers.

A special discussion will be built around cleaning and recleaning cotton for grade improvement as it affects the total bale value.

Members of the cotton sub committee and leading farmers who can attend are urged to attend a 2:00 p. m. meeting the same day, at the auditorium to dis-

cuss with the two Extension Specialists what subject matter needs to be covered in the night session.

FORMER BLEDSOE
SUPT. VISITS AREA

Mr. and Mrs. J. E. Roane of Loop, (he is former Supt. of Schools at Bledsoe) and their son-in-law and daughters, Mr. and Mrs. C. M. Beckett, Emily and Charles, Jr., of Anahauc and Mr. and Mrs. Kar' Dooly and Lane of Ft. Smith, Ark., are guests this week in the home of another son-in-law and daughter, Mr. and Mrs. Edsel Young of Bledsoe.

Supt. Roane reports a load lifted from his shoulders at Loop with the signing of a complete faculty.

IT NEVER FAILS



STRICKEN ILL
WHILE VISITING

Roy Barker, brother-in-law of W. H. Butler, Jr., of Morton was hospitalized at the Memorial Hospital here Monday night with a kidney stone attack, but his pain was eased during the night, and Barker and wife and two children continued on their way back to their home at Sherman, Tuesday. The family was spending the night with the Butlers after both families returned from a Butler family reunion at Red River, New Mexico, which included 73 persons, over the long weekend, Friday through Sunday.

NORDIS of DALLAS is here!

- Flannel Skirts - Flannel Pants
- Matching Sweaters
- Bulkenett Coat Type Sweaters
- Light Weight Pullover Sweaters

The IDEAL GIFT SHOP

Phone 5851 Morton Northwest Corner of Square



SEND THEM
BACK TO
SCHOOL

LOOKING
SHARP
in their



DRY CLEANED
CLOTHES

You can be sure clothes will look new again because our Sanitone Dry Cleaning thoroughly cleanses and reconditions fabrics. Minor mending is free, too. But don't take a chance on being ready for that big first day... let us have those school clothes NOW!

STRICKLANDS

"We Appreciate Your Business"
220 West Washington, Morton, Texas - Phone 3771

Drive Carefully, kids don't always think!

COMING

AUG. 11-12-13

TEXAS' LAST FRONTIER RODEO

MORTON, TEXAS

Two Area Explorer Scouts Attending Camp in New Mexico

Two area youth are attending an explorer expedition to Philmont Scout Ranch in New Mexico this week.

Attending are Gene Autry of Bala and Roger Jones of Enochs. Both are members of Post No. 176. Jimmy Lumus, council chairman of camping and activities committee, reports that this expedition will run for twelve days and the group arrived in Philmont on August 1.

The expedition will conclude on August 13.

All the various outdoor skills, cooking, hiking, camping, tent pitching, swimming, fishing, and others, will be carried out by this group on the expedition. They will have a certain route to follow over the 127,000 acre Scout Ranch, and in some very rugged, but beautiful country. The broad shouldered traditions, the best of the old west horseback riding, burro packing, wilderness survival are combined in the expedition into an unbeatable receipt for fast moving fun and he-man outdooring.

Also, there is plenty of wild game to be seen - deer, elk, coyote, antelope, mountain lion, buffalo, wild turkey, bear, to name some, in the hills and canyons of Philmont, plus plenty of bird life and fish life in the streams.

It has been said, that boys go to Philmont as boys, but return as men, seasoned in the skills of living in the great outdoors.

Investment Club Meets Next Week

The regularly monthly meeting of the C & I Investment Club has been postponed until next Thursday night, it was announced by Club President, Van Greene.

The postponement was because most members of the club will be involved, one way or another, with tonight's opening performance of the rodeo.

The meeting is to be held next Thursday night, at 8 p. m., at the Western Abstract building on the east side of the square.

Broke Leg In Vacation Mishap

Debbie Smith, 7 year old daughter of Mr. and Mrs. Elmo Smith, sustained a broken leg during her vacation two weeks ago. Debbie fell while playing on the slide at Lake Tejas, near Beaumont. She lost her balance and toppled off the slide after just starting down the slide. She fell into shallow water and broke the right leg just below the knee. It will be in a cast for two months.

The Smith family returned on August 5th after continuing on to Houston and Galveston to complete the vacation.

To Let Highway Paving Contract

The State Highway Department will let a contract in Austin, August 17th (next Wednesday) for paving of the Bledsoe road leading west to the New Mexico State Line, County Judge Glenn Thompson was advised last week.

The contract will call for widening and resurfacing the road from a point a few miles west of Lehman (where the paving project last spring ended) to the New Mexico state line to be in conjunction with a paved road from Milnesand, N. M.

County Commissioners spent considerable time working up this project recently.

Dr. ELWYN E. CRUME
OPTOMETRIST
Located on Northwest Corner of the Square
WEDNESDAYS from 10 A.M. to 6 P.M.
Phone 5851 Morton

SOIL CONSERVATION DISTRICT NEWS



OUR SOIL ★ OUR STRENGTH

The use of winter Cover Crops is one of the most practical ways of controlling wind erosion in the Cochran Soil Conservation District.

During the late summer and early fall producers will be seeding rye, vetch, other small grains, winter legumes and applying cotton burrs in cotton middles and sorghum stubble to help hold the soil in place.

Wind erosion not only moves soil particles about, but first removes the light soil nutrients, i. e., organic material along with Nitrogen, phosphorus and potassium. Through use of cover crops, these elements will be protected from erosion by being held in place.

Consider the soil protection and improvement that cover crops will afford on your operations next year. "Fertility you save this Winter will be available for cash crop production next Summer."

Your Soil Conservation District has drills and front end mounted broadcast seeders for seeding your cover crop.

Plan now for your Farmstead Windbreak. Order trees this fall to plants during late winter. A cover crop on your fields and a farmstead windbreak will decrease the blowing conditions at your home.

Study of City Dwellers Buying Farms Reveal Interesting Modern Trends

What is happening in the purchase of farm and ranch lands by city dwellers in Texas has been amply demonstrated in a study made not long ago in Dallas.

It is figured that more than 25,000 Dallas County families now own farm and ranch lands adding up to some 3,000,000 acres, and most of this acreage is located outside of Dallas County. The holdings include wheat farms in the Panhandle, irrigated cotton fields out on the South Plains and elsewhere in West Texas, citrus groves in the Rio Grande Valley, pastures and grazing land in all sections of the state.

The vast majority of these landowners are week-end farmers and ranchers, maintaining their homes in Dallas and its suburbs where they make their living. Real estate dealers agree that the growing systems of super-highways and excellent roads out of Dallas have brought about definite changes in the demands of these city dwelling farmers and ranchers.

It used to be that a radius of about 40 miles outside the city limits of Dallas was as far as these buyers wanted to go to maintain their rural retreats. But the vast development of the highways system has changed all this. The circle has been greatly expanded moving out to a 100 mile radius and now spreading out still further to 150 and 200 miles.

One Dallas real estate dealer reported that out of 321 farm and ranch sales he has completed since 1951, all except three of the buyers lived in Dallas. All but one of the farms and ranches he sold

were located outside the boundaries of Dallas County.

Aside from the facts reported on week-end farming and ranching, the same survey brought out that agribusiness is one of the most vital concerns of the metropolitan existence of Dallas. It was found that 86,000 individuals in Dallas County in the county - earned their livings either directly or indirectly from agribusiness. Their earnings amounted to \$410,000,000 in the year under study, with food processing alone accounting for 11,000 workers.

With agriculture turning more and more to machinery and technology in the new decade of the sixties, it can be expected that the flow of agribusiness into Dallas - as well as into other major centers of Texas - will continue to grow and expand.

Serving Aboard Anti-Submarine Aircraft Carrier

Quonset Point R. I. (FHTNC) Roy N. Talley, machinist's mate third class, USN, brother of Mrs. Fred Payne of Morton, is serving aboard the anti-submarine warfare aircraft carrier USS Lake Champlain operating out of Quonset Point, R. I.

The carrier is engaged in anti-submarine exercises along the eastern coast of the United States and Canada during this summer and is scheduled to visit Halifax Nova Scotia and New York City.

January 1960 Figures Show... Social Security Benefits in County Averaging Over \$15,008 Per Month

Sunday, August 14th is the 25th Anniversary of the Social Security Act. Just 25 years ago, Congress enacted the law which has since been amended and broadened several times.

At the end of 1959, as Federal social security was starting its twenty-fifth year, old-age, survivors, and disability insurance monthly benefits were being paid in Cochran County to 286 persons at the rate of \$15,008 a month according to John G. Hutton, manager of the Lubbock Social Security District Office. "This is an increase in number of beneficiaries of about 11 percent since February 1959, the last previous date for which Cochran County figures are available," he said.

Nationally, about 13 3/4 million persons were receiving old-age, survivors, and disability insurance monthly benefits at the end of 1959 at an annual rate of more than \$10 billion. At the close of 1940 - the first year in which monthly benefits were payable - beneficiaries throughout the Nation totaled 200,000. Almost half a million disabled - worker beneficiaries and their dependents receiving benefits at a yearly rate of over \$400 million are included in the figures for 1959.

The number of wives, husbands, and children of disabled - worker beneficiaries receiving monthly benefits increased sharply in 1959. Such benefits were first payable for September 1958. Nationally, from February to December, 1959, the number of these beneficiaries more than doubled - from 60,000 to 126,000.

Payments to a retired worker with no dependents receiving benefits averaged \$69 a month nationally at the end of last December; to a retired couple, both of whom were receiving benefits, the

average payment was \$121. The average for a widow with two young children was \$169.

By contrast, Mr. Hutton recalled that when benefits first became payable in 1940, the average monthly payment to a retired worker with no dependents receiving benefits was \$22, and to a retired couple the average payment was \$36.

As social security celebrates its Silver Anniversary (the original Act was signed into law on August 14, 1935) about 74 million working people are in covered employment or self employment in the course of a year. They are building old age, survivors, and disability protection for themselves, their dependents, and their survivors under the social security law.

For the entire state of Texas, old-age, survivors, and disability insurance payments at the end of December, 1959, were being paid to 540,833 beneficiaries at the end of December, 1959, were being paid to 540,833 beneficiaries at the rate of more than \$350,000,000 per year.

Blackwood Bros. To Appear At Lubbock, Sunday

Sunday afternoon, August 14, the Blackwood Bros., The Oak Ridge Quartet, and The Inspirationalists, will appear at the Lubbock City Auditorium, it was announced this week.

Advance tickets are on sale at the usual places in Lubbock. Adult tickets are \$1.50 for the lower floor, \$1.25 in the balcony and children's tickets are 50c.

Hi-Plains Hi-Lights

NEWS from the High Plains Research Foundation

Results Of Flamed Cultivation To Be Reviewed

Flame Cultivation research results to date will be viewed by Propane and Butane dealers and their guests at the High Plains Research Foundation on August 24, starting at 2 p. m. E. F. Powell, President of the Texas Butane Dealers, Ft. Stockton, and Wm. J. Lawson, Executive Secretary, Austin, set the date of the tour at a meeting of representatives of the Association at Plainview and Halfway on July 29.

During the Field Day, weed elimination results to date by means of flaming will be inspected at the Foundation. Crops included the research underway are cotton grain sorghum, soybeans, corn and castor beans. Reports will be made on the results of weed elimination by flaming onions and potatoes. Final results for the year will be reported after the tests are harvested.

Directors and members of the Association meeting with officers to make arrangements for the special day on August 24 were: J. L. Weathers, immediate past president, Petersburg; Homer Johnson, Levelland; Harry Garretson, Hale Center; Lyle Blanton, Herford and Jack Perry, Wolforth.

Plainview hosts were Bill Taylor, Gene Bumpus Co.; Neal Williams, Sinclair Dealer, Bill Gotcher and Staff, Gotcher Mfg. Co. of Plainview and Clarksdale, Mississippi.

Members of the Foundation staff at the meeting and tour were: Dr. T. C. Longnecker, Director; Dr. Earl H. Collister, Chief Agronomist and Dale Price, Agricultural Engineer.



Get it at your FAVORITE GROCERY MARKET

62 Families Included

289 Persons Listed On August Surplus Commodities Report

The most recent report on the Commodity Distribution program in Cochran County shows a total of 62 families on the list, according to County Judge Glenn Thompson.

one are children (117 under 17 years of age).

The report in addition showed 21 persons in the county receiving old age assistance; three children

included Aid to Dependent Children program and one person receiving a pension under the Totally and Permanently Disabled program.

FOR ELECTRIC SERVICE

COCHRAN ELECTRIC SERVICE and SUPPLY Co.

313 WEST WILSON Phone 3296 NEXT DOOR TO REA MORTON JIM FULLER
DONNIE SIMPSON
- We stock Motors, Switchboxes, Fuses, Coils, etc.
- General Electrical Work - Motor Rewinding
- Commercial Wiring - Trouble Shooting - Maintenance

FREE KODAK FILM

FOR FAST DEVELOPING SERVICE

on COLOR PRINTS and BLACK and WHITE

Leave your exposed film at

ST CLAIR VARIETY

Westside Square

Morton

ONE FREE ROLL KODAK FILM

with Each order for Developing BLACK and WHITE

OR KODACOLOR FILM with Jumbo Prints

You Receive ONE FREE ROLL of Kodak Film with Each and Every Order

Contact us for ALL KINDS of Color or Black and White Photo Finishing

See the Chevy Mystery Show in color Sundays, NBC-TV.

THE BUYING'S BETTER THAN EVER ON THE YEAR'S BEST SELLING CAR

CHEVROLET

Things are going great at your Chevrolet dealer's right now, what with Chevy (and Corvair) sales skyrocketing to new all-time highs. So you couldn't have chosen a better time to talk deal with him. You've got a wide

range of models to pick from, quick delivery of your favorite to look forward to and, best of all, big savings to pocket. Get together with your dealer first chance you get. Can't start saving till you do!



Impala Sport Sedan with luxurious new Body by Fisher

CHEVY'S CORVAIR... THE BEST SELLER'S AWARD-WINNING CAR!



Corvair 700 4-Door Sedan with a practically flat floor that's just right for feet

Corvair's engineering came in for the first raves when the editors of Motor Trend magazine unanimously selected it Car of the Year. And then to top it off, the Industrial Designers Institute awarded Corvair (through General Motors Vice President William L. Mitchell and his Styling Staff) a gold medal for styling excellence. But even these honors, impressive as they are, can't compare with the enthusiastic reception Corvair is receiving from people like you. A short visit with your dealer will show you why. For economical transportation

See Chevrolet cars, Chevy's Corvairs and Corvette at your local authorized Chevrolet dealer's

ALLSUP - REYNOLDS CHEVROLET CO.

113 EAST WASHINGTON

MORTON

PHONE 3361 or 2311

Available at —
BARTON'S
Shamrock Service
Phone 2196
North on the Enochs Hwy
MORTON



Best timesaver ever—the long distance call

—it's quicker, easier—and means so much more than writing

How many times have you told yourself that you really should sit down and write a letter to your family? And by the time you actually do, days have gone by!

A long distance phone call is easier than writing. It's quicker than writing. And it means so much more than writing.

Best of all, long distance calls cost a lot less than you think. Why not put in your call tonight.



GENERAL TELEPHONE
America's Largest Independent Telephone System

CALL LONG DISTANCE TONIGHT—it costs a lot less than you think

KCBD-TV-Lubbock Channel 11

THURSDAY
 7:00 Today
 9:00 Dough Re Mi
 9:30 Play your hunch
 10:00 Price is right
 10:30 Concentration
 11:00 Truth or Consequences
 11:30 It could be you
 12:00 Burns and Allen
 12:30 Mr. District Attorney
 1:00 Queen for a Day
 1:30 Loretta Young
 2:00 Young Dr. Malone
 2:30 From these roots
 3:00 Comedy Theatre
 3:30 It happened in Brooklyn
 5:30 Science Fiction Theatre
 6:00 News and Weather
 6:15 Huntley - Brinkley report
 6:30 Seahunt
 7:30 Producers Choice
 8:00 Bachelor Father
 8:30 Wrangler
 9:00 Groucho Marx
 9:30 Shotgun Slade
 10:00 Wyatt Earp
 10:30 News, Weather, Sports
 11:00 Jack Parr

FRIDAY
 7:00 Today
 9:00 Dough Re Mi
 9:30 Play your hunch
 10:00 The Price Is Right
 10:30 Concentration
 11:00 Truth or Consequences
 11:30 It could be you
 12:00 Burns and Allen
 12:30 Secret Journal
 1:00 Queen for a day
 1:30 Loretta Young
 2:00 Young Dr. Malone
 2:30 From these roots
 3:00 Comedy Theatre
 3:30 Public Hero No. One
 5:15 Hospitality Time
 5:30 Texas Ranger
 6:00 News - Weather
 6:15 Huntley-Brinkley Report
 6:30 Cimmarron City
 7:30 Wichita Town
 8:00 Jeannie Carson
 8:00 All Star Football
 10:30 News, Weather, Sports
 11:00 Jack Parr Show

SATURDAY
 8:00 Red Ryder
 9:00 Howdy Doodie
 9:30 Ruff and Reddy
 10:00 Fury
 10:30 Circus Boy
 11:00 Trus story
 11:30 Western
 12:25 Giants vs. Braves
 2:30 Chicago - Philadelphia
 5:00 Detective's Diary
 5:30 Lone Ranger
 6:00 News, Weather
 6:15 Here's Howell
 6:30 Bonanza
 7:30 Man and Challenge
 8:00 The Deputy
 8:30 World Wide 60
 9:30 Innocent Years
 10:30 News, Weather, Sports
 11:00 David Copperfield

SUNDAY
 2:30 Showcase
 3:00 The Answer
 3:30 Lassie Come Home
 3:30 Good News
 5:00 Meet the Press
 5:30 Edwin Newman
 6:00 Overland Trail
 7:00 Music on Ice
 8:00 Chevy Show
 9:00 Loretta Young
 9:30 Lock Up
 10:00 Pony Express
 10:30 News, Weather, Sports
 11:00 Journey for Margaret

MONDAY
 7:00 Today
 9:00 Dough Re Mi
 9:30 Play your hunch
 10:00 Price is right
 10:30 Concentration
 11:00 Truth or Consequences
 11:30 It could be you
 12:00 Burns and Allen
 12:30 Secret Journal
 1:00 Queen for a Day
 1:30 Loretta Young
 2:00 Young Dr. Malone
 2:30 From These Roots
 3:00 Comedy Playhouse
 3:00 Shop around the Corner
 4:45 Cartoons and Stooges
 5:15 Hospitality Time
 5:30 African Patrol
 6:00 News and weather
 6:15 Huntley - Brinkley Report
 6:30 Cheyenne
 7:30 Wells Fargo
 8:00 Peter Gunn
 8:30 This Man Dawson
 9:00 Maverick
 10:00 Lawman
 10:30 News, weather, sports
 11:00 Jack Parr

TUESDAY
 7:00 Today
 9:00 Dough Re Mi
 9:30 Play your hunch
 10:00 The Price Is Right
 10:30 Concentration
 11:00 Truth or Consequences
 11:30 It could be you
 12:00 Burns and Allen
 12:30 Mr. District Attorney
 1:00 Queen for a day
 1:30 Loretta Young
 2:00 Young Dr. Malone
 2:30 From these roots
 3:00 Comedy Theatre
 3:30 It's in the air
 4:30 Hospitality Time
 4:45 Cartoons and Stooges
 6:00 News and Weather

8:00 Richard Diamond
 8:30 Rifleman
 9:00 M Squad
 9:30 Donna Reed
 10:00 Real McCoys
 10:30 News Weather, Sports
 11:00 Jack Parr

WEDNESDAY
 7:00 Today
 9:00 Dough Re Mi
 9:30 Play your hunch
 10:00 The Price Is Right
 10:30 Concentration
 11:00 Truth or Consequences
 11:30 It Could Be You
 12:00 Burns and Allen

THURSDAY
 7:00 Network News
 8:00 Richard Hottelet News
 8:15 Captain Kangaroo
 9:00 December Bride
 9:30 Video Village
 10:00 I Love Lucy
 10:30 Clear Horizons
 11:00 Love of Life
 11:30 Club Day
 11:45 Home Fair
 12:00 CBS News
 12:05 Network News
 12:15 Network weather
 12:20 Names in the news
 12:30 As the world turns
 1:00 Full Circle
 1:30 House Party
 2:00 The Millionaire
 2:30 The Verdict Is Yours
 3:00 The Brighter Day
 3:15 The Secret Storm
 3:30 The Edge of Night
 4:00 The life of Riley
 4:30 Cartoon Circus
 5:00 Looney Tunes
 5:30 Huck'eberry Hound
 6:00 News
 6:15 Doug Edwards
 6:30 CBS Reports
 7:00 Playhouse of Stars
 7:30 Johnny Ringo
 8:00 Zane Grey Theatre
 8:30 Markham
 9:00 Adventure Theatre
 9:30 Whirley Birds
 10:00 News
 10:30 Twilight Zone
 11:00 Star Performance
 11:30 Life of Riley

FRIDAY
 7:50 Net Work News
 8:00 Richard Hottelet News
 8:15 Captain Kangaroo
 9:00 December Bride
 9:30 Video Village
 10:00 I Love Lucy
 10:30 Clear Horizons
 11:00 Love of Life
 11:30 Home Fair
 12:00 CBS NEWS
 12:05 Network News
 12:15 Network Weather
 12:20 Career Headlines
 12:30 As the world turns
 1:00 Full Circle
 1:30 Houseparty
 2:00 The Millionaire
 2:30 The verdict is yours
 3:00 The Brighter Day
 3:15 Secret Storm
 3:30 Edge of night
 4:00 The life of Riley
 4:30 Cartoon Circus
 5:00 Looney Tunes
 5:30 Buzs Bunny
 6:00 Network News - Weather
 6:15 Doug Edwards
 6:30 Rawhide
 7:30 Hotel De Paree
 8:30 December Bride
 9:00 Tombstone Territory
 9:30 Person to Person
 10:00 News, Weather
 10:30 Adventures in Paradise
 11:30 Life of Riley

SATURDAY
 7:50 WT TV Network News
 8:00 Captain Kangaroo
 9:00 Heckle and Jeckle
 9:30 Mighty Mouse Playhouse
 10:00 Lone Ranger
 10:30 Saturday News
 11:00 Sky King
 11:30 Popeye
 11:45 Baseball Leadoff
 11:55 Game of the Week
 12:30 Bowling Stars
 3:00 Big Picture
 3:30 Liberate
 4:00 Kingdom of the Sea
 4:30 Farmer Alfalfa
 5:00 Jubilee
 6:00 The Detectives
 6:30 Perry Mason
 7:30 Wanted: Dead or Alive
 8:00 Mr. Lucky
 8:30 Have Gun Will Travel
 9:00 Gunsmoke
 9:30 Alcoa Theatre
 10:00 The Comedy Spot
 10:30 The Alaskans
 11:30 Movie Time

SUNDAY
 10:30 Church of Christ
 11:55 Los Angeles at Cincinnati
 2:30 Kingdom of the Sea
 3:00 This is the life
 3:00 Kingdom of the Sea
 3:30 Walsh Talent Varieties
 4:30 Lawrence Welk
 5:00 Doug Edwards
 5:30 20th Century
 6:00 Lassie
 6:30 Dennis the Menace
 7:00 Ed Sullivan
 8:00 General Electric
 8:30 Alfred Hitchcock
 9:00 Lucy in Connecticut
 9:30 U. S. Marshall
 10:00 Whats my line

MONDAY
 10:30 Final Edition
 10:45 Weather
 10:50 Movetime

TUESDAY
 7:45 Farm Fare
 7:50 WT TV Network News
 8:00 Richard Hottelet News
 8:15 Captain Kangaroo
 9:00 December Bride
 9:30 Video Village
 10:00 I Love Lucy
 10:30 Clear Horizons
 11:00 Love of Life
 11:30 Home Fair
 12:00 CBS NEWS
 12:05 Network News
 12:15 Network Weather
 12:20 Names in the news
 12:30 As the world turns
 1:00 Full Circle
 1:30 Houseparty
 2:00 The Millionaire
 2:30 The Verdict Is Yours
 3:00 The Brighter Day
 3:15 The Secret Storm
 3:30 Edge of Night
 4:00 Life of Riley
 4:30 Beauty school of the air
 4:45 Cartoon circus
 5:00 Looney Tunes
 5:30 Woody Woodpecker
 6:00 News and weather
 6:15 Doug Edwards
 6:30 To tell the truth
 7:00 Peck's Bad Girl
 7:30 Dobbie Gillis
 8:00 Tightrope
 8:30 Four Just Men
 9:00 Diagnosis Unknown
 9:30 Ten o'clock news
 10:00 Wrestling
 10:30 Life of Riley
 12:00 Sign off

WEDNESDAY
 7:45 Farm Fare
 7:50 WT TV Network News
 8:00 Richard Hottelet News
 8:15 Captain Kangaroo
 9:00 December Bride
 9:30 Video Village
 10:00 I Love Lucy
 10:30 Clear Horizons
 11:00 Love of Life
 11:30 Home Fair
 12:00 CBS News
 12:05 Network News
 12:15 Network Weather
 12:20 Names in the News
 12:30 As The World Turns
 1:00 Full Circle
 1:30 House Party
 2:00 The Millionaire
 2:30 The Verdict Is Yours
 3:00 The Brighter Day
 3:15 The Secret Storm
 3:30 Edge of night
 4:00 The Life of Riley
 4:30 Cartoon Circus
 5:00 Looney Tunes
 5:30 Roy Rogers
 6:00 News and weather
 6:15 Doug Edwards
 6:30 Reckoning
 7:30 Men into space
 8:00 The Millionaire
 8:30 I've got a secret
 9:00 Armstrong Theatre
 10:00 News and weather
 10:30 Hawaii Eye
 11:30 Life of Riley

THURSDAY
 7:55 Morning Edition
 8:00 Dough - Re - Mi
 8:30 Play your hunch
 9:00 The price is right
 9:30 Concentration
 10:00 Truth or Consequences

FRIDAY
 7:55 Morning Edition
 8:00 Dough - Re - Mi
 8:30 Play your hunch
 9:00 The price is right
 9:30 Concentration
 10:00 Truth or Consequences

SATURDAY
 7:55 Morning Edition
 8:00 Dough - Re - Mi
 8:30 Play your hunch
 9:00 The price is right
 9:30 Concentration
 10:00 Truth or Consequences

SUNDAY
 7:55 Morning Edition
 8:00 Dough - Re - Mi
 8:30 Play your hunch
 9:00 The price is right
 9:30 Concentration
 10:00 Truth or Consequences

12:30 Secret Journal
 1:00 Queen for a Day
 1:30 Loretta Young Theatre
 2:00 Young Dr. Malone
 2:30 From These Roots
 3:00 Comedy Theatre
 3:30 Barnacle Bill
 5:15 Hospitality Time
 5:30 Casey Jones
 6:00 News and Weather
 6:15 Texaco Report
 6:30 Wagon Train
 7:30 Price is right
 8:00 Happy
 8:30 Tate
 9:00 This is your life
 9:30 77 Sunset Strip
 10:30 News, weather, sports
 11:00 Jack Parr

MONDAY
 7:45 Farm Fare
 7:50 WT TV Network News
 8:00 Richard Hottelet News
 8:15 Captain Kangaroo
 9:00 December Bride
 9:30 Video Village
 10:00 I Love Lucy
 10:30 Clear Horizons
 11:00 Love of Life
 11:30 Club Day
 11:45 Home fair
 12:00 CBS News
 12:05 Network News
 12:15 Network weather
 12:20 Names in the news
 12:30 As the world turns
 1:00 Full Circle
 1:30 House Party
 2:00 The Millionaire
 2:30 The Verdict Is Yours
 3:00 The Brighter Day
 3:15 The Secret Storm
 3:30 The Edge of Night
 4:00 The life of Riley
 4:30 Cartoon Circus
 5:00 Looney Tunes
 5:30 Huck'eberry Hound
 6:00 News
 6:15 Doug Edwards
 6:30 CBS Reports
 7:00 Playhouse of Stars
 7:30 Johnny Ringo
 8:00 Zane Grey Theatre
 8:30 Markham
 9:00 Adventure Theatre
 9:30 Whirley Birds
 10:00 News
 10:30 Twilight Zone
 11:00 Star Performance
 11:30 Life of Riley

TUESDAY
 7:45 Farm Fare
 7:50 WT TV Network News
 8:00 Richard Hottelet News
 8:15 Captain Kangaroo
 9:00 December Bride
 9:30 Video Village
 10:00 I Love Lucy
 10:30 Clear Horizons
 11:00 Love of Life
 11:30 Home Fair
 12:00 CBS NEWS
 12:05 Network News
 12:15 Network Weather
 12:20 Names in the news
 12:30 As the world turns
 1:00 Full Circle
 1:30 House Party
 2:00 The Millionaire
 2:30 The Verdict Is Yours
 3:00 The Brighter Day
 3:15 The Secret Storm
 3:30 The Edge of Night
 4:00 Life of Riley
 4:30 Cartoon Circus
 5:00 Looney Tunes
 5:30 Woody Woodpecker
 6:00 News and weather
 6:15 Doug Edwards
 6:30 To tell the truth
 7:00 Peck's Bad Girl
 7:30 Dobbie Gillis
 8:00 Tightrope
 8:30 Four Just Men
 9:00 Diagnosis Unknown
 9:30 Ten o'clock news
 10:00 Wrestling
 10:30 Life of Riley
 12:00 Sign off

WEDNESDAY
 7:45 Farm Fare
 7:50 WT TV Network News
 8:00 Richard Hottelet News
 8:15 Captain Kangaroo
 9:00 December Bride
 9:30 Video Village
 10:00 I Love Lucy
 10:30 Clear Horizons
 11:00 Love of Life
 11:30 Home Fair
 12:00 CBS NEWS
 12:05 Network News
 12:15 Network Weather
 12:20 Names in the news
 12:30 As the world turns
 1:00 Full Circle
 1:30 House Party
 2:00 The Millionaire
 2:30 The Verdict Is Yours
 3:00 The Brighter Day
 3:15 The Secret Storm
 3:30 The Edge of Night
 4:00 Life of Riley
 4:30 Beauty school of the air
 4:45 Cartoon circus
 5:00 Looney Tunes
 5:30 Woody Woodpecker
 6:00 News and weather
 6:15 Doug Edwards
 6:30 To tell the truth
 7:00 Peck's Bad Girl
 7:30 Dobbie Gillis
 8:00 Tightrope
 8:30 Four Just Men
 9:00 Diagnosis Unknown
 9:30 Ten o'clock news
 10:00 Wrestling
 10:30 Life of Riley
 12:00 Sign off

THURSDAY
 7:55 Morning Edition
 8:00 Dough - Re - Mi
 8:30 Play your hunch
 9:00 The price is right
 9:30 Concentration
 10:00 Truth or Consequences

FRIDAY
 7:55 Morning Edition
 8:00 Dough - Re - Mi
 8:30 Play your hunch
 9:00 The price is right
 9:30 Concentration
 10:00 Truth or Consequences

SATURDAY
 7:55 Morning Edition
 8:00 Dough - Re - Mi
 8:30 Play your hunch
 9:00 The price is right
 9:30 Concentration
 10:00 Truth or Consequences

SUNDAY
 7:55 Morning Edition
 8:00 Dough - Re - Mi
 8:30 Play your hunch
 9:00 The price is right
 9:30 Concentration
 10:00 Truth or Consequences

edlines...

By Eddie Irwin

ONCE AGAIN IT'S rodeo time in Morton and Cochran County, a time of the year when most folks hereabouts get a real kick out of attending the rodeo and renewing a lot of acquaintances.

although... **THERE ARE STILL** a lot folks around who wouldn't give a flip for all the rodeos staged, still, it being a home town event, and all, a lot of folks will make this their one rodeo to attend this year.

and because... **RODEOS ALWAYS** have been a big affair in this part of the country, the majority of folks really look forward to the show. They like the return to "cowhand times", something a great many of them were extremely familiar with as they grew up.

a lot of... **EFFORT ALWAYS** goes into the production of a Rodeo. A person who has never been closely associated with one, would have no idea how much work. Because of the efforts, it will be a good rodeo. One cannot predict the weather, and cannot predict the temperament of the stock on a given night. But because the stock producer, Morris Stephens is well known for his work, we have con-

SCRATCH-ME-NOT WITH ITCH-ME-NOT
 Apply ITCH-ME-NOT. In 15 minutes, if the itch needs scratching get your 48¢ back. You feel the medication take hold to quiet the itch in minutes; watch healthy, clear skin come on. Get ITCH-ME-NOT from any drugist for external skin irritations. NOW at MORTON DRUG STORE.

FOR ELECTRICAL WORK, night or day...
 CALL TW 4-4865, Levelland
BUD NAIRN ELECTRIC
 MORTON and LEVELLAND
 Phone TW 4-4865 Box 1543
 LEVELLAND, TEXAS

IF you can't find your HOME FURNISHINGS in Morton...
 TRY US
 — Best in FURNITURE
 — CARPETS
 — APPLIANCES
 — DRAPERIES
STACY-MASON, INC.
 Phone TW 4-2173 Levelland
 917 Houston Street

1:30 From these roots
 2:00 Comedy Playhouse
 2:30 Adventure time
 3:00 Forecast
 3:00 Daywatch
 5:00 Afternoon Edition
 4:30 Rocky and his friends
 5:15 Texaco Report
 5:30 Huckleberry Hound
 6:00 Pat Masterson
 6:30 Producer's Choice
 7:00 Four Just Men
 7:30 Wrangler
 8:00 Groucho Marx
 8:30 Highway Patrol
 9:00 Furr's News
 9:10 Weather and Sports
 9:30 Curtain Call
 10:00 Perry Mason
 11:00 Final Edition

FRIDAY
 7:55 Morning Edition
 8:00 Dough Re Mi
 8:30 Play your hunch
 9:00 The Price Is Right
 9:30 Concentration
 10:00 Truth or Consequences
 10:30 It could be you
 11:00 Forecast
 11:15 Festival of Stars
 11:45 Noon Edition
 12:00 Queen for a day
 12:30 Loretta Young
 1:00 Young Dr. Malone
 1:30 From These Roots
 2:00 Comedy Playhouse
 2:30 Adventure Time
 3:00 American Odyssey
 3:30 The Big Picture
 4:00 Cartoon Carnival
 4:30 Captain Gallant
 5:00 Afternoon Edition
 5:15 Texaco Report
 5:30 Riverboat
 6:30 Tales of Wells Fargo
 7:00 Celebrity Talent Scouts
 7:30 Spike Jones
 8:00 What makes Sammy run
 9:00 Furr's News
 9:10 Weather and Sports
 9:30 Patter Gunn
 10:00 Jubilee U. S. A.
 11:00 Final Edition

SATURDAY
 7:45 TV Den
 8:00 Heavy Duty
 8:30 Ruff and Reddy
 9:00 Fury
 9:30 Circus Boy
 10:00 True Story
 10:30 Looney Tunes
 11:00 Inside Sports
 11:15 On Deck Circle
 11:25 Giants vs. Braves
 12:30 Pro Football Highlights
 2:00 Detective's Diary
 3:30 Looney Tunes
 4:00 Looney Tunes
 4:25 Trinity Baptist Church
 4:30 Walt Disney
 5:25 Inspiration
 5:30 Bonanza
 6:30 Mr. Lucky
 7:00 Have Gun Will Travel
 7:00 Eye Witness
 7:30 Have Gun Will Travel
 8:00 Gunsmoke
 8:30 The Real McCoys
 9:00 Lawrence Welk
 10:00 Saturday Edition
 10:05 The Rifleman
 10:35 Night Watch

SUNDAY
 11:00 Cards vs. Pirates
 2:00 Your neighbor, the world
 2:30 Forecast
 3:00 Meet the Press
 3:30 Ed Newman
 4:00 Church of Christ
 4:15 Helps and Hints
 4:30 Bowling Stars
 5:00 Overland Trail
 6:00 Music on Ice
 7:00 Chevy Show
 8:00 Loretta Young
 8:30 Bachelor Father
 9:00 First National News
 9:10 Weather and Sports
 9:30 Ed Sullivan

confidence in the type of animals he will bring to Morton.

there will be... **A BUSY TIME** for everyone if they keep up with what is going on at all times. There's the afternoon parade today at 3 p. m., and it promises to be whopper. For a town the size of Morton such a parade is a feather in their cap. It means folks like to come to Morton to be a part of their parade and they like to come and watch locally produced parades.

after that... **COMES THE POSSE'S** tribute to their fellow riders from area towns, the ham dinner, which again this year is thrown open to the public. That will again be held at the Activities Building.

and you won't... **HAVE LONG TO dawdle**, after you've eaten before it's curtain time at the rodeo itself and the Grand Entry will kick off the tenth annual production.

we hope we'll... **SEE YOU THERE**, rolling up your sleeves and pitching in to help produce this show, the only annual event we know of that is produced in Morton which allows us to entertain a large sized group of visitors.

and now... **WE SUPPOSE** the howls will begin to go up again this week, or next, when Mortonites become aware of their tax valuations (as adjusted by the tax equalization board) for this year.

we don't have... **THE FIGURES** as to how much property was raised and lowered. We don't even know how much money the city is hoping to collect in taxes. All we know is that the present tax equalization board

is making a sincere attempt to do a good job of equalizing taxes.

not that... **EQUALIZATION BOARDS** don't make an attempt every year. But the blunt fact is, as in so many things, that some persons have the determination, time, and know how to do a better job than others. Also, there are times, when through a process of years, the tax values get way out of line, and a particular board will feel the pressure of the need for a more thorough job.

how'd we... **KNOW THIS BOARD** is going to do such a good job, simply because of the time they are spending, the careful attention they are giving to details, and the fact that they are going to the property and give it a personal "look see" when they are in doubt.

not only... **WILL THE CITY** profit from this extra time taken to do a good job, but individual taxpayers will have a better feeling about paying taxes, knowing that others are also carrying their share of the load. It will also make it easier on the city personnel, not having so many gripes for which they have no answer.

the city also... **IS TRYING TO SET UP** a card classification on property, similar to that used by the school district, and this also would be a fine benefit to the city's tax department.

members... **OF THE CITY'S** tax equalization board are Roy Allsup, Hume Russell and Henry Bedwell

the question... **HAS CROPPED UP**, what's to happen with the school tax problem? Well sir, never having been one to dwell on a pessimistic approach, we believe that right will prevail and sooner or later the school will come up with a tax program that everyone can live with.

it's still... **OUR SINCERE HOPE** that this will come soon. We cannot see anything to be gained by putting it off. If further study is needed let's get on with it. Let's come up with a fair tax value for all, enough money to take care of the necessary maintenance of the schools, and then let's tack just a little more tax on it, if that's what it takes to give our classroom teachers a base pay increase.

other area... **SCHOOLS HAVE** done this. In Brownfield a pay increase was pushed and promoted by the P-TA. It's the classroom teachers that most folks are concerned with — those who get no extra bonus because of teaching in a particular field. If it must take driving a school bus, or entering into other special jobs, to get an increase in pay for a classroom teacher, we can see no special inducement to a teacher to come to Morton. At least, let's get that base pay up there, with local funds, to a figure where we can compete with area schools of our size.

if we must... **COMPETE WITH THESE** schools on a scholastic basis we should at least have an equivalent set of tools with which to work.

11:00 The Millionaire
 11:00 News, sports, weather

MONDAY
 7:55 Morning Edition
 8:00 Dough-Re-mi
 8:30 Play your hunch
 9:00 Price is right
 9:30 Concentration
 10:00 Truth or Consequences
 10:30 It could be you
 11:00 Forecast
 11:15 Festival of Stars
 11:45 Noon Edition
 12:00 Queen for a day
 12:30 Loretta Young
 1:00 Young Dr. Malone
 1:30 From These Roots
 2:00 Comedy Playhouse
 2:30 Adventure Time
 3:00 American Odyssey
 3:30 The Big Picture
 4:00 Cartoon Carnival
 4:30 Captain Gallant
 5:00 Afternoon Edition
 5:15 Texaco Report
 5:30 Riverboat
 6:30 Tales of Wells Fargo
 7:00 Celebrity Talent Scouts
 7:30 Spike Jones
 8:00 What makes Sammy run
 9:00 Furr's News
 9:10 Weather and Sports
 9:30 Patter Gunn
 10:00 Jubilee U. S. A.
 11:00 Final Edition

TUESDAY
 7:55 Morning Edition
 8:00 Dough - Re - Mi
 8:30 Play your hunch
 9:00 The Price Is Right
 9:30 Concentration
 10:00 Truth or Consequences
 10:30 It could be you
 11:00 Forecast
 11:15 Festival of Stars
 11:45 Noon Edition
 12:00 Queen for a day
 12:30 Loretta Young
 1:00 Young Dr. Malone
 1:30 From These Roots
 2:00 Comedy Playhouse
 2:30 Adventure Time
 3:00 American Odyssey
 3:30 The Big Picture
 4:00 Cartoon Carnival
 4:30 Captain Gallant
 5:00 Afternoon Edition
 5:1



MISS WILSIE SUE BILBREY

Miss Wilsie Sue Bilbrey Betrothal Told

The engagement and forthcoming marriage of Miss Wilsie Sue Bilbrey, 1960 graduate of Bledsoe High School, to James Richardson of McDonald, N. M., was announced this week by Mr. and Mrs. Wilson Bilbrey of Pritchfork, N. M., parents of the bride-to-be.

Richardson is the son of Mr. and Mrs. Sam Richardson of McDonald and is a graduate of Tatum High School in 1959. He attended one year at New Mexico State University.

The couple will exchange vows on September 3rd at the Bledsoe Baptist Church. Friends and relatives of the couple are invited to the wedding and reception which will follow at Fellowship Hall.

Miss Bilbrey plans to attend New Mexico State University in the fall as a freshman. Both have been active in 4-H work during their high school years.

VISITORS IN MORTON

Visiting in Morton last week were Royce Blankenship, vice-president of the Wallace Theatres, and S. J. Neyland, general manager of the theatres. They spent most of the day with Burnie Haley, manager of the theatre.

EIGHT FROM HERE ATTEND WMU N. MEX. CONFERENCE

Eight members of the WMU of the First Baptist Church, Morton, attended the "WMU Conference Week", July 28 through July 31, at Glorieta, N. M.

The meeting was held at the Southern Baptist Convention Camp at Glorieta. Conferences centered around missionary work.

Attending from here were Mesdames Charles Jones, C. B. Jones, Jack Gunnells, Bill Crone, Roy Hill, D. F. Burris, E. E. Thomas, and T. D. Marshall.

RETURN FROM SOU. DAKOTA TRIP

Mr. and Mrs. Fred Crow of Morton and her sister and daughter, Mrs. Pearl Davilson and Miss Ann Davidson of Wilson, have just returned from a trip to South Dakota.

Among other points of interest visited by the South Plains group were the Black Hills, the Badlands, Mount Rushmore, and Spearfish where they saw the Passion Play.

SOCIETY

Going Away Party Given Nesbitts

About sixty relatives and friends gathered at the home of Mr. and Mrs. Lawrence Nesbitt Saturday night July 30, giving them a surprise farewell party. This young couple has lived here for many years and will be missed by all who know them.

Cookies and punch were served by the hostesses and Mrs. Tracy Enos registered the guests.

Hostesses were Mrs. J. T. Danell, Mrs. Montgomery, Mrs. O. R. Darland, Mrs. Lloyd Ruthardt, Mrs. C. T. Sullivan and the entire Friendly Neighbors Club members which are, Mrs. Pond, Mrs. R. A.

GUESTS OF ENGLANDS

Recent visitors in the home of Mr. and Mrs. Carl England were Carl's sister, Mrs. Jewel Scott of Dallas and her son, Lt. Taylor Scott of Big Spring; and another nephew, Darrell Hagler, wife and two sons, James and John of Odessa.

CIVIL DEFENSE IS STUDY SUBJECT FOR H.D. GROUP

Civil Defense was the program at the meeting of the Friendly Circle H. D. Club meeting on July 27, in the home of Mrs. H. T. Gardner. Several booklets on First aid, Fallout and Home Shelters were given to the members by Civil Defense Chairman, Mrs. Carl Kootz.

Roll call was answered with care of the feet, by six members, one new member and one visitor.

The Council Picnic was discussed. The club voted to help pay the delegate's way, Mrs. Carl Kootz, to the State Meeting at Brownsville, Sept. 13, 14 and 15.

Refreshments were served to Mrs. Woodrow Self, Mrs. Weldon Wynn, Mrs. Jake Reid, Mrs. L. Z. Scoggins, Mrs. H. T. Gardner, Mrs. Carl Kootz, new member Mrs. Gene Gardner and visitor, Mrs. Elmer Gardner.

The next meeting will be on Sept. 1 at 2:00 p. m. in the home of Mrs. Gene Gardner. The program will be on Flower Arrangements to be given by Miss Leila Petty, H. D. Agent.

Davenport - Capps Wedding Date Is Announced

The engagement of Miss Patricia Ann Davenport of Morton and Jimmy Capp of Portales, N. M., was announced this week.

She is the daughter of Mr. and Mrs. Gordon Houghton of Morton and is a 1959 graduate of Morton High School.

He is the son of Mr. and Mrs. J. W. Capp of Portales, and is a survey engineer for the Howard Schneiding Engineering Co., (the engineers on the recent Morton paving program.)

The wedding has been set for the First Baptist Church of Morton on Sunday, August 28th, at 3 p. m. and all friends of the couple are invited to attend.

Honesty Still Found Herabouts

It's always wonderful to know "there are plenty of honest people in this world."

Proof of the thought appeared at the Eastside Cafe Sunday afternoon.

In walked a man with a one dollar bill. He handed it to O. D. Vernon, owner-manager, and said, "Here's that dollar I owe you."

The account, according to O. D. Vernon, owner manager, was just three years old.

Seated in the cafe at the time was Burnie Haley, manager of the Wallace Theatres, Morton.

He introduced even more interesting proof that there are honest people in this world.

Haley recalled that his brother, A. A. Haley, was managing a theatre in Lovington, N. M., in 1950.

One afternoon a young man approached him and announced he owed the theatre \$35.00. "What for," asked A. A. Haley. For one year, explained the youth, my father has been giving me adult admission money to attend this theatre, and "I have been getting in on a child's ticket."

The youth continued, "Recently my father caught up with me." It seems the two had worked out the difference owed the theatre, and the father was going to see that the youth paid the difference.

Needless to say, the theatre manager was astounded.

Band Rehearsals Begin August 22

Regular band rehearsals for the Morton School band will begin Monday, August 22, at 6 p. m. at the band hall. Bill Hulise, band director announced this week.

In announcing the starting date, Hulise asked that all members of next year's band make a special effort to attend the rehearsals.

IDEAL VACATION SPOT LOCATED

One Morton family and one former Morton family report they have found the ideal place for a family vacation.

Over the week end they vacationed in Garner State Park between Uvalde and Leakey.

The vacationers were Mr. and Mrs. Orville Tilger and son, Dale, of Morton, and Mr. and Mrs. Arlie Barnard and son, Nicky, of Odessa.

They report finding a swimming area supplied by springs, plenty of camping facilities, and an atmosphere that's right for a vacation.

Also, they say, one may rent horses, boats, canoes, and water-cycles.

ATTEND LUBBOCK CAMP MEETING

Services were dismissed following Sunday School at the First

Assembly of God Church, Morton, in order that members might attend the annual District Camp Meeting of the West Texas District of Assemblies of God in Lubbock.

HERE FROM WYOMING

Mr. and Mrs. Lee Sullivan and Sandra Dell have come to Morton this week for a short visit, bringing with them Berta Dell Darland

who has been visiting them at their home in Green River Wyoming. They came by way of Montrose, Colo., and saw the Lawrence Nesbitt family who just moved there this week.

FORD ENGINE OVERHAUL

25% DISCOUNT ON PARTS

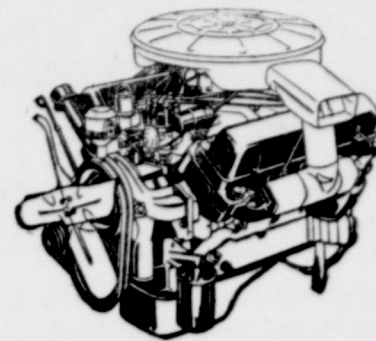
until August 31

MAHAN MOTOR CO.

Authorized FORD Dealer

Phone 4431

Morton



SAVINGS

STORE-WIDE EVERY SHOPPING DAY

AT TRUETTS

WHERE YOU GET MORTON SAVING STAMPS with EVERY PURCHASE — Stamps Redeemable in MORTON

CRISCO

3 lb. Can . . 79¢



KRAFT'S

MIRACLE WHIP

quart . . 49¢



WHITE SWAN

BISCUITS

3 Cans 25¢



FOLGER'S, 6 oz. JAR Instant COFFEE . . 89¢

DEL MONTE, 14 oz. Bottle CATSUP . . . bottle 19¢

DOUBLE MORTON SAVING STAMPS EACH TUESDAY on ALL CASH PURCHASES at TRUETT'S

KIMBELL'S, 24 OZ. CANS GRAPE JUICE . . . 3 Cans 100

MRS. TUCKER'S SHORTENING . . 3 lb. Carton 55¢

DELSEY TOILET TISSUE . . . 2 rolls 25¢

Bake cakes to be Glad about GLADIOLA CAKE MIXES



3 boxes 79¢

— FRESH MEATS —

CHUCK ROAST . . . lb. 39¢

LOIN — PINBONE STEAK lb. 59¢

ARM ROAST lb. 43¢

FOLGER'S

COFFEE

lb. Can . . . 69¢



COLGATE, Regular 53c Size TOOTH PASTE only 43¢



LIBBY'S BIG 46 OZ. CAN

TOMATO JUICE 25¢

CONCHO, Sour or Dill PICKLES . . . qt. 29¢

MELLORINE

1/2 GALLON



39¢

— PRODUCE —

CELLO BAGS CARROTS bag 10¢

SUNKIST LEMONS lb. 12 1/2¢

Firm Heads CABBAGE lb. 5¢

GOLD MEDAL

FLOUR 10 lbs. 89¢

SUPREME CRACKERS lb. box 29¢

WE DELIVER

TRUETT'S FOOD STORE

MORTON, TEXAS

Truett McCuiston — Owner, Manager

PHONE 4871

Phillips 66 BF 1441 Phillips 66

IS THIS YOUR CAR TAG NUMBER?

IF SO — FINE and DANDY

Just bring our car to our station for identification and we have for it's owner, **ONE FREE OIL CHANGE**

NO PURCHASE NECESSARY

Watch For a **CAR TAG** Number Every Week

B & C SERVICE

Phone 4011 South Main Morton

KEEP POSTED LOCALLY

— Read the **MORTON TRIBUNE**

Only 3.50 per year in Cochran and adjoining Counties; elsewhere, 4.50; 10c per copy.

MORTON TRIBUNE
BOX 545,
MORTON, TEXAS

Enter my subscription to the **TRIBUNE**, enclosed find 3.50 (or 4.50.)

(Name) _____

(Address) _____



YUL BRYNNER and KAY KENDALL star in the Columbia picture, "Once More, With Feeling," showing next Wednesday and Thursday at the ROSE THEATRE.

Queen Candidate



PENNY FARMER
Doss Food Store

Three Way News . . .

By Mrs. Frank Griffith

VISIT LANES
Visiting in the Jack Lane home Thursday evening were Mr. and Mrs. Lawrence Quisenberry of Circleback and Mrs. Emil Macha and daughter of Littlefield.

★

VISIT IN MULESHOE
Janna Sue and Danette Lane spent several days in Muleshoe last week with their grandparents Mr. and Mrs. Lane.

★

RETURNS HOME
Sandra Lemons returned home last week from Lubbock. She has been attending Isabel's School of Beauty Culture.

★

HOME FROM OKLAHOMA
J. L. Lemons returned home Saturday from a trip to Oklahoma.

SUNDAY GUESTS
Sunday guests in the D. P. Brinker home were Mr. and Mrs. Lindall Cagle and children of Tatum, N. M.

★

HOME MIDLAND
Annonie Hightower is home this week from Midland. She plans to attend the rodeo at Morton.

★

GUESTS OF HIGHTOWERS
Guests in the C. B. Hightower home over the weekend were Mr. and Mrs. Dan McInroe of Kermit, Forest Vaughn of Midland and Mrs. Wanneil Long of Midland. Mrs. Long is a daughter of the Hightowers.

★

VISIT JORDANS SUNDAY
Mrs. John Shackelford and children of Cotton Center visited in the Lewie Jordan home Sunday

and brought Linda Jordan home. Linda had spent the week at Cotton Center with the Shackelfords.

★

VISIT PARENTS
Mr. and Mrs. Eune Martin of Muleshoe visited with Lewie Jordans the past weekend. Mrs. Martin is the daughter of the Jordans.

★

RETURN FROM CALIFORNIA
Mrs. W. C. McCelvey and Gayle returned home Saturday night from California. They had been visiting there the past two weeks with the daughter of Mrs. McCelvey.

★

TO BE IN PARADE
Kay Lemons will ride in the parade at Morton Thursday before the "Last Frontier Rodeo".

★

VISIT GRIFFITHS
Mr. and Mrs. Jimmie Bateas and girls visited Sunday in the Frank Griffith home. Debbie and Cindy, the daughters of Mr. and Mrs. Bateas remained to spend a few days with the Griffiths.

VISIT RELATIVES AT PAMPAIN
Mr. and Mrs. Elmer Bateas and children visited the past weekend with relatives at Pampa and Mobite.

★

ATTEND REUNION
Mr. and Mrs. Morris Gant and children went to Lubbock Sunday to the Vandiver family reunion. About 60 attended. They were from Farmington, N. M., El Paso, Abilene, Lamesa, O'Donnell, Lubbock and Goodland. Mrs. Gant is a member of the Vandiver family.

★

GO TO REUNION
Mrs. Buck Ragsdale was at Plainview, Sunday, attending the Hartsell family reunion.

★

FUNERAL SERVICES HELD
Funeral services for the mother of Bill Simpson were held at O'Donnell Monday. Several from the Three Way Community attended.

★

VACATION IN COLORADO
Vacationing in Colorado Springs were Mr. and Mrs. Allen Williams of Whitharrel. Mrs. Williams is the former Shirley Williams of Maple. She attended school at Three Way.

★

WEEKEND AT RUDOSO
Several from the community spent the past weekend at Rudoso, N. M. Among them were Mr. and Mrs. Neal Smith, Mr. and Mrs. Jack Hutcheson, Mr. and Mrs. Bill Mann, Mr. and Mrs. Y. L. Sinclair, Mrs. Jack Lowe, Mr. and Mrs. Earl Bowers and Mr. and Mrs. Louis Henderson.

★

VISIT BROTHERS
Mr. and Mrs. Cecil Cole visited

Levelland Sunday with his brothers Jim and Sandy Cole.

★

TO SCHOOL
Mrs. Buck Ragsdale and Mrs. Mickey Sowder went to Lubbock Monday to a school of instruction on How to Handle Class A Cotton.

★

VISITS IN LUBBOCK
Mrs. Louis Henderson visited relatives in Lubbock Monday.

plus
The OAKRIDGE QUARTET
and
The Inspirational SUN., AUG. 14th LUBBOCK CITY AUDITORIUM
Tickets on sale at U. V. Blake's Record Center and Jenkins Music Company
Children 50c
General Adm. \$1.25
Reserve seats \$1.50

Hospital Operates At \$2,162.40 Loss For Month Of July

Memorial Hospital operated at a net loss of \$2,162.40 in July, Jack Sisk, hospital accountant, told members of the hospital's Board of Managers at their regular meeting Monday night.

Besides the financial report, members studied and discussed an oral report from the administrator regarding Friday's inspection of the hospital by a representative of the State of Texas, office space, and the Friday visit of Dr. Phil R. Russell, D. O. executive secretary and treasurer of the Texas Association of Osteopathic Physicians and Surgeons.

Regarding the state inspection, the administrator explained it would be a regular event as prescribed by a law passed by the last Texas Legislature.

(Friday night Dr. Russell described the law as just a step in the right direction.)

The administrator said the inspector would mail the hospital a report of his findings.

Among other things the administrator said the inspector said he would ask the hospital to change or make flash-proof electric switches in the operating room, install a separate air conditioning unit for the nursery, and make certain additions to the firefighting equipment.

The board took immediate action on the separate air conditioning unit for the nursery and asked the administrator to get bids on a refrigerated air conditioner for the next meeting.

Regarding the other recommendations by the state inspector, the board asked the administrator to get bids on all recommended changes as soon as the written report arrived.

Regarding office space for doctors, members discussed with Dr. C. G. Cogburn what success he had in getting office space in Morton.

He told the board that apparently he would have to secure a private home to office in since office space seemed to be at a premium in Morton.

Discussion turned to whether anyone locally could be interested in building office space, or whether a temporary building could be located for incoming doctors.

Dr. Cogburn told the group that Dr. D. M. Agee, D. O., expected to be back in Morton within two weeks.

He explained Dr. Agee had returned to Kansas City to complete moving plans.

Present for the meeting were J. C. O'Brien, president of the board, L. W. Barrett, vice-president of the board, L. E. McDonald, Arvel Snodgrass, J. C. King, and Bill Glassford, secretary.

Others present included Dr. Cogburn who had to leave to attend an emergency, Sisk, Eddie Irwin of the Tribune, and Max Hamilton a local attorney.



At Texarkana, one of the major gateways into the Lone Star State, stands an impressive statue of James Bowie, one of the great men in Texas history.

On the monument are the words, "They never fall who die in a just cause."

Jim Bowie, for whom the Bowie Knife is named, was one of the most famous of the valiant defenders of the Alamo who fought to make Texas free.

BEST FOOD BUYS

DOSS FOOD STORE AND FROZEN FOOD LOCKERS

— PRICES ARE BORN HERE and RAISED ELSEWHERE

WELCOME TO THE RODEO!



Shurfresh Crackers
lb. box 19c

SALTINE CRACKERS

Shurfine, Whole Kernel, No. 303 Cans
Golden CORN . . . 6 Cans 100

Shurfine COFFEE
2 lb. can 119

WELCH ADE
Quart Cans
3 Cans 1.00

Eagle Brand MILK
15 oz. can 29c

SHURFINE, Big 46 oz. Cans
Pineapple Juice 3 Cans 100

JUS MADE
Orange Drink 1/2 gal. 39c

Food King, Big No. 2 1/2 Cans
PEACHES Can 25c

Shurfine
APPLE BUTTER 28 oz. jar 29c

TUNA VAN CAMP 5 CANS 100

Big Top, 10 oz. Milk Glass Tumbler
Peanut Butter . . 3 glasses 100

— FRESH PRODUCE —

Fresh CUCUMBERS
lb. 9c

Fresh TOMATOES
carton 15c

Fresh CORN ear 5c

Golden BANANAS lb. 12 1/2c

— FROZEN FOODS —

SHURFINE, 6 oz. Cans
ORANGE JUICE . . . 5 Cans 89c

UNDERWOOD'S
BAR-B-Q BEEF . . 14 oz. pkg. 79c

BROWN BRER RABBIT SYRUP
No. 5 Jar
jar 59c

FLUFFO
3 lb. can . . 65c

For Automatic Washers
AD

Jumbo size 2.08
Home Laundry Size 3.23

PINKNEY HAMS . . . 1/2 or whole, lb. 49c

Fresh Pork STEAK . . lb. 49c | Homemade Pure Pork SAUS'GE, lb. 49c

SHURFRESH Cheese Spread
2 lb. box 69c

SALAD DRESSING ZESTEE QUART 29c

GET "LIKE NEW" ENGINE PERFORMANCE

FORD Authorized Reconditioned ENGINE

These engines are rebuilt to Ford specifications and dynamometer tested to deliver like-new performance. You get warranty for 90 days or 4,000 miles, whichever comes first.

ENGINES AT WHOLESALE until August 10 MAHAN MOTOR COMPANY
Your Friendly FORD Dealer
Phone 4431 Morton

ROSE THEATRE
IT'S GREATER MOVIE SEASON in AUGUST. SEE YOU AT THE MOVIES!
FRI. — SAT., AUG. 12 - 13

A TOM SAWYER KIND OF BOY!
DAVID LADD
as *Requiem*
THE BOY ON THE BEACH
Starring JULIE ADAMS - JOHN AGAR
Herbert Lewis Lewis

- PLUS -
The BOWERY BOYS In — "LET'S GO NAVY"

SUN. — MON. — TUE., AUG. 14 - 15 - 16
MARLON BRANDO ANNA MAGNANI JOANNE WOODWARD
And now the screen is struck by lightning!
TENNESSEE WILLIAMS' **THE FUGITIVE KIND**

WED. — THUR., AUG. 17 - 18
COLUMBIA PICTURES presents a STANLEY DOHEN production
YUL BRYNNER - KAY KENDALL

"ONCE MORE, WITH FEELING!"