

The Sudan Beacon - News

Forty-First Year

Thursday, November 4, 1965

Number 36

WOODWORK BY DALTON

IT'S BIZARRE, it's weird, it just couldn't be. But it is, and I suppose it serves me right. Poetic justice and all that.

You see, for all my life I've had this problem with my name, doctor. Except for the first three or four years, when I assumed that the normal way to pronounce my name was the way my mother did it. Just plain old Dalton, voiced the way most of you (but not all) who know me do it.

A year or so ago I wrote a column on the subject after Mac MacAllister had mispronounced it a couple of times on KSEL. I think Mac and I both got a kick out of the whole deal. Anyway, people I have known for years still say it as if the first syllable rhymed with ball, gall, small, or brawl.

It's only natural that I developed a complex while very young when I found myself frustrated in trying to remind everyone of the way my family always said it.

I should have given up, of course, and changed it to their way. But I kept fighting it, until finally I developed this secret desire to smash everybody. Naturally I repressed this desire (you just don't amount to anything in society anymore unless you have a bunch of repressed desires) and tried various ways to get my point across.

"Dalton," I would say apologetically, "is pronounced as if the first part rhymes with 'pal' or 'gal'." Then with a sickly laugh, I usually added, "But I'll answer either way," adoud, and under my breath, "--you crumb."

Later I tried to come up with other common-usage words which others might link to my name to help pronounce it. Like owl, Sal, fowl. And some smart-aleck suggested "bowl." Anyway, it doesn't help much. People still call me Dawl-ton. And I have developed a more or less conditioned antagonistic reflex against the word, so guess what has happened? I moved into this house about the same time as the fellow next door moved into his house. His name is Dalton Oden, and sure enough,

Texas Vote On Amendments

Texas voters went to the polls to vote Tuesday and turned down four, with one still in doubt, of the ten proposed Constitutional amendments. The four amendments passed were No. 1, 3, 5, 6, and 8, with No. 2 still in doubt at press time.

Amendments on the ballot in Tuesday's election were: 1.—Financing college buildings. 2.—Continuing veterans' land fund. 3.—Technical changes in laws for the needy. 4.—Four-year terms for certain state officials. 5.—Technical changes in the teachers' retirement system. 6.—Loan fund for students. 7.—Tax exemption for one hospital. 8.—Mandatory retirement for judges and disciplinary procedures. 9.—Permit legislature to set salaries of presiding officers. 10.—Increasing terms of state representatives to four years.

Lamb County voted as follows:

No. 1—787 for, 320 against; No. 2—535 for, 553 against; No. 3—780 for, 337 against; No. 4—403 for, 724 against; No. 5—701 for, 369 against; No. 6—755 for, 342 against; No. 7—403 for, 670 against; No. 8—701 for, 383 against; No. 9—470 for, 618 against; No. 10—304 for, 759 against.

he pronounces it you-know-how.

It is surprisingly difficult for me to say "Dawl-ton" to him; it's probably just as hard for him to say "Dal-ton."

He is originally from Morton and formerly of Littlefield. He likes ping pong and chess, plays saxophone and owns a mandolin, for other coincidences.

It would have been a lot easier if he had been a snob or a Communist or something. Then I wouldn't have to say his name at all. But he and his wife are quite amiable, intelligent folks and our families already have visited several times.

So maybe I'll get used to saying the name. I assume he never has had a problem of anyone calling him "Dowl-ton." But there still may be confusion when casual acquaintances come up to either house and ask for Dalton.



GOOD BLOCKING UP FRONT—Shown above are three Hornet players as they opened the way for Larry Morgan to score against Kress in the football game played here last Friday night.

Local Firm Forms Scholarship Fund

W. E. Hancock, superintendent of Sudan schools, announced this week that Sudan Livestock & Feeding Co. has formed a scholarship fund for a member of the graduating senior class. The recipient of the \$1,000

scholarship will be selected by the Sudan School Board according to the academic excellence of the student without regard to financial need.

Hancock stated that this is by far the largest scholarship ever made available to local students and that the \$1,000 check has been received and will be on deposit until the award is presented at the end of this school term.

This is the first year that the company has offered this fund and they reserve the right to withdraw or continue such a scholarship.

Ben H. Davidson and James E. Davidson, managers and stockholders of Sudan Livestock & Feeding Co., and other stockholders including Alton Reider, Elaine R. Roth and Adele R. Gustafson of California, are responsible for the forming of this scholarship fund.

Calif.; three grandchildren, Claud Pope Jr. of Littlefield, Charlie Pope of Lubbock and Travis Thompson of Houston; and seven great-grandchildren. Burial will be in the Sudan Cemetery.

Mrs. Pope Rites Set

Funeral services for Mrs. Maude Pope will be held today (Thursday) at 2 p. m. in the Sudan Church of Christ. Mrs. Pope died Tuesday about 8:30 p. m. at the South Plains Hospital in Amherst.

Officiating ministers will be Mickey Blake of the Sudan Church of Christ, and Walter Bostick of Lubbock. Payne Funeral Home of Amherst is in charge of arrangements.

Mrs. Pope, who was a member of the Sudan Church of Christ, was preceded in death by her husband, E. Pope.

Survivors include one son, Claud Pope of Lubbock; a sister, Mrs. Lovie Pittard of Bakersfield,

O E S TO HAVE BAKE SALE SATURDAY

The OES is planning a Bake Sale for Saturday, November 6 at the Community Building. They are urging everyone to "come and get your pastries Saturday." All proceeds from this sale will go for welfare.

All active and inactive members of the OES are asked to please bring some kind of pastry for this sale.

Sudan Victim Of Kress Steamroller

By DALTON WOOD

Kress Kangaroos hopped merrily all over Mottom Stadium at Sudan Friday night, putting nine touchdowns in their patches en route to a 62-7 runaway over the Hornets.

The mismatch, which was in doubt even before the opening kickoff, set up a dramatic battle for the District 3-A championship at Hale Center this week.

Kress scored two touchdowns on its first three offensive plays Friday night, and Coach Leo Fields played his reserves for more than half the game thereafter.

It was the worst defeat suffered by a Sudan team in at least seven years, but most of the Hornets' glibness never gave up in their efforts to score.

Hale Center scores saw little of Kress' touchdowns when Dudley Burk and James Lockridge after the first quarter, and even then they had to kick quickly, for these young men nipped around rather rapidly during their brief appearance, identifying themselves to the Kangaroos' total offensive output of 581 yards.

After Kress kicked off, Sudan was halted and then punted to

the Kress 30. On the first play, QB Larry Fields tossed to Burk at the right sideline and he exploded to the Hornet 9, a 61-yard trip overall. On the next play Burk scooted on over, then kicked his first of six extra points, and it was 7-0 with 9:22 left in the first.

Sudan took the kick, made one first down, then Lockridge recovered a fumble on the Sudan 48. On the next play, Lockridge took a pitchout around right end and, escorted by the other 10 Kress players who were blocking like the Baltimore Colts, fished the distance for a TD. For the last 20 yards there were no Hornets within shouting distance and it appeared that the Kress team was running to the showers alone.

Fields opened Burk in the end zone from five yards away for the third Kress TD with 1:25 still left in the first period. After that, the second tenmin took over for most of the game.

Burk wound up with 18 points, Lockridge 12. Halfback Danny Clark scored twice on runs of one and 50 yards, Phillip Johnson scored 22 and 46 for touchdowns, and kicked two extra points; and cut-quick little Charles Gordon scored one on a 3-yard run. He also had several long runs from scrimmage and a 75-yard kick-off return.

Although obviously not in the game, Sudan continued to hustle, and HB Larry Morgan was the Hornet's main offensive weapon. Morgan made one run of 20 yards and finally scored the Sudan touchdown late in the game on a 50-yard pass play from QB Ronnie Hill. Hornet HB Gary Gateswood preceded the scoring play with an astounding catch of 23-yard Hill aerial. Sudan's Mike Bellar earlier made a fine interception of a Kress pass.

GAME AT A GLANCE

Sudan	Kress
7	First Downs 24
100	Yds. Rushing 494
87	Yds. Passing 117
5 of 15	Completed by 4 of 6
1	Intercepted by 0
3	Fumbles lost 0
51	
5-17	Penalties 3-15
6-35	Points, avg. 1-30

BAND PARENTS MEETING

Hornet Band Director Mike Mott announced this week there will be a meeting of the Sudan Band Parents Thursday 8 p. m. in the band room.

PTA TO HOLD MONTHLY MEETING

The Sudan PTA will hold its monthly meeting Tuesday afternoon, Nov. 9, at 8 p. m. Proceeding the program will be the Executive committee meeting. A special dinner will be held on "Developing a Community Climate for Education. The panel will be composed of Mrs. Hill, Mrs. Wiley, Mrs. Dade, W. E. Hancock, Mrs. Jerry Ray.

Mrs. Dade will bring the devotional. Discussion will also be held on "Adult Education and 'No school and School Drop-outs."

Fourth-grade parents will be honored for the meeting.



HALLOWEEN QUEENS and their escorts, pictured above from left to right, are Linda Lane, escorted by Steve Edwards; Glynda Williams, escorted by Roger Boyles. Crown bearers were Donna Bulloch and Steve Ritchie.

Carnival Queens Crowned Sat.

Linda Lane was named High school queen and Glynda Williams grade school queen, at the Halloween Carnival and coronation services held Saturday night at the PTA sponsored Halloween Carnival.

Miss Lane, a seventh grade student, is the daughter of Mr. and Mrs. Frank Lane, Miss Williams is the daughter of Mr. and Mrs. Glynn Williams and a sixth grade student.

Escorting Miss Williams was Roger Boyles and Steve Edwards escorted Miss Lane.

The two queens were presented bouquets while their escorts were presented loving cups.

Mrs. Bob Smith, PTA president, expressed appreciation for the successful conclusion and the cooperation received from those who opened booths at the carnival.

MISS CARRIE JOANN HENRY

Engagement

Mr. and Mrs. Myron Henry of Ft. Worth announce the engagement and impending marriage of their daughter, Carrie Joann, to Mr. Dale W. Henry, son of Mr. and Mrs. Tony Henry of Sudan. Wedding vows will be read by Dr. Marshall Henry, in the First Lutheran Church Chapel, Ft. Worth, December 25, at 7 p. m.

Announced

Miss Henry is Home Economics teacher in the Sudan school system. She is a graduate of Ft. Worth High School and has a BS degree in Home Economics Education from South Texas State University, Dallas, 1958.

Carrie is a graduate of Sudan High School and is a local teacher.

W.A. Roose Dies Held

Funeral services for William Alfred Roose, 76, who died at 10:30 p.m. Tuesday at West Plains Hospital at Littlefield were at 2:30 p.m. Sunday in the First Methodist Church at Littlefield.

The Rev. Jack Wiley officiated and burial was in Sudan Cemetery under direction of Singleton Funeral Home of Littlefield.

Survivors include the wife; two sons, William A. Jr., of the town; Hobbs J., Sudan; Billy D., Littlefield, and Bobby, Walla Walla, Wash.; four daughters, Mrs. Maudie Ellen Reese and Mrs. Edna Ray Reese, both of the town; Mrs. E.L. Martin, Highland, Calif., and Mrs. Edna Clark, Lubbock; a sister, Mrs. Betty Jaggins, Comanche; two brothers, George of Abilene and Jack of Sherman; 12 grandchildren; and one great-grandchild.

Funeral Held

Funeral services for Mrs. M. M. Moore, 64, were held Sunday at the Methodist Church in Mansfield.

Mr. Moore, who was the father of Mrs. James Wallace of Sudan, died Saturday, Oct. 28. Other survivors include daughters, Mrs. M. M. Moore, and one son.

New Projection Screen For Home Movies



WARSAW, IND.—The proud home movie and slide fan can improve his showmanship by using an economically priced electrically operated projection screen designed with exactly him in mind.

As a result, recreation, family and living rooms or apartments can be converted into the snug of moviehouse white suburban. A simple touch of a button makes the new screen surface glide into position for showing pictures. Another touch of the switch makes it go up and out of sight when finished.

C. J. Corry, vice president of De-Lite Screen Company, Inc., here, said the Electric Screen was made to provide the pleasure of projection showmanship, convenience and quality at a price that is "less than a good sized television set." It is operated electrically by photo eye control, and can be used in any room. It is made of aluminum, and is light and easy to move. It is also available in a larger size for the living room and can be operated by its electric control.

The screen runs high on the home handyman's list when he's converting his basement into a recreation room. It can be attached to the wall or ceiling simply by the staple or bolt.

"The screen is operated in

Mrs. Wright Services Held

Funeral services for Mrs. Helen Wright, 64, of Sudan, were held Sunday at 10 a.m. in the First Baptist Church of Sudan.

Officiating was the Rev. Wayne Perry, former pastor, assisted by Rev. O. L. Turner.

Burial was in Sudan Cemetery under direction of Payne Funeral Home of Amherst.

Mrs. Wright died Thursday at 5:50 a.m. in a Lubbock rest home where she had resided since January. She had lived in Sudan since 1904.

Surviving are a son, Edgar M. Wright, 3411 36th St., Lubbock; three daughters, Mrs. Henry Thompson, Flagstaff, Ariz.; Mrs. Johnny Mathews, Sudan, and Mrs. Lucille Childs, Las Vegas, Nev.; a sister, Mrs. Ada Hardin of Covina, Calif.; three brothers, Ollie S. Campbell, Fort Worth; W. W. Campbell, Dallas, and V. T. Campbell, Azusa, Calif.; five grand-children and four great-grand-children.



IN SERVICE—Horse David Beckett, 21, son of Mr. and Mrs. Arnold Beckett of Lubbock and former Sudan resident, is taking basic training at Fort Polk, La. He was inducted in the Army on Sept. 30, 1965.

PERSONALS

Brenda Drake visited during the weekend in the home of Mr. and Mrs. Gene Moore in Pritch.

Mr. and Mrs. Aylmer Pascott

of Littlefield attended funeral services for Mrs. W. O. Wright held Saturday morning at the First Baptist Church. While here they visited in the home of his sister, Mrs. R. E. Scott.

Jim Eddins of Crosbyton and Bill Eddins of Hurst are here this week to be with their mother, Mrs. W. O. Eddins, who is confined to a Littlefield hospital.

Also here to be with her are Mr. and Mrs. Jerry Mudgett of Slaton, who are visiting in the home of their son and family, Mr. and Mrs. Wiley Mudgett.

Clinton Jones, who received an injury during the Junior High football game Thursday night, returned home after being confined to a hospital in Littlefield.



Toy shopping can be confusing and even overwhelming with the huge variety of toys available today. Make your toy buying plans prior to your shopping trip, keeping these general considerations in mind.

Select the proper toy for the child's age, interest and ability. Select toys that are sturdy and safe. And most important of all, choose toys that are creative and that stir the child's imagination. Here are some specific ideas for different age groups.

- Age 1 to 4. Children in this group love to explore, taste and touch. Give them:
 - Pull toys—Locomotion fascinates them.
 - Stuffed animals—Cuddly animals help bring security.
 - Creative toys—Wooden, plastic Tinker Toys teach simple construction.

Age 4 to 6. Children now become more active, and imaginative. For this group choose:

- Tricycles and outdoor wheel toys—Active toys are necessary for physical development.
- Construction sets. These develop coordination and manipulative skills—Toy blocks, from which a wide variety of push-pull toys can be made, is a good one.
- Doll families—Excellent for dramatic play.

Age 6 to 8. Children become more aware of their interests. Select for this group:

- Puzzles—Simple puzzles are educational and fun.
- Challenging toys—Toys that challenge the child and create the ability are more important now. The National Toy Library is an example of a toy that is so creative as the National Toy Library.
- Toy stores, libraries, toys and books—The child's imagination grows as they play with toys for an outlet.

CALL ANY TIME FOR SYMPATHETIC HELP

No matter what the hour, day or night, we are here to help you in your time of need, with understanding counsel.



HAMMONS FUNERAL HOME
AMBULANCE SERVICE
Pho. 385-5121
503 E. 5th, Littlefield

SUDAN BEACON-NEWS

Published Each Thursday at SUDAN, TEXAS
And entered as second-class mail matter at the postoffice at Sudan, Texas, June 26, 1964, under the Act of Congress of March 3, 1957.

J. W. House Jr., Publisher
Delbert Wood, Editor

SUBSCRIPTION RATES
Lush County—\$2.50 per year
Elsewhere—\$3.00 per year

CLASSIFIED RATES
25 per word, first insertion, 10 per word for subsequent insertions, minimum charge 50¢ per first insertion.

DISPLAY RATES Upon request

TERMS Cash on delivery

HORNET FOOTBALL SCHEDULE 1966

Sept. 9	- SUNDOWN here
Sept. 16	- AMHERST there
Sept. 30	- SEAGRAVES there
Oct. 7	- PLAINS there
Oct. 14	- BOVINA there
Oct. 21	- O'DONNELL here
Oct. 28	- SPRINGLAKE here
Nov. 4	- KRESS there
Nov. 11	- FARMELL here

WE SPECIALIZE IN MAKING SEAT COVERS & CARPETS FOR ALL CARS AND TRUCKS

McCORMICK'S

227 MAIN LITTLEFIELD

All Hail the Emperor!

Emperor grapes are with us again—this year's crop yielding the most colorful fruit in a decade. Emperors are the big, dark red grapes which are normally available from late fall through winter. The 1965 crop, however, is early and supplies in the market right now are unusually large for November. Often called the "fruit bowl grape", Emperors are also delicious in fruit cups, salads and many desserts, such as these tarts:

EMPEROR GRAPE TARTS

6 baked tart shells	1 1/2 tablespoons grated lemon rind
1/4 pound Emperor grapes	1/4 cup heavy cream, whipped (optional)
2-cup package vanilla pudding	1 tablespoon sugar (optional)

Put shells and grapes in bowl. Remove seeds and cut 4 or 5 berries in the bottom of each tart shell, cut side up. Prepare vanilla pudding according to label directions and stir in 1/4 teaspoon of the lemon rind. Cool. Spoon into tart shells over grapes, filling three 1/4 full. If desired, top with whipped cream to which sugar and remaining 1/4 teaspoon grated lemon rind has been added. Garnish with remaining Emperor grapes. YIELD: 6 servings.

SPECIALS

SPECIALS BEGIN FRIDAY

ONE FOOD DOLLARS

Low Everyday Prices

FRYERS EACH **69¢**

RANCH STYLE
BACON 2 LB. PKG. **\$1.39**

BANANAS Lb. **11¢**

GRAPES TOKAY Lb. **13¢**

RED SPUDS 20 Lb. Bag **79¢**

COFFEE CHUCK WAGON 1 LB. CAN **59¢**

DOG FOOD 13 CAN FOR **\$1**

MRS. TUCKER
SHORTENING 3 Lb. Carton **69¢**

AQUA NET HAIR SPRAY CAN plus tax **63¢**

KIMBELL
MILK TALL CANS FOR **2.27¢**

JELLO WHIP'N'CHILL PKG. **19¢**

HI C ORANGE DRINK 3 46 OZ. CANS **99¢**

HEARD'S GROCERY

DOUBLE GUNN BROS. STAMPS
Wednesday on \$2.50 or More Purchase



Devotional

BY HAZEL HOUSE

THE LIGHT
OF THE WORLD IS JESUS.

Scripture: St. Mark 10: 46-52; St. John 1: 6-9; St. Matthew 5: 8, 14-16; 18: 11.

"I stand alone..."
If I were left alone in this world, if there were no church, not one, and all the Christians were gone... if I were left alone here... only me, with the secret of the knowledge of joy and eternal life through Jesus Christ... what kind of witness would I be for Jesus Christ? Think of such a strange thing as this.
If only you were here, what kind of witness would you be to this world of persons who are lost in the darkness of sin and separated from God, without God and without hope?
What does Christ mean to you? Do you know Him as the One who came to earth for no other purpose than to save that which was lost—you and me? Do you know Christ, then, as He revealed God to mankind as a merciful creator—Father, forgiving and loving and kind in

giving His Son to die for us—while we were yet sinners, Christ died for us? Do you love Jesus, because He first loved you? Do you know Him as Savior and Friend?
If Christ loved you while you were sinful—if He loves a sinner, can you see Jesus taking your sins on Himself on the Cross and dying in payment of them—paying the price of your redemption from sin and from the grave?
Then do you know the Lord Jesus Christ in the Resurrection from the dead—the living Christ who arose, who ascended into heaven and who did not even then leave us alone, but sent back the Holy Spirit to be with us to guide us all the way back to the Father in heaven?
Do you know your sins forgiven? Repent of (be sorry for and turn away from) your sin, and follow (believe in and accept) Jesus. Give yourself to Jesus, confess Him and He is your Savior and Lord.
What kind of witness am I?

Who am I? What is He? What am I here for? Where am I going?
I am myself—no wife—to have life in a gift. But what am I here for and where am I going?
I saw myself in a bright light's beam, a bigger, unlens, uncolored - for, lost, and I prayed 'God have mercy on me, a sinner'.....

Then as if I suddenly stood alone, I saw myself,

Small was I, so small, yet in myself I knew One so Wonderfully wise abiding, within myself I knew Him

Within myself—how could this be? I could not tell and yet

I knew He lived, and gave me life and breath and moved me

To witness—He revealed Himself, made a reflector in me for His glorious light

To shine out into the darkness, this joy He gave, this hope, too much for me to contain within

The light of His own glory, of His love, of eternal life, and reconciliation

To God - for even me! And the ministry of this reconciliation entrusted to me—and to you

I saw myself, so very small, yet within this unit He abideth, His word abideth and burns through me a living fire, and I cannot stay....

I saw myself, growing smaller, yet He is living in me, so I live by Him

Because I am good? No! Because He is God, He is love, He is good, He loves me.

And who am I? A sinner saved by God's grace, because I believe Him and accept and confess Jesus Christ...

Where am I going? Home! because I walk by faith, in submission, following Jesus, full of joy and hope and love and eternal life...

For in me He witnesses, He reflects His light
I saw myself, a sinner needing a Savior, needing a guide needing love and peace, and hope for eternal life.

Have you seen yourself, alone, meeting Jesus Christ? He loves you, He died for you.

So, I pray you, be ye reconciled to God through Jesus Christ the Lord.

I stand alone, yet not alone, for the Lord will never leave me, nor forsake me. And praise His name, other Christians, the true Church of Jesus Christ, also reflect His light of love and hope, and by their faith and witness, mine is renewed and made stronger. The Light of the world is Jesus!

What kind of witness am I to one so great as our God? Can the world see Jesus in you?

LAMB COUNTY RED CROSS BOARD MEETS OCT. 29

James F. Arnold, vice chairman of Lamb County American Red Cross presided at the meeting held Oct. 29 in the classroom of churches, Mrs. Beulah Johnson.

Reporting on the United Fund drive was Mrs. Doris Proy, chairman of Volunteers. Bill Weigel, first aid chairman, reported on the sale of first aid which will be given on Nov. 4, 9, 11, 18 and 25. The course is open to the public. Sgt. C. A. Dempsey of the Texas Department of Public Safety will be the instructor.

The board members attending were Mrs. Don Terry, Mrs. Blanche Dodgen, Mrs. Doris Proy, Curtis Wilkinson, Bill Weigel, James F. Arnold, One guest, Mrs. Ross attended and Mrs. Wags executive secretary attended.

FFA News

By ROD BOWLING

The Sudan Chapter of the Future Farmers of America met in a regular meeting on November 1, at 7:30 P.M. Green hand President, Damon Provenza, called the meeting to order and Chapter President Bill Black presided over the remainder of the meeting.

The chapter adopted a constitution and discussed chapter by-laws. The chairman of each of the program of work committees then read their reports and all were accepted.

The chapter decided that it would sponsor a pig chain similar to the heifer chain now one year underway. The chain will be limited to Green hand or freshman Voc. Agr. students.

Sometime in the near future, the FFA plans to sponsor a party. The details have not been decided upon as yet.

The meeting was adjourned at 8:30 p. m.



Baptist Begins Revival Friday

Dr. W. Earl Hooten, pastor of the First Baptist Church in Sudan, will conduct revival at Rocky Ford Baptist Church, Nov. 3-5.

Services will begin at 6:00 p. m. Friday and Saturday nights. Sunday morning worship services will begin at 11 and the evening worship service will be at 7:00 p. m.

Mevin Hooten, Pastor of Rocky Ford Baptist Church invites everyone to attend the revival services this weekend.

Dr. W. Earl Hooten, pastor of the First Baptist Church in Sudan, will conduct revival at Rocky Ford Baptist Church, Nov. 3-5.

Mevin Hooten, Pastor of Rocky Ford Baptist Church invites everyone to attend the revival services this weekend.

DR. W. EARL HOOTEN YOUNG HOMEMAKERS PLAN PUBLIC SEWING COURSE

The Sudan Young Homemakers met Monday night in the Home Economic building. Plans were made to begin a short course in sewing starting Nov. 9 at 7:30 p. m. in the Home Economic building.

The public is invited to participate in this free instruction study on the latest methods in sewing. Instructor will be Miss Joann Henry, Sudan home economics teacher.

Dr. J. M. Stender, Pediatrician of Littlefield, was speaker for the regular monthly meeting, Monday night, using as his topic "The Behavior of Small Children".

Hostesses serving refreshments were Gail Messmore and Jane Wiseman.

PERSONALS

Mrs. S. D. Hey accompanied Mrs. Edith Miller of Amarillo to Houston to visit in the home of Mrs. Miller's daughter, Mrs. Bown Dalaney and family.

Mr. and Mrs. Bill Carter and son, Jack D. Carter, of Graham returned home Monday after visiting Mrs. Carter's brother and family, Mr. and Mrs. J. W. House Jr.

SEW and SAVE

by JULIA

THE ART of making buttonholes is exactly that; in Paris, certain seamstresses with the couture houses specialize in making buttonholes. In fact, buttons and buttonholes are more important in current fashions than in many seasons.



THE KIND of buttonhole the home sewer makes depends on a great many things; the fabric used, the fashion itself, the buttons you have in mind. The size of the buttonhole is dictated not only by the length of the button, but also by its shape.



MAKING buttonholes has always been a chore for home dressmakers. But it need be no longer. Both raised and corded buttonholes can be made fully automatically in seconds on the Julia by Macchi of Italy, the only sewing machine which makes the entire buttonhole itself. The foot of the machine has a special cutter that cuts the buttonhole without removing the fabric from the machine, and the length of the buttonhole can be changed at will. A girl really couldn't ask for more, could she?



HOMER MORRIS HOME MECHANIC

REPAIR AND MAINTENANCE OF
TELEVISIONS - RADIOS
REFRIGERATORS - FREEZERS
EVAPORATIVE & REFRIGERATED AIR CONDITIONING
SMALL APPLIANCES
" LET ME WORRY ABOUT YOUR TROUBLES
• 32 YEARS OF EXPERIENCE COUNTS •
call 227-3331
MORRIS HARDWARE
SUDAN, TEXAS



Just what could occupy the mind, Point out the type or name the kind, That equals service we can give, To prove the life we choose to live; Not just a service for a few, But service for no matter who; Our service equals all that we, Can ever claim or hope to be.

PAYNE Funeral Home
PHONE 246-3351
AUBURST, TEXAS

ENRICHED 7 WAYS



'66 Chevrolet Impala Sport Coupe—with crisp-lined new Body by Fisher

1. NEW TURBO-JET V8's. Three versions of this remarkably efficient engine are available, with ratings of 325 hp, 390 hp and 425 hp.
2. RICHER NEW INTERIORS. They're impressive even by Impala standards. And the fine hand of Body by Fisher craftsmanship is very much in evidence.
3. CRISP NEW STYLING. More elegant from V-shaped grille to new wrap-around taillights.
4. A JET-SMOOTHER RIDE. Refinements in body, frame and suspension (including Full Coil springs tailored to each body style) make the ride even gentler.
5. RACY SUPER SPORT MODELS. Pick an Impala SS Coupe or Convertible, complete with new Strato-bucket front seats and eye-catching console.
6. NEW SAFETY FEATURES. They include windshield washer, two-speed electric wipers, rear seat belts and backup lights—all standard on every '66 Chevrolet.
7. OVER 200 CUSTOM FEATURES. You can have a field day ordering luxuries like FM stereo radio. Want to raise your standard of living it up? Your Chevrolet dealer's the man to see.

Chevrolet's Jet-smoother '66 IMPALA

See the new '66 Chevrolet; Chevelle, Chevy II, Corvair & Corvette at your Chevrolet dealer's 42-8240

BACCUS CHEVROLET
SUDAN, TEXAS

FOR RENT—3 bedrooms furnished home, located in South Lubbock. Call 227-3591, South Blvd. 11-4-54

FOR SALE—Sweet potatoes, 3 million Bushels 1/2 million Bush of Sulphur. W. E. Vought 10-21-54

WANTED—I want to do baby sitting in my home. Daytime only. Phone 227-5761. 10-21-54

FOR SALE—Baby American living room set in excellent condition 4-piece Baby Amos. Inside window-shutters, and one door shutter. Contact Mrs. Donna Testerman, Box 98, Sudan, or phone 227-3534. 10-21-54

ATTENTION—we will be picking up a special piano in your area, small monthly payments. First payment in Jan. Write Credit Mgr., JENT'S HOUSE OF MUSIC, 2650 34th, Lubbock, Texas. 11-4-54

WANTED—Responsible party to take over payments on late model Dodge sedan available in Lubbock area. Will accept any offer, cash, 5 payments at \$4.00 or \$5.00 each. Write Credit Department, 1234 12th Street, Lubbock, Texas.

MATTRESS WORK
NEW MATTRESSES MADE
RENOVATING
FURNITURE UPHOLSTERED

King Size Mattresses
Our Specialty
Economy
Mattress Co.
 LUBBOCK, TEXAS
 Ph. 227-6701, or
 Write Box 566, Sudan.

SUDAN ELEVATORS
YEAR AROUND BUYERS
OF ALL GRAINS
We Can Handle Your
Off-Grade and Moisture
Grain at a—
NOMINAL DISCOUNT
J. H. VINCENT
 Owner and Manager

FURNITURE
RECOVERED

FINE
FABRICS
EXPERT WORKMANSHIP

MC CORMICK'S
TRIM SHOP
 227 XIT DR.—LITTLEFIELD
 PHONE 385-6955

FILM SERVICE
 All Film Developed
 Quick Service
 Henderson Grocery

Most people pursue happiness—others create it. Gerald K. Young, The Blakesburg (Iowa) Examiner.

STEEL
BARN
 and
COMMERCIAL
BUILDINGS
 CALL YOUR
BETTER BUILDING
REPRESENTATIVE
25% DOWN - FALL TERMS
 CALL
WORACE HENLEY JR.
 Dimmitt, Texas
 Phone 647-3501
 After 7 p.m.

CARD OF THANKS
 The family of William Alfred Rees Sr., with all sincerity, thank each and every one of the many people who were so kind and generous in the giving of themselves to ease our sorrow in the loss of our loved one. Words alone cannot express our appreciation and thanks.

We especially thank Tom Henderson, Rev. Jack Riley, and the staff of the Singleton Funeral Home for the help and comfort which they so generously gave.

The William A. Rees family.

CARD OF THANKS
 Your kind expressions of sympathy, the flowers and the food, are deeply appreciated by the family of Mother Wright. May God bless and keep all of you.

Mr. and Mrs. Edgar M. Wright
 Mrs. Johanna Matthews
 Mr. and Mrs. Roy Bullard
 Jack and Bud Matthews
 O. S. Campbell
 Mr. and Mrs. W. W. Campbell

FEEDERS GRAN, INC.
DAILY BUYERS FOR
CATTLE FEEDERS
 Federal Storage License 3-4451
 We Can Use Your Grain
 Have Semi-Lift - Location
SUDAN LIVESTOCK
& FEEDING COMPANY
 Phone 227-5311 - Sudan

HOSPITAL
NEWS

Patients this week in the South Plains Hospital in Amberst include the following:

From Amberst—Mrs. Rose Grimes, E. E. Gee, Mrs. Effie Tapley, K. Sullivan, Mrs. Lucy Nix, Mrs. Jarets Duggan, W. E. Priddy, and Dorothy Crawford.

From Sudan—Monroe Williams, Mrs. Mabelle Hendrix, Mrs. Lena Rollins, Raymond Burdett, Nell Gentry, Jerome Earl Williams, and Opal Dean.

From Earth—Mrs. Minnie Bull, and Kenneth Boone.

From Dimmitt—Enma Martinez

From Littlefield—Robbie Sexton



Monday, Nov. 8—Chicken noodle casserole, blackeye peas, buttered corn, hot rolls, butter, milk, Hawaiian salad.

Tuesday—Meat loaf and cut-up, mashed potatoes, cut green beans, hot rolls, butter, milk, cloverleaf bun.

Wednesday—Brown beans, barbecued wiener, whole kernel corn, cornbread, milk, plain cake with icing.

Thursday—Veg - beef stew, sliced cheese, crackers, doughnut, applesauce.

Friday—Beef roast and brown gravy, buttered potatoes, asparagus tips, hot rolls, butter, milk, congealed salad.

PERSONALS

Mrs. Ola Baccus was in Hereford last week to be with her daughter, Mrs. Jo Miller, who was ill and confined to a hospital there.

Mr. and Mrs. Jim Baccus of Sheepsport visited during the weekend with their parents, Mr. and Mrs. M. C. Ingram, Mr. and Mrs. Doyle Baccus, and with his grandmother, Mrs. Ola Baccus.

Among those from Sudan attending the Tech-Rice game in Lubbock Saturday night were Mr. and Mrs. Rodney Nichols, Mr. and Mrs. Ralph May, Mr. and Mrs. Doyle Watkins, Mr. and Mrs. W. E. Hancock, Mr. and Mrs. F. M. Smith, Mr. and Mrs. Tom King.

Hunting in South Texas this week are Bruce Newman, Bob Newman, Lewis Fields, Jack Downs, Jim Newman, Bob Carlson.

Sunday guests in the home of Mr. and Mrs. Arnold Beckett of Lubbock were Mr. and Mrs. Wilson of Carlsbad, Mrs. Jerry Price and sons of Sudan, Mr. and Mrs. O. C. Hall and children of

STUDY CLUB MEMBERS
ATTEND JERILE TEA

Members of the 1955 Study Club were in Littlefield Wednesday, Oct. 27, to attend a jubilee Tea when hostesses were members of the Littlefield Women's Club. The tea was held in the XII room of the Security State Bank.

Appearing on the program was Mrs. J. L. Jennings, state president, of Pilot Point, Othman of Scotch present included Mrs. Bill Davis of O'Donnell and Mrs. R. H. Tippo, district president of Denver City.

Those going from Sudan were Mrs. W. V. Turry, Mrs. J. S. Smith, Mrs. Kenneth Whiteman, Mrs. Weaver Burnett, Mrs. F. M. Smith, Mrs. S. D. Hey, Mrs. R. S. Greenwood, Mrs. F. W. Watts, Mrs. W. O. Willingham.

METHODIST YOUTH
COLLECT FOR CROP

Methodist youth went out Sunday afternoon to take in \$93.10 as a donation for CROP, Christian Rural Overseas Program sponsored by Church World Service.

Following the house-to-house campaign, the youth returned to the church fellowship hall where sandwiches and punch were served by Mrs. Herb Potter, Mrs. Joe B. Markham and Mrs. Bob Drake.

Those participating in this collection for CROP were Cynthia Parrish, Danny Martin, Shawn Potter, Debbie Nix, Sandra Lane, Nancy Nix, Vicki Masten, Kathy Minsard, youth counselor Hazel House, and Jack Riley, pastor.

Sudan, Mr. and Mrs. James Beckett and daughter of Sudan, Mr. and Mrs. Dwan Powell and children of Sudan, Mr. and Mrs. Alton Burton and children of Muleshoe, Mr. and Mrs. Bob Donaldson and son of Muleshoe.

Mr. and Mrs. Hoyle Frio of Brownwood Lake visited friends in Sudan recently including Mr. and Mrs. Lynn Olds, Mr. and Mrs. Wayne Howell, Mr. and Mrs. Elgan Baccus, Mr. and Mrs. Dewey Haragan.

GROW PEAS AT A PROFIT

WE HAVE A
COMPLETE PROCESSING PLANT
TO SERVE FARMERS IN THIS AREA
FOR INFORMATION, CONTACT

EDWIN BROWN
 PHONE 227-6471
 LOCATED AT SUDAN ELEVATORS

NOVEMBER 11 IS VETERANS DAY

WE ARE PROUD TO ANNOUNCE THAT WE NOW HAVE THE SYLVANIA COLOR TELEVISION DEALERSHIP IN SUDAN.

SYLVANIA COLOR TV SETS START AT \$429.00

WE WILL FINANCE ANYTHING YOU BUY

Harlin Radio & TV
 Phone 227-3811 Sudan

Get Your Order In Now for

Quality

JOB

PRINTING

Sudan Beacon-News
 PHONE 227-3911

CHECK AND SEE, MR. BUSINESSMAN,
 WHAT YOU NEED....

- * STATEMENTS
- * WINDOW ENVELOPES
- * STATIONERY
- * OFFICE FORMS
- * HANDBILLS

OUR WORK IS GUARANTEED
TO YOUR
OWN SATISFACTION

ORDER NOW BEFORE YOU ARE SO SHORT
 YOU'LL NEED THEM YESTERDAY!

REMEMBER -- Quality Printing Represents
 You Well Wherever It Goes!

MODERN GAS COOKING IS SO
EASY
CLEAN
COOL
DEPENDABLE

and... **5 TIMES**
MORE ECONOMICAL

A modern Gas range can do anything any range can do... and a lot more, too.

Gas Makes The Big Difference. Cook Less, Too.

Fluoroc Natural Gas Company

TIPS for OUTDOORSMEN

Convenient Care for Ammos
 New plastic cigarette packs make an ammunition case that is just the right size to hold nine .30/06 shells in your pocket and keeps them from rattling.

Netting the 'Hoppers
 Cheesecloth about six feet by four feet makes a handy gadget for catching grasshoppers. Let two men hold the cloth... one at each end... and make a quick pass through tall grass. Jumping 'hoppers will hit the cloth and get stuck there.

Solves Sticky Worm Problems
 Store plastic worms in small plastic bags, individually. This prevents them from sticking together in the tackle box.

Protects Trailer Hitch Ball
 To prevent the trailer hitch on your boat trailer from corrosion during the winter lay-up, slit a tennis ball almost in half and slip it over the hitch ball.

Aluminum foil bunched around the hitch ball is almost as good.

Scrubbing Brightens Lures
 Take an old toothbrush, a dish of hot soapy water, and scrub down those plugs, spoons, and feathered lures occasionally. It makes 'em bright as new.

Deepfreezes Ice Before Trip
 If you want a block of ice to last longer in camp, put it in your deepfreezer a couple of days before leaving home. It will last twice as long because you've lowered its temperature and it gives off more cold.

Vermining the Rod
 When substituting your fishing rod, remember that a pipe cleaner is just the right size to vermin under the guides

where small brushes won't reach.

Talkum Treat Your Lures
 Before putting your tackle away for a long time, sprinkle talcum powder over the artificial baits.

By absorbing all moisture the powder keeps rust to a minimum.

First toss of lure overboard next spring washes away all signs of powder.

Drinking Cup for Dog
 If you're on a hunting trip and want to water your dog, but have no container, try using a hubcap off your car as a saucer.

Works swell. Always handy.

Cleaning Rod Handles
 To clean grips on fishing rods, use a good cleanser and a pad of soft steel wool. It does the job fast.

Refrigerating Hoppers
 Before taking a supply of grasshoppers fishing, try putting them in the refrigerator overnight.

They'll be loggy, less likely to escape and easier to put the hook.

A few minutes of sunshine restores their bounce.

Carry Camera in Canteen Holder
 A U.S. Army canteen holder makes a strong, light case in which to carry your small camera.

Provides good protection, keeps it handy for instant use, yet holds snugly in your belt.

You can obtain one for pennies at any Army surplus store.

Kingsize Cubes Last Longer
 Going on a camping trip and need some long-lasting cubes for your ice chest? Freeze up a batch using your wife's mouthpiece. Each cube will be kingsized and will last much longer.

Foil Amplifies Light
 Aluminum foil can be pinned across the back of your tent to reflect lantern light. Makes the lantern's glow much brighter.

Shear Pin Stakeout
 Ever get out on a lake or a stream, shear a pin and find you can't locate your extra supply?

Tape a reserve supply of one or two to your outboard motor's handle.

It's a handy place to keep them—and you'll be constantly reminded that they're there.

Quick Attaching Sinkers
 Attach your sinkers to a pipe cleaner, cut in half. Then you can twist one on the line in less time than it takes to tell it.

Prepare 'em in one, two and three-sinker sets and keep 'em handy in the tackle box.

They're easy to remove... and re-use.

Solves Smelled Hook Problem
 A good way to keep sm... hooks in your tackle box or pocket is to coil the smell neatly and wrap hook and snell in masking tape.

This way rigs won't deteriorate, won't get damaged or bruised and won't catch or tangle in clothes or other gear.

Attach the used tape to the inside lid of your tackle box where it will keep dry. Then use the tape again later on for this and other purposes.

Good Use For Old Carpets
 Get a piece of old discarded carpet and put it in the bottom of your aluminum fishing boat.

It resists dirt, makes the boat quieter, and protects the inside of your boat. Also gives it a jumpy look.

DKG Regional Meeting Slated

Delta Kappa Gamma Society Regional No. 5 will meet at the Dumas City High School November 6 for the annual fall regional meeting. Registration will start at 9:00 a. m. followed by roll call of chapters with the meeting program beginning at 10:00 a. m.

Local Delta Kappa Gamma members are Mary Tollett, Elsie Wilson, Maxine Nichols, Hazel May, Hattie Bowen, Thelma Wiseman, Lucille Brown, and honorary members Ada Slaton from Sudan.

Ambush members are Joye Hodges and Florioe Eisinger.

Director for the meeting are Mrs. Frances Lowrance of El Paso, Corresponding Secretary Alpha State and Mrs. Dimple Watson of Lubbock, Constitution Chairman Alpha State.

Mrs. Lowrance holds a B. A. Degree from Indiana University and a M. Ed. Degree from Texas Tech. She has also done graduate work at Texas Western College where she was Assistant Professor of Education. For five years she served as supervisor with the Department of Instruction of El Paso Public Schools.

Mrs. Watson received both B. A. and M. A. Degrees from Texas Tech. She is currently

working in the Susan Wilson Elementary School, of Lubbock Public Schools.

"You Have the Key" will be the theme for the meeting Tuesday. Program topics for the morning session have been developed around the theme and the progress of work of the society.

Mrs. Kathleen Spivey, President Gamma Lambda, will preside at the luncheon session at 12:15-2:00 p. m. when Mrs. Frances Lowrance will speak on "You Have the Key for Delta Kappa Gamma."

A breakfast for all chapter presidents will precede registration. Members from Spelman Delta who are serving on committees are Mrs. Linda Campbell, Olton, President; Mrs. Helen Bohner, Olton, Program; and Mrs. Mary Tollett, Publicity.

Ten chapters will be represented from Lubbock, Odessa, Andrews, Lamson, Lamb and Bailey Counties, and the hostess chapter made up of members from Gaines and Yoakum County. Approximately 200 members are expected to attend.

JUNIOR HIGH TO PLAY FARWELL HERE

Two Junior High football games will be played here Thursday afternoon beginning at 5:30 in Masten stadium. The Sudan boys will meet the seventh and eighth grade teams from Farwell.

Sudan junior high teams were defeated in the two games played in Kress last week.

Armstrong Picks Stanwyck For Big Valley



Television Emmy Award winner Barbara Stanwyck, who has also been honored by four nominations for Hollywood's Oscar, returns to TV as star of "The Big Valley" starting September 15 on ABC.

BIG VALLEY, CALIFORNIA — A new western series in color, so lavish and expertly written that viewers feel they are watching a major feature film rather than a video drama, brings Barbara Stanwyck back to the living room tube this autumn.

The weekly hour-long show on ABC-TV, four years in the preparation, is "The Big Valley." Sponsored by Armstrong, manufacturer of flooring and acoustical ceiling materials, it is set in California's San Joaquin Valley around 1870 and draws material from the most colorful and exciting single decade of the past century.

Miss Stanwyck plays the tough yet elegant head of a family dynasty rich in oil, cattle, crops and land. Richard Long and Peter Breck, both veterans

of their own successful TV series in past seasons, are her oldest sons and supervise the clan's financial and ranching operations, respectively. The unusual format permits segments to be set against such varied backgrounds as San Francisco, the Valley grapelands and wineries, railroaded oysters or the ranchlands.

Completing the continuing cast are newcomers Lee Majors, Linda Evans and Charles Briles. "The Big Valley" will be seen Wednesday evenings in most locales, premiering Sept. 15.



LOTS OF BULL—Shown above is the 1959 Perth Supreme Champion Aberdeen Angus bull, valued around a half million dollars, the first of its breed to be delivered to Texas. Atamo Angus Ranches located near San Antonio purchased one third ownership of the animal. Perth, Scotland is the original breeding area for the Aberdeen Angus.

HONOR ROLL
Other students who made the honor roll this past six weeks are:

FRESHMEN	
Vicky Ray	3.65
Francis Hanna	3.54
Kathy Fisher	3.54
JUNIOR	
Gordon Gilstrap	3.85



We have the mind of Christ. —(1 Cor. 2:16)

When we have a test to meet or have new instructions to learn, remember the all-knowing Mind of God is within us, giving us the power to think clearly, to learn easily, and to remember what we learn. The Mind of God within us is intelligent and always understands.



What is a tiger? A shy, gentle and persistent animal. Does this sound strange? It's true.

This summary of the nature of a mysterious, beautiful and fascinating animal comes from a man who has spent a year in India observing tigers closely. So closely, in fact, that he once locked eyes with a tiger at a distance of three feet! Nothing happened, nothing at all.

A tiger's life is spent in a quest for food. Though his speed is great it is also limited. His striking power comes in surprising its victim and rushing in for the kill. He is easily outdistanced and when he stalks a victim un-

successfully, he walks away moaning softly. The tiger also possesses great courage, strength and dignity. These are the characteristics we accept and they, too, are true. How do we know this? Because one careful, trained observer, George Schaller of Johns Hopkins University, shares with us in Life Magazine the results of his year's patient watch over the tiger in the forests of Kanha Park. What he has learned may upset your preconceived notions—but you will be spellbound!

A New Concept in Rapid Transit



A world's "first" was recorded in Japan last year when a monorail system was inaugurated for service between Tokyo's International Airport and the heart of Tokyo. The straddle-type trains cover the eight miles in 15 minutes at an average speed of 37 miles per hour. Trains depart from an underground station and emerge on elevated rails along the shores of Tokyo Bay to Japan's capital city. The service is proving popular with tourists and other visitors to Japan.

FIRST BASKETBALL GAME PLAYED TUESDAY NIGHT

The first basketball game for the season was played Tuesday when the Sudan girls' teams met Sundown girls for A and B team games.

Sundown won the B game 42-27 while the Sudan A team was defeated 54-45.

Coach Hank Brown announced that Sudan 8th grade and high school girls will play Three-way here, Tuesday, Nov. 9 beginning at 6:30 p. m.

IOTA ETA CHAPTER HAS HALLOWEEN PARTY

Mr. and Mrs. Donnie Covart were Ghost and Ghouls at their home Thursday night as witches, goblins and other assorted Halloween ghouls gathered for the Iota Eta Chapter of Spelman Sigma Alpha's monthly social.

Charlene Blume was Co-ghostess for the "Masquerade Party." Guests entered thought the "haunted room" into the decorated home where dinner and "witches tea" were served. Prizes were given to the "best dressed". Buddy Pickett won first, Noel Lumpkin, second, and Frances Pickett, third. A Fortune-teller was "flowa in" for the occasion and fortunes were told throughout the evening.

Members and husbands present were Messrs. and Mesdames, Dan Wood, Ronnie Fisher, Noel Lumpkin, Galye Brown, Buddy Pickett, Dexter Baker, Bob Taylor, Eldon Nichols, Emory Blume, Martha Maddham and Charlene Baker.

Mr. and Mrs. Bob Masten and Valda Bishop were guest.

My Neighbors



"Awright, now—step forward—we know that one of us is the patient here."

PUGGY



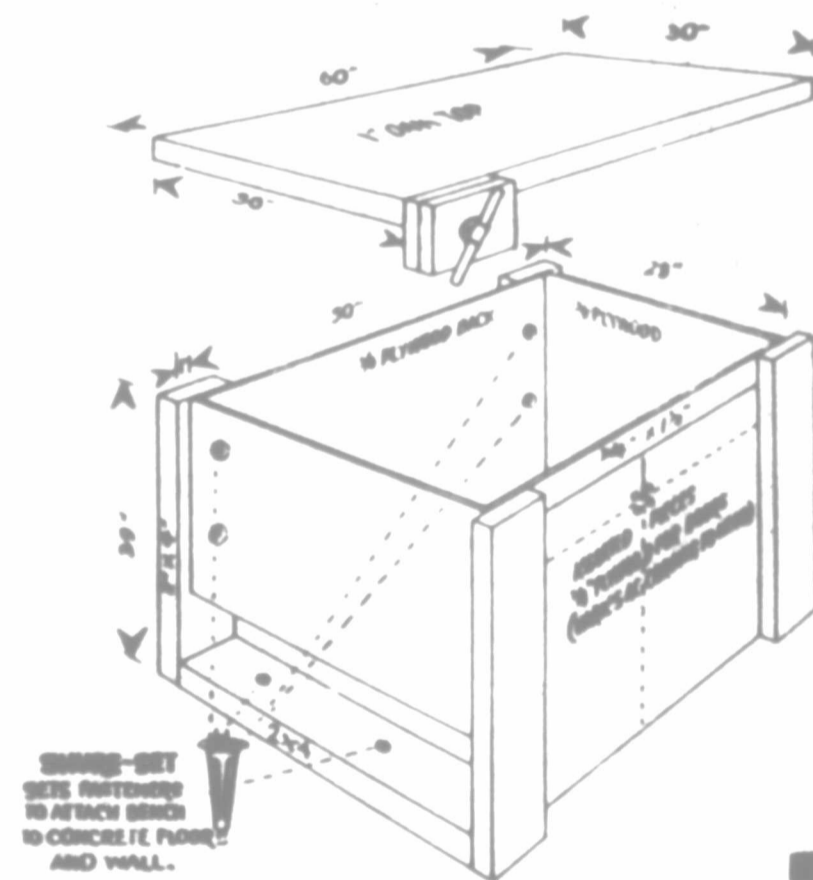
THE FIZZLE FAMILY



AT FASTEN ING NEWS

BY RUDI ROSATI

Build Your Own Workbench



A well-designed workbench is the basic requirement of any home workshop. And few things are as satisfying or as practical as building your own — it's not as difficult as you might think with planning and the proper tools.

Make your bench rugged, and most important, functional. Length and width depend on needs and available working space; 30 x 60 inches is a good size for most small workshops. To reduce stepping, the bench top should be just as high as the top of your hip bone—about 29 inches if you're of average height.

First thing—have the following pieces cut to size: four legs, 2 x 4 x 30; two horizontal braces, 2 x 4 x 28; bench top, 30 x 60 x 1 inch (oak or maple); two 1/2" plywood sides, 28 x 29; back, also of 1/2" plywood, 40" x 29; top bracing strip, 1/2 x 1 1/2 x 40"; assorted pieces of 1/2" plywood for doors and shelves.

Construction begins with the frame—where the strength is. Space each pair of legs at the bottom with a horizontal 2 x 4

cross member, use clamps to align and hold the legs and braces in place while drilling. Before bolting, glue all joints. Result: two solid square "u" supports.

Attach the plywood back to the 2 x 4's—flush with the top—with glue and nails or screws. Then attach the unit directly to the concrete floor and wall to add considerable strength to the bench and eliminate any possible wobbles. This task is quite simple when you use a fastening tool called Shure-Set. This versatile tool will drive steel fasteners through the two 2 x 4 inch horizontal braces into the concrete floor—and through the rear legs into the concrete wall—with the ease of forcing nails through wood. Available at hardware counters, the Shure-Set tool concentrates tremendous force on the fasteners and eliminates drilling—not to mention the cost of togglebolts, shields and plugs necessary with ordinary installation techniques.

Diagonal bracing is achieved by attaching the plywood sides flush with the top of the legs, with glue and nails or screws. Now place the top bracing strip across the front gap between the two "u" supports and screw in place. The simple and strong bolt joint can be used in all cases.

The bench top should overhang the lower framework by 2 inches in front and 6 inches at the ends, to let you clamp work to the bench and to provide space for a vice. A pair of 1/2" plywood doors with deep channels—which screw out to make their contents easily accessible—use fastened with continuous hinges for strength.

Give Them Out 1944 Bales

Lamb County's cotton bales are being given out to the needy in the county. The work is being done by the county's cotton baling plant. The bales are being given out to the needy in the county. The work is being done by the county's cotton baling plant. The bales are being given out to the needy in the county. The work is being done by the county's cotton baling plant.

NEW MEXICO STATE-TECH BASKETBALL

Both teams helped to celebrate homecoming last weekend. Texas Tech blasted Rice 27-0 while New Mexico triumphed over NMU 41-4. Texas Tech, second only to Arkansas in the SWC race, a-looked its formula of winning just the close ones, by scoring twice in the first quarter against Rice as 43, 35 fans watched last week.

BASKETBALL CLINIC TO BE HELD SATURDAY

Area high school and junior high cage coaches are invited to Texas Tech's Basketball clinic in the Lubbock Coliseum Saturday. A registration fee of \$2 will cover lunch and admission to the Texas Tech-New Mexico State football game Saturday night. Lecturing will be Lew Henson of Hardin-Simmons, Jim McGregor of New Mexico State, Gene Gibson and Charley Lynch of Texas Tech. The clinic begins with registration at 9 a. m.

are coming up short. This factor can be attributed to the cooler nights that prevailed throughout the growing season. Atan did not say how the cotton was cleaning, but indicated it was below last year.

PERSONALS

Mrs. Justice May continued with a bridge club meeting Thursday afternoon when these present included guest, Mrs. Glenn Goswood, and members, Mrs. Van Patterson, Mrs. Cleo Bidwell, Mrs. Joy Hager, Mrs. Cleo Whitmore, Mrs. E. E. Scott, Mrs. Marshall Old, Mrs. Wallace Goslin.

Weekend guests in the home of Mr. and Mrs. E. L. Martin of Los Angeles have been visiting in the home of her brother and family, Mr. and Mrs. Harlan Ross. The Martins were here to attend the funeral services of her father, W. A. Ross.

Mrs. Jack Landon of Muskogee visited Friday with Mrs. W. V. Terry.

Weekend guests in the home of Mr. and Mrs. Guy Walden included her brother and family, Mr. and Mrs. Charles Douglas, of Amarillo, and her sister and husband, Mr. and Mrs. Pete Peterson of Tucuman. The Waldens and their guests attended the Tech-Rice game Saturday night.

Mrs. S. D. Hay attended a state Historical Society meeting during the weekend in Odessa. She accompanied Mrs. Tommy Mathews, Mrs. W. D. T. Story and Mrs. Roy McQuarters of Littlefield.

Mr. and Mrs. W. V. Terry and Mrs. W. H. Lyle attended the Tech-Rice Game Saturday evening. They visited with Mr. and Mrs. Bowen Dulaney of Houston who were there for homecoming. Mrs. Dulaney is the former Dorothy Miller formerly of Sudan. The Dulaneys have a son attending Tech.

Mrs. W. V. Terry entertained with a bridge club meeting Thursday afternoon. The Halloween motif was used for decorations and pumpkin pie and whipped cream was served.

Mrs. W. E. Hancock placed high for club members and Mrs. Doyle Watkins for guests. Mrs. Guy Walden won bingo. Present were guests, Mrs. Wayne Brown, Mrs. R. S. Gatewood, Mrs. Watkins, Mrs. Jack Riley, and members present were Mrs. W. H. Lyle, Mrs. F. M. Smith, Mrs. C. M. Furneaux, Mrs. Hancock, Mrs. Walden, Mrs. E. E.

Christmas Mail

Christmas packages going to overseas destinations should be mailed not later than November 10 with a deadline of November 1 to certain areas, E. C. Minyard Sudan postmaster announced. November 10 is the deadline for mailing of packages going to Europe, and Central and South America to have them arrive at their destination prior to Christmas.

Crossword Puzzle

ACROSS
1. Bird
2. Musical instrument
3. Public place
4. Chilled
5. Appointed
6. Asian country
7. Common name
8. Write
9. Windy plant
10. Affirmative
11. Refreshed
12. Spur
13. White
14. Up
15. Electric unit: abbr.
16. Lower leg
17. Name
18. Nymph
19. Old job
20. Go through
21. Implore
22. Mile
23. True
24. Small child

DOWN
1. Stopped
2. Feels indignant
3. Skilled person
4. Cave form
5. Ocean's rise and fall
6. Level
7. Scarlet
8. Take precedence
9. Snoopers
10. Warned
11. Girl's nickname
12. Insect

19. Twist together
20. Gab: slang
21. Separate
22. Female sheep
23. Caves
24. Sport
25. Angry
26. Shallow
27. Cut
28. Insane
29. Wrinkle
30. Logging
31. Tendency
32. Moroccans
33. Genuine
34. Golden
40. Singles
41. Sainte: abbr.
42. Human beings
43. Average
44. Time period

Answer to Puzzle

Crow, Mrs. J. S. Smith, Mrs. Bob Drake.
Mr. and Mrs. R. C. Williams visited during the weekend in the home of his sister and family, the Donnie Polks of Whitharral.
Mr. and Mrs. Sam Smith of Hereford visited during the weekend with their daughter, Mrs. Glyn Williams and family.
Carl Miller of Amarillo was a Sudan business visitor Monday.

PATTI PAGE IS SCHEDULED FOR a Dean Martin Show in February. Sam Jaffe, who left his Dr. Zorba role in Ben Casey, has been cast as a blind watchmaker in a segment of Daniel Boone. Fabian will appear with him, playing a city boy out West. Don Adams, NBC's bumbling detective in Get Smart!, has signed a recording contract for comedy routines. Nicholas Surry, Rise Stevens' son, will be in "The Man from Quailia" on Ben Casey. Mark Richman, star of the old Cain's Hundred, turns traitor in a segment of The FBI. He plays a man involved in a plot to sabotage war material destined for Vietnam. James Whitmore plays a former Civil War officer in a segment of The Virginian.

TODAY AND TOMORROW BY RALF HARDESTER

Gene Kelly and Gower Champion appear in the CBS special "New York, New York," February 14. Red Skelton signed Nancy Wilson for his April 12 show. Arthur Franz is now a doctor in the daytime Nurses. Meanwhile, Joseph Campanella, who used to be a doctor when The Doctors and the Nurses was nighttime, is in "Set Fire to a Straw Man" on The Fugitive. Old-timer Charlie Ruggles will appear in The Munsters as a clerk who issues Herman Munster a garbage-truck-driver's license. Garry Conway, Amos Burke's assistant last season, kicks off as a professional football player in a Long, Hot Summer episode. Nelson Riddle has been signed to do the musical score for a Loner episode.

BARBARA RUSH VISITS DR. KILDARE as the wife of a film star (played by James Daly) who fears for his health. Tallulah Bankhead, Dick Chamberlain, Hayley Mills and Judy Garland have signed for The Andy Williams Show. Frank Sinatra hosts The Hollywood Palace on October 16. Count Basie, who did a concert tour with Sinatra last summer, will be on the bill. So will Peter Gennaro and Jack E. Leonard. Jeanette Nolan, a member of Dick Boone's old TV repertory company, has been cast in a Laredo episode. She plays a widow who is searching for a fortune in gold. John Saxon is a Sicilian rogue on a Bob Hope dramatic episode. The producers of Please Don't Eat the Daisies are sending the show's star canine, a shaggy dog named Ladadog, on a personal appearance tour, just like the human actors.

©1965 by Triangle Publications, Inc.—TV GUIDE

HEADING HOME



It took a 444-foot-long steel culvert to give these cows safe passage from their pasture back to the farm. The New York State Department of Highways had the culvert built under a new interstate highway that cut through a farmer's land near Syracuse, New York.

Mrs. Willie Hazel returned home Saturday from a hospital in Lubbock where she had been confined with injuries she suffered in an automobile accident.
Dr. and Mrs. E. N. Nichols and Bobby of Lubbock visited Sunday with his mother, Mrs. J. S. Smith.

Mrs. E. C. Minyard has returned home after being confined in a hospital.

Mrs. Albert Gentry has been confined to the hospital in Amherst.

Hal Cardwell is a patient in the Veteran's Hospital at Big Springs.

USED CAR
HOW DID YOU GROW SO LARGE JUST EATING PEANUTS
YOUR CAR PROBLEMS ARE ONE SINCERE CONCERN

BACCUS CHEVROLET
BOX 396 227-3501
SUDAN, TEXAS
IF YOU DON'T KNOW USED CARS KNOW YOUR DEALER

COMPLETE STOCK OF
IRRIGATION ENGINE
AND IGNITION
PARTS
G & C Auto Supply
Phone 227-3212 SUDAN

This way to ONE-STOP BANKING

The First National Bank of Sudan
Member Federal Deposit Insurance Corporation
All Deposits Insured Up To And Including \$10,000.00
DEPENDABLE BANKING SERVICE FOR OVER 42 YEARS
OLDEST BANK IN LAMB COUNTY

DAIRY BEE DRIVE-INN
HAMBURGERS--FOUNTAIN SERVICE
ICE CREAM
Basket Lunches----Sandwiches
MR. AND MRS. TED WALKER, PROPS.
PHONE 227-3892

B. F. GOODRICH
TRAILER TIRES
All 6-ply Rating--
900 x 14 Farm Imp. \$15.95 plus tax
800 x 14 Farm Imp. 14.95 plus tax
760 x 15 Farm Imp. 13.95 plus tax
670 x 15 Farm Imp. 12.95 plus tax
900 x 14 Recaps 6-ply 9.95
900 x 14 Recaps 4-ply 8.95
15-5-38 Tractor Tire 95.95 plus tax

SUDAN TEXACO
Phone 227-4361
2-WAY RADIO KKV 8274 Channel C

FOR A LIMITED TIME
FORT WORTH STAR-TELEGRAM
TOPS IN TEXAS
REDUCED Mail Rates
\$15.95
\$13.50
BY MAIL IN TEXAS, OKLA., ARK., N. MEX. & LA. ONLY
This state only... more regional news... more national news than any other Texas newspaper. Reading enjoyment for every member of the family. The Star-Telegram is a great STATE newspaper. Subscribe now and save.
(Special Additions Available at Full Rate)

Send all mail to the Star-Telegram today, at the Year Structures Agent.
FORT WORTH STAR-TELEGRAM
405 W. 7th, Fort Worth, Texas 76102
One checked to check or money order for \$
 Monthly With Sunday Monthly Without Sunday
NAME _____
ADDRESS _____
CITY _____ STATE _____ ZIP _____

TELL ME
WHICH WAS INVENTED FIRST, THE FORK, SPOON OR KNIFE?
WHICH IS THE LARGEST LAKE IN THE WORLD?
WHERE IS THE WORLD'S HIGHEST WATERFALL?
WHAT IS THE "TREE OF LIFE" IN THE PHILIPPINE ISLANDS?

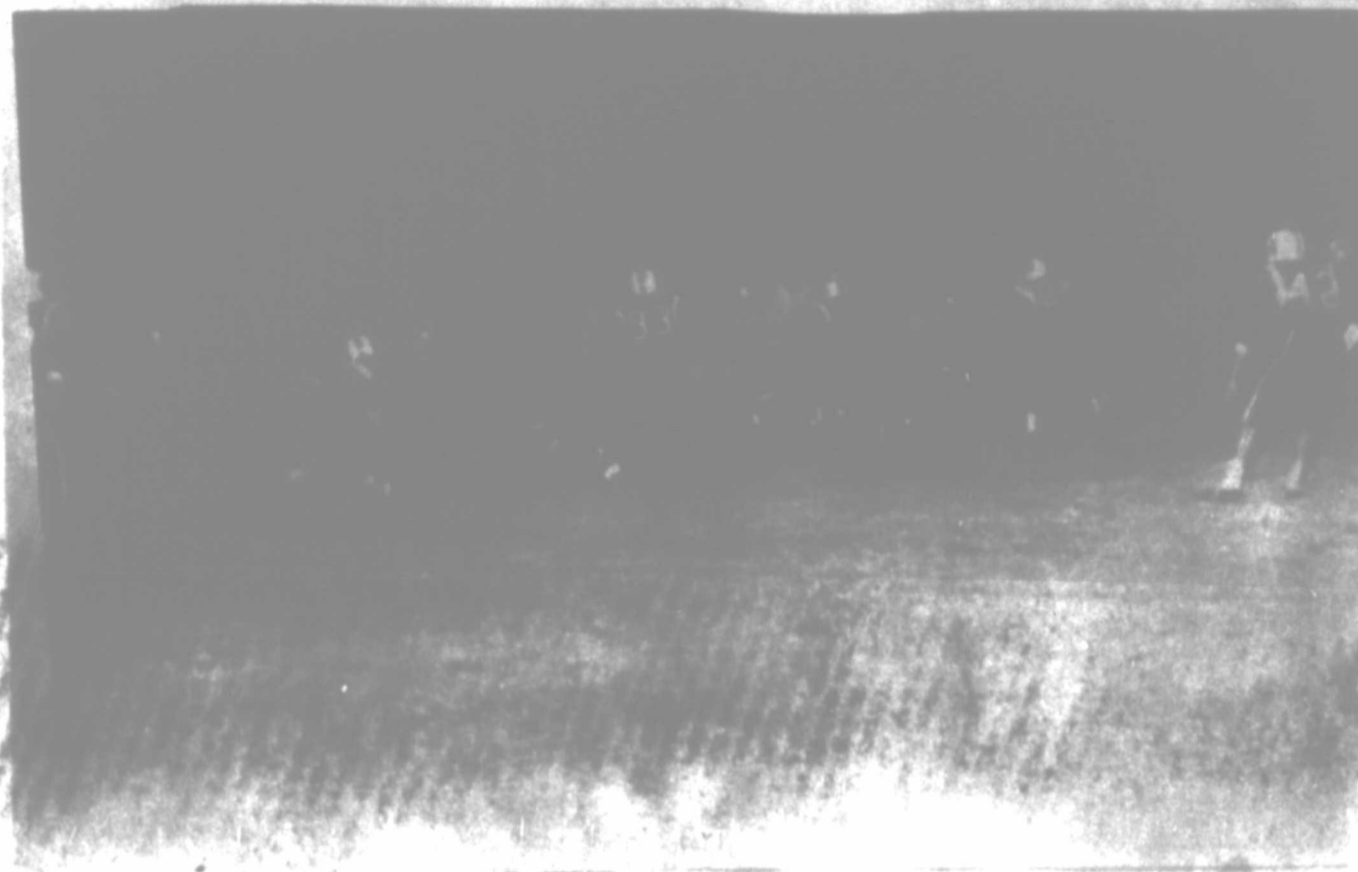
THE SPOON WAS INVENTED FIRST, BY THOUSANDS OF YEARS, TO ENABLE MAN TO PICK UP HOT LIQUIDS! SPOON-LIKE UTENSILS FROM THE REMOTE STONE AGE PERIOD HAVE BEEN UNearthed!

THE CASPIAN SEA IN ASIA AND PARTLY IN EUROPE! ABOUT 70,000 SQ. MILES... THIS HUGE LAKE IS OVER 5 TIMES AS LARGE AS LAKE SUPERIOR IN NORTH AMERICA.

ANGEL FALLS IN EASTERN VENEZUELA! THEY DROP FROM A CLIFF MORE THAN 1/2 MILE AND ARE 1/8 THIN! HIGHER THAN MARGARA FALLS!

THE COCONUT PALM! IT SUPPLIES FOOD, CLOTHING, DRINK, BUILDING MATERIALS, CORDAGE AND FISHING LINES!

WE'RE BACKING THE HORNETS



LET'S GO HORNETS - Although the underdog of last Friday's game, the Sudan Hornets kept fighting against the powerful Kress line as portrayed in the photo above. (Staff Photo)

1965 FOOTBALL SCHEDULE
Sudan High School

0	PLAINS	34
6	FRENSHIP	8
8	AMHERST	14
0	SUNDOWN	22
34	NAZARETH	20
OCT. 8	8-OPEN	
8	SPRINGLAKE	56
9	SILVERTON	6
62	KRESS	7
Nov. 5	-at FARWELL*	
Nov. 12	-HALE CENTER here*	

* Denotes Conference Games
Conference Games start at 7:30
All Others Start at 8 p. m.

Sudan At Farwell
7:30 P.M. FRIDAY

JUST TAKE A LOOK AT THE NAMES
OF ALL THESE
SUDAN HORNET BOOSTERS

GO!



Frank Rone, Gulf Dist.	Sudan Beacon-News	Stuart's Flowers
The First National Bank	Sudan Texaco	Whiteaker Insurance
Provence & Son <i>Blacksmith & Welding</i>	Yvette's Beauty Shop	Western Mills
Bowman Insurance Agency	Dood's Barber Shop	Sudan Motor Co.
City Barber Shop	Central Compress & Whse	Fairview Gin
Dairy Bee Drive In	Jordan-Douglas Implement	Bulloch Variety
G & C Auto Supply	Harlin Radio & TV	Reed's Shamrock Service
Tom Henderson Grocery	Brownd Implement Co.	Doty's Garage
Farmers Co-op Gin	Melson Cleaners	Heard's Grocery
Lumpkin Foods	Feeder's Grain, Inc.	Nichols Oil Co. <small>Feedings '55</small>
OK Tire Service	Lamb County Butane Co.	F. O. Masten <small>Don't Forget</small>

SHURFINE SALE
OCTOBER 25 thru
NOVEMBER 6, 1965



COUNTRY STYLE—Mrs. Evah Doty, Noel Lumpkin, Cecil Aills, Elray Rasco and W.D. (Dub) Nicowarner dressed for the Shurfine Country Style Sale.

NOW! EXCLUSIVELY FROM SHURFINE!



COUNTRY MUSIC CLASSICS OF ALL TIME FAVORITES AND CURRENT HITS FROM COLUMBIA RECORDS...! SPECIAL \$1.00 WHILE THEY LAST... only

SHURFINE GREEN BEANS 5 303 CANS \$1

SHURFINE REGULAR-DRIP COFFEE LB 69¢

SHURFINE 303 CANS FRUIT COCKTAIL 4 cans \$1

SHURFINE CATSUP 14 oz. bottle 5 for \$1

SHURFINE CHUNK STYLE TUNA 6 1/2 OZ. CAN 4 for \$1

SHORTENING 3 SHURFINE Lb. Can 69¢

SHURFINE Ass't'd Flavors 18 oz. Glass PRESERVES 3 for \$1

SHURFINE YC Halves OR YC Sliced PEACHES 2 1/2 can 4 cans \$1

SHURFINE Early Harvest PEAS 303 can 5 cans \$1

SHURFINE PUMPKIN 300 can 8 cans \$1

SHURFINE Sliced BEETS 303 can 7 cans \$1

SHURFINE Fresh Shelled BLACKEYES 300 can 7 cans \$1

SHURFRESH MARGARINE 5 Lbs. \$1

SHURFRESH Buttermilk or Sweetmilk BISCUITS 13 cans \$1

SHURFINE WK Golden CORN CS 303 can 6 cans \$1

SHURFINE FROZEN BROCCOLI SPEARS 10 OZ. 4 for \$1

SHURFINE Frozen Hash Brown POTATOES 2 lb. pkg. 3 for \$1

SHURFINE Evaporated MILK 8 Tall Cans \$1

QUALITY MEATS

SPECIALS FOR FRIDAY AND SATURDAY

BACON Bar-S LB. 69¢

CLUB STEAK LB. 69¢

BAR S SPICED Luncheon Meat LB. 49¢

WATCH FOR BIG BAR-S Jambone SPECIALS Canned HAM BAR-S FULLY COOKED 3 LB. CAN \$2.59

Bar-S FRANKS LB. 59¢

SHURFINE 46 oz. Can TOMATO JUICE \$1

SHURFINE STUFF THIR. MANZ 7 OZ. OLIVES 2/\$1

SHURFINE 303 SAUERKRAUT 6 cans \$1

SHURFINE 25 LB. PRINT BAG FLOUR \$1.79

SHURFINE 10 LB PAPER BAG FLOUR 79¢

SHURFINE 300 can PORK & BEANS 9/\$1

SHURFINE WHITE OR CHOCOLATE 13 1/2 OZ. FROSTING MIXES 4/\$1

SHURFINE QUART WAFFLE SYRUP 2/79¢

SHURFINE 20 OZ. APPLE BUTTER 3/\$1

SHURFINE 303 CAN APPLE SAUCE 6/\$1

SHURFINE 24 OZ. GRAPE JUICE 3/\$1

SHURFINE ASST'D. FLAVORS 19 OZ. CAKE MIXES 4/\$1

SHURFINE CRUSHED NO. 2 CAN PINEAPPLE 4/\$1

SHURFINE ALL GREEN CUT 300 can ASPARAGUS 4/\$1

SHURFINE 12 OZ. LUNCHEON MEAT 39¢

SHURFINE R.S.P. NO. 303 CAN CHERRIES 5/\$1

SHURFINE WHOLE NO. 3 SQUAT CAN SWEET POTATOES 3/\$1

SHURFINE WHOLE 303 CAN IRISH POTATOES 7/\$1

SHURFINE 12 OZ. PEANUT BUTTER 3/\$1

SHURFINE RED ALASKA SALMON 14 OZ. 89¢

SHURFINE TOMATOES 303 CAN 5/\$1

SHURFINE GRAPE JELLY 16 OZ. 3/\$1

SHURFINE SUCKERS 34 CT. 19¢

SHURFINE CUCUMBER CHIPS 4 14 OZ. JAR \$1

SHURFINE PEARS Halves Bartlett 303 can 4 cans \$1

SHURFRESH CHEESE SPREAD 2 Lb. 69¢

FRUITS & VEGETABLES

SPECIALS FOR FRIDAY AND SATURDAY

BANANAS LB. 10¢

ONIONS LB. 5¢

Grapefruit RUBY RED 3 FOR 25¢

POTATOES 8 lb. BAG 39¢

SHURFINE PINEAPPLE JUICE 46 oz. can 3 for \$1

LUMPKIN FOOD STORE

SHOP AND SAVE...AND GET STAMPS TOO!

FREE DELIVERY 30 DELIVERIES ON WEDNESDAY

DOUBLE FROSTIER STAMPS ON WEDNESDAYS WITH PURCHASE OF \$2.50 OR MORE

SHURFINE SALAD DRESSING Quart 39¢