

# The Merkel Mail

Thanksgiving Day, 1985 ... Merkel, Texas

Our 97th Year

## Local gins over 3,600 bales so far

A little over 3,600 bales of cotton have been ginned at the Farmers Co-Op Gin here and at Planter's Gin in Trent.

Mrs. Red Shafer at the Trent Gin told **The Mail** Monday they had ginned a little over 1,900 bales and had 13 modules on the yard each containing about 9 bales. Mrs. Shafer said they would have a lot more cotton on the yard as soon as the weather dries up and said cotton grades had been holding their own.

Bennet Massey at the Farmers Co-Op Gin here told **The Mail** Monday they had ginned 1,700 bales and had about 10 bales on the yard but said he expected a lot of cotton on the yard Monday night.

He said most of the local cotton had been grading between 42 and 52 cent averages and the gin was running well.

Dry weather that prevailed during the past week allowed cotton farmers to resume the 1985 cotton harvest in the Abilene area. Most of the defoliated cotton had already been harvested in some areas, so harvesting was resumed on a limited basis. However, harvesting and ginning was heavy in the western areas of Glasscock, Howard, and Martin Counties. A light freeze early in the week only partially defoliated cotton in some areas.

About 53,000 cotton samples were classed at the USDA Cotton Classing Office in Abilene during the week ending November 21; according to Area Director B.B. Manly, Jr. This brought the seasonal total to 157,000 samples classed.

Local cotton prices were mostly steady during the past week in inactive to mostly slow trading. Grade 42, staple 32 cotton miking 30 to 32 sold at 3/4 to 1-1/2 cents per pound over Commodity Credit Corp. loan rates. Typical qualities of area cotton sold at physical prices mostly 47 to 51 cents per pound. Demand ranged from moderate to mostly light depending upon quality. Grades 42 and 52, samples 31 and 32, with mike 30 to 32, and strength 23 or higher was in strongest demand. Demand was light for grades higher than grade 32, for staples 30 or shorter, and also for code 85 cotton.

Cottonseed prices paid producers ranged widely from 50 to 80 dollars per ton with a higher volume than usual being sold as feed for livestock.

Cotton classed by USDA from the Abilene area has been about 90 percent light-spotted grades and about 9 percent white grades this season. Grade 42 has been predominant at 46 percent, followed by grade 52 at 33 percent. About 36 percent of the samples classed were reduced by at least one grade for bark or grass content. Fiber length was 27 percent staple 33, also 27 percent staple 32, and 22 percent staple 31; with 32.4 being the average staple. Micronaire readings were 90 percent within the 35 to 49 range, averaging 39.2. Grams per tax strength readings of HVI classed cotton have averaged 23.5 for the season.

## Beights, Newberry named all-district

Kelly Beights and Stacey Newberry were named to the 6AAA All-District Volleyball team, first team, coach Rhona Rainwater announced last week.

Newberry is a junior and Beights is a senior this year.

Named to the second team from Merkel were Amy Irvin, Michelle Woodard and Sherry Riney.



Earl Laird of the Badger Booster Club [Right] presents MISD superintendent Bill Everett with a plaque in memory of Former Merkel High Football Coach Al Mitts. The plaque contains the names of local families who contributed for the cost of installing the lighted marqui at the school in the coach's memory. [Staff photo]

## Lions buy Merkel Room

The Merkel Lions Club has delivered their check for a Merkel Room in a project sponsored by the Junior League of Abilene and the Hendrick Development Corporation for \$2,500.

The club not only voted to sponsor its own Merkel Room, but decided they would underwrite a local effort to raise an additional \$2,500 for a second Merkel Room.

The rooms will be available to immediate family members of Hendrick Medical Center patients. The hotel like environment will be provided free of charge, but donations from people using the rooms will be encouraged.

The Hendrick Development Corporation, with assistance from the

Junior League of Abilene and Independent American Savings of Texas, are asking communities around Abilene to sponsor rooms.

The Merkel Lions Club presented their check recently and said they would "Also make up the difference between money raised locally and the needed \$2,500."

People wishing to make contributions to the fund are asked to contact any Lions Club member or Independent American Savings here.

The Lions will also be sponsoring a community blood drive at Heritage Hall Dec. 4th from 7:30 a.m. until Noon.

## Perry, Jowers lead all-district picks

The Merkel Badgers made a good showing in the recently announced all district football team.

Senior Lance Perry was named as first team offensive center and Freshman punter Kenneth Jowers was named first team punter.

Named to the second team were running backs Dean Franklin and

Shayne Newberry; offensive tackle Chris Reyna and tight end Justin Amerine.

Also named to the offensive team was Douglas Taylor a guard.

Named to the second team defense were tackle Cris Reyna and Justin Amerine, linebacker Douglas Taylor and James Wright of the defensive secondary.

## Christmas Fair set for Dec. 7th & 8th at Heritage Hall

The Merkel Chamber of Commerce will host Christmas Fair '85 Dec. 7th and 8th at Heritage Hall.

The fair will start immediately following the Christmas parade, which is set for 10 a.m. Dec. 7th.

The Christmas Fair '85 will feature booths from Merkel and area merchants and hand made items. A doll show will be included and Heritage Hall will be decked with Christmas decorations, and at least two Christmas trees.

Booths are available at \$10 each and reservations can be made by

contacting the Chamber office Marilyn Tittle.

Refreshments will be available and there will be no admission charged. Money raised by the Chamber from the event will be earmarked for future Merl Christmas decorations.

Santa Claus from the parade will also be on hand and available for pictures with your child. Iris Amerine will be shoot pictures and butoons and 5 X 7 in time for Christmas, will be available.

## MISD board approves prom, sells lots, considering land proposal

The Merkel School Board met last Thursday at the Big Country Inn and approved a plan to allow a Junior Senior Prom to be sponsored by the school each year.

The board also accepted some bids on lots the school is selling in the Bettis Heights Addition of Merkel and tabled a proposal from Our Mother Of Mercy Catholic Church who wants to sell their property adjacent to MISD to the school.

In a 5-2 vote, board members voted to allow one school sponsored prom each year for a Junior-Senior prom. The prom will be the first school sponsored dance by MISD.

In other action, board members tabled a proposal from Our Mother of Mercy Catholic Church, who want to sell their adjacent property and buildings to MISD for \$100,000. Board members voted to table the proposal and set up a committee to look into the possibility of purchasing the property. Board member Greg Henderson is chairman of that committee.

The board did accept bids on some lots in the Bettis Heights Addition the school acquired many years ago in delinquent tax suits. Staff members accepted bids from Bobby & Delisa Webb of \$1,500 for Lot 4, 5 & 5, Block M, Bettis Heights.

The board also accepted a bid of \$1,026 from Lee Vinson on three lots in Block D of Bettis Heights.

The board also accepted a bid of Edgar Graham on Lots 1 & 2, Block P in Bettis Heights. That bid was in the amount of \$850.

The board also rejected two bids on lots. The first bid rejected was for \$211 for Lots 1, 2, 3, 4 & 11 in Block S of Bettis Heights and a bid of \$231 for Lot 11, Block N of Bettis Heights. No bid was received on Lots 7, 8 & 9 of Block M in Bettis Heights.

The board is re-advertising some lots for sale in this week's **Mail**. The bids will be accepted at the superintendent's office until 2 p.m. Dec. 13.

Board members also approved the textbook committee for the 1986-87 school year. Members of that committee are: Tye Elementary- Kathy Banks, Patti Greer and Shirley Newland; Merkel Elementary- Lillie Braune, Kathy Choate, Kaye Lynn Dearing, Jane Roberts, Barbara Sandusky and Patty Sims; Merkel Middle School- Lisa Britt, Monica Irwin, Teresa Lambeth, Sally Odenwald and Shirley Williamson; Merkel High School- Gayle Baker, Vicki Brady, Karrie Doctor, Richard Hill, Adrain Hood, J. T. Naron, Rhonda Rainwater, Joan Walker and Dana Yancy.

The board also placed a \$1,500 minimum payment for teachers who qualify for career ladder bonus. The board also decided to equally distribute state funds over and above the minimum \$1,500 per teacher received from the state.

The board also heard the annual audit report from Condley & Company for the 1984-85 school year.

MISD superintendent Bill Everett told **The Mail** "It was a very good audit report and shows MISD to be financially healthy, for the time being. Without changes from the Texas Legislature on school funding, all Texas school districts will be in trouble in the next 3 to 4 years. We are about to spend \$500,000 in the next two years adding on to the high school and middle school, and probably a couple of rooms at Tye Elementary and that will take a large chunk of our surplus funds."

He added "The audit did show we are just a little behind in collecting school taxes. We have collected about 90 percent of current taxes with \$106,887 left unpaid. Total delinquent taxes for

the district are \$609,000. Everett said the statewide average collection rate was about 94 percent with smaller communities averaging 92 percent. MISD's collection rate is about 90 percent.

In other action, board members voted to:

† Approve payment of bills totaling \$160,068.08;

† To amend the budget for Federal Vocation Funds in the amount of \$8,026.00;

† Approved the Annual Performance Report for the 1984-85 school year;

† To continue to allow food, drink and tobacco in the gym with signs asking people to 'Please be careful';

† Approved the high school "Curriculum Catalogue" for the 1986-87 school year;

† Approved permission for the band to participate in the 100th

Anniversary parade for Coca-Cola in Atlanta. The band will have to apply and be selected to participate and travel expenses are to be paid for by the band if they are accepted for the parade;

† Accepted the resignation of Becky Taylor, a high school English teacher.

The board also approved bids in conjunction with the construction of an 8 classroom addition to Merkel High (that will be the Freshman Wing (Already named The Aquarium by High School students)

The board accepted the bid of Acme Bricks of \$6,013.80 Accepted a bid of \$32,978.05 from DeLa Cruz for foundation work and a bid of \$24,990 from Amerine Mechanical for air-conditioning and heating the new building.

The board will hold their next meeting Dec. 13th.

## Boys open season with two wins

The Merkel Badgers boys varsity basketball team opened their season with a couple of wins last week.

The boys, led by Milo Harris, crushed Anson 72-42 and then beat Sweetwater here Saturday night 46-43.

In the Anson game, Anson jumped to a 14-10 first quarter lead but the Badgers came back strong scoring 18, 18 and 26 in the remaining three quarters.

Milo Harris led the way with 23 points, hitting 57 percent of his shots from the field and 78 percent from the free throw line. He also led the team in rebounds with 8. Matt Cain had 16 points and 7 rebounds and Shayne Newberry had 10 points and 7 boards.

The team hit 53 percent of its field shots in that contest played here last Tuesday.

The Badgers hosted Sweetwater here Saturday and had an off night according to coach Skip Townsend. The Badgers did take a 46-43 win as 6'1" sophomore Ted Seymore led the way with 13 points. Seymore hit 48 percent of his shots from the field and 75 percent of his free throws.

Townsend told **The Mail** We had

a bad night, didn't look good at all but we came out with a win. I had 13 kids in the game that night and we got a lot of help off the bench from Alfred Flores who had 9 points and 8 rebounds."

This week, the Badgers host Loraine here Tuesday (details not available at press time); will take a break for the Thanksgiving Holidays, and then travel to Loraine next Tuesday night. Next weekend, the Badgers will be in the Hawley Tournament and will play three rough basketball teams in that tournament. The Badgers will face Eula in the opening game, then play Hawley and Wylie. Coach Townsend thinks the tournament will "show us how good we are" because of the tough competition.

Townsend said "We have 13 good kids on the varsity. They are good students, they were raised well and have real good parents. I really think we have the talent to play with anyone around this year. We still need to gain a lot of confidence. We will also be getting our best outside shooter, Ramon Moreno, back in the line-up next week (He was injured in the Clyde-Merkel football game).

## Council ok's Christmas Fair, alley bid

The Merkel City Council gave formal approval for the Merkel Chamber of Commerce's Christmas Fair at Heritage Hall and awarded an alley cleaning contract to Pace Construction.

Council took those actions at their regular meeting held at the Merkel Emergency Medical Service Building Monday night.

Ann Payne, representing the Merkel Chamber of Commerce, asked for and received permission for vendors to set up booths at Heritage Hall Dec. 7th and 8th.

The event will raise money for Christmas lights for the Merkel water tower.

A council policy states each event "for profit" at Heritage Hall must have prior council approval. Non profit organizations do not come under that policy.

Merkel city manager J. A. Sadler told councilmen "The fair will give a lot of individuals a chance to see what Merkel merchants have to offer."

Mrs. Payne told council "She felt like Merkel needed something to bring the town together at Christmas time."

Council received two bids on an alley clean up project. The project will be funded through the current Community Development Block Grant and the job was awarded to Pace Construction.

Council also gave approval for City Hall to be closed Thursday and Friday for Thanksgiving. There will be no residential trash pick-up on Thursday or Friday. The city landfill will be open its regular hours on Friday and Saturday.

## Christmas Fair ... more

by Cloy A. Richards

A Christmas Fair, sponsored by the Merkel Chamber of Commerce, will be held Dec. 7th and

8th at Heritage Hall. Twenty seven displays for local merchants and arts and crafts will be inside the hall.

Please See Page 2



Gibson's will  
celebrate  
anniversary

Mr. and Mrs. Dent Gibson, Rt. 3, Merkel, Texas, will be celebrating their 65th Wedding Anniversary with a reception held at the First Baptist Church Fellowship Hall on Dec. 1, 1985 from 2:00-4:00. The children of the couple, Mr. and Mrs. L.B. Gibson, Albany, Texas; Mr. and Mrs. Jerry Gibson, Merkel, Texas; and Mr. and Mrs. Clyde Lindsey, Grainola, Okla., will be hosting this event.

The couple were married Dec. 4, 1920 in Fort Worth, Texas. Both have lived in Merkel most of their lives.

Mr. Dent Gibson, before retiring, worked as a machine parts finisher at Bill Helicopter, Ft. Worth. Mrs. Dent Gibson, before retiring worked as a hairdresser for 26 years in Merkel. Both were members of the First Baptist Church. They have 7 grandchildren and 13 great grandchildren.



Mr. & Mrs. Dent Gibson

## Criswell's services held here

Monty Quay Criswell, 68, of Amarillo, died Nov. 14 in Amarillo following a long illness.

Funeral services were held here at the First Baptist Church with the Rev. Jesse Nave, pastor of the Petersburg Baptist Church officiating.

Burial followed at Rose Hill Cemetery here under the direction

of the Starbuck Funeral Home. Born August 31, 1917 in Gustine, he was graduated from Noodle High School. She married Wilber Criswell June 11, 1938 here. He died in 1975.

She has been a member of the Petersburg Baptist Church since 1960.

She is survived by two sons,

Michael of Amarillo and Terry of Houston; two daughters, Brenda Harbert of Amarillo and Carolyn Hearn of Abernathy; two brothers, Lloyd Reece and Floyd Reece, both of Dallas; two sisters, Cleo Reece and Lorene Beard, both of Merkel; six grandchildren and two great-grandchildren.

## Services held for Annie Dishman

Annie Olena Dishman, 69, of Merkel, died Saturday at Hendrick Medical Center in Abilene. Services were held Monday in Starbuck Funeral Home with the Rev. Wayne Keller, pastor of the First Baptist Church, officiating. Burial was in Rose Hill Cemetery.

Born Annie Olena Crawford, March 5, 1916, in Hood County, she married Wright Dishman Dec. 7, 1935, in Merkel. She had been a longtime resident of Merkel and a member of First Baptist Church.

Survivors include her husband; two daughters, Irene Dalton of Wolfforth and Kay Ford of Fort Stockton; a brother, J.C. Crawford

of Midland; three sisters, Mrs. S.C. Keith and Mrs. Claude Thomas, both of Merkel and Mrs. G.N. Leath of Escondido, Calif.; five grandchildren; and two great grandchildren.

## Browning's services held

John Benson Browning, 89, of Merkel, died Friday after a short illness. Services were held at 3 p.m. Sunday at Starbuck Funeral Home with the Rev. Wayne Keller, pastor of First Baptist Church, officiating. Burial was in Rose Hill Cemetery.

preceded him in death. He was a longtime resident of Merkel and a member of First Baptist Church.

A son, Horace and a daughter, Doris, preceded him in death.

Survivors include a son, Billy of Tuscola; a daughter, Mildred Holmes of Pottsboro; a brother, Felix of Gainville; a sister, Lena Winegeart of Sherman; nine grandchildren; and four great grandchildren.

Born June 19, 1896, in Brown County, he married Ruby Tatum, Aug. 22, 1917, in Merkel. She

*Glittering*  
**GIFT BUYS**

**Don't Go To Abilene To Buy**

- ★ Beautiful Hampton Brass
- ★ Ma Lec Wood Items
- ★ Red Mill Molded & Hand Finished Pecan Wood Figurines (Animals & Birds)
- ★ Zolton Lefton ★ Bisque Figurines
- ★ Critters on Chrystals
- ★ A. C. Cutglass ★ Chrome Serving Pieces
- ★ Syrocco Wall Hangings
- ★ Figure of Cork under Glass
- ★ MANY MENS GIFT ITEMS ★
- ★ Bulova Watches
- ★ Spiedel Watch Bands ★
- ★ Gold & Diamond Jewelry Chains ★
- ★ Gold Jewelry with Cubic Zirconia Settings
- ★ WE GIFT WRAP FREE ★

**WATCH FOR WEEKLY SPECIALS**

**Our Prices Are Right**

SOME ITEMS REDUCED FROM  
**1/4 to 1/2 OFF**

**Wilson's Jewelry**

114 Edwards Merkel

## Thanksgiving thoughts ... more

From Page One

The annual Christmas parade downtown will be held at 10 a.m. Dec. 7th and the fair will open following the parade.

The event is being spearheaded by Ann Payne and she would be more than glad to tell you anything else you want know about the fair.

Proceeds from the event will be used to decorate the water tower at Christmas with a tree shaped light display.

This Thanksgiving thought was written by 6th grade Gifted and Talented Class. Members of the class are: Annette Windham, Michelle Ingram, Tanya Beasley, Lillian Leach, Lori Thompson, Cheryl Wood and Chip Browning.

There was a people who came to the New America.

Heritage they brought to their new home land.

Achieving their highest goals, they made it to their destination.

Neighborly Indians helped them through their hardships.

Knowledge for survival the

Indians provided.

Skillfully the Indians helped them through the harsh winters.

Grateful they were when spring arrived.

Improved ways of farming promised a plentiful harvest.

Valient pilgrims had survived many difficulties.

Nurtured by their desires of freedom and their will to survive.

Giving thanks they celebrated with a feast now known as THANKSGIVING.

From the Richards family to yours, we hope you have a happy Thanksgiving, and take time to be thankful that we live in a country that allows us the freedoms of every day life.

City Hall will be closed Thursday and Friday for Thanksgiving.

Also, there will be no city trash pick-ups until Monday.

It's been a long time since I was in Kyle Field watching the Aggies with a chance to win the conference by beating t.u. on Thanksgiving.

I was 12 the last time it happened and I remember the joy in College Station following the win.

Trivial nonsense to some, but the way I figure it, even Aggies should get to celebrate every 18 years or so.

*The children of  
Martha Allison*

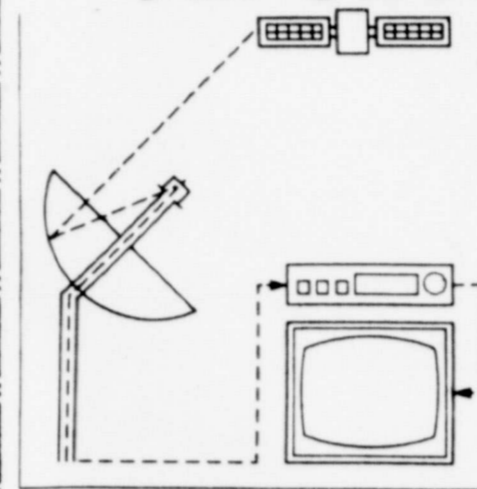
extend to you a personal invitation  
to attend her  
70th Birthday Celebration  
Sunday, December 1, 1985  
two until four o'clock  
Heritage Hall  
Merkel, Texas

*No gifts please*

## 9th Street & Satellite Sales

1207 South 9th Street

★ WE HAVE  
SPECIALS ON ALL  
SATELLITE  
TELEVISION SYSTEMS



The flow of television signals from outer space to the screen of your TV set is controlled and enhanced every step of the way by a Uviden® Satellite Television System.



**99¢**  
2 LITER

★ PURCHASE NOW  
FOR CHRISTMAS

### MERKEL INDEPENDENT SCHOOL DISTRICT Merkel, Taylor County, Texas

#### COMBINED STATEMENT OF REVENUES, EXPENDITURES, AND CHANGES IN FUND BALANCE ALL GOVERNMENTAL FUND TYPES

Year Ended August 31, 1985

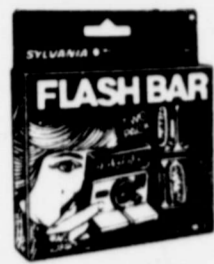
Data Control Codes		Governmental Fund Types		
		10 General Fund	20/30/40 Special Revenue Fund	50 Debt Service Fund
<b>REVENUES:</b>				
5700	Local, intermediate, out-of-state	\$ 1,612,541		\$ 132,608
5800	State program revenues	2,663,452		
5900	Federal program revenues (Note 3)	111,613	64,327	
5030	<b>Total Revenues</b>	<b>4,387,606</b>	<b>64,327</b>	<b>132,608</b>
<b>EXPENDITURES:</b>				
0011	Instruction	2,052,199	63,683	
0012	Instructional computing	55,418		
0022	Instructional resources and media services	63,851		
0023	School administration	224,594		
0025	Curriculum & personnel development	49,554		
0031	Guidance and counseling services	45,725	644	
0033	Health services	17,321		
0034	Pupil transportation - regular	154,539		
0035	Pupil transportation - exceptional children	10,461		
0036	Co-curricular activities	124,719		
0037	Food services	171,302		
0041	General administration	240,344		
0042	Debt services			117,414
0051	Plant maintenance and operations	432,822		
0052	Facilities acquisition and construction	295,206		
6050	<b>Total Expenditures</b>	<b>3,938,055</b>	<b>64,327</b>	<b>117,414</b>
<b>OTHER RESOURCES AND USES:</b>				
5060	Other resources	73,725		
6060	Other use	(113,322)		
7000	<b>Total Other Resources and Uses</b>	<b>(39,597)</b>	<b>0</b>	<b>0</b>
1200	<b>EXCESS OF REVENUES AND OTHER RESOURCES OR EXPENDITURES AND OTHER USES</b>	<b>409,954</b>	<b>0</b>	<b>15,194</b>
0100	<b>FUND BALANCE BEGINNING OF YEAR</b>	<b>741,064</b>	<b>0</b>	<b>22,722</b>
3000	<b>FUND BALANCE END OF YEAR</b>	<b>\$ 1,151,018</b>	<b>\$ 0</b>	<b>\$ 37,916</b>



# Great Values

December

**SPECIALS LIMITED TO STOCK ON HAND  
PRICES GOOD  
THROUGHOUT DECEMBER**



**\$1.99**



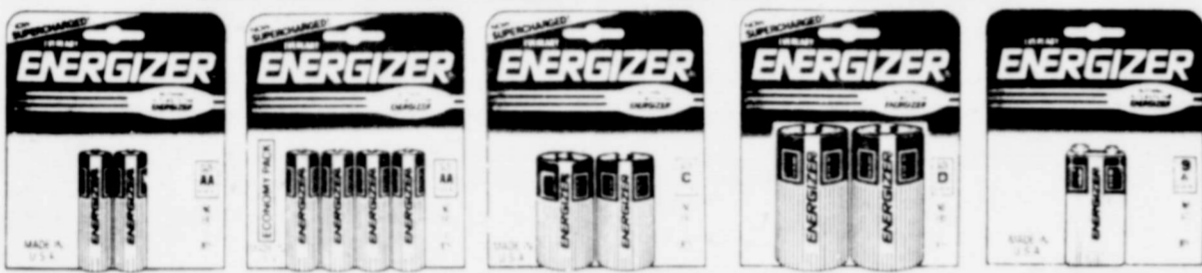
**\$1.49**



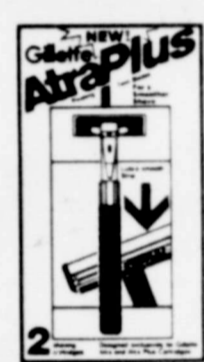
**\$1.49**

Plus \$3.00 Refund on purchase of three Sylvania Flash Products (see display for details)

## ENERGIZER BATTERIES



**\$1.39    \$2.49    \$1.79    \$1.79    \$1.79**



**Gillette  
Atra Plus**  
For a Smoother Shave  
**\$3.19**  
**\$2.19**



**STYLE**  
SHAMPOO  
CONDITIONER  
& HAIR SPRAY  
YOUR CHOICE  
**\$1.29**



**Agree**  
**\$1.49**  
7 oz.



**99¢**



**\$1.49**



**\$1.49**



**Today's**  
3 Pack  
**\$2.59**



**BAND-AID**  
Adhesive Bandages  
**\$1.29**  
20's



**Afrinol**  
Repetabs TABLETS  
**\$2.09**  
12 Tablets



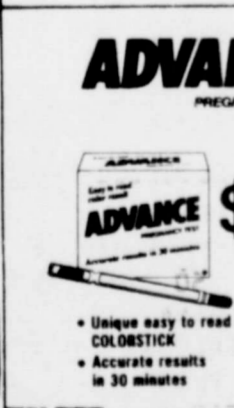
**Cepacol**  
**\$2.19**  
18 oz.



**Esoterica**  
MEDICATED FACE CREAM  
**\$3.89**



**A/D**  
OINTMENT  
**\$1.19**  
1 1/2 oz.



**ADVANCE**  
PREGNANCY TEST  
**\$7.79**  
• Unique easy to read COLORSTICK  
• Accurate results in 30 minutes



**Micatin**  
**\$2.99**  
.5 oz.



**Affinity**  
Shampoo  
or  
Conditioner  
**\$1.69**  
7 oz.

# Merkel Drug

"Where Friends Meet"

121 Edwards

928-5012

## Gillette Good News 5's



Regular or Pivot

Sale Price 1.10  
Less Refund 1.00  
Final Cost 10¢

To receive your \$1.00 refund:  
Cut the proof-of-purchase seals from the back of a Good News®  
or Pivot package (5 or more razors).  
Send proof-of-purchase seals and this completed certificate to:  
Good News® \$1.00 Refund Offer • P.O. Box 1174 • Grand Rapids, MN 55745

Name \_\_\_\_\_  
Address \_\_\_\_\_  
City \_\_\_\_\_ State \_\_\_\_\_ Zip \_\_\_\_\_

Additional terms: This certificate must accompany your request and may not be reproduced. Offer limited to one per household by address. Offer good only in continental U.S.A. Void where prohibited, taxed, or otherwise restricted by law. Allow 6-8 weeks for delivery. Offer expires April 30, 1986.

## \$150 Suave Cash Refund

Shampoo \$1.29  
Conditioner  
Skin Lotion  
Mousse \$1.59

BUY: Any 2 Suave products.  
ENCLOSE: 1. This completed certificate (no facsimiles or reproduced copies accepted).  
2. Proof of Purchase from any 2 Suave products by tracing the actual swirl from the front of a Suave bottle AND write down the actual UPC code number from each bottle on a piece of paper (see sample).  
3. Cash register receipt with purchase prices circled.



MAIL TO: SUAVE® REFUND OFFER  
P.O. Box 2001  
Young America, MN 55399

To receive your Suave \$1.50 cash refund or \$3.00 worth of Suave Coupons:  
Check your preference (choose one):  
\_\_\_\_ \$3.00 worth of Suave coupons    \_\_\_\_ \$1.50 cash refund

Name \_\_\_\_\_  
Address \_\_\_\_\_  
City \_\_\_\_\_ State \_\_\_\_\_ Zip (must be included) \_\_\_\_\_

Phone (area code) \_\_\_\_\_  
Limit one refund per household. Offer void where taxed, prohibited, or restricted by law. Allow 6-8 weeks for delivery. Offer good only in U.S.A. and where SUAVE® has offices. This offer is not redeemable as a year-end. This certificate is void if reproduced. Offer valid on 18 oz. products only. OFFER EXPIRES MAR 31, 1986.

CLIP AND MAIL

**Time-Zero Supercolor** 60  
**\$8.99**

**Kodak** Kodacolor VR Film  
**DISC**  
**\$4.89**

**KODACOLOR VR Film 110 size**  
24 exposures  
**\$2.89**

**Kodak** Kodacolor VR Film  
**DISC**  
**\$2.59**

**TRIMPRINT**  
Color Film  
**\$9.59**

**KODACOLOR VR 400 Film**  
24 exposures  
**\$3.69**

**KODACOLOR VR Film 126 size**  
24 exposures  
**\$3.09**

**KODACOLOR VR 200 Film**  
24 exposures  
**\$4.09**

**KODACOLOR VR 100 Film**  
24 exposures  
**\$2.89**

SEE OUR PHOTO DEPARTMENT  
FOR OTHER GREAT VALUES ON PHOTO NEEDS.

**PEARS SOAP**  
The Original Transparent Soap  
Natural, long lasting  
**99¢**  
2.6 oz.

**TEETHING PAIN?**  
**Baby orajel**  
ALCOHOL-FREE FORMULA  
FOR ON-THE-SPOT RELIEF OF TEETHING PAIN  
**\$1.69**

**Polident**  
**\$2.99**  
84 Tablets

**Maalox**  
SUSPENSION  
**\$2.49**  
12 oz.

**Ascriptin A/D**  
**\$3.19**  
100 Tablets

**DRIXORAL**  
**\$2.59**  
10 Tablets

**Style**  
HAIR SPRAY  
**\$1.09**

**EXTRA-STRENGTH  
TYLENOL**  
**\$3.89**  
50 Capsules

**Afrin**  
NASAL SPRAY  
**\$2.49**  
15 ml.

**TUMS**  
**\$2.39**  
150 Tablets

**TYLENOL**  
**\$3.79**  
4 oz.

**Equal**  
**\$3.29**  
100 Packets



**FOR SALE**

We make hydraulic hoses  
**P & L Auto Parts**  
 135 Edwards  
 928-4738

**TFC**  
**P & L Auto Parts is**

P & L Auto Parts is open from 7:30 a.m. until 6 p.m. Monday - Friday and from 7:30 a.m. until 3 p.m. on Saturday.

Want A Fireplace ahead of its time? Try the **INFURN-O** at **AMERINE MECHANICAL** 502 Kent St. Merkel, Tx. 141-TFC

Pecans for Sale: This year's in the shell \$1.00 per pound or shelled \$4.00 per pound. Call 928-5782 or come by 1403 Herring. 138-71p

For Sale: three lovely afghans. Make beautiful Christmas gifts. Also have crocheted items. Call 928-5674. Mrs. Craig Humphrey, 1507 Sunset. 140-2tc

Pecans For Sale at 505 Rannels, Call 928-5719. 140-2tc

Inexpensive Holiday Pets available for adoption. Male St. Bernard. Small mixed breed female, cute puppies, 1 male and 2 females, 6 weeks old, nice male kitten, grey, Merkel Vet Clinic, 928-5235. 141-1tnc

For Sale: 1/2 mile North of Walls, headache rack, pipes, water trough, windows, lumber Saturday 692-9241. 141-1tc

**WOOD STOVES OF MERKEL**  
 -Fireplace inserts.  
 -Free standing units.  
 -Mobile Home Units.  
 Wood burning stoves can heat your house for pennies with the **NORDIC**, made in America famous brand stove. See burning models on display at **AMERINE MECHANICAL** 502 Kent St. (FM 126) Merkel, Tx. Ph. 928-4876. 141-TFC

For Sale: Washer, dryer, electric range, all working. Call 928-5262 after 5:00 p.m. 141-2tc

**REAL ESTATE**

Over 2200 sq. ft. available on the edge of Country Club. Being completely redone and needs someone to steal it at this lowered price. Three br., 3 ba., formal living and dining--Call Debbie at 696-6105 or Dalzell Realtors 691-1300 for private showing and all the details.

Owner needs someone to love his big 3 br., 2 living area home on 9.96 acres. Detached garage for storage. Lease Purchase **WELCOME SUPER HOUSE AND SUPER PRICE** Call Dalzell Realtors 691-1300 and ask for Marion or Debbie or call 698-3431 or 696-6105. Dalzell Realtors, 3262 Chimney Rack, Abilene Texas 79606, 691-1300. 137-4tc

Exceptional bargain, 4 bedroom, 2 bath, double wide with central air and heat, 3 city corner lots, privacy fence, well, storage sheds and garden. Assumable 928-5425. 138-TFC

For Sale: "To settle estate". Duplex Apartment plus 3 car garage apt. 711 Yucca. See W.H. or H.J. Carson 928-5445 or 928-5231. 132-TFC

Ideal Starter home, cute little 2 bedroom frame house, living room, bath, remodeled kitchen with stove, big back yard, \$18,500 call 928-4426 after 3 p.m. 132-TFC

Nice Doublewide mobile home for sale, cheap \$12,000.00 Must sell soon, Unoccupied at this time, needs little work and must be moved. 928-4902. 126-TFC

Small tract Southside of Merkel (21 lots) excellent for building site. Also, in Bettis Heights Addition, 150 X 150. Call Cy Pee, Agent 928-5613. 129-TFC

Large 2 bedroom, 1 bath, kitchen, dining room and living room. Central heat and air, 4 ceiling fans, cook stove, side by side refrigerator washer and dryer, storm windows \$375 per month \$150 deposit. South edge of town on FM 1235. 928-5194.

1 downstairs apartment left with 2 bedrooms, 3 ceiling fans, central heat and air, 1 bath, refrigerator, stove and dishwasher. \$275 per month, \$150 deposit 928-5194.

Available soon, large 2 bedroom, living room, dining room, kitchen, 1 bath and utility room. Ceiling fans, storm windows, carpet, fenced yard \$335 per month \$150 deposit. 928-5194. 128-TFC

House For Sale: 2 bedroom, living room, dining room, kitchen, house is ready to move into. New paint inside and out, price is right, call Cy Pee, Agent 928-5613. 126-TFC

Beautiful redecorated homes in Trent. Nice fenced yards with large trees, low down payment, Driggers Agency, 862-6202. 140-4tc

Mobile Home For Sale: good starter home, new carpeting, set up on lot, a tin shed and a wooden shed, porch, underpinned, 2 bedroom, 1 bath, 2 window air conditioners. Call 928-5650, \$9,000. 120-TFC

For rent  **SHANNONSIDE APARTMENTS** 1,2 & 3 bedroom apartments, all electric, central heat & cooling. For more information, call 928-5038. 89-TFC

Mobile Home Space for rent in Merkel, \$35 per month, Pat McAlister 846-4715 or 846-4696. 139-4tc

Lease with option to buy. 1 year old brick home on 1 acre FM 1235. Central heat and air, 2 bedrooms, double garage, all build-ins, \$475 per month. Appraised at \$53,000. Hooker Realtors 677-9145. 111-TFC

For Rent: 3 bedroom house, stove, refrigerator, washer and dryer, ceiling fans, fenced yard \$300/month, \$150 deposit, 928-5194. 134-TFC

For Rent: 2 bedroom rock house, stove, refrigerator, \$250 a month, \$150 deposit, 2 blocks from school. 928-5194. 134-TFC

1, 2 or 3 bedroom mobile home for rent in Merkel 928-4973. 27-TFC

Mobile Home for lease with option to buy, two bedroom, 1 bath, completely furnished, one bedroom has a king sized bed, before 5 call 692-0702 after 5 call 928-4034. 107-TFC

Mobile Home Lots For Rent: 1st month free, west end of south 7th street, \$50 a month, Call 928-4973. 138-TFC

**CARD OF THANKS**

To all the wonderful friends in Merkel, we want to say thank you for the cards, flowers, visits and prayers during my stay in the hospital and at home. And a very special thank you to the Ladies Auxiliary of the VFW, Ray Pack and the Half-breads and everyone else who helped with the auction and dance. We so appreciate everything you have done for us.

Marie Shanks  
 Mike and Phyllis  
 Kathy and Steven  
 141-1tp

**MISC.**

Want To Babysit your children, any hours, Call Bobbie Jacobs, 928-4019. 139-3tc

Need Your Garden tilled up for the winter? Or maybe a load of Rabbit Manure to put on it. Buffalo Energy, 928-4827 1-9 p.m. 137-4tp

Babysitting: Evenings and weekends, Tammy Graham, 928-5744, 1108 N. 5th, TLC promised. 137-6tp

**Classifieds**

Tutoring Service for elementary through middle school. Call Jill Casey 928-5393. 138-3tc

**GRANNY'S PLAYHOUSE** Licensed Child Care. Open 6 a.m.-5:30 p.m. at 207 Orange, 928-4904. 133-13tp

**ATTENTION: Deer Hunters:** Day lease, \$25.00 per week day, \$35.00 week ends, weekly rates, call 928-5635 early mornings or night. 140-1tc

**KID'S KORNER DAY CARE CENTER** 2nd & Oak Open Monday - Friday 6:30 a.m. until 5:30 p.m. Call 928-4381. 66-TFC

Germania Insurance Company, for your insurance needs. Locally represented by Donna Carter, 928-5348. 33-TFC

**PROFESSION DOG GROOMING** ALL BREEDS HAND FLUFF DRY HAND SCISSORING FREE POLISH BOWS AND COLOGNE Please Call Faye at 928-4474 after 1:00 for appointment. 137-TFC

**HELP WANTED NEEDED IMMEDIATELY** Nurses Aides 6 a.m. to 2 p.m. Apply in person, Starr Nursing Home. 137-TFC

Strayed 700 lb. Black white face Heifer, Call James Russell 928-5470. 141-1tp

Need A Christmas Gift for the person who has everything? Arts and Crafts Show Nov. 30, 9-5 at 306 Rose. 141-1tc

**GARAGE SALES**

Garage Sale: East side of County barn, Saturday only at Johnnie Schultz. 141-1tp

Garage Sale: Friday only 702 Avondale 8 a.m. til 5 p.m. 141-1tp

**PUBLIC NOTICE**

Bids are being accepted by MISD for the following lots in Bettis Heights.

Lots 1, 2, 3, 4 & 11; Block S; Bettis Heights  
 Lots 7, 8 & 9; Block M; Bettis Heights  
 Lot 11; Block N; Bettis Heights

Sealed bids may be dropped off at the Superintendent's Office, 3rd & Ash Street or Mailed to: Merkel ISD / Bids P. O. Box 430, Merkel, Texas 79636.

Deadline for bid submission will be Friday, December 13, 1985 at 2:00 p.m. Bids will be opened at the December 17, 1985 Board meeting. 141-23-2tc

**AN ORDINANCE AUTHORIZING THE TAYLOR ELECTRIC COOPERATIVE, INCORPORATED TO CONSTRUCT, MAINTAIN AND OPERATE AN ELECTRIC UTILITY SYSTEM IN THE CITY OF TRENT, TAYLOR COUNTY, TEXAS**

Section 1. Be it ordained by the City Council of the City of Trent, Texas, that the Taylor Electric Cooperative, Incorporated, a Texas corporation (hereinafter called "Corporation"), its successors and assigns, is hereby granted a franchise by the City of Trent for the purpose of operating an electric utility system in said City for a period of twenty-five (25) years from the passage of this ordinance.

Section 2. The Corporation shall place its facilities in such manner as to not interfere with the ordinary travel and use of the streets, alleys, and other public grounds during the life of this franchise.

Section 3. The Corporation shall have the right to furnish electric service, during the life of this franchise, to all consumers that the law permits the Corporation to serve in the city and to extend its system along, upon and across public grounds, streets and alleys within the city's corporate territory.

Section 4. The Corporation shall pay the City annually each year, during the life of this franchise, two (2) percent of its gross receipts from all of its sales of electric service used within the City of Trent, exclusive of sales to the City, as compensation for this franchise. They

City may have the books and accounts of the Corporation audited at its own expense in order to determine the amount of franchise payment due the City for any year, and for failure on the part of the Corporation to pay said compensation within 60 (sixty) days after the amount is determined to be due, this franchise and all rights and privileges herein granted shall be forfeited to the City, and City shall have the right to collect any franchise payment due and owing the City by all legal and equitable remedies given by law for the collection of debts.

Section 5. This franchise is not exclusive, and the City reserves all rights to grant any other franchises similar in nature as is provided by the Laws of the State of Texas.

Section 6. The Corporation agrees to indemnify the City of Trent and the City Council of said City from all claims arising out of the construction, maintenance and operation of said electric utility system.

**PASSED and APPROVED** on this 12th day of November, 1986  
**CITY OF TRENT, TEXAS**  
 By: Randy Hunt, Mayor  
 Attest: Shannon Payne City Secretary. 141-115-2tc

**CITATION BY PUBLICATION**  
**THE STATE OF TEXAS TO: OLIVER JEFFERSON PAYNE** Address Unknown, Respondent:

**GRFTTINGS:**

**YOU ARE HEREBY COMMANDED** to appear and answer before the Honorable 326th District Court, Taylor County, Texas, at the Court-house of said County in Abilene, Texas, at or before 10 o'clock a.m. of the Monday next after the expiration of 20 days from the date of service of this citation, then and there to answer the petition of **CHARLES EDWARD NAHOOKAIKA** and **O'LITA GENELE NAHOOKAIKA**, Petitioner, filed in said Court on the 10th day of September, 1985, against **OLIVER JEFFERSON PAYNE**, Respondent, and said suit being numbered **285-CX** on the docket of said Court, and entitled, "In The Interest of **JAMES JEFFERSON PAYNE, a Child**", the nature of which suit is a request to terminate the Parental rights of Oliver Jefferson Payne from James Jefferson Payne and granting Adoption of James Jefferson Payne by Charles Edward Nahookaika. Said child was born the 18th day of January, 1975, in Freeport, Brazoria County, Texas.

The Court has authority in this suit to enter any judgment or decree in the child's interest which will be binding upon you, including the termination of the parent-child relationship and the appointment of a conservator with authority to consent to the child's adoption.

If this citation is not served within ninety days after the date of its issuance, it shall be returned unserved.

The officer executing this writ shall promptly serve the same according to requirements of law, and the mandates hereof, and make due return as the law directs.

Issued and given under my hand and the seal of said Court at Abilene, Taylor County, Texas, this 30th day of October, 1985.

Rilla Mahoney, Clerk, 326th District Court, Taylor County, Texas  
 By Jo Ann Lackey, Deputy. 137-4tc-87

**NOTICE OF SHERIFF'S SALE**  
**THE STATE OF TEXAS**  
 County of Taylor

**NOTICE IS HEREBY GIVEN** That by virtue of a certain Order of Sale issued out of the Honorable County Court of Taylor County, of the 15 day of November 1985, by Order Of Sale of said Carey-Chapman Drilling Corp.-- Circle Drilling for the sum of Six Thousand Ninety one Dollars and no/ 100 and costs of suit, under a Judgment, in favor of The Reeves Company in a certain cause in said Court, No. 14,202 and styled The Reeves Company vs. Carey-Chapman Drilling Corp. (C-C) Drilling Corp. Circle C. Drilling Co., placed in my hands for service, I John W. Middleton, as Sheriff of Taylor County, Texas, did, on the 15 day of November, 1985, levy on certain Real Estate, situated in Taylor County, Texas, described as follows, to-wit: including but not limited to, tank batteries, pump jacks, pipe, and any and all oil and gas in place, situated thereon, to-wit: Being the Schneider Leases # 20017 and # 20122, located in Section One Hundred Forty - Five (145), Block Sixty-Four (64), H&TC RR. Co. Surveys, in Taylor County, Texas, and being more particularly described as follows, to-wit: Lease 1A: Located 589 feet from the north line and 467 feet from the east line (lease line), and 589 feet from the north line and 505 feet from the west line (survey line), of said Section 145; and Lease 2A: Located 330 feet from the east line and 1520 feet from the north line (lease line), and 444 feet from the west line and 1520 feet from the north line (survey line), of said Section 145; and levied upon as the property of Carey-Chapman Drilling Corp.--Circle C Drilling and that on the first Tuesday in January 1986 the same being the 7th day of said month at the Court House door, of Taylor County, in the City of Abilene Texas, between the hours of 10 a.m. and 4 p.m., by virtue of said levy and said Order of Sale I will sell said above described Real Estate at public vendue, for each, to the highest bidder, as the property of said Carey-Chapman Drilling Corp. And in compliance with law, I give this notice by publication, in the English language, once a week for three consecutive weeks immediately preceeding said day of sale, in the Merkel Mail, a newspaper published in Taylor County.

Witness my hand, this 15 day of November, 1985.

John W. Middleton, Sheriff Taylor County, Texas  
 By Eddit Swanson, Deputy. 140-3tc-109

**LESTER HUMPHREY**

**TERMITE AND PEST CONTROL**  
 1202 PINE 677-2413

LARRY BEASLEY 25 Years Of Owner Experience

**BEASLEY GARAGE AND BODY SHOP**  
 All Type Mechanic Work  
 Painting and Body Repair

807 Oak Street Merkel, Texas 79636 Phone: (915) 928-4967

**FOR SALE**  
 APARTMENTS 11 UNITS PLUS LAUNDRY AND MINI STORAGES. 100% OCCUPIED, ONLY 2 YEARS OLD, EXCELLENT TAX SHELTER  
 CALL 915 728-8619 or 737-2485

**PRE-PAID FUNERAL PLANS**  
**CEMETERY HEADSTONES**  
**BURIAL INSURANCE**  
**LIFE INSURANCE**  
**STARBUCK FUNERAL HOME**

**Munden Welding**  
**SATISFACTION GUARANTEED**  
 928-5206 All types of welding  
 1/2 Mile West of water tower on FM 126 South

**ALL WORK GUARANTEED**  
**ALL TYPES PLUMBING SUPPLY**  
**CONSOLIDATED PLUMBING**  
 Radio Dispatched Trucks  
 For Fast Dependable Service  
 102 KENT  
 928-5827 or 928-5283  
**OLD & NEW WORK**  
**BACKHOE & TRENCHER**

**The Merkel Mail**

Cloy A. Richards--Editor--Co-Publisher  
 Melanie Richards--Co-Publisher  
 Published at 916 North 2nd, Merkel, Texas  
 Entered as Second Class Mail at the U. S. Post Office, Merkel, Texas 79636

Subscription Rates  
 \$10 per year in Taylor County  
 \$11.75 Anywhere in Texas  
 \$12.50 per year out of state

Member  
**TEXAS PRESS ASSOCIATION**  
**NATIONAL NEWS PHOTOGRAPHERS ASSOCIATION**

**NOTICE**  
 Typographical or other errors must be brought to our attention before the second insertion or claims for refund will not be recognized.

**CLASSIFIED RATES**  
 Classifieds are \$2 for the first 18 words and 10 cents for each additional word paid in advance. a 75 cent billing fee is added to all charged adds

**LEGAL RATES**  
 Legal notices are 55 cents per line for the first insertion and 45 cents per line for each additional insertion.

Business Phone [915] 928-5712  
 Recorder on after hours or when out  
 Correspond to Box 428, Merkel

Merkel's Oldest Business  
 Publishing Weekly since 1889

Congress shall make no law abridging the Freedom of the Press

Publisher reserve the right to cancel any advertisement at any time

**FOR ALL YOUR INSURANCE NEEDS**  
**SEYMORE INSURANCES**  
 ...Auto, Property, General Liability  
 Crop, Health, Life, Disability, Tax-shelters, retirement, Educational plans.  
**102 EDWARDS 928-5379**  
**FARMERS UNION SERVICE POINT**

**COUNTRY UPHOLSTERY SHOP**  
**LOWEST PRICES AROUND**  
**FREE ESTIMATES**  
**LOIS GALLOWAY**  
 1/2 MILE EAST OF STUCKEYS  
 928-5356

**MERKEL VETERINARY CLINIC**  
 OPERATED BY  
**BRADLEY R. BANNER, DVM**  
**KATHRYN L. BANNER, DVM**  
 SAME LOCATION FM 126 NORTH  
 HOURS: MON-FRI 8:30-5:30  
 CLOSED FROM 12 - 1 FOR LUNCH  
 SATURDAYS 8 UNTIL NOON  
**928-5235 FOR APPOINTMENTS**  
**928-4176 FOR EMERGENCIES**



## Trains are topic for local group

The Merkel G.F.W.C. Fortnightly Study Club met Nov. 19 with Mrs. James Jay. The business meeting was conducted by Mrs. Ornel Hill, Club President. The club collect was led by Mrs. Andy Shouse and The Pledge to the United States Flag was led by Mrs. Billy Bob Neff. The program, "The Coming of the Train" was presented by Mrs. Comer Haynes. Mrs. C.M. Brown read Emily Dickerson's poem, "The Train".

## Preceptor Eta Omega meets

Preceptor Eta Omega, Chapter of Beta Sigma Phi, met Tuesday at the REA after the program, which was presented by Kathryn Cawley.

Kathryn's program was "Christmas, from our house to yours." She had a lot of ideas for the holidays.

The gifts most treasured by family and friends are often those stirred up or baked in the kitchen. We hope that everyone that attended enjoyed the evening. After the program, refreshments were served and recipe leaflets were passed out to everyone that attended.

## Lambda Beta views

### anti-drug film

Lambda Beta held its regular meeting on November 19 in the home of Martha Sue Justice. Virginia Pirraglia and Debbie Roberson presented the program, "Medicine: The Abuse of Prescription and Illegal Drugs" which included showing the film Drugs Of Abuse available through the Merkel Police Dept.

Members elected Virginia Pirraglia as Valentine Sweetheart to be honored at a dance upcoming in February.

Those attending the meeting were Kay Bishop, Melinda Dye, Barbara Graham, Beverly Helmer, Martha Sue Justice, Janet McKeehan, Rita Moore, Virginia Pirraglia, Debbie Roberson, Robin Robinson, Janet Rogers, Pat Scheknecht and Sheri Walton.

## Senior Citizens set

### Monday singing

The Merkel Senior Citizens will hold a singing at the Merkel Senior Citizens Center starting at 6:30 Monday night.

Everyone is invited to attend.

## Baker is USAF

### basic graduate

Airman, R.D. Baker, son of Mr. and Mrs. Roy D. Baker of Trent, Texas, has been assigned to Sheppard Air Force Base, Texas, after completing Air Force Basic training.

He is a 1964 graduate of Trent High School.

Mrs. James Jay gave a history of Rister, Perry Rogers, Ed Sandusky, Connie Mack Seymore, Andy Shouse, Howard Sliger Alf Walla, Ray Wilson and Misses Mary Collins, Mildred Hamm and Maurine White.

Present were Mmes. C. M. Brown, Randy Carson, R.M. Ferguson, J.W. Hammond, Comer Haynes, Orvel Hill, Buster Horton, Carl Hughes, James Jay, Allen King, C.B. Knight, Joe Lassiter, Henry Martin, Burl McCoy, Billy Rob Neff, Truett Patterson, Curtis

At the meeting, it was announced that the Preceptor Chapter will help at the concession stand on Saturday December 7 and Sunday, December 8 to help buy Christmas Decorations for Merkel.

Also it was in last week's paper that Louise Dubose received her Order of the Rose honor. That was incorrect, she received her Silver Circle Honor. In order to receive the Silver Circle a member has to be active for 25 years. Publicity regrets the error.

Members attending the meeting were: Jane Carson, Blanche Hewitt, Ruth Tipton, Liz Eager, Betty Conley, Mamie Steck, Y Sadler, Connie Ybarra, Val Patterson, Betty Satterwhite, Kathy Leverich, and Louise Dubose.



PREMIER SHOWING  
8:00-9:00 Channel 18  
Saturday Evening, Nov. 30,  
Lifetime Cable Network (LIF)

Is the  
American diet  
a way of life—  
or death?

Don't miss this show.  
Then call me:

Allamon  
928-5529

Your Independent Shaklee Distributor

## SWEETWATER CATTLE AUCTION

### CATTLE SALE

Every  
Wednesday

Sale Starts at 11:30 a.m.



## Joe Helms

Owner (915) 235-4649

Sweetwater Sale Barn

(915) 2366377

We now have some room

and are buying Milo

Check our Prices

Cal-Tex Feed Yard

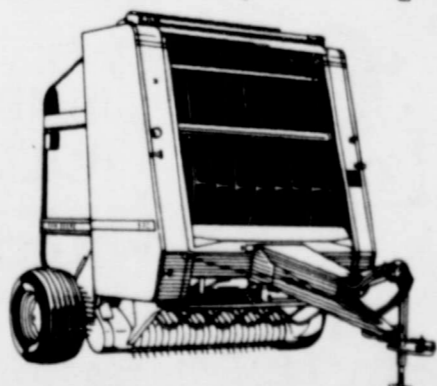
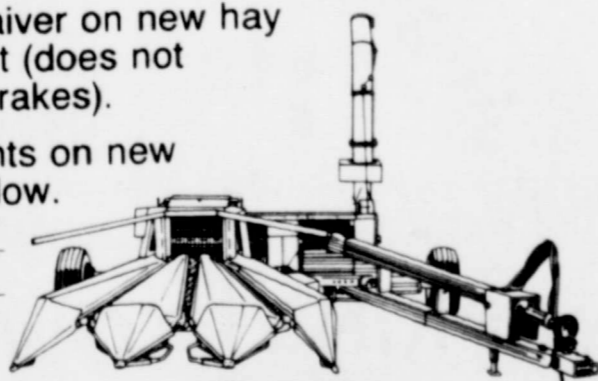
862-6111

## Interest-Free Until September 1

Extended waiver lets you save even more  
on new John Deere Hay and Forage Tools

- Now's the time to save big on new and used hay and forage equipment.
- Interest-free financing\* until September 1, 1986 on new and used hay and forage equipment.
- Discount in lieu of waiver on new hay and forage equipment (does not include mowers and rakes).
- Big customer discounts on new equipment shown below.

EQUIPMENT	CUSTOMER DISCOUNT
Round Balers	\$ 400
Square Balers	400
PTO Forage Harvester	
Model 3940	850
Model 3960	850
Model 3950	500
Model 3970	500
Model 4720	500
Mower Conditioners (except 1424)	450
Model 1424	1000
Self-Propelled Windrowers	
Model 2320 (grain only)	2500
Model 2420 (grain only)	2500
Model 2320 (auger platform)	2500
Model 2420 (auger platform)	2500
Model 2280 (auger platform)	3000
Model 3430	650
Model 3830	650



\*Availability of John Deere financing subject to approval of credit. These offers may be withdrawn at any time.



Abilene Farm Supply

3526 South Treadway 692-2255

# SHAPE UP

Work off that Thanksgiving turkey & dressing before Christmas

**Fit - n - Firm Fitness Center**  
123 KENT Phone 928-4026

## Aerobics & Workout Equipment \$25<sup>00</sup>

Jan. 1 - 7 Registration for Children's Jazz Class and Twirling classes

Jan. 1 - 7 Registration for Women's Floor exercise class (5 days a week at 9:30 a.m.) \$10<sup>00</sup>

## Happy Holidays

from

### Fit - n - Firm

## HAVE A HAPPY THANKSGIVING

OPEN ALL DAY THANKSGIVING

<b>Fritos CORN CHIPS</b> BAG	<b>\$1.49</b>	<b>BORDEN'S BUTTER-MILK</b> 1/2 GAL. CTN.	<b>99¢</b>
<b>COMOCO ANTI-FREEZE</b> GAL. BTL.	<b>\$2.99</b>	<b>FRESH &amp; CREAMY HOT CHOCOLATE</b> CUP	<b>30¢</b>
<b>FILLED WITH YOUR FAVORITE MEAT! ALLSUP'S TALLSUP</b> CAN	<b>49¢</b>	<b>ALLSUP'S SAUSAGE ON A STICK</b> EACH	<b>99¢</b>
<b>ALLSUP'S ICE CREAM</b> 1/2 GAL. CTN.	<b>\$1.59</b>	<b>SUPPORT SPECIAL OLYMPICS BY BUYING DECKER PRODUCTS AT ALLSUP'S</b> 6 OZ. COOKED HAM \$1.49 OR <b>CHOPPED HAM</b> DECKER GOLD 6 OZ. PKG.	<b>\$1.19</b>

ALL SIZES-GREAT SELECTION OF FRESH  
**CHRISTMAS TREES** AS LOW AS **\$8.99**

## FALL WAREHOUSE SALE

<b>PET EVAPORATED MILK</b> 13 OZ. CANS	<b>2.99¢</b>	<b>ALL GRINDS COFFEE FOLGER'S OR HILLS BROS.</b> 1 LB. CAN OR PKG.	<b>\$1.99</b>	<b>PHILADELPHIA CREAM CHEESE</b> 8 OZ. PKG.	<b>73¢</b>
--	--------------	--	---------------	---	------------

<b>Burritos</b> 2 FOR <b>89¢</b>		<b>\$1.09</b> 2 LITER
--	--	--------------------------

PRICES EFFECTIVE NOV. 28-30, 1985

WHILE SUPPLIES LAST

OPEN THANKSGIVING DAY  
ICE-MILK-BREAD-FRESH PRODUCE-SNACKS  
BROWN & SERVE ROLLS-CHIPS & DIPS-FILM & FLASH  
NOT COOKED FOODS-SERVE HOT



# Our BEST to YOU for THANKSGIVING FEASTING



PRICES GOOD NOV. 21 Thru NOV. 30  
Tues Thru Sat 30th  
7:30 a.m. - 6 p.m.  
Mon Thru Sat  
CLOSED SUNDAY

HAIR SPRAY  
**V-05 \$1.73**  
7 OZ CAN

PARADE  
LARGE  
EGGS  
DOZEN **69¢**

8 BIG  
SHOPPING  
DAYS  
CLOSED FOR  
THANKSGIVING

25 FT ROLL  
2 FOR  
FOIL WHIP **99¢**

FOREMOST WHIPPING  
**CREAM**  
8 OZ CRTN **59¢**

PARADE WK OR CS CORN CUT GREEN BEANS 303 CANS  
SWEET PEAS MIX OR MATCH 3 FOR **89¢**

PARADE WHIP 8 OZ TUB  
**TOPPING 59¢**  
MRS SMITH PUMPKIN PIE \$1.49  
PARADE TWIN PACK 26 OZ

IMPERIAL POWDER OR BROWN  
**SUGAR**  
2 LB BAG **\$1.09**

FOREMOST SOUR  
**CREAM**  
16 OZ CRTN **98¢**

PARADE 300 PORK & BEANS 4 CANS **99¢**  
PARADE 303 PUMPKIN 2 CANS **79¢**

PIE SHELLS PKG **59¢**  
CHAPALA 10 OZ CRTN  
**STRAWBERRIES 39¢**

DURACELL BATTERIES  
9. V EACH **\$1.49**  
AA EACH **\$1.19**  
D OR C 2 PACK **\$1.49**

FOREMOST COTTAGE  
**CHEESE**  
16 OZ CRTN **\$1.19**

PARADE 300 JELLY  
**CRANBERRY SAUCE** 2 FOR **79¢**  
PARADE 11 OZ MANDARIN ORANGES CAN **59¢**  
PARADE SLICED DILL PICKLES QT **89¢**

SWANSON 300 CAN  
**CHICKEN BROTH** 2 FOR **79¢**

FOREMOST EGG  
**NOG**  
QT CRTN **98¢**

COFFEE  
**FOLGERS**  
1 LB BAG **\$1.89**

7-UP REG OR DIET AND ASST  
**COCACOLA**  
2 LITER BOTTLE **93¢**

**CHILI WOLF**  
PLAIN 19 OZ CAN 2 LIMIT **99¢**

PARADE  
**CATSUP**  
32 OZ JUG **89¢**

DAIRYLAND HOMO MILK GAL JUG **\$1.93**

DAIRYLAND LOW FAT MILK GAL JUG **\$1.85**

BETTY CROCKER BROWNIE MIX 21 OZ BOX **99¢**  
PARADE 3 LB CAN SHORTENING EA **\$1.29**

RED GRAPES CALIFORNIA SEEDLESS SWEET POUND **69¢**

**THE TURKEY**  
You'll Remember With Pleasure  
ARMOUR STAR  
BASTED 10 - 14 LBS HENS



**TURKEY 79¢ LB**

PARADE 7.4 OZ MACCARONI & CHEESE DINNER 4 FOR **99¢**

PARADE 1 LB BOX CRACKERS 2 FOR **99¢**

PARADE PRESERVES STRAWBERRY 18 OZ **\$1.23**

ARMOUR GOLDEN STAR BUTTER BASTED 10-14 LB HENS **TURKEYS 89¢ LB**

PARADE **OLEO**  
2 FOR **99¢**

PARADE MINIATURE MARSH MELLOWS 10 OZ BAGS **79¢**

GOLDEN BANANAS LB **25¢**

FRESH BROCCOLI LB **49¢**

EXTRA FANCY ROME APPLES LB **49¢**

FRESH LARGE CELERY STALK **49¢**

OCEAN SPRAY 12 OZ PKG CRANBERRY **98¢**

WRIGHTS DRY CURE HAMS SMOKED WHOLE OR HALF **\$1.49 LB**

CHOICE BEEF RUMP ROUND OR PIKES PEAK ROAST LEAN **\$1.89 LB**

PARADE SINGLE SLICED CHEESE 12 OZ PKG **\$1.09**

PARADE ANGEL FLAKE COCONUT 14 OZ BAG **\$1.19**

TEXAS GOLDEN YAMS LB **33¢**

YELLOW ONIONS LB **15¢**

RUSSET SPUDS 10 LB BAG **\$1.29**

ARMOUR STAR BEEF OR REG 12 OZ PKG **FRANKS \$1.25**

ARMOUR STAR NO. 1 **BACON \$1.83 LB**

OWENS FRESH PORK 2 LB BAG \$3.65 **SAUSAGE \$1.83 1 LB BAG**

PARADE RAMEN NOODLES 4 OZ PKG 5 FOR **89¢**

PARADE NAPKINS 140 COUNT **69¢**

BROWNY TOWELS JUMBO ROLL **59¢**

NORTHERN TISSUE 4 ROLL CARTON **99¢**

OSCAR MAYER EXTRA LEAN CENTER CUT **BACON \$2.29 12 OZ**

OSCAR MAYER ASSORTED SPECIAL SELECT LUNCH MEAT SLICED **\$1.49 8 OZ**

FAMILY SIZE **TIDE**  
BOX **\$5.59**

AUTO-DISHWASHER **CASCADE**  
64 OZ BOX **\$1.89**

LIQUID **JOY**  
BOTTLE 22 OZ **89¢**

DOUBLE GIFT BOND STAMPS **ON 'S OR MORE IN TRADE**

WE WELCOME FOOD STAMPS

## CARSON'S SUPER MARKET

MERKEL, TEXAS  
BEST MEATS IN TOWN