

# The Gorman Progress

Gorman, Eastland County, Texas 76454

Member of Texas  
Press Association

NUMBER FOURTEEN

APRIL 30, 1992

## Renee Rainey and Todd Early To Pledge Nuptials



Ms Martha Rainey of Gorman and Mr. Doug Rainey of Stephenville are proud to announce the engagement and upcoming marriage of their daughter, Beverly Renee' to Tod Michael Early, son of Mr. and Mrs. Larry Early of Dublin. The bride-elect will be a 1992 graduate of Gorman High School and the prospective groom is a 1990 graduate of Dublin High School and is currently employed by Brown & Root of Houston.

The bride-elect is the granddaughter of Iris Preston of Gorman and Wanda Rainey of Carbon. The prospective groom is the grandson of Mildred Hampton and Mr. and Mrs. V. W. Early of Dublin. Todd and Renee' are planning a July 25 wedding.

## Annie Mae Collum Laid To Rest Monday

Annie Mae Collum, 80, died Friday, April 24, 1992 at De Leon Hospital.

Services were at 2 p.m. Monday at Higginbotham Funeral Home Chapel with the Rev. J. Wortham officiating and assisting was the Rev. Elsie Landers. Burial was in Howard Cemetery.

Mrs. Collum was born in Lamesa and was a member of First Baptist Church.

She was the widow of William A. Collum.

Survivors include a son, Bill Collum of Desdemona; a daughter, Patricia Ranne of Granbury; three sisters, Irene Murph of Lovington, N.M., Winnie High of Del-Norte, Calif. and Louise Floyd of Fort Sumner, N.M.; three brothers, Buster Simpson of Lovington, N.M., James Simpson of Roswell, N.M., and Junior Simpson of Salem, Mo.; six grandchildren; and nine great-grandchildren.

## "Our Apology"

We would like to express our apologies to Kris Scitern, whose name was omitted from the District Track results in last weeks paper. Kris won the 100 meter dash at District Meet and was the only boy going to the Regionals to represent Gorman.

It was reported that Gorman won second in the 400 Meter relay. This would have been true if they had not been disqualified for dropping the baton.

## Roy O. "Pop" Rankin Graveside Rites Held Here Tuesday

Roy O. "Pop" Rankin, 95, died April 26, 1992 in Post, Texas.

Graveside services were held at 4:00 p.m. Tuesday with Rev. James Haynes, First United Methodist Church officiating. Burial was in Murray Cemetery, directed by Hudman Funeral Home, Post, Texas.

Roy was born in Alexander, Texas on August 14, 1896 and was a Methodist.

He was preceded in death by his wife Ella L. Weaver in 1965 and two brothers, B. W. "Barton" Rankin and Ray Rankin.

Survivors include two daughters, Faye Cockrell and Roella Gay Britton, both of Post; one sister, Thelma Bickle of Weatherford, Texas; and 7 grandchildren and 14 great-grandchildren.

## Oakland Cemetery Association Meets April 2

The Oakland Cemetery Association Business Meeting will be at Saturday, May 2, 10:00 a.m. at the Cemetery.

We wish to encourage everyone who is connected with the Cemetery in any way to attend and put your support in with everyone else. That is what the Cemetery operates on the support and involvement of everyone.

We are asking everyone who has lots staked out at the Cemetery to be sure to check with us to get your receipt of ownership as we are trying to get the lots marked and located.

The lots that the ownership has not been cleared on cannot be used until that part is cleared.

This only applies to the ones who haven't already paid for their lots.

We need the money for the lots to make. The Perpetual Care plan works for the Cemetery.

We do appreciate your donations and wish to say thank you everyone for all your cooperation.

We have a Memorial Fund set at the Bank here at Gorman for those wishing to honour their loved ones or friends in this manner. It can be done at Citizens State Bank or to us direct and we will send cards in your name to whom you wish. The tele-

## Gorman Oaklawn Cemetery Accepting Memberships

The Gorman Oaklawn Cemetery Association are now accepting membership contributions to help in organizing the Association recently. They would like to express their thanks and appreciation to the following contributors of memorials and donations since the Association was granted a Charter in January, 1992.

The contributors are : Dorothy Hatcher, Marjorie and J. D. Linder, Alene M. Palmer, Jessie R. Iley, Mr. and Mrs. Marvin Jones, Mr. and Mrs. J. W. Overstreet, Mrs. Charles Underwood, Iris Smith, Carole Rae Ervin, T. L. Jay, Jr., Joe Bennett, Mrs. Jessie E. Atchison, R. C. Mehaffey Estate, Aubrey A. Pirtle, Odie Brightwell, Alvena Reynolds, Gilbert E. Marshall, Aubrey Wilson, W. T. Shell, Doyle D. Allen, Muriel Prewitt, Opal L. Bennett, Eppie Jean Whiteside, Mrs. J. Marvin Nix, Mary Waller, E. J. Whitlock, Joan Butler, Olga Kinser, Mrs. Frank Lucky, Richard Watson, Bob G. Todd, Mrs. D. W. Wood, Vernon Wright, Mrs. Harold Davis, W. L. Mehaffey, Bernice Gregg, Mr. and Mrs. Cody Love, Robert C. Smith, Mr. and Mrs. R. O. Baze, Marilyn D. Currie, Mrs. Bob Burton, Zelma Lee Perry, Lula Schneider, Margaret J. Sloan, Cecil Self, Wm. M. Fairbatter, M. E. Shell, Mrs. E. W. Underwood, Jerry Anderson, Mr. and Mrs. Bill Parr, Nathan G. Mehaffey, Weldon Kirk, Donna Oglesby, Mrs. Paul Ormsby, Jettie Fay Fields, B. G. Alsabrooks, W. G. Kirk, M. W. Iley, J. O. Kirk, Bob Green, Larry Pullin, Grace Townley, Euel H. Westmoreland, Nelda Wright, Wm. E. Bettis, T. L. Stephens Estate, Bertha Gregory, Zena Mae Martin, Ada W. Robinson, Edna Watson Estate, Mr. and Mrs. Carrol Jones, Johnnie Ermen Hoover, R. D. Allen Estate, Gene L. Foster, and Russell Fuller.

## KEEPING UP WITH FRIENDS

Estelle and Kay Ann Craddock spent last week in the Fredericksburg area and visited Mr. and Mrs. D. L. Clark in Comfort and Mr. and Mrs. Bedford Gottlich in Johnson City.

Sharla Clark of Southwest Texas State University in San Marcos spent the weekend with her mother Debra Clark.

## VOTE OF THANKS

Cub Scout Pack 38 wishes to thank everybody for making the Bake Sale last Saturday a success. And Special Thanks to Kathy Torres and Janet Adams for their time and effort.

## School and City Election Set Saturday, May 2

The election for School Board Trustee and City Election for Mayor and two Commissioners will be held Saturday, May 2nd.

City Election will be held in the Old Firehall with Don Curb serving as election judge.

Jack Simpson field for re-election for Mayor. John Rice (incumbent) and Johnny Dorsett filed for Commissioner Place 2 and Johnny Smith (incumbent) is unopposed for Place 4.

Glenn Glasson is unopposed for his one year term on the School Board of Trustees, Danny Snider and Robert Ervin incumbents are seeking re-election to their year terms on the board. Others filing for the three - three year terms are Becky Laminack, Gene Smith and Larry Keith.

The Polling place will in the High School Library. Roy Parker will serve as Election Judge.

Polls will open at 7:00 p.m. and close at 7:00 p.m.

phone number is 817-734-3367.

Opal V. Burton  
Rt. 1 Box 159A  
Gorman, TX 76454  
Secretary of the  
Oakland Cemetery Assn.

## Panthers Defeat Indians In First District Game

The Gorman Panthers defeated the Huckabay Indians 14-3 in the First District game on April 21, at Huckabay. Pitchers for Huckabay were Magans and Seabauen. Metsgar and seabauen scored in the first inning, while Magans finished the scoring Huckabay in inning number two. Pitchers for Gorman were Jason Ditmore and Cory Pack. Gorman scored in all but innings four and six. Steve Taylor led the scoring with four runs, while Cory Pack, who hit a homerun, scored three times. Other scorers were Don Mauney, Jason Ditmore, Noah Landa, Jonray Childers and Jade Warren.

## Panther Defeat Hawley 5-3

Gorman Panthers defeated Hawley 503 in a regular season game at Gorman on April 24. Pitchers for Gorman was Jason Ditmore. Hitting home runs were Jason Ditmore, Cory Pack, and Jeremy Carroll. At the end of the fourth inning, Gorman was leading by a score of 4-0, with runs scored by Cory Pack, Jason Ditmore, Noah Landa, and Jeremy Carroll. In the fifth inning, Brazee, Dickson and Deen scored for Hawley. Jason Ditmore scored again in the sixth inning on a RBI by Don Mauney. Pitching for Hawley was Castro.

## ITEMS OF INTEREST

The annual All-Day Singing at Rock Bluff Baptist Church is Sunday, May 3rd. It will begin with singing at 10:00 a.m. A basket lunch will be spread at noon with singing to continue after lunch until approximately 4:00 p.m. Please come sing, visit or listen - everyone's welcome.

There will be a MUSICAL at Sipe Springs Community Center on Saturday night, May 2nd, starting at around 6:30 or 7:00 p.m. Everyone is invited, especially all musicians.

The Annual Staff of Gorman High School will be taking orders for 1991-92 Annuals on Thursday and Friday, April 30th and May 1st. Total price will be \$25.00 or a \$10.00 is required to order. Call 734-2614 for information.

**NEEDED** — Old Pictures of Desdemona town, school and churches for a Big History Project. Copies will be made of originals and returned soon as possible. All this history will be on display each year at the Annual Desdemona Homecoming and School Reunion which is always the Second Saturday in August. Senc your old photos, old newspaper clippings, etc. to Vonnie Guthery, P. O. Box 187, Desdemona, Tx 76445

The Kokomo-Simpson Cemetery Association and Homecoming at Kokomo will be Saturday, May 2. The Cemetery Association meeting will begin at 11:00 a.m. at the tabernacle at Simpson Cemetery. At the close of the meeting everyone will gather at Kokomo Community Center for lunch and visiting with friends, relatives, neighbors, and acquaintances.

The Class of 1992 will be having a CAR WASH Saturday, May 9. Bring your car to Citizens State Bank in Gorman and let us clean your car, truck or van. Also we are having a BAKE SALE on May 9 just before Mother's Day held in front of the Post Office. We would appreciate each and everyone's support. All funds are greatly appreciated.

Once more we would like to say Thanks to everyone that has supported our class in anyway. We have come a long way and could not have done it without everyone's help.

Thanks A Lot - Class '92

**Canterbury Villa of Gorman** would like to remind everyone that Blood Pressure Checks are free to the Public at anytime.

Game Day and Luncheon will be held on Friday, May 1st at Lone Cedar Country Club starting at 10:00 a.m. All Welcome.

**Oliver Springs Cemetery Working** will be held on Saturday, May 2nd. Bring basket lunch for dinner on the ground.

## OUTREACH HEALTH SERVICES - PAT CORNWELL, R.N.

Blood Pressure and Blood Sugar Clinic will be held on the Second Wednesday of each month at the Gorman Hotel Apartments and the Third Wednesday of each month at Senior Citizens Center from 10:00 a.m. to 12:00 noon.

## The Gorman Peanut Festival Committee meets on the Second Wednesday of Each Month at 8:00 p.m. in the School Cafeteria. Make plans to come to the meeting.

**STATED MEETINGS FOR GORMAN MASONIC LODGE NO. 716 ARE SECOND TUESDAYS OF EACH MONTH AT 7:30 P.M. VISITORS ARE MOST WELCOME, AND MEMBERS ARE URGED TO ATTEND. ELWOOD RAGLAND, MASTER 758-2552, HOWARD HAGOOD, SECRETARY 734-2977.**

**NANCY TROUT WILL BE IN GORMAN THE THIRD WEDNESDAY OF EACH MONTH AT THE CITY OFFICE TO RENEW AUTO LICENSE PLATES. HER NEXT VISIT WILL BE MAY 20TH FROM 9 - 12 NOON.**

**RECYCLE AT FIRST UNITED METHODIST CHURCH. NOW ACCEPTING ALUMINUM CANS, PLASTICS, GLASS (Separated by Color), FORMED ALUMINUM (TV Dinner Plates, Pie Plates). FOR MORE INFORMATION CALL 734-2546.**

## Local Student Recognized For Outstanding Skill in Home Economics



gram in eleven major categories: All-Star Chapter, All-Star Project, Designing a Business, Child Development, Family Communications, Food Service, Illustrated Talk, Job Interview, Parliamentary Procedure, Public Relations and Community service.

Missy, who is a freshman at Gorman High School received 4th Place. Her trophy was presented at a recognition session honoring all participants at the Tarrant County Convention Center Arena on Saturday, April 11.

Missy competed in the Job Interview Event in which she developed a resume and job application form, participated in an interview and developed a follow-up letter. This event was judged by such criteria as performance, personal qualities, knowledge of job requirements, and quality, completeness and neatness of developed materials.

Ellen Gressett is the Gorman FHA Chapter Advisor.

## Miss Gorman and Little Miss Float Wins First Place



CONGRATULATIONS - Miss Gorman - Stephanie Jobe and Little Miss Gorman - Kalyn Porter participated in the Cisco Folklife Festival, April 25th. Stephanie and Kalyn dressed authentically with the them of the festival. They brought home a 1st place win.



# CLASSIFIEDS

**DIRT WORK:** Dump Truck Service - Lot Preparation and Leveling - Driveway and Road Material - Sand - Topsoil. Reasonable. K. D. Boyd, 734-2122. 2-3-FNC.

IF ANYONE WOULD LIKE TO HAVE ANY YARD WORK DONE - PLEASE CONTACT RON STANDRIDGE AT 734-2961. 4-5-14P

**FOR SALE:** Large Refrigerator Air Conditioner. Works Good. \$75.00. Call 817-734-2473. 1-4-30 P.

**FOR SALE:** 3 side rolls approximately 1/4 mile long. Call 734-2237. 2-6-FNC.

**BABYSITTING:** I will be babysitting - days or nights or weekends in my home. Call Laneta at 734-2441. 2-4-30 P.

**GARAGESALE:** Saturday and Sunday, May 2 and 3, 8:00 til 7 - 325 3rd Street - 734-2696. Screen door, water cooler, fan, washer and dryer, lawn mower, edger, console color TV, Sharp VCR, antique Secretary desk, three antique oak chairs, Bug Shield for pickup, some tools, Clothes and Lots of Miscellaneous. 1-4-30 P.

**FOR SALE:** Variety Store Counters, Thread-Zipper Display Racks. Check Out Counter, Shelving. Phone 817-734-2013. 1-4-30 P.

**GARAGE SALE:** 602 N. Kent Street - Friday, May 1st and Saturday, May 2nd - Ron Childers & Buck Fosters. 1-4-30 P.

**BABYSITTING:** Do you need a babysitter? If So Call Mindy Laminack at 734-3263. After school and on Weekends. 1-4-30 P.

**GARAGESALE:** Le Bleu home at Kokomo-Friday, May 1 and Saturday, May 2nd. Furniture, wood stove, quilt tops, sewing material and Clothes - Lots miscellaneous. 1-4-30 P.

**NITA DANSBY REAL ESTATE COMPANY**  
Commercial Residential Farm Ranch  
108 S. Texas 893-6441

**401 N. Kent - 3 BR, 1 Bath, 1 Carport** Frame; Corner Lot; New Carpet; Extra Nicel Reduced to \$26,500.

**518 N. Kent - 3 BR, 2 Bath, 1 Carport** Frame & Brick; Very Spacious; Nice Neighborhood; Central Heat & Fresh Paint! Now \$26,500!

**CUSTOM BRICK - 4 BR, 2 1/2 Bath, 3 Carport** Brick on 15 Acres; extras include WBFP, total electric, hot tub, tree house, corral & Much More! Seller Will Consider All Reasonable Offers!

**4 BR, 3 Bath, 2 Garage Brick -** Located on 6 Acres; close in. Reduced to \$66,000!

**80 ACRES - 3 wells; 20% down; 10% APR; \$500 per A.**

**56.5 ACRES - S. of Gorman; Hwy. Frontage; MAKE OFFER!!**

**160 ACRES - S. of Hwy. 2921. Peanut Pdg.; 120 A. tillable. Terms to Qualified!**

**Seniors**  
See our fine selection of graduation supplies. **ECONOMICAL PRICES**  
**FAST SERVICE**  
Gorman Progress

**Town & Country REAL ESTATE**

**BARBARA LOVE, Broker**  
HIGHWAY 80 EAST  
817-629-1725  
EASTLAND, TX 76448

**NICE LOCATION** for this 3 BR, 1 3/4 bath brick on 2.25 acres. Cen. h/a, total elect. & more! ONLY \$45,000.00

**NEAT FAMILY HOME - 3 BR, 2 bath brick.** Some built-ins, cen. H/A

**REMODELLED 3 BR, 2 bath frame** on corner lot.

**82 ACRES:** Approx. 1/2 in cult., small tank. Owner will convey minerals.

**Real Estate**

**95+ ACRES, 2 BR Frame Home, Barn, Steel Corral, 3 Tanks, Some Timber, Co-op Water, East of Carbon, \$70,000.** - Good Terms - 20% Down.

**54.35 ACRES -** Most all Coastal - Fenced and Cross Fenced, Tank and well, 1/2 mile off pavement. \$750,000 Acre.

**47 A. Gorman Area - 50,000 lb. Peanut Quota, 23 A Coastal, 4 Irrig. Wells, Lake Pump, Side Roll, Buried Mainline.** \$40,000.00

**LOOK HERE: 10 A - M/L, Nice 3 Bdm. Brick Home, app. 1450' Living Area, Energy Efficient, Big Storage, Fireplace, Nice Shop, Fish Stocked Pond, 4 mi. Town, \$35,000.00**

**1.5 ACRES - M/L** between Gorman and Carbon, Clean 2 - 1 partly insulated home, big oaks, city water, storage bldgs, fine garden, just off Hwy. Yours for \$20,000.

**215 A M/L pasture, Lots Timber, 3 Ponds, Good Deer Hunting, Pavement, Some Coastal, Good Location. Only \$400,000 A. Terms.**

**COGBURN REALTY**  
We WANT Your Listings - Peanut Farms - Houses - Small and Large Acreages.  
893-6666 DE LEON, TX 1-16-FNC.

**HELP WANTED:** Full Time RN, LVNS and Nurses Aides. Apply in person at Canterbury Villa Nursing Home in Gorman. 6-20-FNC.

**FOR RENT:** Mobile home, fully furnished, 2 bedroom, close to school. Call 734-2578 or 893-2097. 1-17-FNC.

**DE LEON VARIETY DE LEON FLORAL SEARS CATALOG STORE**  
Open Monday thru Saturday 8:00 a.m. to 5:30 p.m. 10-29-FNC.

**SAVE ON CARPET:** Buy at Wholesale plus 10% and freight. CASH - NO STAMPS. W. H. Smith Department Store, De Leon, Tex. 5-26-FNC.

**CUSTOM DRAPERIES MADE:** No Labor Charge when fabrics, etc., are bought from our store. Free estimates. W. H. Smith Department Store, Phone 893-2135. 5-26-FNC.

**FOR YOUR SHOPPING NEEDS AND CONVENIENCE, STOP IN AT SEARS CATALOG AGENCY IN DE LEON OR CALL 893-2086. 11-21-FNC.**

**THE GORMAN PROGRESS**  
P. O. Box 68  
Gorman, Texas 76454  
Phone 817-734-2410 or 2411  
Publication Number 222780

**PUBLISHER:** Joe Bennett  
**ASST. PUBLISHER:** Lonnale Bennett  
**EDITOR:** Herman Bennett

**SUBSCRIPTION RATES:** By Mail in Eastland and Comanche Counties - 1 year - \$9.00; Outside Eastland and Comanche Counties but in Texas - 1 year - \$13.00; and Out of State - 1 year - \$15.00.

Any erroneous reflection upon the character, standing, or reputation of any person, firm, or corporation which may appear in the columns of the Gorman Progress will be gladly corrected upon being brought to the attention of the publisher.

Entered as 2nd Class Mail at the Post Office in Gorman, TX 76454, under the Act of March 3, 1978. Published Weekly at Gorman, Eastland Co., Texas 76454. Sec. Class Postage Paid at Gorman, TX 76454

**DISPLAY AD RATE**  
\$2.10 Per SAU COL INCH  
**CLASSIFIED ADVERTISEMENTS**  
.15 cents Per Word  
Minimum charge - \$3.00 per issue - CASH  
Charged - \$4.00 First 20 Words plus 15c each additional word. \$4.00 minimum charged. No Commission  
Additional 50 cents for Borders  
**ADVERTISING DEADLINE - TUESDAY NOON**  
Card of Thanks - \$3.00

An Extra Charge of 50 cents per issue will be added to Classified Ads for Tearshots and Billing.  
**THE GORMAN PROGRESS RESERVES THE RIGHT TO REFUSE ANY ADVERTISING.**  
**POSTMASTER:** Please Send Change of Address To: GORMAN PROGRESS, P. O. Box 68, Gorman, Texas 76454-0068

# SCHOOL MENU

## BREAKFAST

**MONDAY -** Oatmeal, toast, juice and milk.  
**TUESDAY -** Doughnuts, juice and milk.  
**WEDNESDAY -** Eggs, bacon, toast, juice and milk.  
**THURSDAY -** Muffins, juice and milk.  
**FRIDAY -** Pancakes, sausage, juice and milk.

## LUNCH

**MONDAY -** Hamburger casserole, salad, red beans, cornbread, apple crisp and milk.  
**TUESDAY -** Baked chicken, scalloped potatoes, green beans, hot rolls, fruit cocktail cake, milk.  
**WEDNESDAY -** Fish Nuggets, macaroni and cheese, English peas, fruit, tarter sauce, hot rolls and milk.  
**THURSDAY -** Pig-n-a-blanket, pork-n-beans, carrot and raisin salad, peaches and milk.  
**FRIDAY -** BBQ Bun, pickle spears, reslish, onion, French fries, ice cream and milk.

## 94th Annual TGFA Association

**Convention Held**

The 94th Annual Texas Grain and Feed Association Convention was held in Fort Worth, Texas, April 15, 18, 1992. This Convention featured an array of very informative speakers as well as a 115 booth Trade Show. Speakers represented national agriculture groups such as National Grain and Feed Association; private enterprises represented by the Santa Fe and Burlington Northern Railroads; and state regulatory agencies such as the Texas Department of Agriculture and the Texas Air Control Board. Individual topics covered included government regulations, railroad policies and procedures, Clean Air Act impact and the latest developments involving the North American Free Trade Agreement.

Officers elected at the Association business meeting include: **Guy Brady, Jr.**, President, Vista Trading Corporation, Houston, TX; **D. Presley Duke, Jr.**, First Vice President, Birdsong Peanuts, Gorman, TX; **Dr. Darrell Huck**, Second Vice President, ACCO Feeds, Inc., Seguin, TX. Those serving on the Board of Directors during the next year are **Jack Hamil**, Hi-Pro Feeds, Inc., Friona, TX; **Dr. J. W. Gossett**, Allied Feeds, Inc., Cuero, TX; **Ronnie Goldman**, Sinton Elevator and Storage, Inc., Sinton, TX; **Kenneth Winkles**, Kenneth Winkles Grain Co., Inc., Pecos, TX; **Clarence H. Mumme, Jr.**, Mumme's Inc., Hondo, TX; **James Rotramel**, Robinson Grain Co., Inc., Panhandle, TX; **James Roppolo**, Farmers Cooperative of El Campo, El Campo, TX; **Larry Bulaich**, Louis Dreyfus, Fort Worth, TX; **Bennie Curtiss**, Curtiss Grain, Inc., Mathis, TX; **C. M. Caraway, III**, C. M. Caraway & Sons, De Leon, TX; **Brannon Darnell**, Cargill, Inc., Amarillo, TX; **Craig Elkins**, Port Elevator, Brownsville, Inc., Brownsville, TX; **Fred Bursey, Jr.**, The Morrison Milling Co., Denton, TX.

# Donations Needed For Center Point and Brown Cemeteries

Center Point and Brown Cemeteries need help in the way of donations from friends and relatives of the following list. Please send your donations to P. O. Box 606, Carbon, Texas 76435 or to P. O. Box 585, Eastland, Texas 76448. The money collected will be used for mowing and other needs for the cemeteries which are both located south of Carbon.

The following in Center Point Cemetery: **W.J. and C.L. Lovell**, **A.W. and L.A. Maness**, **Sybbie Maness**, **Arlene Maness**, **G.S. and Z.M. Maness**, **M.R. White**, **E.A. White**, **C.R. White**, **David White**, **J.W. White**, **J.F. White**, **A.M. Caldwell**, **Frank Caldwell**, **J.L. Colard**, **W.S. and Gladys L. Carter**, **P.D. Low**, **M.A. Greer**, **W.U. Greer**, **G.H. Greer**, **L.L. Greer**, **D.F. Tyrone**, **J.E. Greer**, **Walton Walker**, **J.T. Craig**, **R. N. Key**, **James Craghead**, **M.G. Graghead**, **Wiley Williams**, **J.M. Orms**, **J.N. Maynard**, **W.T. and Ida C. Maynard**, **D. J. Lovell**, **Alva Lovell**, **Rhonda Lovell**, **U.D. Lovell**, **W.W. Kelly**, **Billy Kelly**, **Ida Jordan**, **George Kelly**, **Martha M. Kelly**, **A.A. Hurst**, **P.S. Hardy**, **T.C. Hard**, **R.T. Hardy**, and **M.J. and Bettye Maynard**, baby. Several others with no markings.

The following are in Brown Cemetery: **J.B. and Tiny Johnson** children, **John and Mary Hord**, **Luler J. O'Brien**, **Reed family**, **E.T. Gage**, **R.W. Gage**, **Ophelia R. Gage**, **Catharine Whatley**, **E. Whatley**, **Lech C. Flemming**, **Sallie Flemming**, **Martha V. Flemming**, **Elizabeth Ann White**, **J.C. Roberts**, **Horance D. Nelson**, **James H. Collins**, **Albert Carl Collins**, **Viola Curry**, **Lama Clack**, **John T. Brown**, **M.M. Brown**, **Pleze Edward Brown**, **G.R. Brown**, **C.C. Brown**, **Frencha Low**, and **Elizabeth C. Low**.

**At Riley Gardner Memorial Service Company**

**We Specialize In:**

- Permanent care cemetery lots
- Granite and cement curbing
- Stone cleaning and leveling
- Quality memorials
- Marble, granite & bronze vases.
- Cemetery lettering

**Dorothy Johnson is our new representative for the Gorman Area. If you need Dorothy, you may reach her at 817-734-2367.**

**COOL TREATS!**

**BREEZE® FROZEN YOGURT TREAT**  
Blended Fresh With Your Favorite Blizzard® Flavors!

**BLIZZARD® FLAVOR TREAT**  
Choose Delicious Candy, Fruit, or Nuts!

**99¢ each 12-oz.**

**HOT PRICE!**  
On Sale April 20 - May 3, 1992!

**DQ**

Good At Participating Dairy Queen Stores.  
© Reg. U.S. Pat. & Tm. Off. Am. D.Q. Corp. © Tx. D.Q. Op. Coun.

**Fullen Motor Company**  
305 East Main - Eastland, Texas - 629-2676

**BIG COUNTRY CHEVROLET DEALERS**  
THE HEARTBEAT OF AMERICA  
TODAY'S CHEVROLET

**USED TRUCKS**

<b>1991 CHEVROLET S10 CUSTOM TRUCK</b> EXTRA CLEAN - ONLY 21,000 MILES MUST SEE!!! <b>\$7,992.00</b>	<b>1991 CHEVROLET 3/4 TON SILVERADO</b> 4X4 EXTENDED CAB - EVERY OPTION 350 V8 - 4 SPEED <b>VERY NICE... \$15,950.00</b>
<b>1988 CHEVROLET 1/2 TON SPORTSIDE</b> 4X4 SILVERADO POWER EVERYTHING - LIKE NEW ONLY 41,000 MILES <b>NOW.... \$11,250.00</b>	<b>1990 CHEVROLET 1/2 TON SILVERADO</b> 350 V8 - AUTOMATIC w/OVERDRIVE POWER WINDOWS, LOCKS, TILT CRUISE AND CASSETTE - COME SEE! <b>NOW.... \$10,950.00</b>
<b>1989 CHEVROLET SWB EXTENDED CAB SILVERADO</b> - 350 V8 - AUTOMATIC POWER WINDOWS, LOCKS, TILT, CRUISE CASSETTE, ALUMINUM WHEELS CUSTOM CAMPER - ONE OWNER LIKE NEW <b>NOW.... \$10,950.00</b>	<b>1990 FORD BRONCO II XLT</b> EVERY OPTION - V6 - 5 SPEED VERY CLEAN <b>ONLY.... \$8,750.00</b>
<b>1989 CHEVROLET ASTRO CL</b> V6 - AUTOMATIC - FRONT & REAR AIR CONDITIONING - POWER WINDOWS LOCKS - TILT - CRUISE CASSETTE LOCALLY OWNED <b>NOW.... \$9,950.00</b>	<b>1990 PLYMOUTH VOYAGER VAN</b> V6 - AUTOMATIC 34,000 MILES - EXTRA NICE <b>ONLY... \$10,950.00</b>

*Help Support Eastland County Business...*

REMEMBER, IF YOU DO NOT SEE THE NEW OR USED VEHICLE ON OUR LOT YOU'RE LOOKING FOR JUST LET US KNOW AND WE WILL LOCATED ON FOR YOU WITHIN 2 DAYS IF AT ALL POSSIBLE.

*... Shop Eastland County*

**CALL COLLECT 817-629-2676. OPEN MONDAY - FRIDAY 8 A.M. TIL 6 P.M. CLOSED SATURDAY AND SUNDAY**

**WAYNE CHANDLER REAL ESTATE**  
802 W. Lubbock - Gorman, Tx 76454  
R. G. Wheat - Broker  
817-734-2782  
Business & Home Phone

**3 BEDROOM.** 1 bath, corner lot on Winkler and Highway 6. \$15,000.00

**2 BEDROOM.** 1 bath, large corner lot, fruit trees and garden spot on 5th street, a good buy @ \$15,000.00

**3 BEDROOM.** 1 bath, frame, w living areas, detached garage and storage w/6 lots on W. Lexington St., \$27,500.00

**215 Acres.** Wooded w/native pasture and some coastal, 3 tanks, fenced, Duster Highway frontage, \$400 per acre.

**48 ACRES -** M/L in native grass, fenced, \$425.00 acre.

**We Now Have a FAX PHONE**  
Available To  
The General Public  
At An Economical Cost  
THE GORMAN PROGRESS

**NOTICE!!!**

Individuals who have Used Appliances stored in Higginbotham's Warehouse, need to arrange to pick them up or they will be disposed of on the 1st of June.

3w

**SALYER CHIROPRACTIC CLINIC**  
Highway 6 East  
Dublin, Texas

**Complete Lab, X-Ray & Treatment Facility**  
All Insurance Accepted.  
Phone (817) 445-3317 or (817) 445-2205

**9.5% A.P.R.**  
**HOME REMODELING LOANS**  
No Application Fees and No Government Red Tape \$100 Total Closing Costs Upon Loan Approval, Up To \$25,000 Loan

**T. J. CLARK CONSTRUCTION CO., INC.**  
(817) 734-2755 P. O. Box 176 - 111 E. Roberts St. Gorman, Tx 76454

General Building Contractors - All Work Guaranteed - Custom Homes  
Remodeling - Commercial - Industrial - Farm - Free Estimates  
Financing - Design, Engineering and Plan Services



# FULLEN SERVICE CENTER

305 EAST MAIN P. O. BOX 629 EASTLAND, TEXAS 76448

INTERNAL CODE	SCHEDULED MAINTENANCE SERVICE	GENERAL MOTORS											COMMENTS OR ADD. SERVICES	
		3,000	6,000	12,000	18,000	24,000	30,000	36,000	42,000	48,000	54,000	60,000		GASOLINE ENGINES NORMAL CONDITIONS LOCAL AREA RECOMMENDATIONS
100009503	LUBE, OIL & FILTER CHANGE	19.95	19.95	19.95	19.95	19.95	19.95	19.95	19.95	19.95	19.95	19.95	19.95	RECOMMENDED EVERY 3,000 MILES
4480051514	WHEEL BEARING ADJUST & REPACK REAR WHEEL DRIVE ONLY - 2 WHEELS					49.95				49.95				
0000000000	DRIVE BELT INSPECT & ADJUST	FREE	FREE	FREE	FREE	FREE	FREE	FREE	FREE	FREE	FREE	FREE	FREE	RECOMMENDED EVERY 3-4,000 MILES
0000000000	AIR FILTER INSPECTION	FREE	FREE	FREE	FREE	FREE	FREE	FREE	FREE	FREE	FREE	FREE	FREE	AIR FILTER ADDITIONAL IF REQUIRED
2560183508	COOLANT SYSTEM FLUSH & REFILL - INCLUDES 2 GALLON COOLANT					43.95				43.95				
1295000004	TIRE ROTATION - INCLUDES FREE BRAKE INSPECTION	12.95	12.95	12.95	12.95	12.95	12.95	12.95	12.95	12.95	12.95	12.95	12.95	
3200279510	AUTOMATIC TRANSMISSION TRANSAXLE SERVICE					59.95				59.95				
0000000000	EXHAUST SYSTEM CHECK	FREE	FREE	FREE	FREE	FREE	FREE	FREE	FREE	FREE	FREE	FREE	FREE	
3600139514	ENGINE TUNE UP, SET TIMING, ADVANCE CHECK & SPARK PLUG REPLACEMENT - 6 CYL.					49.95				49.95				+ \$15.00 FOR 8 CYLINDER + \$15.00 FOR 4 CYLINDER
0000000000	THROTTLE LINKAGE CHECK	FREE	FREE	FREE	FREE	FREE	FREE	FREE	FREE	FREE	FREE	FREE	FREE	
	REPLACE WIPER, CHECK OPERATION OF WIPERS AND WASHER, AND FILL WASHER													
2200099507	DIFFERENTIAL SERVICE - DRAIN FLUID AND REPLACE WITH NEW DIFFERENTIAL FLUID					29.95				29.95				

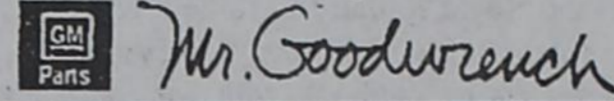
SOME RESTRICTIONS APPLY -- PRICES SUBJECT TO CHANGE WITHOUT NOTICE

## DIRTY OIL?

CLEAN UP AT FULLEN SERVICE CENTER

Nothing wears out your engine quicker than dirty oil. So take advantage of our **\$19.95** OIL, FILTER & LUBE SPECIAL.

For best results, we use genuine GM Goodwrench motor oil and AC filters, the products designed for your GM car or light truck. See your owner's manual for the right service interval for your vehicle.



**FULLEN SERVICE CENTER**  
305 EAST MAIN - P. O. BOX 629 - EASTLAND, TX  
SERVICE HOURS: MONDAY - FRIDAY 8:00 A.M. - 6:00 P.M.



PHONE (817) 629-2676  
SERVICE BY APPOINTMENT

## CANTERBURY VILLA NEWS

NANCY HENDRICKS - REPORTING

The Canterbury Villa birthday party will be Thursday, April 30th at 2 p. m. Honorees are Mary Stanley, Varona Taylor, Ola Walker and Hillery Seay. Relatives and guests are welcome to come and enjoy the party.

Those visiting Lucille Campbell were Ethel Weaver, Lane and Ernestine Campbell, Larry and Joy Campbell and Eunice Love.

On Saturday morning Rev. Joyce Dennis of Taylor Chapel Congregational Methodist brought the chapel for 10 residents.

Neva Ross cisted Cynthia Earles, Ola Walker and Mary Stanley.

On Sunday morning at 10 a. m. Rev. Ron Carroll of First Baptist Church taught the Sunday school lesson for 6 residents.

Varona Taylor went to Mr. and Mrs. Brad Lewis' for Easter. Guests were Wesley, Kevin and Meagan Lewis, Pauline Allen, Bonnie Cox, Billy, Kanda, Steve and Tracey Taylor.

At 2:30 p. m. on Sunday those coming from the First United Methodist Church were Rev. James and Lavelle Haynes, Sue Ann Tarver, Virginia Parr, Pat Hagood and grand children, Tommye Haile, Velma Bennett, Molly, Bill and Amber Fairbetter, Sarah Lewis and Emily Quan.

Those visiting Junior Fairbetter were Bill, Molly and Amber Fairbetter of Abilene, Velma Bennett and Virginia Parr.

Those coming from the Gorman Church of Christ at 4 p. m. on Sunday were Bro. T. A. Grice, Bro. and Mrs. Curtis Maness, Janda, Billy, Steve and Tracey Taylor, Juanita Files, Bud and Dee Smitty, Floydene Gilbert, Lorene Foster, Clara Mae Frossard, Georgie and Frankie Stacy, Dora Faye Brewer and Zina Simpson.

Those visiting Jess Hallmark were Jimmy, Laura, Vicki and Devin Hallmark of Brownwood, Becky and Melody Stockman of De Leon, Lori Minter of Breckenridge, Russell, and Wilma Cordell and Irene Hallmark.

Those visiting Garland Perry were Opal Mauney, Nona Bond, Era Maupin, Nella Vee Stewart of Desdemona.

We are sorry to report Pauline Love is a patient in the De Leon Hospital. We wish you a speedy recovery.

Jackie and Dorw Faye Simmons, Willo Rice, Joe O'Neal, Billy and Louise Taylor visited Henry Rice.

The residents enjoyed watching the Easter egg hunt across the street in the park on Saturday. 150 to 22 people were present.

Those visiting Gertie Leeper were

Lois Cate of Moran, Terry and Donna Tedford, Ethen Tedford of Fort Worth, Effie May Jones of Hobbs, N. M. Norma Tedford, Eunice Love, Joe O'Neal, May Quinn, Eddie Woodall, Paul Fannin, Bob Sanders, Jeremy and Zackie Sanders and Dorothy Pool of Austin.

Those coming for bingo on Monday were Dorothy Beaty, Gertie Leeper, Cynthia Earles, Ora Mae Atchison, Garnett Adams, Iola Johnson, Henry Rice, Jess Hallmark, Veno Hale, Garland Perry. Helpers were Devin and Irene Hallmark and Nancy Hendricks.

Those visiting Lorene Jay were Brent, Jean and Mayvis Lasater.

On Monday we had a letter writing session. Joy helped us write to Ervin Mieres and Kenneth Walker. They are former residents of Canterbury Villa.

Those visiting Cynthia Earles were Faye Huff and Pat Phillips of Desdemons.

On Tuesday morning 8 players enjoyed bingo games. Joy helped us.

Billie Stacy visited Buddy McClearen.

At 2:30 on Tuesday those coming for the singing were pianists Cleo Clement, Bernice Farley, Billie Stacy and Willo Rice; singers were Archie Skaggs, Marie White, Bernice Rodgers, Rev. and Mrs. L. C. Landers, Opal Mauney, Nona Bond, Lillie McCloud, Pat Cornwell, Melba Frasier, Nancy Hendricks, Lavern Kennedy, Velma Bennett, Joe O'Neal, Anna Rush, Estelle Erwin, Dorothy Roberts, Lenis Rice and Joy Campbell.

Pat Cornwell visited Ola Walker, Pauline Love, Mae Quinn and Ida Lewis.

We sure appreciate the bingo prizes from Mozelle Rhymes and Louise Hollywood.

Those visiting Mae Quinn and Cleo Clement were Chris Bibby of Baird, Glen and Shirley Clement, Jeff, Veronica, Kaci and Kimberly Seaton of Kokomo, Jerry Skaggs of Abilene, Bernice Farley of Rock Bluff, Marie White of De Leon, Archie and Georgie Fay Skaggs, Lester and Sue Seaton, Virginia Parr, Anna Rush, Estelle Erwin, Velma Bennett, Mayvis Lasater, Joe O'Neal.

Wednesday morning Rev. Ron Carroll of First Baptist Church gave the devotional for 23 residents.

Anna Rush and Estelle Erwin visited Fee and Emma Shugart, Lois Buchanan, Judy Phillips, Jess Roberts, Jess Hallmark, Lorene Jay, Ola Walker, Ida Lewis and Mae Quinn.

At 2 p. m. on Wednesday Irene Hallmark and Nancy Hendricks had bingo. Residents winning were Veno

Hale, Ora Mae Atchison, Emma Shugart, S. D. Gilmore, Jess Hallmark, Iola Johnson, Jess Richardson Gertie Leeper, Garlabd Perry, Laverna Kennedy, Dorothy Beaty, Henry Rice, Garnett Adams and Cynthia Earles.

Those visiting Laverne Kennedy were Charles Laymon, Minnie Murl White, Kenneth, Brenda and Dorothy Sears of Proctor, Anna Bell Farrow and Ina Mae Spruill of De Leon.

On Friday at 2 p. m. Irene Hallmark and Nancy Hendricks did bingo. Winners were Veno Hale, Jess Hallmark, Iola Johnson, Garnett Adams, Emma Shugart, Cynthia Earles, S. D. Gilmore, Henry Rice, Ora Mae Atchison, Gertie Leeper and Dorothy Beaty.

Those visiting Annie and Veno Hale were Mrs. Emma Bethany, Faye and Denzel Ables, Bill and Louise Taylor.

Lenis Rice of Carbon visited her sister, Iola Johnson, on Tuesday.

Those visiting Ora Mae Atchison were Jessie, Ruby Dale, Evonne Atchison, Chessley and Barbara Atchison of Fort Worth.

On Thursday 8 residents did balloons and stretch exercises.

Margaret Richardson of Wichita Falls and Nancy Moorehead of Archer City visited Ruby Vandergriff.

Those coming for Friday musical were Raymond Hart, Bernard and Ann Keith and Dewey Bailey, Ima Lee Burleson, Joe O'Neal and Steven Bailey.

Those visiting Emma Shugart and S. D. Gilmore were Bill and Oda Lee Thomas, Dixie Pack, Kristen Kelsey Menzel, Joe O'Neal, Pat Cornwell, Idell Warren and Modess Burgess.

## DESDEMONA NEWS

VONNIE GUTHERY  
PHONE 75802665

David and Donna Sinclair and Lori Stutsman of Wichita Falls visited the past weekend with Jesse and Bethel Clark.

Selina Walker celebrate her 2nd birthday on April 18 with a party hosted by her parents Larry and Melinda Walker. Cake and ice cream were served to Jerry ("Pa") and Pat ("Me Maw") Buckley, Jeff and Angela Buckley of Desdemona. Cindy Abbey and daughters, Dayna, Cassie and Latisha of De Leon and "PaPa" and Grannie Walker and Kevin of Ranger.

Rob Guthery of Irving and Bobby Joe Honeycutt of Pecos were visitors last Saturday at the Desdemona Monthly Musical.

Ida Dixon, age 94, former resident of Desdemona, was buried last week in Breckenridge. She is survived by two daughters, Johnnie Ruth Dixon Sparkman of Stephenville and Joan Dixon Reynolds of Breckenridge. She was a widow of Morris Dixon. Johnnie and Joan attended school in Desdemona.

Annie Collum, age 80, was buried Monday in the Howard Cemetery north of Desdemona. She is survived by one son, Bill Collum of Desdemona, and one daughter Pat Ronne of Weatherford. We send our sincere sympathy out to these families.

Evah Sparkman attend Church on Sunday night in Iredell with her grandson, Ricky and Selena Sparkman and family. The occasion was to see her great-granddaughter, Shandra Sparkman baptized. Others attending were Homer Joe and Johnnie Ruth Sparkman of Stephenville, who are grandparents of Shandra.

Selina Walker of Desdemona went with her grandparents - the

## CARBON NEWS

There was good attendance at the Baptist Church Sunday. Bro. Keith Henson brought a very good message on "Are you willing to really stand up for Jesus?" It gives us all something to think about, with all that's going on in our world.

We had several visitors at church. Ellen Henson and granddaughter, Kendall Parker from Breckenridge, Joyce Singleton from Comanche and Bob Jackson from Odessa.

Buster Johnson is still improving in the hospital in Abilene. We hope he gets to return home soon.

Elizabeth Sandlin had surgery Monday at Humana in Abilene. We wish her a speedy recovery.

Nelda and Duane McDaniel were host to a family birthday supper Sunday evening. The honorees were Shanna McDaniel of Stephenville, Wallace McDaniel of Clyde and Franklin Hines of Proctor. Others present were Wayne Davis of Cisco, Retha Franklin of Proctor, Paula McDaniel and Melinda of Clyde, R. Lee McDaniel of Carbon and Steve Livingston of Clyde.

Mary and James Donham of Huckaby and Chris Clinton and Travis of Cisco visited her mother Donnie Rone last Saturday.

Mildred Freed returned home last week after spending 10 days with her brother Lester Bell in Lufkin.

Obie and Cleo Duncan of Flatwood visited with J. L. and Mary McDaniel last Saturday. Hazel Campbell, Helen Krause and Billie Stacy visited Mary on Friday.

Bill and Kathy Sandlin, Heather, Clay and Cole were in Abilene Sunday afternoon to visit his mother Elizabeth Sandlin who was in Humana Hospital waiting surgery. C.O., Jimmy and Mae Sandlin visited on Monday.

Carbon Baptist Church had services at Canterbury Villa in Gorman Sunday afternoon. Those attending were Bro. Keith Henson, C. O. Sandlin, Euell Allison, R. Lee McDaniel, Gladys Hale, Billie Stacy, Cricket Walker, Truitt and Pat

Walker's of Ranger last Sunday to Stephenville to visit Great Grandmother Walker and to take her out for an early Mother's Day dinner.

Jane Guthery of Irving sent this reporter an obituary of James Brown, age 72 who passed away recently in Los Angeles, California. James was born in Desdemona and he was an actor best known as Lieutenant Rip Masterson in the 1950's television series "The Adventures of Rin Tin Tin". Do anyone in this are remember his James Brown? If so - please contact this reporter.

"Get Well Wishes" goes out to Mack "Red" Keith of Gorman - who is now a patient in the De Leon Hospital. Also to Bernard Keith who entered the hospital on Monday morning.

L. C. and Mary Lou Landers visited the weekend with their son Clifton Landers and family in Watauga.

Spruill and Hazel Campbell. The residents really enjoy the services.

Bob Jackson of Odessa visited with Heppy and Jo Nell Jackson and Dorothy Jackson and attended Church with them.

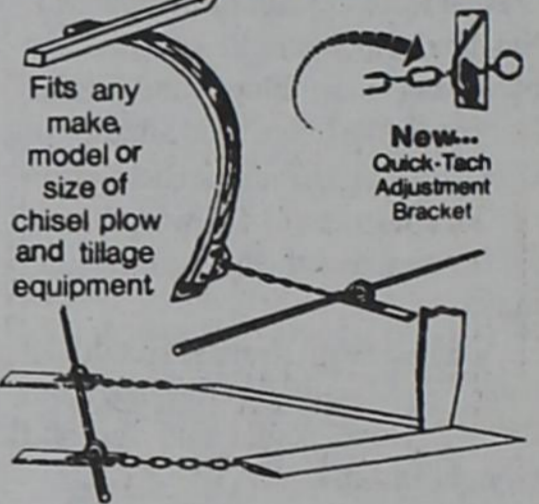
Joyce Singleton of Comanche visited her daughter Melinda and Keith, Keagan and Meagan Henson, also visited them were Keith's mother and niece Ellen Henson and Kendall Parker of Breckenridge.

Charles and Maxine Morgan spent the weekend in Imperial with their daughter Marla, Ande and Andrea Paulk.

Alvie, Linda, Adrienne, Stacia and David Allison, of Arlington visited with Euell and Jenoise Friday night and Saturday.

Collin and Hazel Campbell was in Cisco Saturday to attend the birthday celebration of Mabel Thetford.

## Rod Weeder Attachment



6 Row - \$437.00 4 Row - \$300.00  
Underwood Equipment  
Rt 1 - Box 49A - Gorman, Tx 76454

## \*\*\* You Can Get \*\*\* POSTAL SERVICE

AND  
FEDERAL JOBS

MEN & WOMEN 17 TO 62

High School Diploma not required.

Train for government exams for City, County, State and Federal Jobs.

Thousands of different jobs:

• CLERICAL • LAW ENFORCEMENT  
• POST OFFICE • INSPECTORS

WITH STARTING PAY OF OVER: **\$11.00/hr.**

Great Benefits Job Security

Civil Service Jobs Available Nationwide. Keep your present job while you prepare at home for Government exams.

Free literature to all who attend. Two hour Seminar will be held by:

State National Training Svc., Inc. at:

HOLIDAY INN (Stephenville),  
2865 West Washington at Hwy. 377,  
Tuesday, May 5th, 7:30 p.m. ONLY

(Bring Pen) (No Phone Calls) (No Children)

## MIKE LONG AUCTIONEERS AUCTION EQUIPMENT MIKE LONG AUCTIONEERS

**SATURDAY, MAY 2, 1992 10:30 AM**

6.5 miles South of Stephenville, 3.5 miles north of Dublin on U.S. 377-67

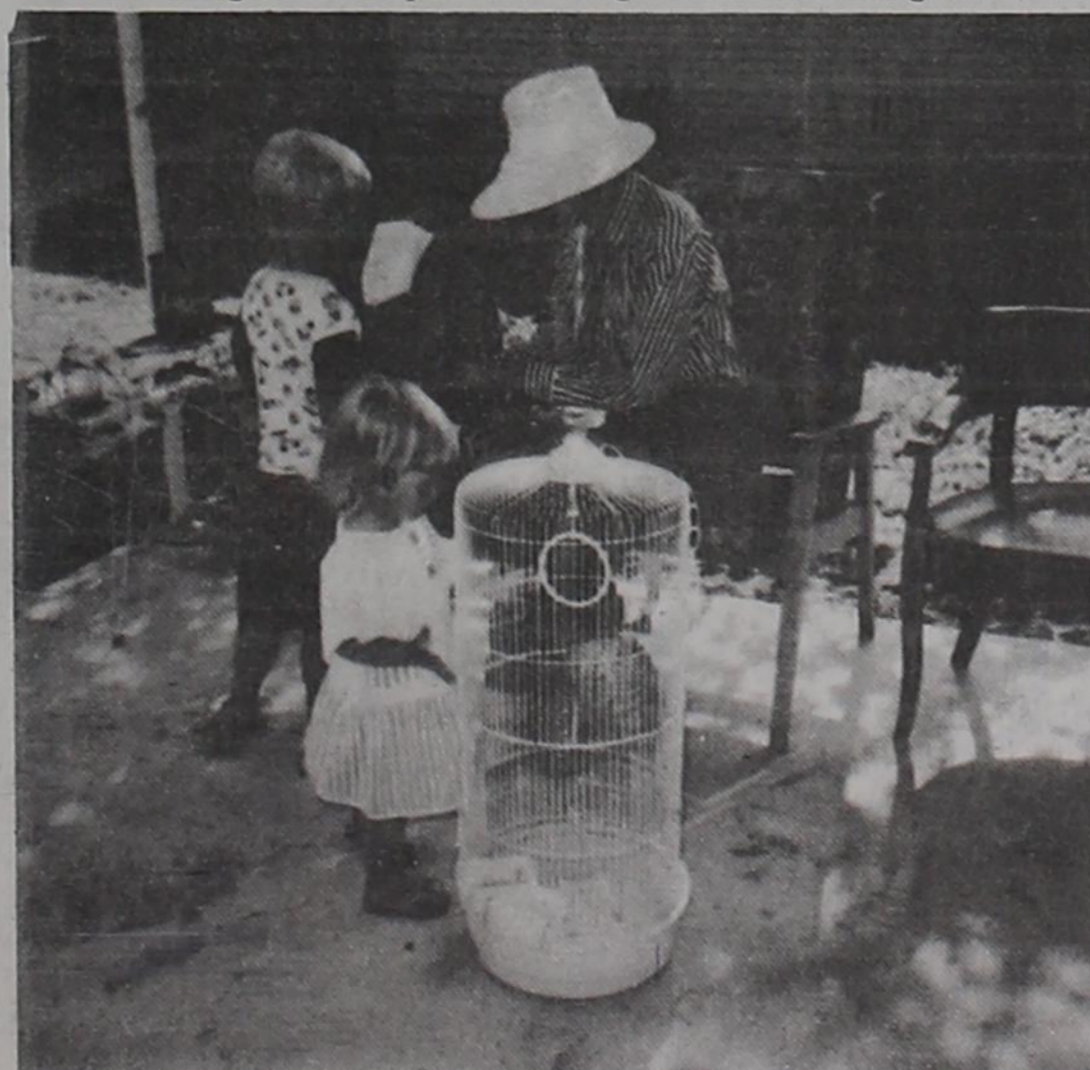
SELLING FOR: Banks, Consignees, and Local Farmers.  
For Information or consignment call: 1-800-299-0359

- |   |  |  |
|---|--|--|
| <b>TRACTORS</b>   | 1987 Lufkin 45' Float  | 4 Bottom Lister                                  |
| 4430 Quadrate Cab & Air   | 45' Tandem Axle w/3 Ramps  | 2-4 Row John Deere Flex 71 Planters              |
| 8600 Ford No Cab 18.4-38  | 45' Alum. Storage Box  |  |
| 301B John Deere Industrial Gas  | 20' Bumper Pull 3 Axle Back Hoe                                      | 2-2 Row Cultivators                              |
| 4320 John Deere Scyro-Range   | 18-4-38  | 2-2 Row Planters                                 |
| 70 John Deere L.P.G.  | 24' Gooseneck Trailer Tandem   | 6' Shredder                                      |
| D-17 A.C. Series IV Diesel  | Asle   | 2-5' Shredders                                   |
| 951 Ford L.P.G.   | <b>FERTILIZER - HAY - SILAGE - SPRIGGING</b>                         | 13 John Deere Offset                             |
| 602 M/M 3 Pt.   | Big Wheel Dry Fertilizer Spreader                                    | 21 John Deere 1100 3 pt. Field Cult. with Harrow |
| 1135 Massey Ferguson Cab & Air  | Detroit Diesel & Allison Trans.                                      | 12-3 pt. Woods Shredder                          |
| <b>TRUCKS, PICK-UPS &amp; TRAILERS</b>  | John Deere Frail Ensilage Cult. G.B. - C.B. 800 Gehl Silage Cult. G. | 10-5' X 10' Cattle panels                        |
| 1982 KW Conventional Cab 36' Sleeper 3406 Cat Engine 10 Speed 4 Speed Aux Budd Wheels | 6 Ton Tandem Fert. Distributor                                       | 15 Shank MF Chisel                               |
| 1980 Ford Conventional 36' Sleeper 400 Cummins 13 Speed Trans 11-24.5 Tires w/Wat Kit | Heaton 9' Mower Conditioner  | 4 Row Lilliston Rolling Cult.                    |
| 1978 Ford Supercab 4x4 400V8 4 Speed 3/4 Ton  | Bowtie 52" Spring Digger   | 1-10' Irrigation Pipe                            |
| 1967 Ford with 5 yd. Dump   | MF 130 Square Bailer   | 4 Row Cultivator                                 |
| 1978 Ford 3/4 Ton Flat Bed  | Heaton 1410 Hydra Swing Swather                                      | 3 pt. 4 Bottom Roll-over Mould-board             |
| 1970 Chev. 2 Ton 4/2 V8 - Winch - Fifth Wheel   | 510 John Deere Round Bailer  | 3-4-5 Bottom Mouldboards                         |
|   | John Deere 430 Swather   | 9 Shank Chisel Plow w/Cylinder                   |
|   | <b>EQUIPMENT</b>   | 3- New One Row Mouldboards                       |
|   | 20' Moline Folding Drag Tandem                                       | 12" 3pt./ Tandem Disc                            |
|   | 6' New Tandem Disc   | 13 Shank Chisel 3 pt.                            |
|   | 2- Danuser Post Hole Digger  | 3 pt. 5 Bottom Mouldboard                        |
|   |  | New 3 pt. Seeder                                 |

WE ARE AGENTS AND AGENTS ONLY and are not responsible for items not shown.

**Mike Long Auctioneers**  
1301 S Bridge Brady, TX 76825 (Texas License #6867)  
1-800-299-0359  
Terry Fields (893-6146)  
J.K. Woosley (445-4663)

Concession stand will be open serving food and drinks during the sale.



THURSDAY'S PET SHOW AND GARDEN PARTY - Clint and Tecia Jones with Ora Mae Atchison fixing radishes and Onions from our garden. Judy Newton's Finches are also shown.

## DON'T DRINK AND DRIVE

A Public Service Message from the Texas Highway Patrol Association

I would like to express in behalf of myself and my family, our sincere appreciation and thanks for everyone's vote, support and trust in me for Sheriff of Eastland County.

Thank You  
Sheriff Ronnie (R.B.) White



# KOKOMO NEWS

By Zelda Jordan

The Kokomo-Simpson Cemetery Association and Homecoming at Kokomo will be Saturday, May 2. The Cemetery Association meeting will begin at 11:00 a.m. at the tabernacle at the Simpson Cemetery. At the close of the meeting everyone will gather at the Kokomo Community Center for lunch and visiting with friends, neighbors, relatives and acquaintances.

The choir rendered the special music at the Kokomo Baptist Church on Sunday morning. Visitors were J. E. and Glenna Davis of Lake Leon and Vera Lylerla.

Delmon and Joyce Eaves spent the Easter weekend in Ennis with Randy and Deliah Eaves and Chris. Joining them there for a visit were Mark and Margaret Eaves of Mansfield, Bill and Paulette Black, D'Ann, Jamie and Megan of Cleburne, Randy's mother, Laura Gay, and his brother, Derron Lewis and daughter Magan.

Bro. Joe O'Neal attended the revival services at the Harmony Baptist Church on Sunday morning.

Bro. Joe O'Neal and Nancy Hendricks were visiting recently in Eastland with Daisy Wood and in Ranger with Sarah Tuggle.

Those visiting with Bro. Joe O'Neal were Gil and Molly Gaeta of Eastland, Buck and Pearl Anderson of Rising Star, Floyd and Elaine Burks of Lake Leon, Fred Smalley of Olden, Bob and Charlene Richardson of Gorman, David Brown, Claude Fuller and Ardith Pittman of Gorman.

Visitors with Nancy Hendricks were Era Maupin of Gorman, Ruth Bryant, Hope Joiner and Joe and Glynda Bond.

Bill and Wynelle McFalls of Houston and Arband Violet Burcham of Rising Star were recent visitors with Larry and Betty Strube.

Clifford and Doris Graham of Monahans and her sister, Thina of Wink came by for a visit with Delmon and Joyce Eaves on Monday.

Vernon and Deon Fields and Lindell Fields were in Abilene on Monday to visit with her father, Buster Johnson of Carbon, who is a patient in Humana Hospital. Fred and Delores Walker of Whitehouse

also visited with Mr. Johnson during the weekend. Buster was moved to a room from ICU on Monday. Deon and Delores remained in Abilene this week to be with their dad. Our prayers and get well wishes go out to Mr. Johnson, and we hope that he is well enough to come home very soon.

Glenn and Zelda Jordan and Bill and Glenda Priest of Abilene were in Portales, New Mexico during the weekend for a visit with Cindy, Kyle and Kayla Jordan and to help Kyle celebrate his 6th birthday. They also visited in Lubbock with Mr. and Mrs. Arvel Lewallen and granddaughter, Ally, and in Muleshoe with Jess and Laverne Winn.

### KYLE JORDAN HONORED ON 6TH BIRTHDAY

Kyle Brandon Jordan was honored with a birthday party at McDonald's in Portales, N.M. on Friday by his mother, Cindy Jordan. Guests enjoying the celebration of Kyle's 6th birthday, which was Saturday, April 25, were his kindergarten classmates and teachers at Stener Elementary School, his sister, Kayla Jordan, grandparents, Glenn and Zelda Jordan of Kokomo and an aunt, Glenda Priest of Abilene.

There was a clown to help with the games with children played and to serve the birthday cake, ice cream and orange drink. The party room was decorated with McDonald Happy Birthday balloons, and each child attending was given a balloon and other party favors. The children all enjoyed helping Kyle open the many nice gifts.

There was another celebration of Kyle's birthday on Saturday at the Jordan home in Portales when Cindy, Kyle and Kayla Jordan, Glenn and Zelda Jordan and Bill and Glenda Priest enjoyed a grilled steak cook-out and another birthday cake and homemade ice cream. The birthday cake, napkins and ice cream cups were decorated in Walt Disney characters. The cake was inscribed "Happy 6th Birthday Kyle" and had 6 candles.

A friend, Jimmy Parrish, came by for a visit and to wish Kyle a happy birthday also, and a cousin, Joe Miles,

## 4-H CLUB NEWS

EASTLAND COUNTY  
4-HERS WIN

Eastland County 4-Hers participated in the District 8 4-H Roundup contests at Tarleton State University. Winning honors were the following juniors: Tiffany Savage - Rising Star 4-H Club - 3rd Place - Clothing Education Activity; Janice Glover and Samantha Stephens - Gorman 4-H Club - 1st Place - Entomology Demonstration; Kory Collins - Rising Star 4-H Club - 3rd Place - Family Life Education Activity; Mark Glover - Gorman 4-H Club - 3rd Place - Focus on Health; Blair Bailey - Rising Star 4-H Club - 2nd Place - Horse Demonstration.

### 4-H SPECTRA APPLICATIONS DUE

4-Hers wishing to attend 4-H Spectra (as well as Primetime) are reminded to mail your pre-registration form and deposit to the Texas 4-H Center to arrive May 1st. All sessions will be filled on a first-come, first-served basis after May 1. 4-Hers are reminded that applications will be accepted by mail only.

with the U. S. Navy in Charleston, South Carolina, called for a telephone birthday visit. Kyle's granddad, Carl Thompson and an uncle, Carl Thompson, Jr. of Littlefield, visited with him on Thursday.

### Special State Benefits For Low-Income Medicare Beneficiaries

Income eligibility guidelines are higher this year for the Qualified Medicare Beneficiary (QMB) program, according to Glyn Hammons, district manager in Abilene. "If your income was too high to qualify last year, you may want to reapply because the income eligibility guidelines were raised to conform with the new national poverty guidelines," Hammons explained.

The QMB program is run by the Health Care Financing Administration, the federal agency that runs Medicare, and Texas Department of Human Services. Under QMB, state Medicaid programs were required to pay Medicare medical insurance (Part B) premiums, deductibles and copayments for certain elderly and disabled persons with low incomes and very limited assets.

Generally, to qualify for the QMB program in 1992, you must: be entitled to Medicare hospital insurance (Part A); have an annual income at or below the national poverty level; not have resources such as bank accounts, stocks and bonds in excess of \$4,000.00 (\$6,000 for a couple). The national poverty levels for 1992 are \$6,810 for an individual, \$9,190 for a family of two.

If you think you qualify for assistance under this program, you would file an application at Texas Department of Human Services. If you think you might qualify for assistance but do not have Medicare Part A contact a local Social Security office or call the Social Security toll-free number - 1-800-772-1213 - any business day from 7 a.m. to 7 p.m. to inquire about filing an application for Medicare Part A.

### PECAN MANAGEMENT WORKSHOP

May 1, 1992 5:00 p.m.

CHARLES WALKER ORCHARD  
(4 miles south of Eastland on Highway 6)

Guest Speaker:  
Larry Womack - Womack Nursery, DeLeon, Texas

Topics:  
Disease Control  
Insect Management  
Fertility  
Establishment  
Pruning

Refreshment Courtesy of Eastland County Pecan Growers Association

### ONE HOUR CEU GIVEN TO ALL PRIVATE APPLICATORS PASTURE BRUSH & FIRE ANT CONTROL DEMONSTRATION TOUR

May 6, 1992

Tour will begin on Highway 6 4 miles east of Carbon - 6 miles west of Gorman (Jewell Cemetery Road)

### ONE HOUR CEU GIVEN TO ALL PRIVATE APPLICATORS

8:00 a.m.	Registration	
8:30 a.m.	Biology & Habitat	Imported Fire Ants
	Application of Control Measures	Lester Scott Valent Chemical Company
9:15 a.m.	Prickly Pear	
	Mesquite	
	Control & Application Demonstrations	Mick Savage Dow Elanco
10:30 a.m.	B R E A K Refreshments Courtesy of Upper Leon SWCD	
10:45 a.m.	Post Oak Control & Demonstration	
12:00	Meet at Don Massengill Farm...west of Carbon...Follow signs	
	View Oak Control Demonstration performed two years ago	
12:30	L U N C H Sponsored by Dow-Elanco Agricultural Chemicals & Valent Chemical Company	

Please Pre-Register by May 4th by calling the Eastland County Extension Office 629-1093.

## NEW 1991 LEFTOVER UNITS

- 1991 Chevrolet Geo Prizm 4-Dr
- 1991 Olds Custom Cruiser S Wagon
- 1991 Olds 98 Regency Elite 4-Dr
- 1991 Olds Cutlass Supreme S/L 4-Dr
- 1991 Olds Calais S 4-Dr

## USED CARS

- 1991 Chev. Corsica 4-Dr, V6, Cruise, Tilt, 13,000 miles
- 1989 Olds Calais 2-Dr, 23,000 actual miles
- 1991 Chev. Geo Prizm 4-Dr, 11,000 miles
- 1991 Buick Century 4-Dr, fully loaded, 8,700 miles
- 1991 Geo Metro 4-Dr, Automatic, air, 12,000 miles
- 1991 Olds Cutlass Supreme, 2-Dr, fully loaded, 10,000 miles
- 1990 Chev. Lumina 4-Dr, fully loaded, 47,000 miles
- 1992 Olds Delta 88 LS 4-Dr, fully loaded, 8,000 miles
- 1992 Chev. Caprice 4-Dr, Fully loaded, 7,500 miles
- 1990 Olds 98 Regency Brghm 4-Dr, 30,000 miles
- 1991 Olds Calais 2-Dr., fully loaded, 18,000 miles
- 1991 Pontiac Grand AM LE 2-Dr., cruise, tilt, 18,000 miles
- 1989 Olds 98 Regency Brghm 4-Dr, loaded, 46,000 miles
- 1991 Chev Lumina 4-Dr, fully loaded, 14,000 miles
- 1991 Chev. Lumina Euro 4-Dr, fully loaded, 9,000 miles
- 1991 Chev. Cavalier R/S 4-Dr, 11,000 miles
- 1991 Buick Park Ave. 4-Dr, fully loaded, 39,000 miles
- 1991 Mitsubishi Eclipse Turbo 2-Dr, loaded, 29,000 miles
- 1984 Mercury Marquis 4-Dr, 64,000 actual miles
- 1986 Pontiac 6000 STE 4-Dr, Fully loaded, very clean
- 1992 Olds Silhouette, Fully loaded, 9,000 miles
- 1990 Olds Delta 88 4-Dr, fully loaded, 18,000 miles
- 1987 Dodge Omni, good economical work car
- 1990 Ford Crown Victoria, fully loaded, 11,000 miles
- 1986 Olds Clera Brghm 2-Dr, very clean, fully loaded
- 1989 Chevrolet Corsica, 4-Dr, 30,000 miles
- 1990 Chev Geo Prizm 4-Dr, good economical car
- 1988 Oldsmobile Ciera, 4-Dr, 62,000 miles
- 1988 Buick Regal, 2-Dr, 37,000 miles
- 1987 Chevrolet Monte Carlo, 2-Dr, 52,000 miles
- 1986 Oldsmobile Delta 88, 2-Dr, 42,000 miles
- 1978 Chev. Malibu 4-Dr, 75,000 actual miles
- 1986 Buick Skylark 2-Dr, very clean, good school car
- 1985 Chev. Camaro Z28, T-Tops, fully loaded, 38,000 miles
- 1985 Oldsmobile Toronado 2-Dr, one owner
- 1984 Cadillac Seville, very clean
- 1984 Oldsmobile Delta 2-Dr, fully loaded
- 1984 Pontiac Bonneville 4-Dr, good economical work car

## USED PICKUPS

- 1990 Chevrolet S10 Blazer, 4x4, 33,000 miles
- 1989 Chev. 1/2 ton Pup 350-V8, cruise, tilt
- 1988 Jeep Cherokee Limited, 4 wheel drive, fully loaded
- 1989 Mazda SR5 Pup, 32,000 miles
- 1990 Chev Astro Van, fully loaded, 40,000 miles
- 1989 Chev Suburban, fully loaded, 49,000 miles
- 1990 Chev. 3/4 ton, 350-V8, 4 speed, 46,000 miles
- 1989 Chev Astro Van, fully loaded, 42,000 miles
- 1986 Ford 1/2 ton, XLT V8, auto trans., only 67,000 miles
- 1990 Chev. Conversion Suburban, fully loaded, 46,000 miles
- 1989 Ford Aeorstar Extended, fully loaded, 42,000 miles
- 1989 Chev 1/2 ton Silverado, loaded, 24,000 miles
- 1986 Ford Ranger, economical work truck
- 1988 GMC Suburban, 58,000 miles
- 1987 Ford, 3/4 ton, 4-wheel drive, XL
- 1987 Ford Bronco II, fully loaded
- 1991 Jeep Cherokee 4-Dr, 4 wheel drive, 52,000 miles
- 1986 GMC Suburban, fully loaded, very clean
- 1991 Chev. Surburan, fully loaded, 32,000 miles
- 1986 Ford frac 3/4 ton Diesel, 4 wheel drive pickup
- 1986 Isuzu Trooper II, diesel, 4x4
- 1984 Chevrolet, 3/4 ton pickup, good work truck
- 1984 Chev 1/2 ton Silverado, diesel PUP, fully loaded
- 1983 Jeep CJ7, hard top, 39,000 actual miles
- 1983 Chev. S10 Blazer - very clean
- 1980 Chevrolet 1/2 ton, good work truck
- 1983 Chev. 3/4 ton, good work truck

# BAYER MOTOR COMPANY, INC.

218 E. Grand, Comanche,

915-356-2541

1-800-843-5230



## AGRICULTURE VIEWPOINT

By M. Davy Vestal

### COASTAL HAY PRODUCTION

Dr. George Alston, Agronomist with the Texas Agricultural Extension Service at Stephenville shared some interesting information Tuesday evening at an Extension sponsored Hay Quality meeting. Dr. Alston relayed that in recent fertility studies using nitrogen fertilizer in one lump sum, instead of commonly used three applications (Spring, after first cutting, after second cutting), coastal production has responded very favorably.

Alston states that "not only do producers realize an economic gain in reduction of application cost, they should benefit from the early season moisture availability for activation of the nitrogen".

Many times after the first cutting rainfall becomes short. With an early season application of a large amount of nitrogen the fertilizer is in the ground working for a quick regrowth.

Alston cautions producers not to try this procedure with Liquid N because of a burn and set back of the growth. "Ammonia Nitrate is preferred for this procedure over Urea as well" states the agronomist. Urea tends to activate with wet soils and turns to gas before it incorporates.

However, a good rain after fertilizing is just what the doctor ordered, but who can count on that.

For more information over coastal hay fertility, contact the Eastland County Extension Office.

### PECAN MANAGEMENT WORKSHOP

Scheduled for May 1, at 5:00 p.m. on the Charles Walker Orchard, 4 miles South of Eastland on Highway 6.

Larry Womack from De Leon will discuss Fertility, Insect and Disease Management, Establishment and Pruning. One hour of CEU will be given to all private applicators. This course is coordinated by the Texas Agricultural Extension Service, Eastland County Pecan Growers Association, Palo Pinto County Horticulture committee.

### PASTURE BRUSH AND FIRE ANT DEMONSTRATION TOUR

The Eastland County Extension Forage and Livestock Committee along with the U.S.D.A. Soil Conservation Service is conducting a demonstration and tour over mesquite, prickly pear, post oak